

Holden Commodore

VL Series
Parts Catalogue – Illustrations

Holden Calais

Holden's Service Parts Operations. Division of Holden's Motor Company.

A Holden Publication

HOLDEN & WISE
QUALITY SERVICE & PARTS



HOLDEN COMMODORE AND HOLDEN CALAIS

'V' SERIES PARTS CATALOGUE ILLUSTRATION SECTION 1986/-

ISSUED: APRIL, 1987.
CATALOGUE No. M39542
I.S.B.N. 0 86836 036 8
PRINTED IN AUSTRALIA

**COPYRIGHT — GENERAL MOTORS-HOLDEN'S
SALES PTY LTD (INCORPORATED IN VICTORIA)
REPRODUCTION IN WHOLE OR IN PART
PROHIBITED WITHOUT WRITTEN APPROVAL**

INTRODUCTIONSERIES/MODEL IDENTIFICATION
ILLUSTRATION INDEX

CHASSIS

ENGINE & CLUTCH	0.000
COOLING — GRILLE — OIL SYSTEM	1.000
ENGINE ELECTRICAL — CHASSIS WIRING — EXTERIOR LAMPS	2.000
FUEL — EXHAUST — CARBURETION	3.000
TRANSMISSION	4.000
BRAKE CONTROL — BRAKE OPERATING	4.500
REAR AXLE — WHEELS	5.000
FRONT SUSPENSION — STEERING	6.000
FRAME — SPRINGS — SHOCK ABSORBERS — BUMPER BARS	7.000
FRONT END SHEET METAL — HEATER	8.000
AIR CONDITIONING — RADIO — INSTRUMENT CLUSTERS	9.000

BODY

WINDSHIELD — WIPERS & WASHERS — MIRRORS — CONSOLES — INSTRUMENT PANEL HARDWARE — DOORS	10.000
REAR GLASS — SEAT PARTS — INTERIOR LAMPS	11.000
BODY MOULDINGS — SHEET METAL	12.000
BODY WIRING	13.000
INTERIOR TRIM — SEAT BELTS	14.000
REAR SEAT TRIM — CARPETS	15.000

SPECIAL NOTICES TO PURCHASERS

AVAILABILITY OF SERVICE AND PARTS AFTER WARRANTY

Holden's Motor Company and General Motors-Holden's Sales Pty. Ltd. have franchised dealers in many parts of Australia for the sale of service parts and the provision of service to owners of HMC's products. Every endeavour is made to ensure that such dealers carry adequate stocks of service parts and are equipped to provide satisfactory service, but neither Holden's Motor Company nor General Motors-Holden's Sales Pty. Ltd. makes any promise that after the expiration of the warranty such parts or service facilities will be available, or available at any specific location or at any particular time.

UNAUTHORISED STATEMENTS IN RELATION TO HMC PRODUCTS

No Holden dealer or other person is authorised or permitted to give or make any statement assertion or undertaking in relation to the quality performance characteristics descriptions or fitness for any purpose of any HMC product or in connection with the supply of any HMC product, which is at variance with any written statement assertion or undertaking on any of these subjects given or made by Holden's Motor Company or General Motors-Holden's Sales Pty. Ltd. in its published sales literature, and neither company accepts any liability for any such unauthorised action.

WARRANTY ON HMC REPLACEMENT PARTS

Holden's Motor Company warrants in respect of HMC parts and accessories required as replacement parts, that it will make good by repair or at its option by replacement any defect occurring in any such HMC parts and accessories within 3 months from the date of acquisition or in the case of a HMC part or accessory which has been installed in a vehicle by a Holden Dealer or Service Dealer before such vehicle has travelled a distance of 20,000 kms from the date of installation, whichever first occurs.

Maintenance items such as filters, spark plugs, wiper blades and brake pads/linings will require replacement as part of normal vehicle maintenance. Such replacements are not the subject of this Warranty.

This warranty is in addition to the statutory rights and remedies given to consumers.

Holden. Australia's Driving Future.



SPECIAL NOTICE TO PARTS PERSONNEL

PARTS, KITS AND MATCHED SETS

The assistance of dealer's staff should be readily available to customers so as to promote their selection of replacement parts of the right kind and quantity.

Certain parts are marketed individually, others are sold as a component of a kit as well as individually. This fact should always be made known to a customer whether he asks for a kit or for a separate part.

In some cases, safety or good engineering practice requires that a number of related parts be replaced at the same time. In such cases, the parts are marketed only as a kit.

Where careful selection of co-operating parts is necessary, these parts are sold only as a matched set.

In every case where a service part is not made available individually, the reason for its being marketed in some other way should be explained to the customer.



INTRODUCTION

This **HOLDEN CALAIS & HOLDEN COMMODORE** Parts Catalogue has been compiled for the purpose of Locating, Identifying and Ordering Replacement Parts.

All data and specifications contained in this publication are based on the latest product information available prior to printing.

Holden's Motor Company and Holden's Parts & Accessories reserve the right to make changes at any time without notice in Data, Specifications, Materials, Models and Body Styles.

CONTENTS

This Catalogue is divided into **TWO** separate sections which are arranged as follows:-

■ ILLUSTRATION SECTION

■ INTRODUCTION

- Group System & How To Locate Parts
- Base Vehicle Equipment
- Assigned Engine Codes and related Data
- Power Train Combinations
- Optional Equipment & How To Interpret
- Replacement Parts Interpretation
- Interior Trim

■ SERIES/MODEL IDENTIFICATION

■ PRODUCTION OPTION AVAILABILITY

■ ILLUSTRATION INDEX

■ CHASSIS ILLUSTRATIONS - Groups 0.000 thru 9.988

■ BODY ILLUSTRATIONS - Groups 10.001 thru 15.520

■ TEXT SECTION

■ ACCESSORY LISTING

■ ALPHABETICAL INDEX

■ CHASSIS TEXT - Groups 0.000 thru 9.988

■ BODY TEXT - Groups 10.001 thru 15.520

■ NUMERICAL INDEX

■ SUGGESTIONS AND OMISSIONS

KEY SYMBOLS USED TO DENOTE CHANGES *

\$ - New Parts

- Part Number Changed - *Previous Number shown in Brackets.*
Part Number Reinstated - *Previously shown in Brackets.*
Part No Longer Available or No Longer Serviced.
Previous Number shown in Brackets for referencing purposes.

© - Description, Series/Model Usage or Quantity Revised.
Serial Number Range Added or Revised.
Additional Entry.

* NOTE:

Every Part added to, or amended in this catalogue, Text Section, for the first time will be identified by a Symbol preceding the entry. Symbols used will be dropped in subsequent issues enabling Parts Personnel to identify changes to each update published.



GROUP SYSTEMS AND HOW TO LOCATE PARTS

The Catalogue Text Section is assembled in Catalogue Group sequence, however, it should be noted that some items have been relocated into different groups in line with grouping established by the Corporation for the world car concept. Reference is made to the revised group under group heading previously used.

The Group System operates briefly as follows:-

Main units of the vehicle are identified by the Numeral preceding the Decimal. i.e.

0	ENGINE
1	COOLING And OILING
2	ELECTRICAL
3	FUEL SYSTEM

Replacement parts are listed in this Parts Catalogue under 16 MAJOR GROUPS as listed on the CONTENT PAGE.

Individual parts are assigned a Prime Group Number, the first numeral of the group identifies the main unit with which it is affiliated. Following the decimal is the Sub-Group Number, under which all parts of the same name and function are listed, a further suffix is used in the ENGINE & TRANSMISSION groups to distinguish major assembly types, e.g. Manual and Automatic transmissions.

For example, Group **0.519M** Camshaft. The '0' denotes that it is an Engine Part, '519' the sub-group where all Engine Camshafts are listed, 'M' identifies the group as applying to the Six Cylinder Engine.

Related parts may also be found in the same group. Within each Group, parts are listed by Part Name, Description, Series, Model and Body Style, LH (Left Hand) or RH (Right Hand) Side, qualifying Note Number (characters are **NOT** prefixes to the part number and **MUST NOT** be quoted as such), Part Number and Quantity used per vehicle.

To locate the listing of a Part, firstly determine the Vehicle Series and Model (Identification Plates are located on subsequent pages) and refer to the Catalogue under the Group Number identifying it, which may be determined by using one of the following methods:-

1. ILLUSTRATIONS

Consult Catalogue Illustration Section - To establish Noun Name and Group Number for part sought, which in turn will refer to the Part or Assembly required in the Catalogue Text Section.

2. ALPHABETICAL INDEX

Consult ALPHABETICAL INDEX, located at the FRONT of the Catalogue TEXT SECTION, which lists Parts by Nouns and descriptive Names and refers to the exact Group Number where all Parts of a similar kind may be found. If Name of desired Part is not readily found in the Index, a co-related Part Name will suggest approximate location.

3. NUMERICAL INDEX

Consult the NUMERICAL INDEX, located at the BACK of the TEXT SECTION, if a Part Number is known, and use its Catalogue Group Number to locate a similar part, or be directed to the approximate location for co-related Parts.

NOTE:

- Service Part Numbers are assigned to individual parts that make up an assembly used in the production of a vehicle, although certain items may not be listed, attaching parts may be included in packages with the major assembly.
- Right Hand and Left Hand parts are so designated from the drivers position when seated in the vehicle.
- The Handed Parts Rule 'Even numbers for Right Hand parts, Odd numbers for Left Hand parts' no longer necessarily applies.



"V" SERIES PARTS CATALOGUE

DIMENSIONS

When using the dimensions and other data shown in the Description Column, the following should be noted:-

METRIC - Bolt dimensions are expressed in millimetres as follows:-

1st dimension - Diameter.

2nd dimension - Thread Pitch - *Distance from crown of one thread to crown of next thread.*

3rd dimension - Length under head.

OVERALL LENGTH - 'O.L.'

Refers to the total length of a part measured over the longest dimension. An irregular shaped piece is measured over the longest dimension regardless of contours and bends.

DEVELOPED LENGTH - 'Dev. Length'

Refers to the total length of a part such as a tail pipe or fuel pipe measured as though the pipe were straightened out.

'I.D.' refers to Inside Diameter

'O.D.' refers to Outside Diameter

'O/S' refers to Oversize

'U/S' refers to Undersize.

ILLUSTRATIONS

Illustrations are included to assist in the identification of Parts, but as some parts which perform a similar function vary in detail of design etc., **all illustrations should be regarded as typical.** Views of Assemblies/Sections are exploded, all visible Parts are referenced by number to show the Part Number and Group. Therefore, once a Part is located in an illustration, it may be positively identified by referring to the Group in which it is listed.

SERVICE PART NUMBER QUALIFICATIONS

In some instances, certain Parts appear in both the Text and Illustration Sections as:-

N.L.A. - No Longer Available

N.L.S. - No Longer Serviced

N.S. - Not Serviced

N.S.S. - Not Serviced Separately

T.B.A. - To Be Advised

NOTE:

Unless items are in current production, as a rule they cannot be obtained from P&A.

Refer TEXT SECTION for listing of Abbreviations used in this catalogue.



"VL" SERIES

BASE VEHICLE EQUIPMENT - DOMESTIC

The following chart describes Base Vehicle Equipment:-

BODY STYLE	MODEL		No. OF DOORS	ENGINE	TRANSMISSION		REAR AXLE RATIO : 1	TYRES	WHEELS
	CODE	NAME			TYPE	SHIFT LOC.			
SEDAN	8VK19	COMMODORE 'SL'	4	3.0 EFI	5 SPEED MANUAL	FLOOR	3.45	P185/75HR14	6.0JJ x 14 STEEL
STATION WAGON	8VK35	COMMODORE 'SL'	5	3.0 EFI	5 SPEED MANUAL	FLOOR	3.45	P185/75HR14	6.0JJ x 14 STEEL
SEDAN	8VL19	COMMODORE BERLINA	4	3.0 EFI	4 SPEED AUTOMATIC	FLOOR	3.45	P185/75HR14	6.0JJ x 14 STEEL
STATION WAGON	8VL35	COMMODORE BERLINA	5	3.0 EFI	4 SPEED AUTOMATIC	FLOOR	3.45	P185/75HR14	6.0JJ x 14 STEEL
SEDAN	8VX19	CALAIS	4	3.0 EFI	4 SPEED AUTOMATIC	FLOOR	3.45	P205/65HR15-SL	6.0JJ x 15 ALLOY

ENGINE DATA

	PFI	EFI	EFI TURBO	V8
ENGINE DESIGNATION	2.0	3.0	3.0	5.0
PISTON DISP. NOM. - cc	1998	2962	2962	4987
COMP. RATIO : 1	9.5	9.0	7.8	8.5
NUMBER OF CYLINDERS	6	6	6	8
BORE/STROKE - mm	78 x 69.7	86 x 85	86 x 85	101.6 x 76.835
TAXABLE H.P. RAC or SAE		27.5	27.5	51.1
POWER K.W. DIN @ RPM	95 @ 5600	114 @ 5200	154 @ 5200	122 @ 4400
TORQUE Nm DIN @ RPM	180 @ 4000	247 @ 3600	319 @ 3600	323 @ 3200



"VL" SERIES

POWER TRAIN COMBINATIONS

The following charts describe Power Train Combinations:

ENGINE		TRANSMISSION		REAR AXLE		MODEL AVAILABILITY
TYPE	P/OPT.	TYPE	P/OPT.	RATIO : 1	P/OPT.	
2.0 litre PFI	LC6	5 Speed – Manual	ME7	4.11	GN9	ALL
		4 Speed – Automatic	ML4			
3.0 litre E.F.I.	LF1	5 Speed – Manual	MF5	3.45	GM3	ALL
		4 Speed – Automatic	ML4			
3.0 litre E.F.I. Turbocharged	LW5	5 Speed – Manual	MX7	3.45	GM3	ALL
		4 Speed – Automatic	MS1			
5.0 litre V8	LV2	5 Speed – Manual	M39	3.08	GU4	ALL
		4 Speed – Automatic	M40			

TRANSMISSION RATIOS

GEAR	5 SPEED MANUAL				3 SPEED AUTO M40	4 SPEED AUTO	
	With LC6 ME7	With LF1 MF5	With LW5 MX7	With A9L M39		With 2.0 ltr ML4	With 3.0 ltr ML4
	1ST	3.59 : 1	3.321 : 1	3.580 : 1	2.95 : 1*	2.31 : 1	2.84 : 1
2ND	2.05 : 1	1.902 : 1	2.077 : 1	1.94 : 1	1.46 : 1	1.54 : 1	1.458 : 1
3RD	1.36 : 1	1.308 : 1	1.360 : 1	1.34 : 1	1.00 : 1	1.00 : 1	1.000 : 1
4TH	1.00 : 1	1.000 : 1	1.000 : 1	1.00 : 1	---	0.68 : 1	0.686 : 1
5TH	0.83 : 1	0.759 : 1	0.760 : 1	0.73 : 1	---	---	---
REV	3.65 : 1	3.382 : 1	3.363 : 1	2.76 : 1	1.85 : 1	2.40 : 1	2.182 : 1



OPTIONAL EQUIPMENT AND HOW TO INTERPRET

As optional equipment which includes items such as Transmissions Rear Axles etc., together with alternate differences exist, has been achieved by stipulating the type of equipment against the specific part. Familiarity with Option Numbers may assist in determining correct parts required. - Refer Production Option Availability Code Listing.

The method used to indicate major parts or equipment is as follows:-

TRANSMISSION

- (M)** - Manual Transmission. - Further qualified as necessary.
- (A)** - Automatic Transmission. - Further qualified as necessary.

BRAKES

- Rear Drum Brakes** Drum Brakes on Rear Wheels.
- Rear Disc Brakes** Disc Brakes on Rear wheels.

BODY

- Body Style Code** 19 Sedan - 4 Door 6 Window.
- Body Style Code** 35 Station Wagon.



"V" SERIES PARTS CATALOGUE

REPLACEMENT PARTS INTERPRETATION

Stampings and Plates attached to Passenger vehicles display coded information which could be significant to parts interpretation. It is essential when compiling Warranty Claims or Product and Field reports, that the Vehicle Identification Number (V.I.N) be quoted in-conjunction with the identification number of the component affected.

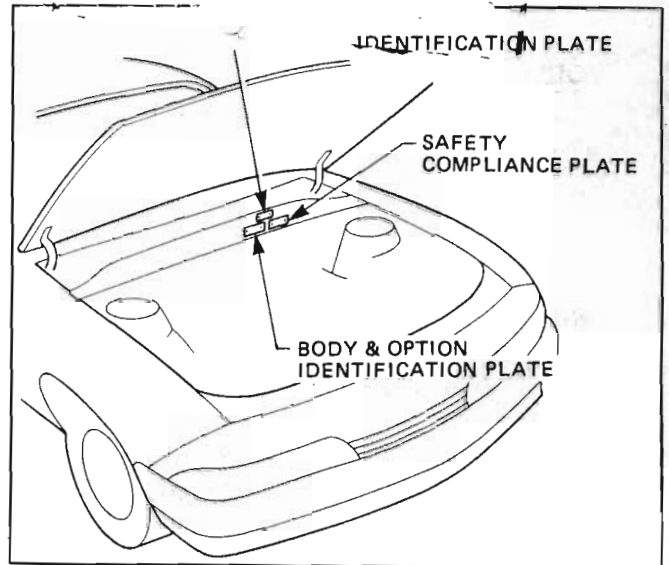
LOCATION OF IDENTIFICATION PLATES

Plates are attached as follows:-

"VL from January 1986.

To the upper left hand face of the Dash Cowl Panel, in the engine compartment.

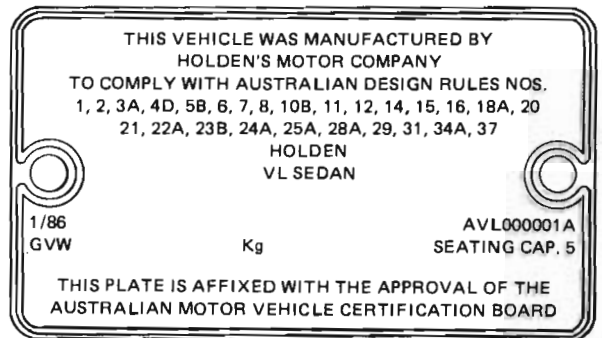
1. SAFETY COMPLIANCE PLATE.
- LH Side Lower
2. VEHICLE IDENTIFICATION PLATE.
- Upper Centre
3. BODY IDENTIFICATION PLATE.
- RH Side Lower



SAFETY COMPLIANCE PLATE

(Not Applicable to Export Vehicles)

Plate stamped with the following information:-
AUSTRALIAN DESIGN RULE NOS. (A.D.R)
VEHICLE MAKE - HOLDEN
VEHICLE MODEL NAME AND STYLE
MONTH AND YEAR OF MANUFACTURE
VEHICLE SERIAL NUMBER
SEATING CAPACITY OF VEHICLE





REPLACEMENT PARTS INTERPRETATION (Cont'd)

BODY IDENTIFICATION PLATE

Plate stamped with the following information:-

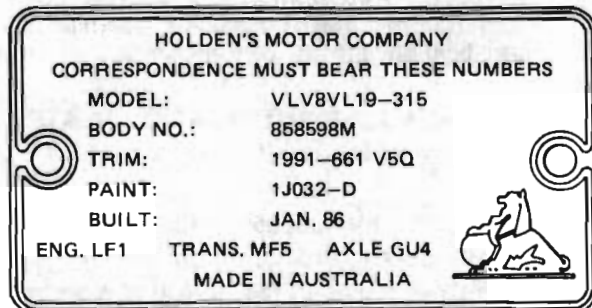
MODEL

Combination of Letters & Numbers identifying the Model & Body Style

BODY NO.

Reference Number followed by Assembly Plant suffix:-

- A** - Adelaide
- M** - Melbourne
- NZ** - New Zealand



TRIM

Interior Paint and Trim colour combinations:-
Trim is identified in this Parts Catalogue by the last 3 characters of the code, and where necessary a Production Option Code.
eg. 65I XT8 ie. Sandalwood with Leather trim.

PAINT

HMC reference number with paint Vendors code
Single Tone units - Complete Body eg. 1F086-D

BUILT - Month & Year

The Date of Manufacture by calender month & year in which the body shell & power train sub assemblies are conjoined & the vehicle is driven or moved from the production line.

PRODUCTION OPTION CODES

Including POWER TRAIN:-

Engine, Transmission & Rear Axle.
For example:- **LF1 MF5 GM3.**
Identification option codes are only used when components differ from those allocated as standard to a particular model.

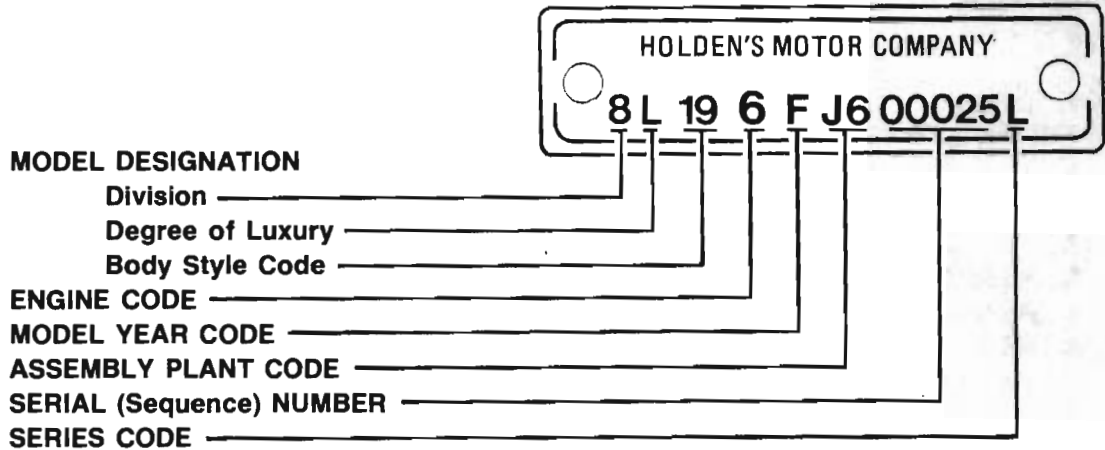


REPLACEMENT PARTS INTERPRETATION (Cont'd)

VEHICLE IDENTIFICATION NUMBERING SYSTEM

The Vehicle Identification Numbering System (V.I.N) is based on the uniform Car Model Designation System. The reason for this is to identify the vehicle in one coded series of characters.

The significance of these characters or blocks of characters is explained below, using as an example identification number **8 L 19 6 F J6 00025 L**.



MODEL DESIGNATION

Division - 1st Character - **8** - Standard Numeral allocated to HMC

Degree of Luxury - 2nd Character - **L** :-

VL SERIES

K - COMMODORE "SL" **L** - COMMODORE "BERLINA" **X** - CALAIS

Body Style Code - 3rd & 4th Character - **19** :-

19 - Sedan **35** - Station Wagon

ENGINE CODE

5th Character - **6** - Engine Identification Code.

6 - 3.0E **8** - 3.0ET **J** - 5.0 Litre

MODEL YEAR CODE

6th Character - **F** - Identifies Model Year.

This Letter changes 1st September each year & relates to GM Internal Operations Only:-

F - 1986 **G** - 1987 **H** - 1988 etc.

ASSEMBLY PLANT CODE

7th & 8th Characters - **J6** - Australian Assembly Plant Identification Code:-

J1 thru **J9** - Melbourne (Dandenong)

L1 thru **L9** - Adelaide (Elizabeth)

SERIAL (Sequence) NUMBER

9th to 13th Character - **00025** - Sequential Production Serial Number.

NOTE: This designates the Serial Unit Number at each Vehicle Plant, starting at (00001) and continues in Numerical Sequence regardless of vehicle type.

SERIES CODE

14th Character - **L** - HMC Code Designation for each

Model Programme. e.g. 'VL'.



REPLACEMENT PARTS INTERPRETATION (Cont'd)

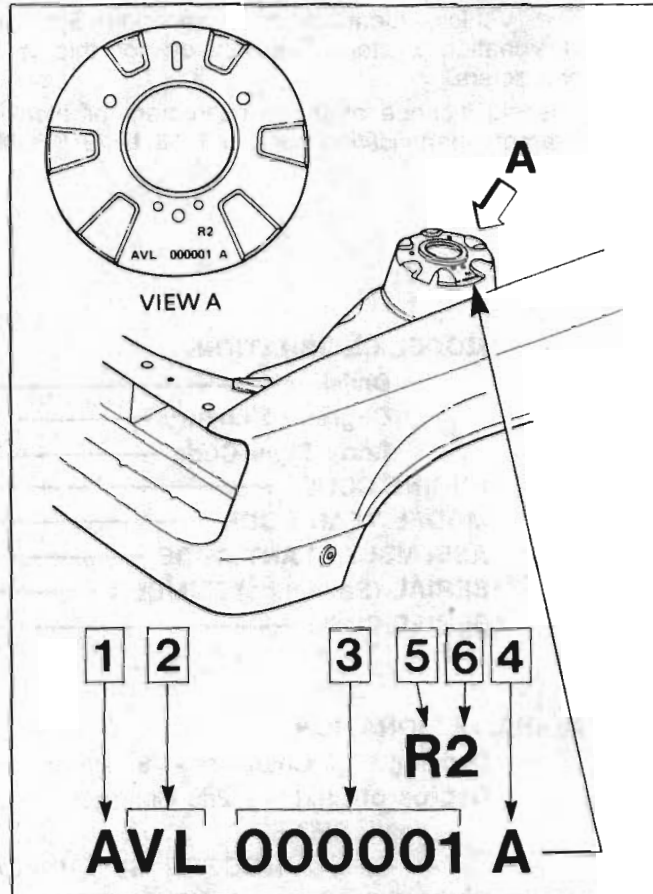
VEHICLE SERIAL NUMBER

Locations for Vehicle Serial Numbers are as follows:-

"VL"

Outer upper face of the Right Hand Wheelhouse Panel reinforcement.

1. DESIGN RULE COMPLIANCE LETTER
A for Start of Production changing to **B, C, etc.** with introduction of additional Design Rules.
2. VEHICLE SERIES.
3. ASSEMBLY PLANT SERIAL NUMBER.
4. ASSEMBLY PLANT IDENTIFICATION.
5. REQUIREMENT IN EVENT OF SERIAL No. DUPLICATION.
6. REQUIREMENT IN EVENT OF SECOND OR FURTHER SERIAL No. DUPLICATION.





REPLACEMENT PARTS INTERPRETATION (Cont'd)

ENGINE SERIAL NUMBER IDENTIFICATION

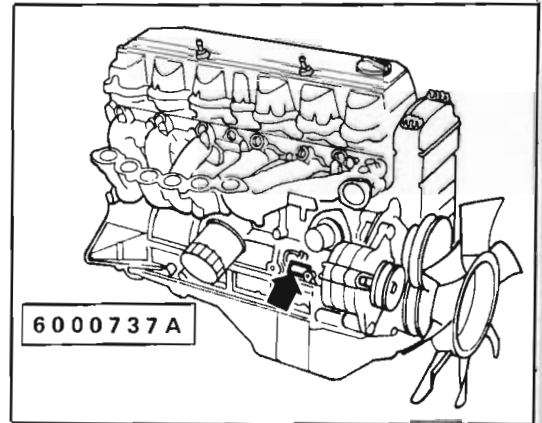
Engine SERIAL numbers provide coded information which could be significant to parts interpretation.

3.0 LITRE ENGINE - Production Options LF1 and LW5

Location:

The Serial Number is stamped on a pad which is located above the RH side engine mounting.

The numeral suffix 6 or 8 stamped as part of the serial number identifies the engine as an Original Equipment Assembly Installed in a HMC vehicle assembly plant.



PRODUCTION OPTION NO.	ENGINE TYPE	SUFFIX NUMERAL
LF1	3.0E	6
LW5	3.0ET	8

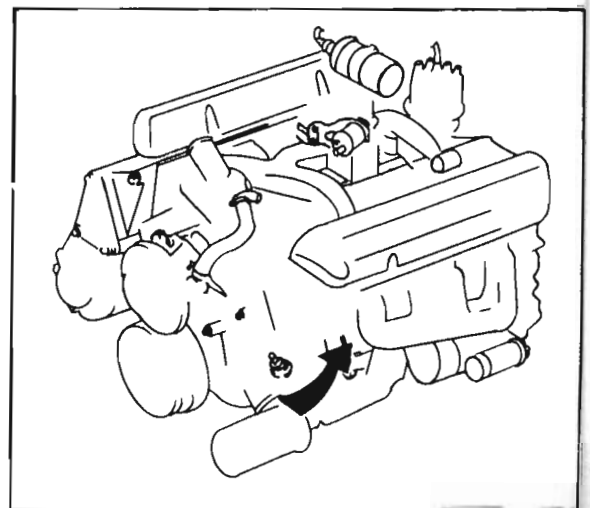
5.0 LITRE ENGINE - Production Option LV2

Location:

The Serial Number is stamped on the cylinder case pad in front of the LH side engine mounting, directly above the oil pump. The serial number is prefixed with the characters :-

VJ - Standard

VW - Production Option 'A9L'





REPLACEMENT PARTS INTERPRETATION (Cont'd)

MANUAL TRANSMISSION SERIAL NUMBER IDENTIFICATION

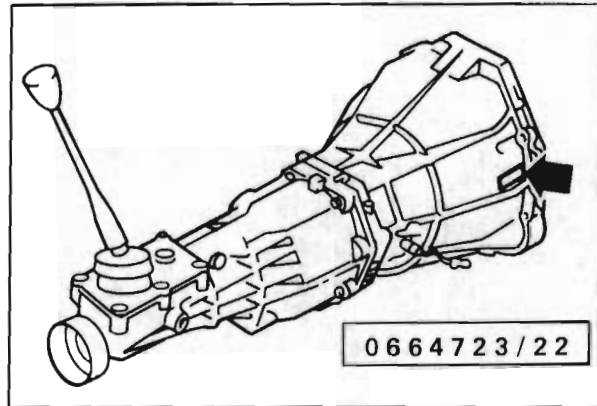
Transmission SERIAL numbers provide coded information which could be significant to parts interpretation.

ENGINE TYPE	TRANSMISSION PRODUCTION OPTION NO.	MODEL NO.
3.0E	ML4	X8079
3.0ET	MS1	X8080

MANUAL 5 SPEED TRANSMISSION - Production Option MF5

Location:

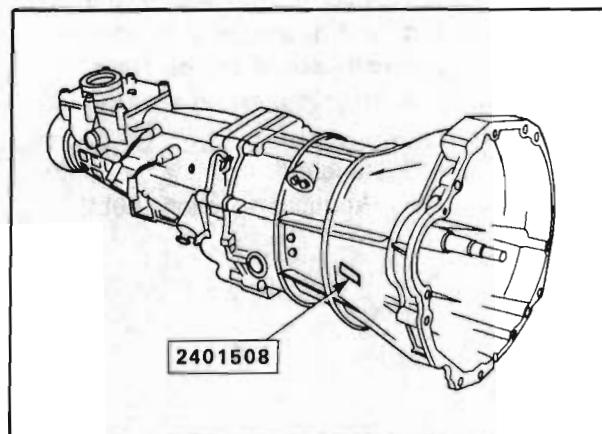
The Serial Number Plate (stick on tape) is attached to RH side of the transmission clutch housing, positioned at approximately 3 o'clock.



MANUAL 5 SPEED TRANSMISSION - Production Option MX7

Location:

The Serial Number Plate (stick on tape) is attached to RH side of the transmission clutch housing, positioned at approximately 3 o'clock.





"V" SERIES PARTS CATALOGUE

REPLACEMENT PARTS INTERPRETATION (Cont'd)

MANUAL TRANSMISSION SERIAL NUMBER IDENTIFICATION (Cont'd)

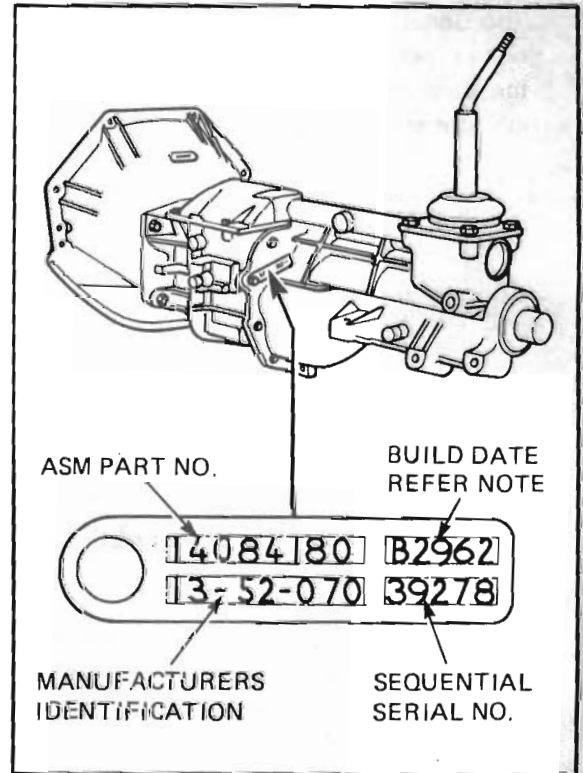
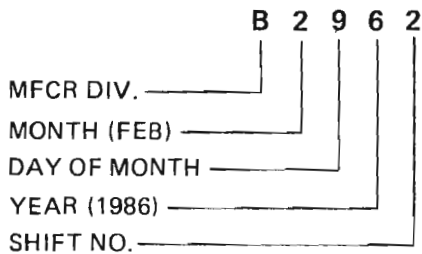
Transmission SERIAL numbers provide coded information which could be significant to parts interpretation.

MANUAL 5 SPEED TRANSMISSION - Production Option M39

Location:

The Serial Number Tag is attached to the LH side of the transmission extension housing, by a housing to case bolt positioned at approximately 10 o'clock. Reference should be made to the lower right hand sequence of five numerals.

NOTE: BUILD DATE





REPLACEMENT PARTS INTERPRETATION (Cont'd)

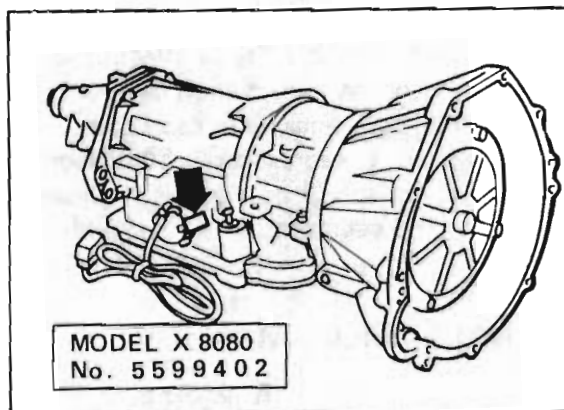
AUTOMATIC TRANSMISSION SERIAL NUMBER IDENTIFICATION

Transmission SERIAL numbers provide coded information which could be significant to parts interpretation.

AUTOMATIC 4 SPEED TRANSMISSION - Production Option ML4

Location:

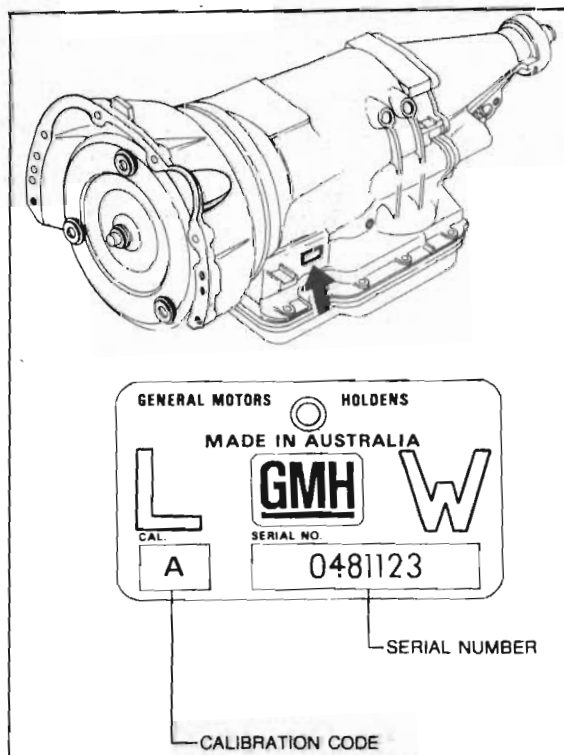
The Serial Number is stamped on to a bolt-on plate located on the RH side of the transmission, adjacent to the inhibitor switch/selector lever.



'TRIMATIC' AUTOMATIC 3 SPEED TRANSMISSION - Production Option M40

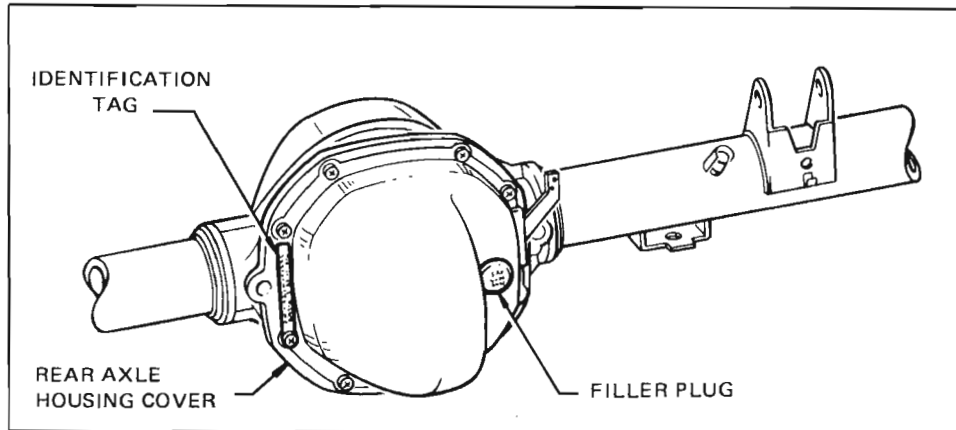
Location:

The Serial Number plate is attached to the LH side of the transmission case and is identified by a Red background.



REPLACEMENT PARTS INTERPRETATION (Cont'd)**REAR AXLE SERIAL NUMBER IDENTIFICATION**

Rear Axle SERIAL numbers provide coded information which could be significant to parts interpretation.

**REAR AXLE - Standard Axle - Production Option GM3**

Location: Refer above drawing.

An identification Tag is attached to the rear axle housing cover.

The Tag carries the HMC part number for the axle assembly, the final drive ratio and the serial number of the axle assembly.

REAR AXLE - Standard Axle with LIMITED SLIP - Production Option GM3/G80

Location: Refer above drawing.

Identification of a rear axle assembly fitted with Production Option **G80**, Limited Slip Differential, is by a **Red/Brown** coloured Filler Plug, fitted into the axle housing rear cover



EXTERIOR AND INTERIOR COLOURS

All coloured items are identified by a part number consisting of a Basic number which identifies the item and a Suffix consisting of alphabetical characters which denote the colour e.g. :-

BASIC NO.	SUFFIX	COMPLETE No.
92018483	LW	92018483LW

PAINT AND TRIM OPTION CODES

To interpret coloured requirements it is necessary to determine the **Model and Trim Codes** from the Body Identification Plate located beneath the Engine Hood, refer heading 'Location of Identification Plates'.

Colour codes consist of **TWO** numeric characters and **ONE** alphabetic character, which are established as follows:-

Characters: 1 and 2

Identify colour Family and Shade based on the Uniform Colour Codes shown below.

The First character identifies the Colour Family and the Second character the Shade. Shade characters are allocated from Light to Dark in ascending number sequence.

00-09 Open	50-59 Yellow - Gold
10-19 Neutral - Grey	60-69 Brown - Beige - Buckskin - Orange
20-29 Blue	70-79 Pink - Red - Carmine - Plum
30-39 Aqua - Turquoise - Sage Green	80-89 Miscellaneous
40-49 Green	90-99 Firemist Metallic

Character: 3

Identifies the area of the of the vehicle.

- I - identifies INTERIOR colour by code.
- L - identifies EXTERIOR colour by code.

Example:- **15I** Indicates GREY coloured INTERIOR trim.



"V" SERIES PARTS CATALOGUE

EXTERIOR AND INTERIOR COLOURS (Cont'd)

EXTERIOR COLOURS	INTERIOR COLOURS																				
	MODEL CODE						8VK					8VL					8VX				
	TRIM MATERIAL						A	A	—	A	A										
	DONCASTER											A	A	A	A	A					
	SORRENTO											—	A	A	A	A					
	PORTSEA																A	A	A	A	
COLOURS	MACEDON																				
	LEATHER — PRODUCTION OPTION — XT8																—	—	—	—	
	TWEED — PRODUCTION OPTION — A9L						—	S	—	—	—										
TRIM COMBINATION CODE						23I	15I	75I	85I	25I	23I	15I	75I	85I	25I	23I	15I	75I	85I	25I	
SALES NAME	GEN NAME	COM NO	OPT C DOE	GMH REF NO	TYPE	CERULEAN	LIGHT GREY	MADEIRA	SANDALWOOD	NEW BLUE	CERULEAN	LIGHT GREY	MADEIRA	SANDALWOOD	NEW BLUE	CERULEAN	LIGHT GREY	MADEIRA	SANDALWOOD	NEW BLUE	
WHITE GOLD	LIGHT GOLD	3083	50L	2G049	M	—	—	—	R	—	—	—	R	R	—	—	—	R	R	—	
SANDALWOOD	LIGHT BROWN	3084	64L	1G068	S	A	—	—	R	A	A	—	A	A	R	A	—	R	R	A	
BLUE ICE	LIGHT BLUE	3088	21L	2B042	M	R	A	—	—	—	R	A	—	—	—	R	A	—	—	—	
EVENING BLUE	DARK BLUE	3089	28L	1B122	S	—	—	—	—	—	R	R	—	—	—	R	R	—	—	—	
EUCUMBENE BLUE	DARK BLUE	3075	29L	2B047	M	A	R	—	R	R	—	R	R	R	R	—	R	—	R	R	
CORNICHE	LIGHT COPPER	3037	72L	2F015	M	—	—	—	—	—	—	R	R	A	—	—	R	R	A	—	
MADEIRA	DARK RED	3087	77L	2F017	M	—	—	—	R	—	—	—	R	R	—	—	—	R	R	—	
ASTEROID	SILVER	3039	15L	2J013	M	R	R	—	A	R	R	R	R	A	R	R	R	R	A	R	
SILVERSLATE	MEDIUM GREY	3050	18L	2H018	M	—	—	—	—	—	A	R	R	R	—	A	R	R	R	—	
MARANELLO RED	MEDIUM RED	1980	75L	1F075	S	—	R	—	R	—	—	R	R	R	—	—	R	R	R	—	
ALPINE WHITE	WHITE	3038	10L	1J052	S	R	A	—	A	R	R	A	R	A	R	R	A	R	A	R	
EVERGLADE	MEDIUM GREEN	3053	48L	2C035	M	—	—	—	R	—	—	—	—	R	—	—	—	—	R	—	
PACIFIC BLUE	MEDIUM BLUE	3042	27L	2B035	M	—	R	—	—	—	—	R	—	—	—	—	R	—	—	—	
BUTTERNUT	MEDIUM YELLOW	3051	55L	10111	S	—	R	—	A	—	—	—	—	—	—	—	—	—	—	—	
BURNT ORANGE	DARK ORANGE	3070	67L	2E003	M	—	—	—	R	—	—	—	—	—	—	—	—	—	—	—	
PERMANENT RED	MEDIUM RED	2312	78L	1F047	S	—	S	—	—	—	—	—	—	—	—	—	—	—	—	—	
KIMBERLEY BRONZE	LIGHT BROWN	3078	62L	2G052	M	—	—	—	R	—	—	—	—	—	—	—	—	—	R	—	
MORNING BLUE	LIGHT BLUE	3048	24L	2B037	M	—	R	—	—	R	—	R	—	—	R	—	R	—	—	R	
VENETIAN RED	MEDIUM RED	1979	74L	2F010	M	—	R	—	R	—	—	R	R	R	—	—	R	R	R	—	
MEDIUM MULBERRY	LIGHT RED	3079	73L	2A009	M	—	R	—	—	—	—	R	A	—	—	—	R	A	—	—	

TYPE: S = SOLID
M = METALLIC

S = SPECIAL MERCHANDISING PACK—A9L
O = OPTIONAL
R = RECOMMENDED
A = AVAILABLE



SERIES/MODEL IDENTIFICATION

VL

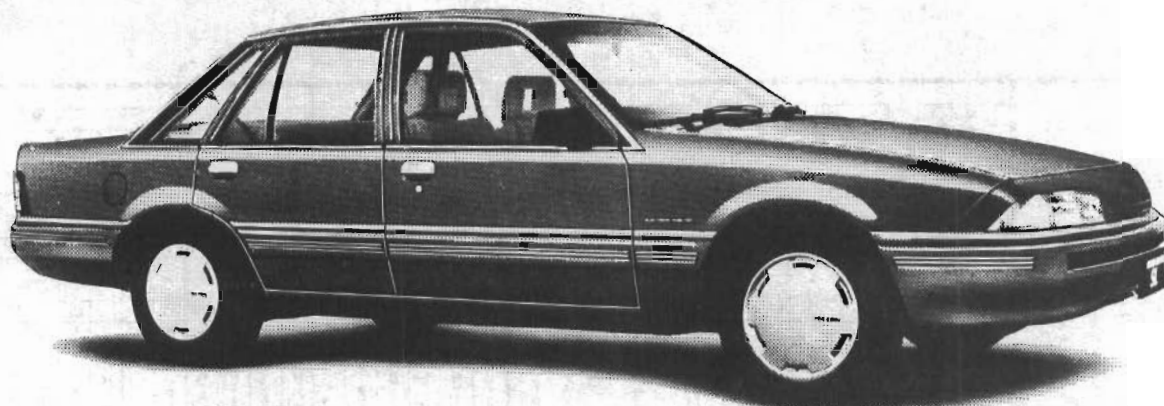


FIGURE 1. CODE

8VK19 Commodore "SL" Sedan - 6 Cyl. Eng.
8VK19 Commodore "SL" Sedan - 8 Cyl. Eng.

INTRODUCED

January, 1986.
July, 1986.

VL

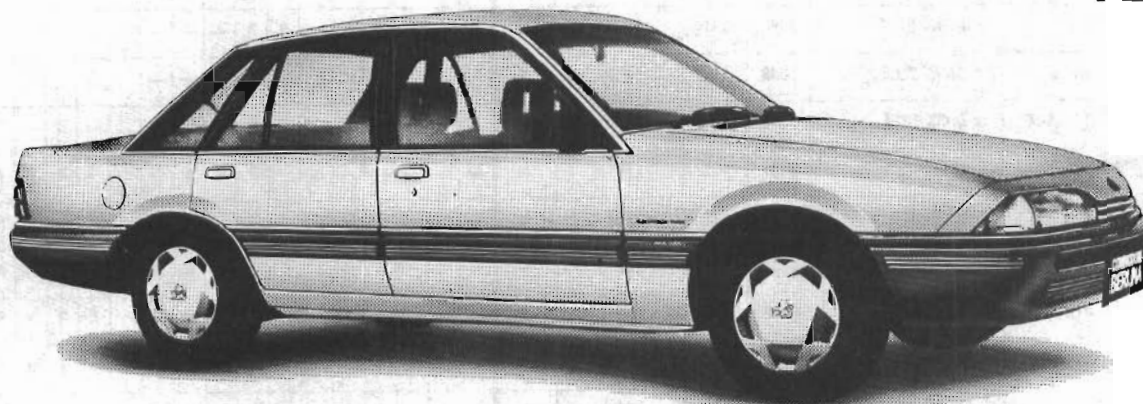


FIGURE 2. CODE

8VL19 Commodore "BERLINA" Sedan - 6 Cyl. Eng.
8VL19 Commodore "BERLINA" Sedan - 8 Cyl. Eng.

INTRODUCED

January, 1986.
July, 1986.

VL



FIGURE 3. CODE

8VK19 Commodore "FORMULA" Sedan - 6 & 8 Cyl. Engs.
8VL19 Commodore "FORMULA" Sedan - 6 & 8 Cyl. Engs.

INTRODUCED

July, 1986.
July, 1986.



SERIES/MODEL IDENTIFICATION

VL

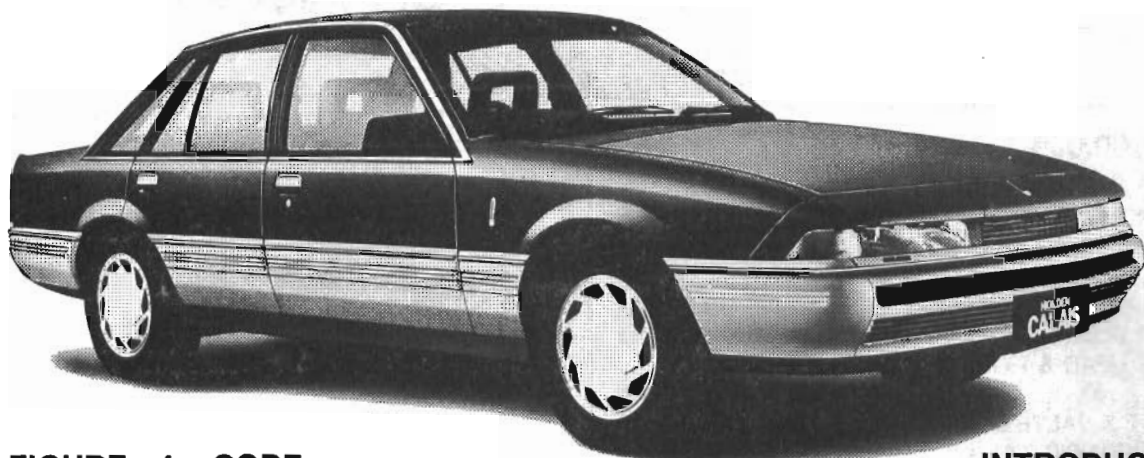


FIGURE 4. CODE

8VX19 "CALAIS" Sedan - 6 Cyl. Eng.
8VX19 "CALAIS" Sedan - 8 Cyl. Eng.

INTRODUCED

January, 1986.
July, 1986.

VL

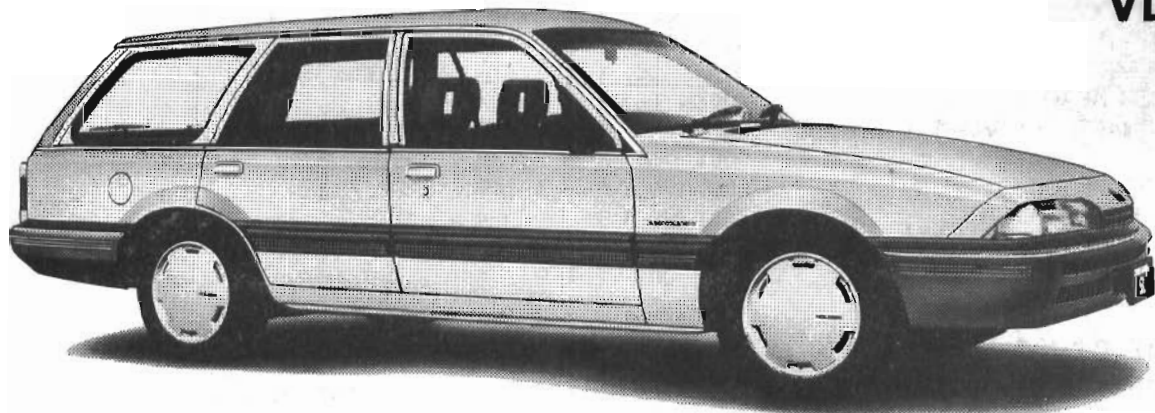


FIGURE 5. CODE

8VK35 Commodore "SL" Station Wagon - 6 Cyl. Eng.
8VK35 Commodore "SL" Station Wagon - 8 Cyl. Eng.

INTRODUCED

January, 1986.
July, 1986.

VL

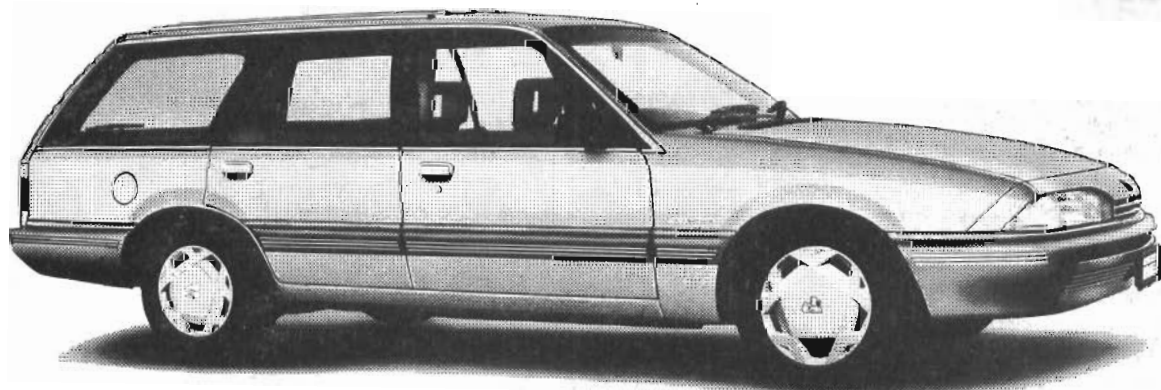


FIGURE 6. CODE

8VL35 Commodore "BERLINA" Station Wagon - 6 Cyl. Eng.
8VL35 Commodore "BERLINA" Station Wagon - 8 Cyl. Eng.

INTRODUCED

January, 1986.
July, 1986.



CHASSIS-ILLUSTRATION INDEX

GROUP	HEADING	SECT./PAGE	GROUP	HEADING	SECT./PAGE
GROUP 00.000			GROUP 01.000 (Cont'd.)		
ENGINE - CLUTCH			ENGINE VENTILATION - 8 Cylinder Engine		01-21
ENGINE MOUNTING		00M-1	OIL LEVEL INDICATOR - 8 Cylinder Engine		01-22
ENGINE		00M-2	OIL PUMP - 8 Cylinder Engine		01-23
CRANKCASE FRONT END COVER		00M-3			
ENGINE GASKETS		00M-4/00M-5	GROUP 02		
CYLINDER BLOCK & OIL PAN		00M-6/00M-7	ENGINE ELECTRICAL - CHASSIS WIRING		
CYLINDER HEAD & ROCKER COVER		00M-8/00M-9	- EXTERIOR LAMPS		
CAMSHAFT & VALVE MECHANISM		00M-10/00M-11	STARTER MOTOR & ALTERNATOR MOUNTING - 6 Cylinder Engine		02-2
CRANKSHAFT, PISTON & FLYWHEEL		00M-12/00M-13	ENGINE ELECTRICAL UNITS - 8 Cylinder Engine		02-3
CLUTCH OPERATING SYSTEM - (M)		00M-14	STARTER MOTOR - Hitachi - 6 Cylinder Engine		02-4/02-5
CLUTCH MAIN CYLINDER - (M)		00M-15	STARTER MOTOR - Bosch - 6 Cylinder Engine		02-6/02-7
CLUTCH SLAVE CYLINDER - (M)		00M-16	STARTER MOTOR - Bosch - 8 Cylinder Engine		02-8/02-9
CLUTCH PEDAL & MOUNTING - (M)		00M-17	ALTERNATOR - Hitachi - 6 Cylinder Engine		02-10/02-11
CLUTCH - (M)		00M-18	ALTERNATOR - Bosch		02-12/02-13
ENGINE MOUNTINGS		00T-1	BATTERY & CARRIER		02-14
CYLINDER HEAD		00T-2/00T-3	IGNITION SWITCH		02-15
CRANKSHAFT, CAMSHAFT & PISTON		00T-4/00T-5	IGNITION SYSTEM - 6 Cylinder Engine		02-16/02-17
CYLINDER BLOCK		00T-6/00T-7	BATTERY HARNESS - 6 Cylinder Engine		02-18
FLYWHEEL & CLUTCH		00T-8/00T-9	BATTERY HARNESS - 8 Cylinder Engine		02-19
CLUTCH PEDAL - (M)		00T-10	FUSE BOX & RELAYS - 6 Cylinder Engine		02-20
CLUTCH CABLE - (M)		00T-11	FUSE BOX & RELAYS - 8 Cylinder Engine		02-21
			DISTRIBUTOR - 6 Cylinder Engine		02-22/02-23
GROUP 01.000			DISTRIBUTOR - Bosch - 8 Cylinder Engine		02-24/02-25
COOLING - GRILLE - OIL SYSTEM			INSTRUMENT PANEL MAIN WIRING HARNESS - 6 Cylinder Engine		02-26/02-27
FRONT END AIR CHUTE		01-1	INSTRUMENT PANEL MAIN WIRING HARNESS - 8 Cylinder Engine		02-27/02-28
DRIVE BELTS - 6 Cylinder Engine		01-2	MAIN WIRING HARNESS - ENGINE COMPARTMENT - 6 Cylinder Engine		02-30/02-31
DRIVE BELTS - 8 Cylinder Engine		01-3	MAIN WIRING HARNESS - ENGINE COMPARTMENT - 8 Cylinder Engine		02-32/02-33
ENGINE FAN - 6 Cylinder Engine		01-4	ENGINE HARNESS - 2.0 Litre Engine		02-34/03-35
FAN & PULLEY - 8 Cylinder Engine		01-5	ENGINE HARNESS - 3.0 Litre Engine exc. Turbo		02-36/02-37
RADIATOR - 6 Cylinder Engine		01-6	ENGINE HARNESS - 3.0 Litre Engine with Turbo		02-38/02-39
RADIATOR - 8 Cylinder Engine		01-7			
RADIATOR OVERFLOW		01-8			
RESERVED FOR ILLUSTRATION		01-9			
WATER PUMP, FAN & THERMOSTAT - 6 Cylinder Engine		01-10/01-11			
WATER PUMP - 8 Cylinder Engine		01-12			
FRONT END PANEL - 8VK & 8VL Body styles		01-13			
FRONT END PANEL - 8VX Body style		01-14			
RADIATOR GRILLE		01-15			
RADIATOR AIR INTAKE SHROUD		01-16			
ENGINE OIL PAN GUARD & SPLASH PAN		01-17			
OIL PUMP, FILTER, SCREEN & PIPE - 6 Cylinder Engine		01-18			
ENGINE VENTILATION - 6 Cylinder Engine exc. Turbo		01-19			
ENGINE VENTILATION - 6 Cylinder Engine with Turbo		01-20			



CHASSIS-ILLUSTRATION INDEX

GROUP	HEADING	SECT./PAGE	GROUP	HEADING	SECT./PAGE
GROUP 02 (Cont'd.)			GROUP 03.000 (Cont'd.)		
ENGINE HARNESS - 8 Cylinder			AUXILIARY AIR HOSES - 6 Cylinder		
Engine		02-40/02-41	Engine		03-27
TAIL LAMP - Sedan		02-42	FUEL FLOW CONTROL		
TAIL LAMP - Wagon		02-43	REGULATOR HOSES & CLIPS - 6		
REAR COMPARTMENT WIRING -			Cylinder Engine		03-28
Sedan		02-44/02-45	THROTTLE CONTROL - 6 Cylinder		
REAR COMPARTMENT WIRING -			Engine		03-29
Wagon		02-46/02-47	E.F.I. FUEL SUPPLY SYSTEM - 6		
HEADLAMP, PARKING & TURN			Cylinder Engine		03-30/03-31
SIGNAL LAMP		02-48/02-49	TURBO CHARGER - 3.0 Litre		03-32/03-33
HEADLAMP HOOD - 8VX19		02-50/02-51	AIR CLEANER - 6 Cylinder Engine		
HORNS		02-52	exc. Turbo		03-34
STEERING COLUMN SWITCH &			AIR CLEANER - 3.0 Litre Engine with		
HARNESS		02-53	Turbo		03-35
GROUP 03.000			INLET TUBE - 3.0 Litre Engine with		
FUEL - EXHAUST - CARBURETION			Turbo		03-36
FUEL TANK FILLER STONE GUARD		03-2	CARBURETTOR & AIR CLEANER -		
FUEL TANK - 2.0 Litre Engine		03-3	8 Cylinder Engine		03-37
FUEL TANK - Sedan with 3.0 Litre			AIR PRE HEAT SYSTEM - 8 Cylinder		
Engine		03-4/03-5	Engine		03-38
FUEL TANK - Wagon with 3.0 Litre			AUTOMATIC CHOKE - 8 Cylinder		
Engine		03-6/03-7	Engine		03-39
FUEL TANK - Sedan with 8 Cylinder			ACCELERATOR CABLE - 2.0 Litre		
Engine		03-8/03-9	Engine		03-40
FUEL TANK - Wagon with 8 Cylinder			ACCELERATOR CABLE - 3.0 Litre		
Engine		03-10/03-11	Engine		03-41
VAPOUR CANISTER - 3.0 Litre			ACCELERATOR CABLE - 8 Cylinder		
Engine		03-12	Engine		03-42
VAPOUR CANISTER - 8 Cylinder			ACCELERATOR PEDAL		03-43
Engine		03-13	EXHAUST SYSTEM - 2.0 Litre		
VAPOUR CANISTER PURGE HOSES			Engine		03-44
- 3.0 Litre Engine Exc. Turbo		03-14	EXHAUST SYSTEM - FIRST TYPE		
VAPOUR CANISTER PURGE HOSES			3.0 Litre Engine Exc. Turbo		03-45
- 3.0 Litre Engine With Turbo		03-15	EXHAUST SYSTEM - SECOND		
FUEL, VAPOUR & BRAKE PIPES - 6			TYPE 3.0 Litre Engine Exc. Turbo		03-46/03-47
Cylinder Engine		03-16	EXHAUST SYSTEM - 3.0 Litre		
FUEL, VAPOUR & BRAKE PIPES - 8			Engine with Turbo		03-48/03-49
Cylinder Engine		03-17	EXHAUST SYSTEM - 8 Cylinder		
EMISSION CONTROL HOSES - 8			Engine		03-50/03-51
Cylinder Engine		03-18/03-19	EXHAUST GAS SENSOR		03-52
FUEL PIPE TO ENGINE - 6 Cylinder			FUEL FILTER - 6 Cylinder Engine ...		03-53
Engine exc. Turbo		03-20	CRUISE CONTROL - 6 Cylinder		
FUEL PIPE TO ENGINE - 6 Cylinder			Engine		03-54/03-55
Engine with Turbo		03-21	CRUISE CONTROL - 8 Cylinder		
FUEL PIPE TO ENGINE - 6 Cylinder			Engine		03-56/03-57
Engine		03-22	CARBURETTOR - Four Barrel Type -		
VACUUM ADAPTORS		03-23	Rochester - 8 Cylinder Engine		03-58/03-59
INLET & EXHAUST MANIFOLDS - 6			FUEL PUMP - EXTERNAL - Sedan		
Cylinder Engine		03-24/03-25	with 6 Cylinder Engine		03-60
AIR REGULATOR VALVES - 6			FUEL PUMP - EXTERNAL - Wagon		
Cylinder Engine		03-26	with 6 Cylinder Engine		03-61
			FUEL PUMP & SENDER - FUEL		
			TANK - 6 Cylinder Engine		03-62



CHASSIS-ILLUSTRATION INDEX

GROUP	HEADING	SECT./PAGE	GROUP	HEADING	SECT./PAGE
GROUP 03.000 (Cont'd.)			GROUP 04.000 (Cont'd.)		
	FUEL SENDER & PUMP ASM. - 8 Cylinder Engine	03-63		TRANSMISSION PARK LOCK & RANGE SELECTOR	04R-22/04R-23
GROUP 04.000				SPEEDOMETER CABLE & GEAR ...	04R-24
TRANSMISSION INDEX				AUTOMATIC SHIFT HARNESS	04R-25
	TRANSMISSION SHIFT CONTROL ...	04J-1		TRANSMISSION CONTROL POWER SHIFT SWITCH AND COVER	
	TRANSMISSION HARNESS	04J-2		ASM.	04R-26/04R-27
	TRANSMISSION MOUNTING	04J-3		TRANSMISSION TO ENGINE	04U-1
	TRANSMISSION TO ENGINE GUSSETS	04J-4		TRANSMISSION CONTROL	04U-2
	SPEEDOMETER CABLE & GEAR - Exc. Turbo	04J-5		CONSOLE - TRANSMISSION	04U-3
	SPEEDOMETER CABLE & GEAR - With Turbo	04J-6		DETENT - SWITCH	04U-4
	TRANSMISSION REVERSE CHECK ..	04J-7		TRANSMISSION MOUNTING	04U-5
	TRANSMISSION CASE & COVER - Exc. Turbo	04J-8/04J-9		OIL COOLER PIPES	04U-6
	TRANSMISSION STRIKING ROD & STRIKING ROD	04J-10/04J-11		OIL PAN & INDICATOR	04U-7
	TRANSMISSION CASE & COVER - With Turbo	04J-12/04J-13		OIL FILLER & MODULATOR PIPE ...	04U-8
	TRANSMISSION SHIFT FORK - With Turbo	04J-14/04J-15		SPEEDO CABLE & GEAR	04U-9
	TRANSMISSION MAINSHAFT & GEARS - Exc. Turbo	04J-16/04J-17		CONVERTER & OIL PUMP	04U-10/04U-11
	TRANSMISSION COUNTERSHAFT & GEARS - Exc. Turbo	04J-18/04J-19		TRANSMISSION DRIVE	04U-12/04U-13
	TRANSMISSION MAINSHAFT & GEARS - With Turbo	04J-20/04J-21		PARK BRAKE, MODULATOR & SERVO	04U-14/04U-15
	TRANSMISSION CONTROL	04R-1		VALVE BODY	04U-16/04U-17
	TRANSMISSION CONTROL INDICATOR	04R-2		TRANSMISSION & CONTROL ASM. .	04Y-1
	DETENT SWITCH	04R-3		TRANSMISSION CASE & GEARS ...	04Y-2/04Y-3
	TRANSMISSION HARNESS	04R-4		SPEEDO CABLE & DRIVE	04Y-4
	TRANSMISSION MOUNTING	04R-5	GROUP 04.500		
	TRANSMISSION TO ENGINE GUSSETS	04R-6	BRAKE CONTROL - BRAKE OPERATING		
	OIL COOLER PIPES	04R-7		BRAKE PEDAL	045-1
	TRANSMISSION TO ENGINE	04R-8		BRAKE PEDAL SUPPORT	045-2
	TRANSMISSION OIL FILLER & MODULATOR PIPE	04R-9		PARK BRAKE LEVER	045-3
	TRANSMISSION GASKET & SEAL KIT	04R-10/04R-11		PARK BRAKE	045-4/045-5
	TRANSMISSION CONVERTER CASE & HOUSING	04R-12/04R-13		PARK BRAKE - Rear disc brakes ...	045-6
	TRANSMISSION CLUTCH & GOVERNOR	04R-14/04R-15		BRAKE MAIN CYLINDER	045-7
	TRANSMISSION SECOND BRAKE BAND, FRONT & REAR CLUTCH ..	04R-16/04R-17		FRONT BRAKE PIPES	045-8
	TRANSMISSION OIL PUMP & DIRECT CLUTCH	04R-18/04R-19		REAR BRAKE PIPES	045-9
	TRANSMISSION VALVE BODY	04R-20/04R-21		FRONT BRAKE CALIPER	045-10/045-11
				REAR DISC BRAKES	045-12
				REAR DRUM BRAKES	045-13
				VACUUM SERVO BRAKE HOSE	045-14
			GROUP 05.000		
			REAR AXLE - WHEELS		
				WHEEL - ROAD	05-1
				PROPELLER SHAFT	05-2/05-3
				REAR AXLE - TWO PINION - 6 Cylinder Engine Exc. Turbo	05-4/05-5
				REAR AXLE - FOUR PINION - 3.0 Litre Engine With Turbo - 5.0 Litre Engine	05-6/05-7



CHASSIS-ILLUSTRATION INDEX

GROUP	HEADING	SECT./PAGE	GROUP	HEADING	SECT./PAGE
GROUP 06.000			GROUP 08.000		
FRONT SUSPENSION - STEERING			FRONT END SHEET METAL - HEATER		
HUB & DISC - FRONT WHEEL		06-1	ENGINE HOOD & HARDWARE		08-1
FRONT SUSPENSION		06-2/06-3	ENGINE HOOD INSULATOR		08-2
STEERING WHEEL		06-4	HOOD LOCK RELEASE & SUPPORT		08-3
STEERING COLUMN		06-5	FRONT FENDER		08-4
STEERING COUPLING		06-6	FRONT END EMBLEMS & NAME		
STEERING GEAR		06-7	PLATES		08-5
STEERING GEAR - Manual steering ..		06-8/06-9	FRONT FENDER HEAT SHIELD		08-6
STEERING GEAR - Power Steering ..		06-10/06-11	FRONT FENDER MUD DEFLECTOR		08-7
POWER STEERING PUMP		06-12/06-13	REAR FENDER MUD DEFLECTOR -		
POWER STEERING PUMP			Sedan		08-8
MOUNTING - 6 Cylinder Engine			REAR FENDER MUD DEFLECTOR -		
With Front Pressure Outlet		06-14	Wagon		08-9
POWER STEERING PUMP			JACJ & SPARE WHEEL STOWAGE -		
MOUNTING - 6 Cylinder Engine			Sedan		08-10
With Rear Pressure Outlet		06-15	JACK & SPARE WHEEL STOWAGE		
POWER STEERING PUMP			- Wagon		08-11
MOUNTING - 8 Cylinder Engine ...		06-16	HEATER		08-12/08-13
POWER STEERING RESERVOIR &			HOUSING & MOTOR - HEATER		
HOSES - 6 Cylinder Engine - Early			BLOWER		08-14/08-15
Production		06-17	BLOWER & HEATER		08-16
POWER STEERING RESERVOIR &			HEATER HOSES - 6 Cylinder Engine		08-17
HOSES - 6 Cylinder Engine - Late			HEATER DUCTING		08-18
Production		06-18	HEATER CONTROL		08-19
POWER STEERING RESERVOIR &			HEATER & AIR CONDITIONING		
HOSES - 8 Cylinder Engine		06-19	VACUUM CONTROL HOSES - 6		
			Cylinder Engine Exc. Cruise control		08-20
			HEATER & AIR CONDITIONING		
			VACUUM CONTROL HOSES - 6		
			Cylinder Engine With Cruise control		08-21
			ENGINE COMPARTMENT LAMP		08-22
			HEATER HOSES - 8 Cylinder Engine		08-23
			ALARM SYSTEM - COBRA		08-24/08-25
GROUP 07.000			GROUP 09.000		
FRAME - SPRINGS - SHOCK ABSORBERS			AIR CONDITIONING - RADIO		
- BUMPER BARS			- INSTRUMENT CLUSTERS		
TOW BAR - Sedan		07-1	AIR CONDITIONER COMPRESSOR		
TOW BAR - Wagon		07-2	MOUNTING - 6 Cylinder Engine ...		09-1
REAR QUARTER BRACE - Sedan ..		07-3	AIR CONDITIONER COMPRESSOR		
TRAILER WIRING HARNESS		07-4	MOUNTING - 8 Cylinder Engine ...		09-2
REAR STABILIZER SHAFT		07-5	AIR CONDITIONER IDLER PULLEY -		
REAR SUSPENSION		07-6/07-7	8 Cylinder Engine		09-3
SUPERLIFT SHOCK ABSORBERS -			AIR CONDITIONING COMPRESSOR		
Sedan		07-8	- Sanden TR-70		09-4/09-5
SUPERLIFT SHOCK ABSORBERS -			CONDENSER, RECEIVER &		
Wagon		07-9	DEHYDRATOR		09-6
STRUT ROD & SLEEVE		07-10	CONDENSER & REFRIGERANT		
FRONT BUMPER BAR MOULDINGS		07-11	TUBE - Air Conditioner		09-7
FRONT BUMPER BAR		07-12/07-13	BLOWER, EVAPORATOR & HEATER		
REAR BUMPER BAR - Sedan		07-14	- Air Conditioner		09-8
REAR BUMPER BAR - Wagon		07-15	REFRIGERANT HOSES - 6 Cylinder		
REAR BUMPER BAR MOULDINGS ..		07-16	Engine		09-9



CHASSIS-ILLUSTRATION INDEX

GROUP	HEADING	SECT./PAGE	GROUP	HEADING	SECT./PAGE
GROUP 09.000 (Cont'd.)					
	REFRIGERANT HOSES - 8 Cylinder				
	Engine	09-10			
	RESERVED FOR ILLUSTRATION ...	09-11			
	EVAPORATOR - Air Conditioner	09-12/09-13			
	HOUSING & MOTOR - Air				
	Conditioner Blower	09-14/09-15			
	AIR CONDITIONER DUCTING	09-16			
	AIR CONDITIONER CONTROL	09-17			
	ANTENNA - Manual	09-18			
	ANTENNA - Power	09-19			
	RADIO CASSETTE PLAYER	09-20			
	SPEAKERS - REAR	09-21			
	WEATHERSHIELD	09-22			
	INSTRUMENT PANEL SURROUND				
	& SWITCHES	09-23			
	COMBINED INSTRUMENT - Exc.				
	Tachometer	09-24/09-25			
	COMBINED INSTRUMENT - With				
	Tachometer	09-26/09-27			
	INSTRUMENT HARNESS	09-28			



BODY-ILLUSTRATION INDEX

GROUP	HEADING	SECT./PAGE	GROUP	HEADING	SECT./PAGE
GROUP 10.000			GROUP 11.000 (Cont'd.)		
WINDSHIELD - WIPERS & WASHERS - MIRRORS			PASSENGER COMPARTMENT		
- CONSOLES - INSTRUMENT PANEL			WIRING		11-10/11-11
HARDWARE - DOORS			GROUP 12.000		
WINDSHIELD		10-1	BODY MOULDINGS - SHEET METAL		
WINDSHIELD WIPER MOTOR & LINKAGE		10-2	FINISHER STRIP - BODY SIDE		
WINDSHIELD WASHER		10-3	MOULDINGS		12-1
EXTERNAL REAR VISION MIRROR ..		10-4	BODY MOULDINGS - 8VK19		12-2/12-3
VANITY MIRROR		10-5	BODY MOULDINGS - 8VK35		12-4/12-5
SUNVISOR		10-6	BODY MOULDINGS - 8VL19		12-6/12-7
SUNSHADE PACKAGE		10-7	BODY MOULDINGS - 8VL35		12-8/12-9
INSTRUMENT PANEL SURROUND ..		10-8	BODY MOULDINGS - 8VX19		12-10/12-11
UPPER INSTRUMENT PANEL		10-9	REAR END NAME PLATES - 8VK19		12-12/12-13
LOWER INSTRUMENT PANEL	10-10/10-11		REAR END NAME PLATES - 8VK35		12-14/12-15
TRIM - INSTRUMENT PANEL			REAR END NAME PLATES - 8VL19 ..		12-16/12-17
LOWER		10-12	REAR END NAME PLATES - 8VL35 ..		12-18
CONSOLE - Without Armrest		10-13	REAR END NAME PLATES - 8VX19 ..		12-19
CONSOLE - With Armrest		10-14	END GATE DUST DEFLECTOR-		
DOOR DUST SEALS		10-15	Wagon		12-20
ELECTRIC DOOR LOCK HARNESS ..		10-16	DECK LID HARDWARE - Sedan		12-21
ELECTRIC DOOR LOCKS & EXTERNAL REAR VISION			END GATE WINDOW WIPER -		
MIRROR HARNESS		10-17	Wagon		12-22
ELECTRIC DOOR LOCKS & POWER OPERATED WINDOWS		10-18	END GATE WINDOW WASHER -		
ELECTRIC DOOR LOCKS & POWER OPERATED WINDOWS HARNESS		10-19	Wagon		12-23
ELECTRIC DOOR LOCKS, POWER OPERATED WINDOWS & ELECTRIC EXTERNAL REAR			END GATE HARDWARE - Wagon ...	12-24/12-25	
VISION MIRROR HARNESS		10-20	END GATE HARDWARE - Wagon ...		12-26
DOOR PULL TO HANDLE		10-21	SPARE WHEEL COVER		12-27
FRONT DOOR HARDWARE	10-22/10-23		SPARE WHEEL COMPARTMENT		
REAR DOOR HARDWARE	10-24/10-25		COVER - Wagon with 14" Wheels ..		12-28
PAINT PROTECTION PLATE			SPARE WHEEL COMPARTMENT		
PACKAGE		10-26	COVER - Wagon with 15" Wheels ..		12-29
GROUP 11.000			PLENUM CHAMBER DEFLECTOR ..		12-30
REAR GLASS - SEAT PARTS			LUGGAGE RACK PACKAGE -		
- INTERIOR LAMPS			Wagon		12-31
REAR QUARTER GLASS CHANNEL			COWL FRONT		12-32
- Wagon		11-1	FRAME - DOOR OPENING		12-33
DOOR SCUFF PLATES		11-2	REAR SHEET METAL - Sedan		12-34
REAR & SIDE WINDOW VENETIAN			REAR SHEET METAL - Wagon		12-35
SHADE - Wagon		11-3	UNDERBODY PANELS - Sedan	12-36/12-37	
REAR WINDOW GLASS - Sedan		11-4	UNDERBODY PANELS - Wagon	12-38/12-39	
FRONT SEAT RECLINER			BODY PANELS - 8VK & 8VL Sedans	12-40/12-41	
MECHANISM		11-5	BODY PANELS - 8VX Sedan	12-42/12-43	
FRONT SEAT ADJUSTER - LH		11-6	BODY PANELS - Wagon	12-44/12-45	
FRONT SEAT ADJUSTER - RH		11-7	DOOR PANELS		12-46
REAR SEAT HARDWARE - Wagon ..		11-8	UNDERBODY SEALING		12-47
DOME & REAR QUARTER LAMP ...		11-9	FOOT REST TRIM PAD		12-48



BODY-ILLUSTRATION INDEX

GROUP	HEADING	SECT./PAGE	GROUP	HEADING	SECT./PAGE
GROUP 13.000					
BODY WIRING					
FOR BODY WIRING					
ILLUSTRATIONS REFER GROUPS					
2.000 & 11.000					
 GROUP 14.000					
INTERIOR TRIM - SEAT BELTS					
	CHILD SEAT	14-1			
	HEADLINING - Sedan	14-2			
	HEADLINING - Wagon	14-3			
	INTERIOR TRIM - 8VK19	14-4/14-5			
	INTERIOR TRIM - 8VK35	14-6/14-7			
	INTERIOR TRIM - 8VL19	14-8/14-9			
	INTERIOR TRIM - 8VL35	14-10/14-11			
	INTERIOR TRIM - 8VX19	14-12/14-13			
	FRONT BUCKET SEAT - 8VK	14-14			
	FRONT BUCKET SEAT - 8VL	14-15			
	FRONT BUCKET SEAT - 8VX19	14-16			
	FRONT SEAT BELTS	14-17			
	REAR SEAT BELTS - Sedan	14-18			
	REAR SEAT BELTS - Wagon	14-19			
 GROUP 15.000					
REAR SEAT TRIM - CARPETS					
	REAR QUARTER WINDOW TRIM -				
	Sedan	15-1			
	LUGGAGE COMPARTMENT TRIM -				
	Sedan	15-2			
	DASH PANEL INSULATORS	15-3			
	FLOOR CARPETS	15-4			
	REAR COMPARTMENT TRIM -				
	Wagon	15-5			
	ASSIST GRIP HANDLE	15-6			
	DEADENERS	15-7			



GROUP

0.000

ENGINE & CLUTCH



ENGINE INDEX

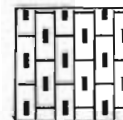
ENGINE PARTS ARE LISTED AS FOLLOWS:-

SECTION 1. L6 CYLINDER ENGINE ASSEMBLY

- 2.0 LITRE OHC E.F.I. ENGINE (EXPORT)
- 3.0 LITRE OHC E.F.I. ENGINE
- 3.0 LITRE OHC E.F.I. TURBOCHARGED ENGINE

ENGINE CODE M

PAGE EDGE CODE

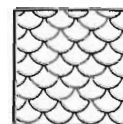


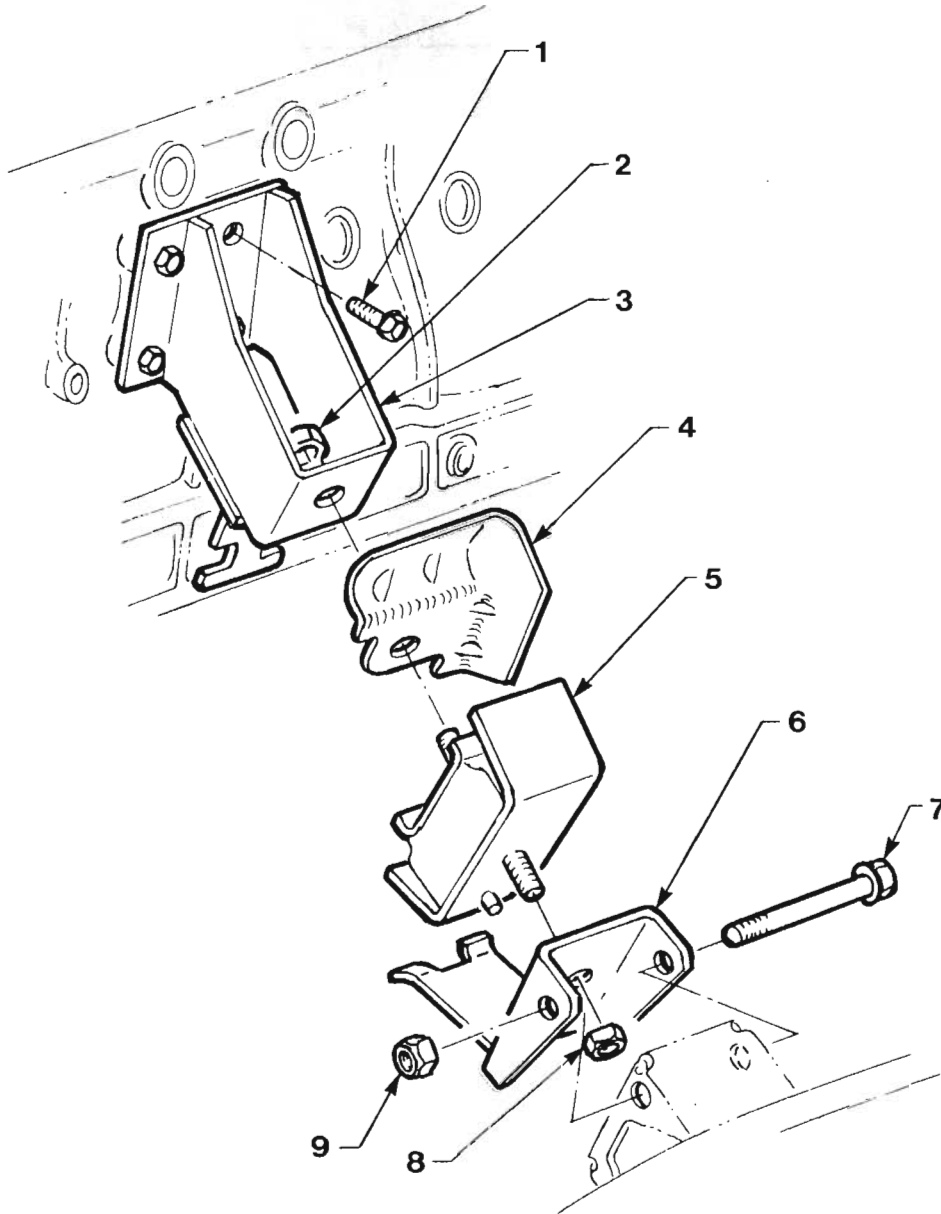
SECTION 2. V8 CYLINDER ENGINE ASSEMBLY

- 5.0 LITRE ENGINE

ENGINE CODE T

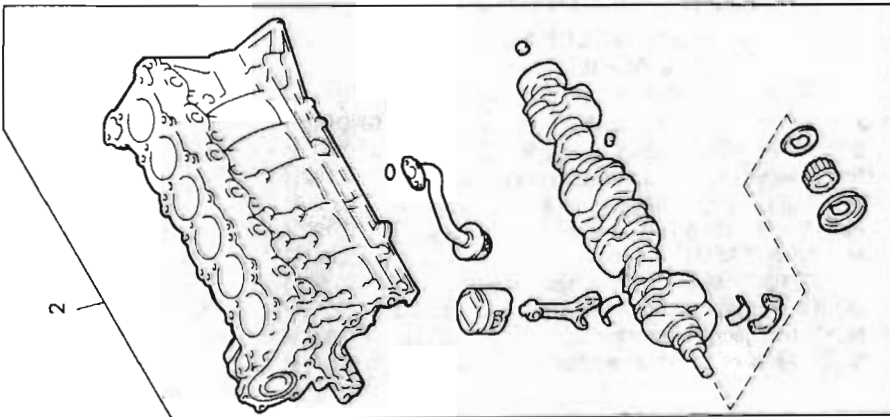
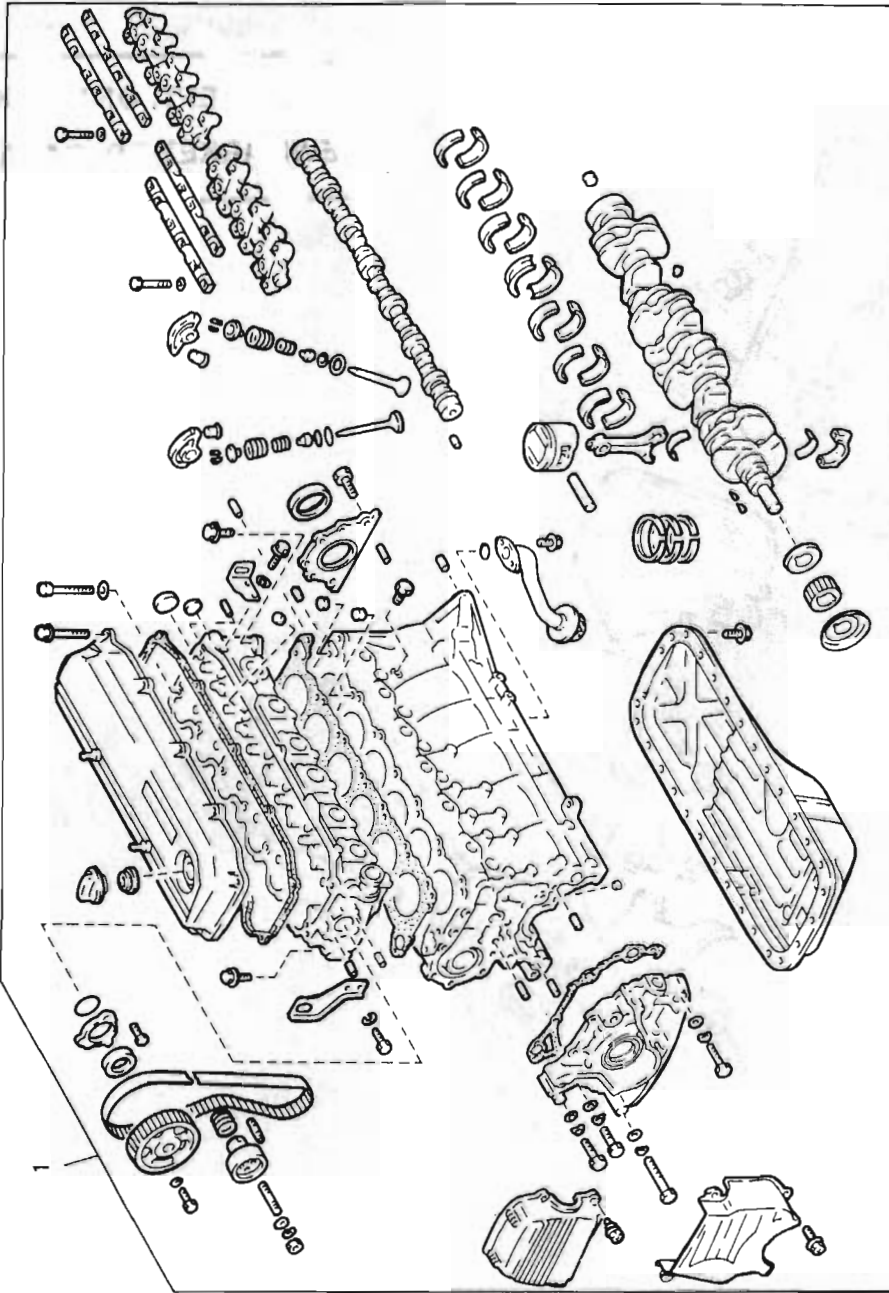
PAGE EDGE CODE





**ENGINE MOUNTING
6 CYLINDER ENGINE
VL SERIES**

REF. NO.	PART NAME	GROUP
1	BOLT - Mounting bracket to engine.....	0.002M
2	NUT - Mounting to mounting bracket.....	0.002M
3	BRACKET ASM. - Engine mounting.....	0.029M
4	PLATE - Mounting heat shield.....	0.029M
5	MOUNTING ASM. - Front.....	0.027M
6	ARRESTOR - Mounting to crossmember.....	0.029M
7	BOLT - Arrestor to crossmember.....	0.002M
8	NUT - Mounting to arrestor.....	0.002M
9	NUT - Arrestor to crossmember.....	0.002M

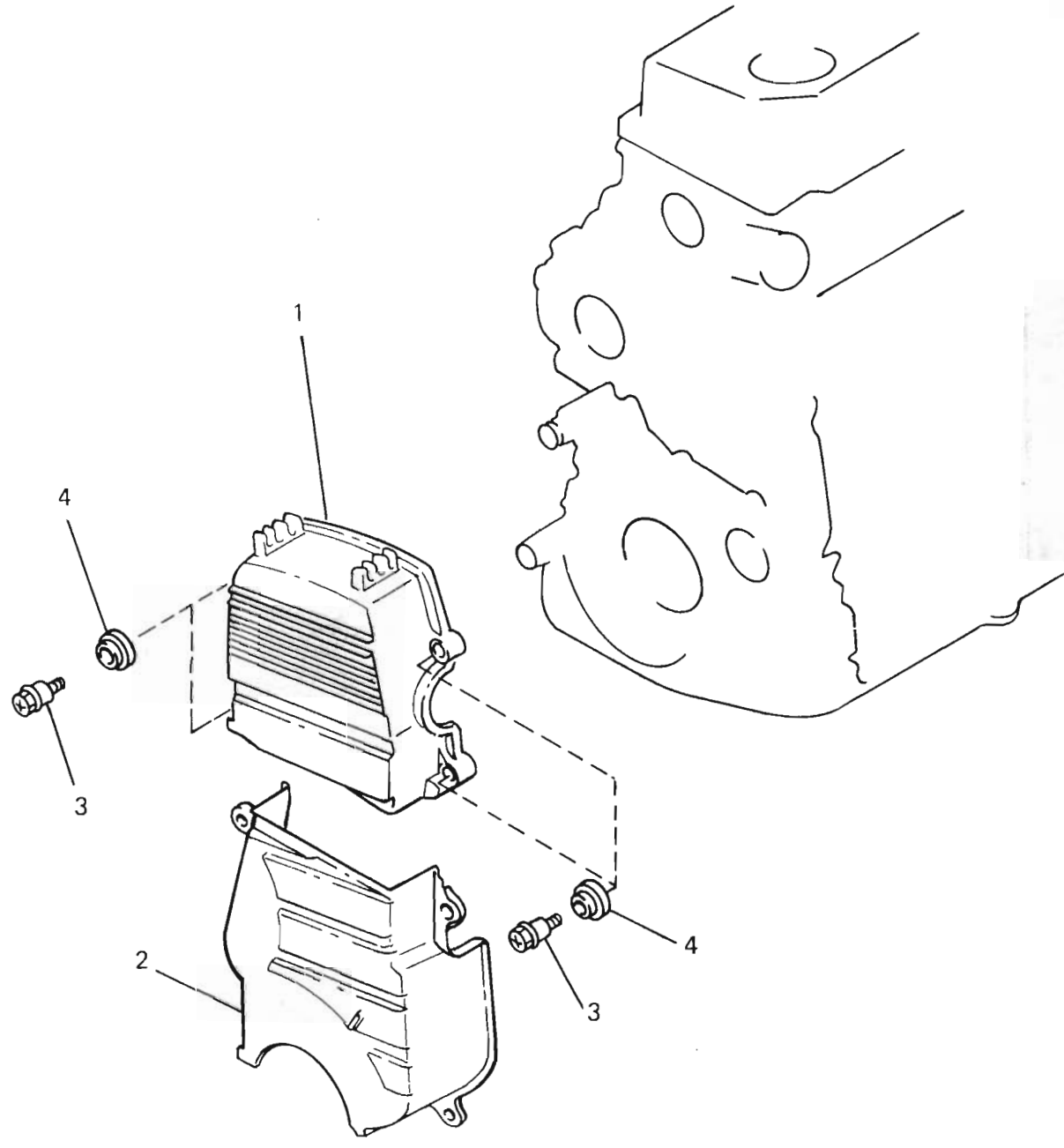


**ENGINE
6 CYLINDER ENGINE
VL SERIES**

REF. NO.	PART NAME	GROUP
1	ENGINE ASM. - Bare	0.000M
2	BLOCK COMPLETE - Short motor	0.033M

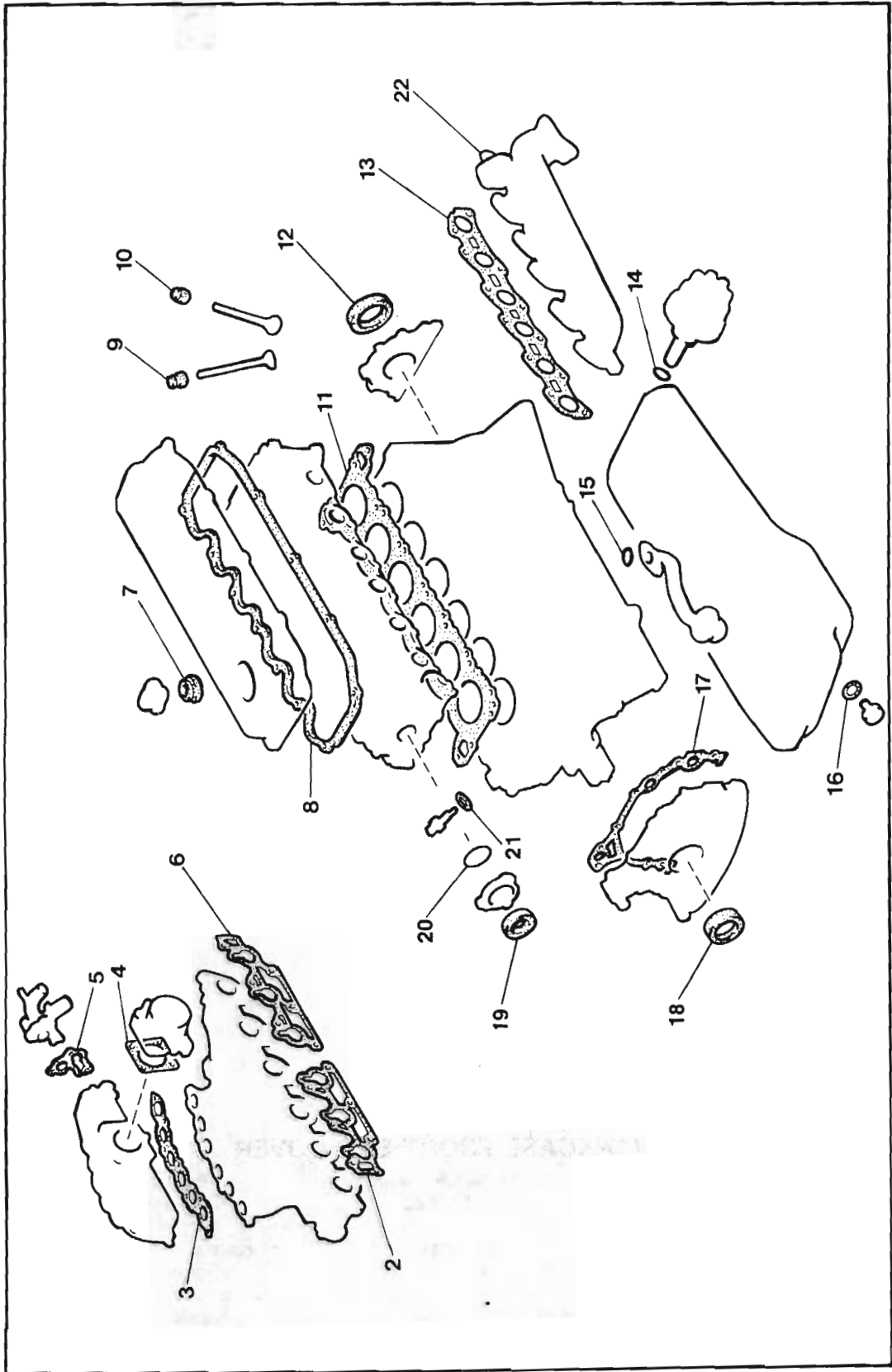


"V" SERIES PARTS CATALOGUE



CRANKCASE FRONT END COVER 6 CYLINDER ENGINE VL SERIES

REF. NO.	PART NAME	GROUP
1	COVER ASM. - Upper.....	0.206M
2	COVER ASM. - Lower.....	0.206M
3	BOLT - Cover to block.....	0.206M
4	WASHER - Cover to block.....	0.206M



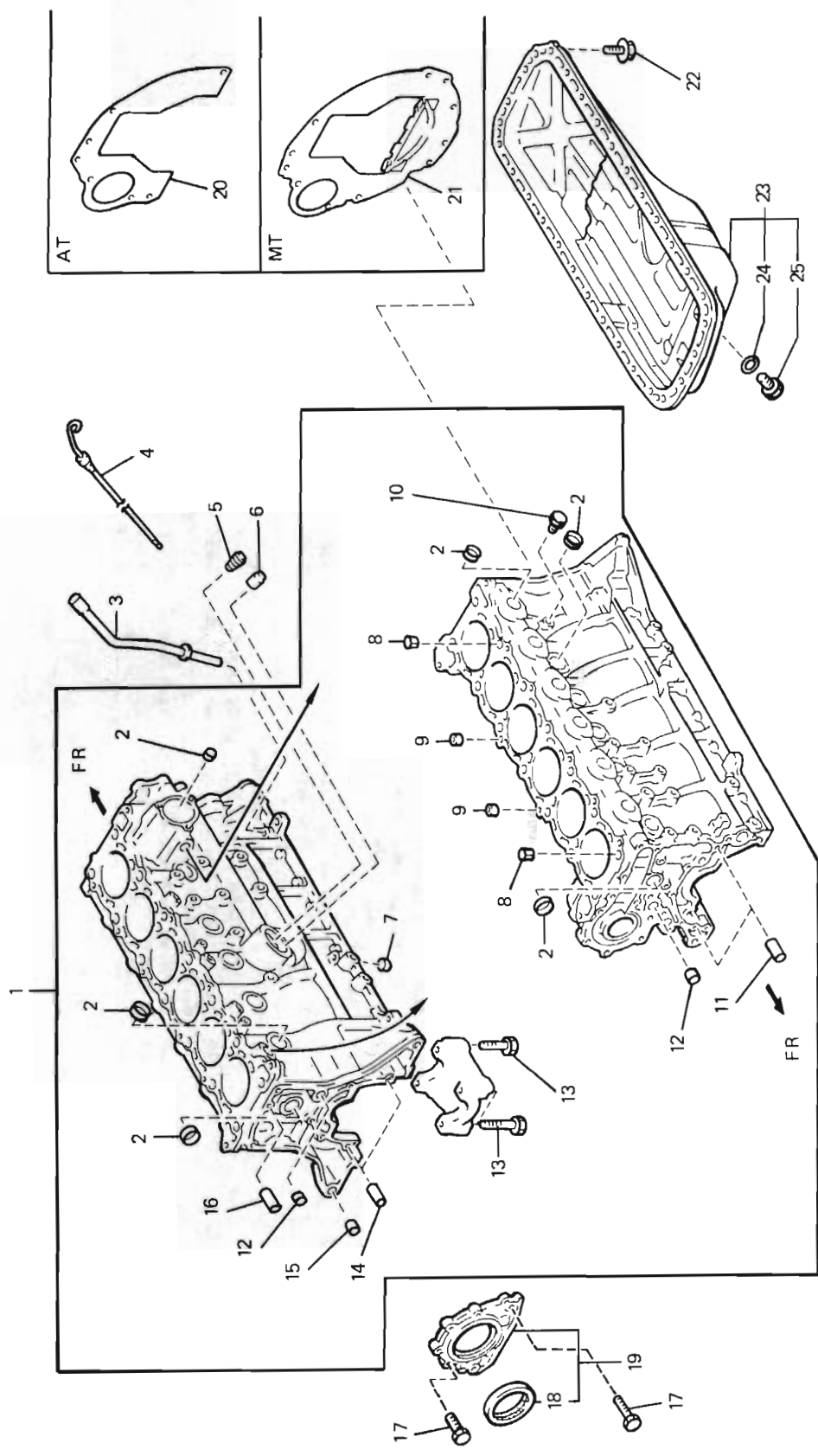


ENGINE GASKETS
6 CYLINDER ENGINE
VL SERIES

ILLUSTRATION OPPOSITE

REF. NO.	PART NAME	GROUP
1	GASKET KIT - Engine overhaul	0.010M
2	GASKET - Inlet manifold to cylinder head, Front	3.270
3	GASKET - Collector to manifold	3.270
4	GASKET - Throttle body to collector	3.335
5	GASKET - AAC valve to collector	3.318
6	GASKET - Inlet manifold to cylinder head, Rear	3.270
7	GASKET - Oil cap	1.758
8	GASKET - Valve rocker cover	0.423M
9	SEAL - Inlet valve stem	0.308M
10	SEAL - Exhaust valve stem	0.308M
11	GASKET - Cylinder head	0.289M
12	SEAL - Crankshaft rear bearing oil	0.137M
13	GASKET - Exhaust manifold to cylinder head	3.602
14	'O' RING - Distributor to engine	2.363
15	'O' RING - Screen & pipe to cylinder block	1.656
16	GASKET - Engine oil drain plug	1.456
17	GASKET - Engine oil pump to cylinder block	1.655
18	SEAL - Front	1.656
19	SEAL - Camshaft oil	0.519M
20	'O' RING - Camshaft retainer to cylinder head	0.519M
21	GASKET - Temperature sender	3.320
22	PLUG - Manifold	3.601

"V" SERIES PARTS CATALOGUE

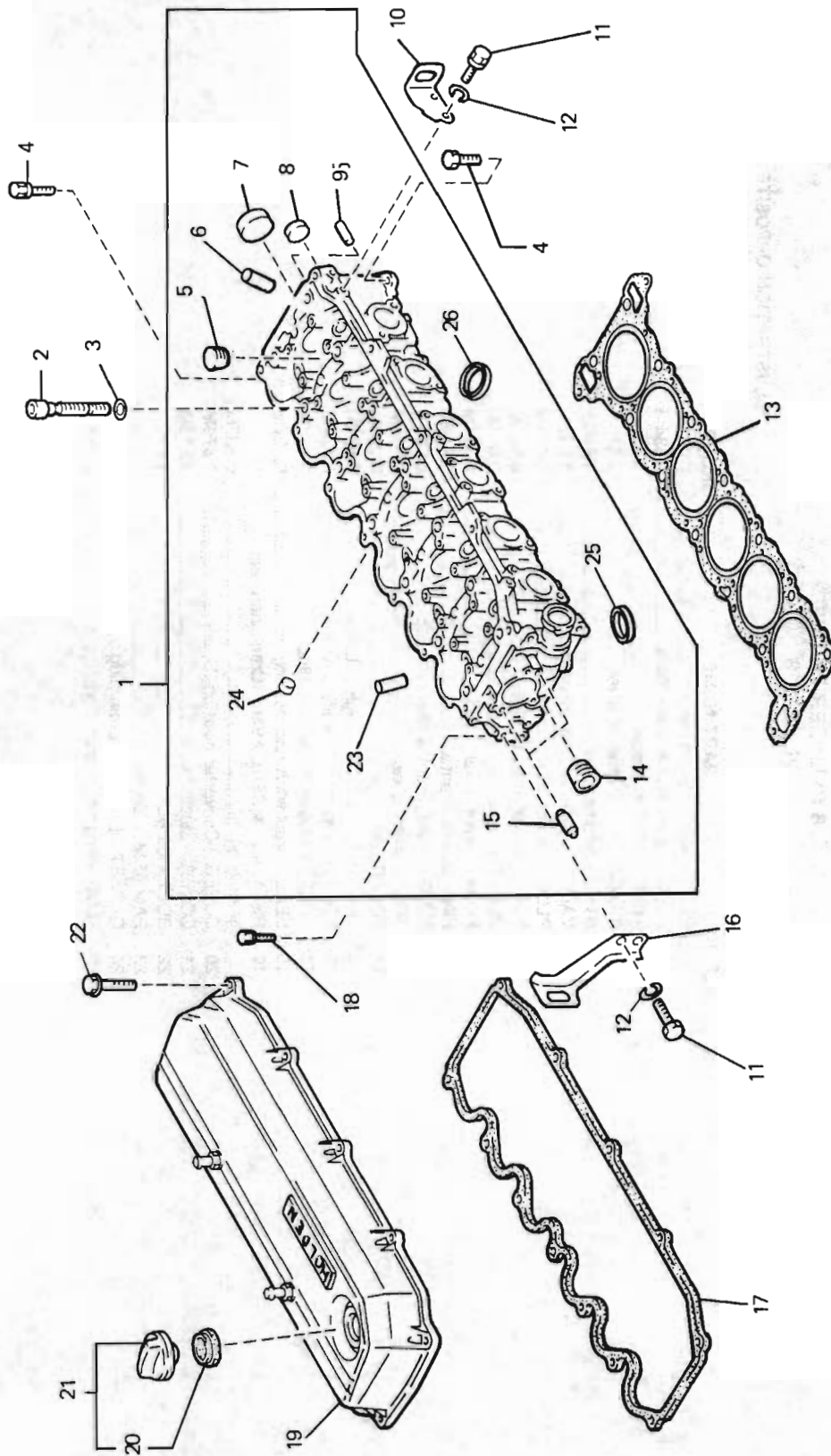




CYLINDER BLOCK & OIL PAN
6 CYLINDER ENGINE
VL SERIES

ILLUSTRATION OPPOSITE

REF. NO.	PART NAME	GROUP
1	BLOCK ASM. - Short motor.....	0.033M
2	PLUG - Water jacket core, Welsh.....	0.034M
3	TUBE - Oil level indicator.....	1.516
4	INDICATOR - Engine oil level.....	1.516
5	STUD - Engine oil filter.....	1.840
6	VALVE ASM. - Oil filter by pass.....	1.837
7	PLUG - Lower.....	0.034M
8	PIN - Cylinder head to block.....	0.034M
9	JET - Oil.....	0.034M
10	PLUG - Taper, Rear.....	0.034M
11	PIN - Dowel, Front.....	0.034M
12	PLUG - Blind, Front & rear.....	0.034M
13	BOLT - Bearing cap.....	0.056M
14	PIN - Dowel, Rear.....	0.034M
15	PIN - Transmission to engine, Lower.....	0.685M
16	PIN - Transmission to engine, Upper.....	0.685M
17	BOLT - Retainer to cylinder block.....	0.137M
18	SEAL - Crankshaft rear bearing oil.....	0.137M
19	RETAINER & SEAL ASM. - Crankshaft rear bearing oil.....	0.137M
20	COVER - Converter housing, Upper.....	0.679M
21	COVER - Clutch housing.....	0.679M
22	BOLT - Oil pan.....	1.428
23	PAN ASM. - Engine oil.....	1.426
24	GASKET - Engine oil drain plug.....	1.456
25	PLUG - Engine oil drain.....	1.453



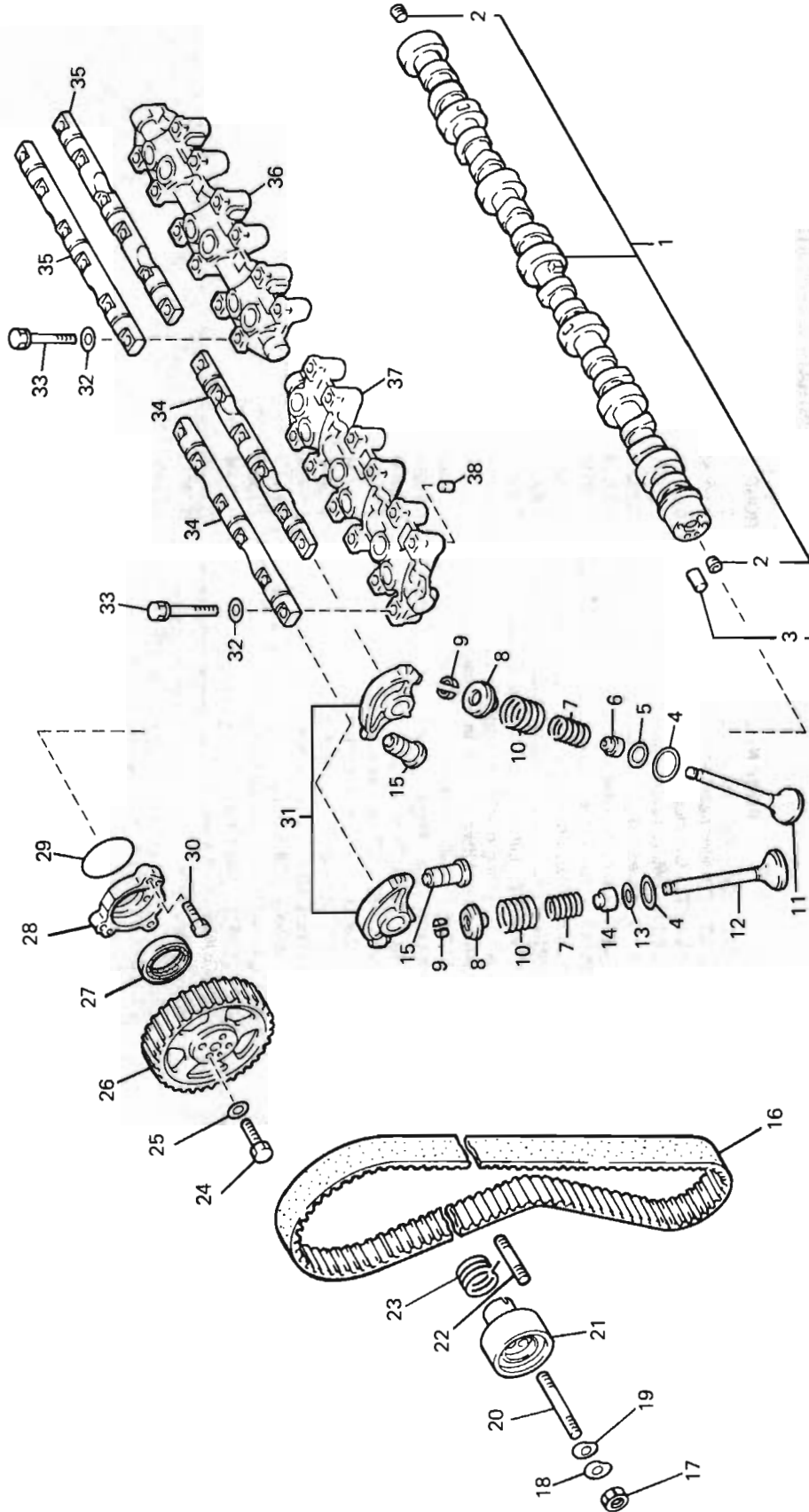


CYLINDER HEAD & ROCKER COVER
6 CYLINDER ENGINE
VL SERIES

ILLUSTRATION OPPOSITE

REF. NO.	PART NAME	GROUP
1	HEAD ASM. - Cylinder.....	0.269M
2	BOLT - Cylinder head, M11 X 1.5.....	0.293M
3	WASHER - Cylinder head.....	0.293M
4	BOLT - Cylinder head, Rear.....	0.293M
5	PLUG - Threaded.....	0.293M
6	GUIDE - Exhaust valve.....	0.333M
7	PLUG - Rear, Large.....	0.293M
8	PLUG - Rear, Small.....	0.293M
9	PIN - Rear.....	0.293M
10	BRACKET - Lifting, Rear.....	0.004M
11	BOLT - Lifting bracket to engine.....	0.004M
12	WASHER - Lifting bracket to engine.....	0.004M
13	GASKET - Cylinder head.....	0.289M
14	PLUG - Taper, Front.....	0.293M
15	PIN - Dowel, Rear.....	0.293M
16	BRACKET - Lifting, Front.....	0.004M
17	GASKET - Valve rocker cover.....	0.423M
18	BOLT - Cylinder head, Front.....	0.293M
19	COVER ASM. - Valve rocker.....	0.386M
20	GASKET - Oil filler cap.....	1.758
21	CAP ASM. - Engine oil filler.....	1.758
22	SCREW - Valve rocker cover.....	0.413M
23	GUIDE - Inlet valve.....	0.333M
24	PLUG - Side.....	0.293M
25	SEAT - Inlet valve.....	0.253M
26	SEAT - Exhaust valve.....	0.253M

"V" SERIES PARTS CATALOGUE

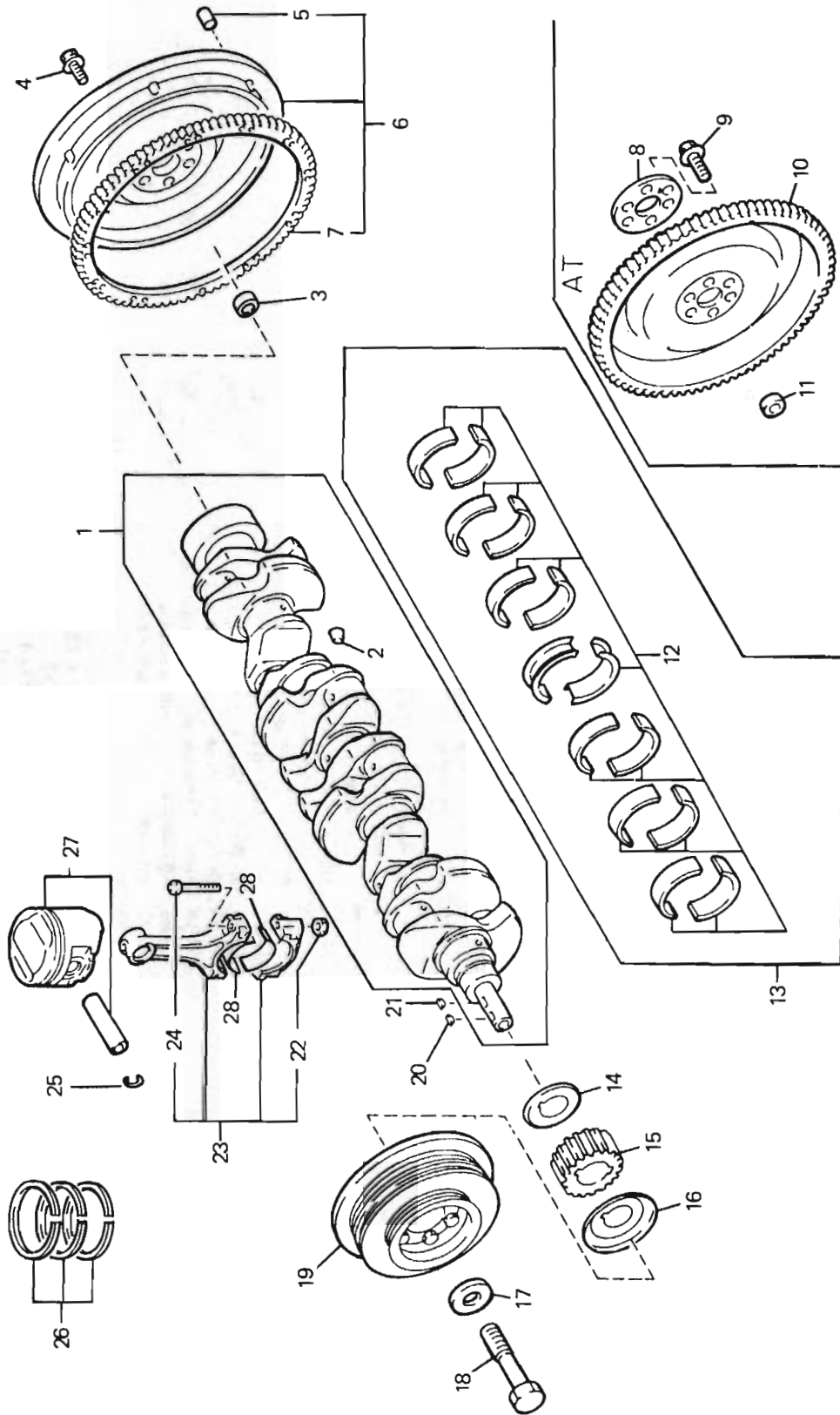




CAMSHAFT & VALVE MECHANISM
6 CYLINDER ENGINE
VL SERIES

ILLUSTRATION OPPOSITE

REF. NO.	PART NAME	GROUP
1	CAMSHAFT.....	0.519M
2	PLUG - Camshaft.....	0.553M
3	PIN - Dowel, Gear to camshaft.....	0.738M
4	SEAT - Valve spring, Outer.....	0.309M
5	SEAT - Inner, Exhaust.....	0.309M
6	SEAL - Exhaust valve.....	0.308M
7	SPRING - Inner.....	0.303M
8	CAP - Valve spring.....	0.309M
9	COLLET - Valve stem.....	0.310M
10	SPRING - Outer.....	0.303M
11	VALVE - Exhaust.....	0.297M
12	VALVE - Inlet.....	0.296M
13	SEAT - Inner, Inlet.....	0.309M
14	SEAL - Inlet valve.....	0.308M
15	LIFTER - Hydraulic valve.....	0.459M
16	BELT - Engine timing.....	0.724M
17	NUT - Tensioner.....	0.724M
18	WASHER - Lock, Tensioner.....	0.724M
19	WASHER - Flat, Tensioner.....	0.724M
20	STUD - Tensioner.....	0.724M
21	TENSIONER ASM.....	0.724M
22	STUD - Tensioner spring.....	0.724M
23	SPRING - Tensioner.....	0.724M
24	BOLT - Gear to camshaft.....	0.738M
25	WASHER - Gear to camshaft.....	0.738M
26	GEAR - Camshaft.....	0.736M
27	SEAL - Camshaft oil.....	0.519M
28	RETAINER - Camshaft.....	0.533M
29	'O' RING - Camshaft retainer to cylinder head.....	0.519M
30	BOLT - Retainer.....	0.533M
31	ARM - Valve rocker.....	0.333M
32	WASHER - Valve rocker shaft.....	0.349M
33	BOLT - Valve rocker shaft.....	0.349M
34	SHAFT - Valve rocker, Front.....	0.353M
35	SHAFT - Valve rocker, Rear.....	0.353M
36	GUIDE - Valve lifter, Rear.....	0.459M
37	GUIDE - Valve lifter, Front.....	0.459M
38	PIN - Valve lifter guide.....	0.459M

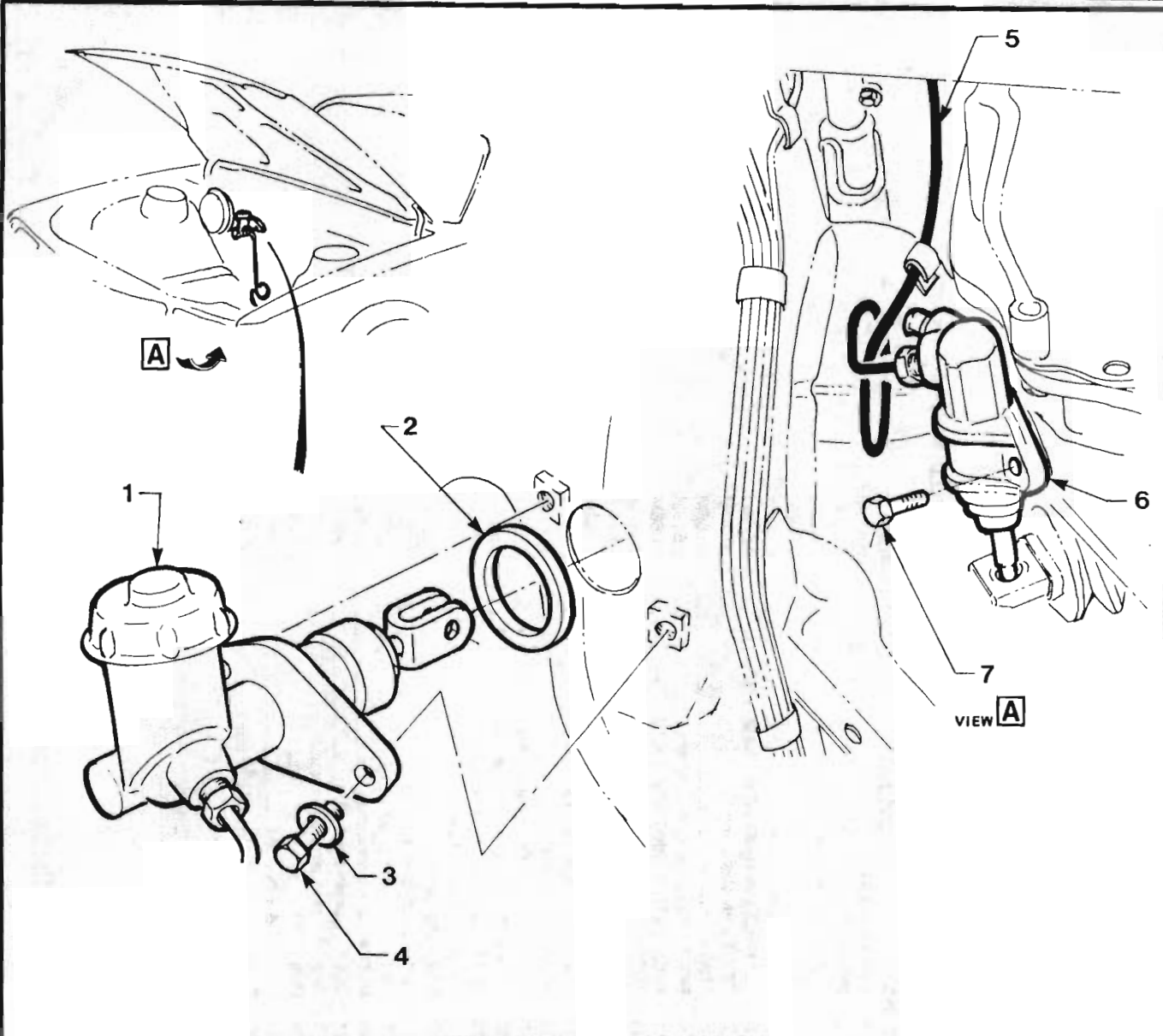




CRANKSHAFT, PISTON & FLYWHEEL
6 CYLINDER ENGINE
VL SERIES

ILLUSTRATION OPPOSITE

REF. NO.	PART NAME	GROUP
1	CRANKSHAFT.....	0.646M
2	PLUG - Oil hole.....	0.646M
3	BUSH - Crankshaft, Clutch pilot.....	0.649M
4	BOLT - Flywheel to crankshaft.....	0.669M
5	PIN - Dowel - Flywheel.....	0.669M
6	FLYWHEEL & RING GEAR ASM. - (M).....	0.666M
7	GEAR - Flywheel ring.....	0.673M
8	PLATE - Spacer.....	0.666M
9	BOLT - Flexplate to crankshaft.....	0.669M
10	FLEXPLATE & RING GEAR ASM. - (A).....	0.666M
11	BUSH - Crankshaft, Converter pilot.....	0.649M
12	BEARING - Crankshaft.....	0.094M
13	BEARING SET - Crankshaft.....	0.094M
14	PLATE - Crankshaft gear, Inner.....	0.729M
15	GEAR - Crankshaft.....	0.728M
16	PLATE - Crankshaft gear, Outer.....	0.729M
17	WASHER - Damper to crankshaft.....	0.662M
18	BOLT - Damper to crankshaft.....	0.662M
19	DAMPER ASM. - Crankshaft.....	0.659M
20	KEY - Damper to crankshaft.....	0.662M
21	KEY - Gear to crankshaft.....	0.729M
22	NUT - Connecting rod bolt.....	0.626M
23	ROD ASM. - Connecting.....	0.603M
24	BOLT - Connecting rod.....	0.623M
25	RING - Piston pin retaining.....	0.639M
26	RING SET - Piston.....	0.643M
27	PISTON & PIN ASM.....	0.629M
28	BEARING - Connecting rod.....	0.616M

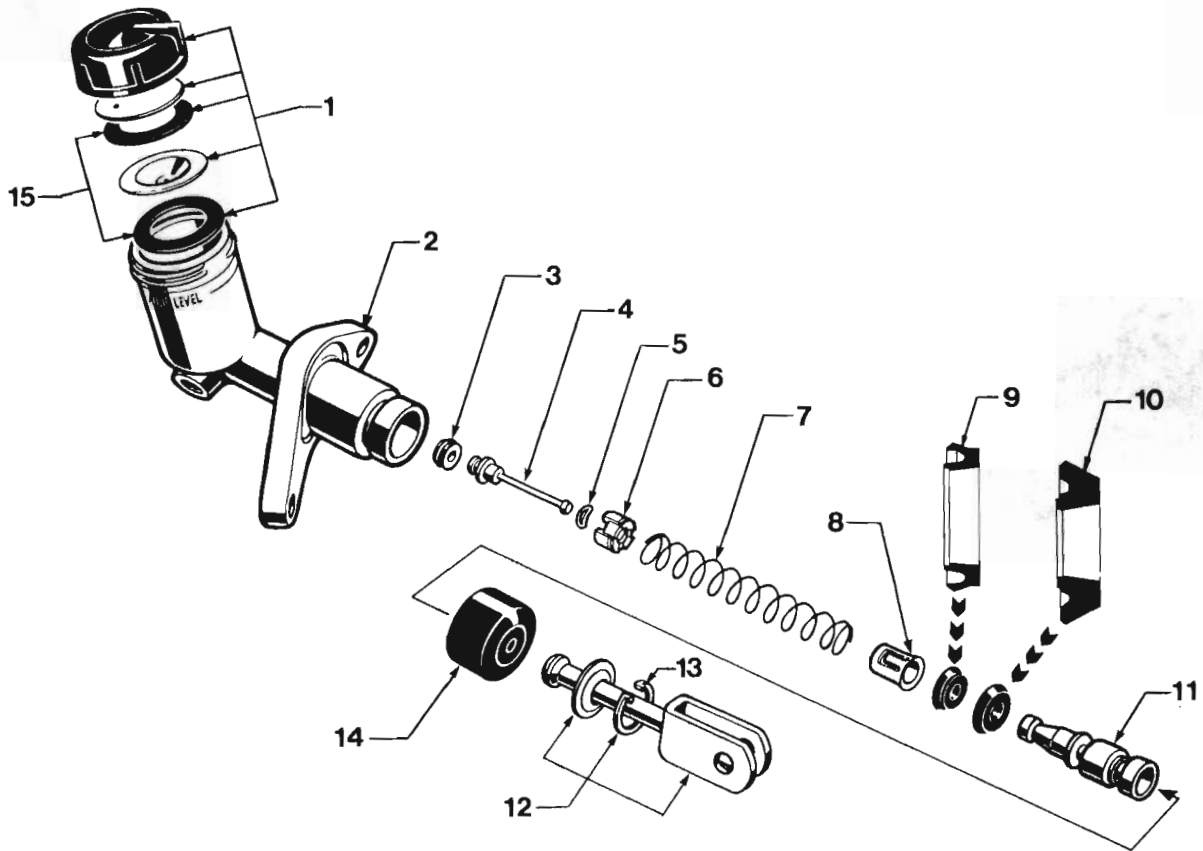


**CLUTCH OPERATING SYSTEM
(M) 6 CYLINDER ENGINE
VL SERIES**

REF. NO.	PART NAME	GROUP
1	CYLINDER ASM. - Clutch main.....	0.775M
2	SEAL - Clutch main cylinder to dash panel	0.775M
3	WASHER - Clutch main cylinder to dash panel..	0.777M
4	BOLT - Clutch main cylinder to dash panel	0.777M
5	PIPE ASM. - Clutch main cylinder to slave cylinder	0.785M
6	CYLINDER ASM. - Clutch slave.....	0.780M
7	BOLT - Clutch slave cylinder to transmission.....	0.782M



"V" SERIES PARTS CATALOGUE

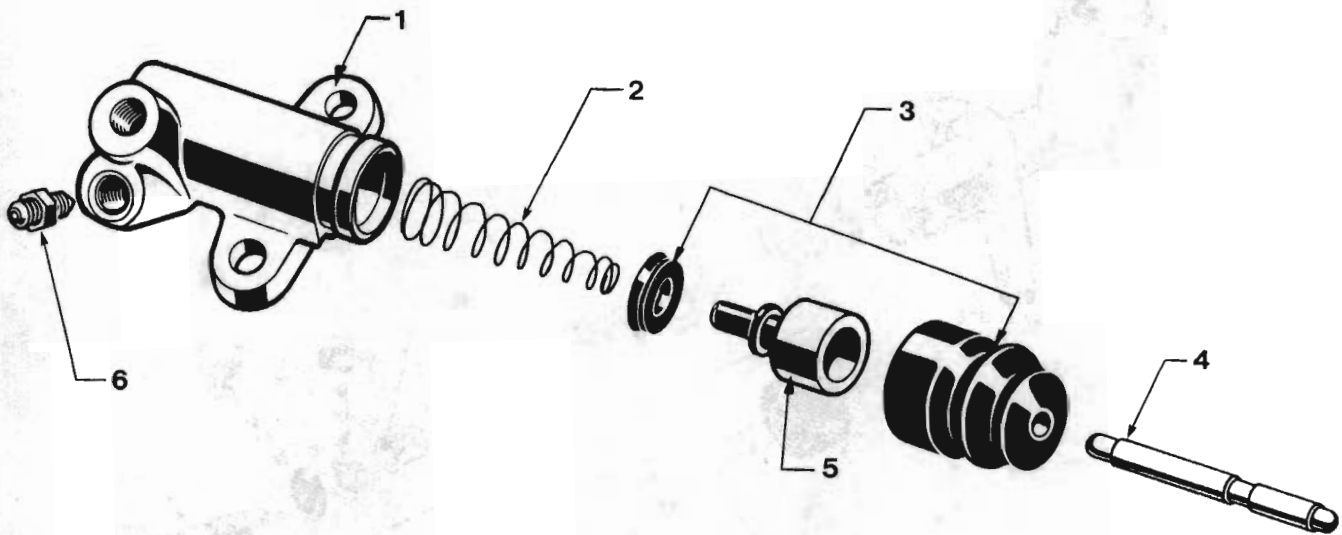


CLUTCH MAIN CYLINDER

(M) 6 CYLINDER ENGINE
VL SERIES

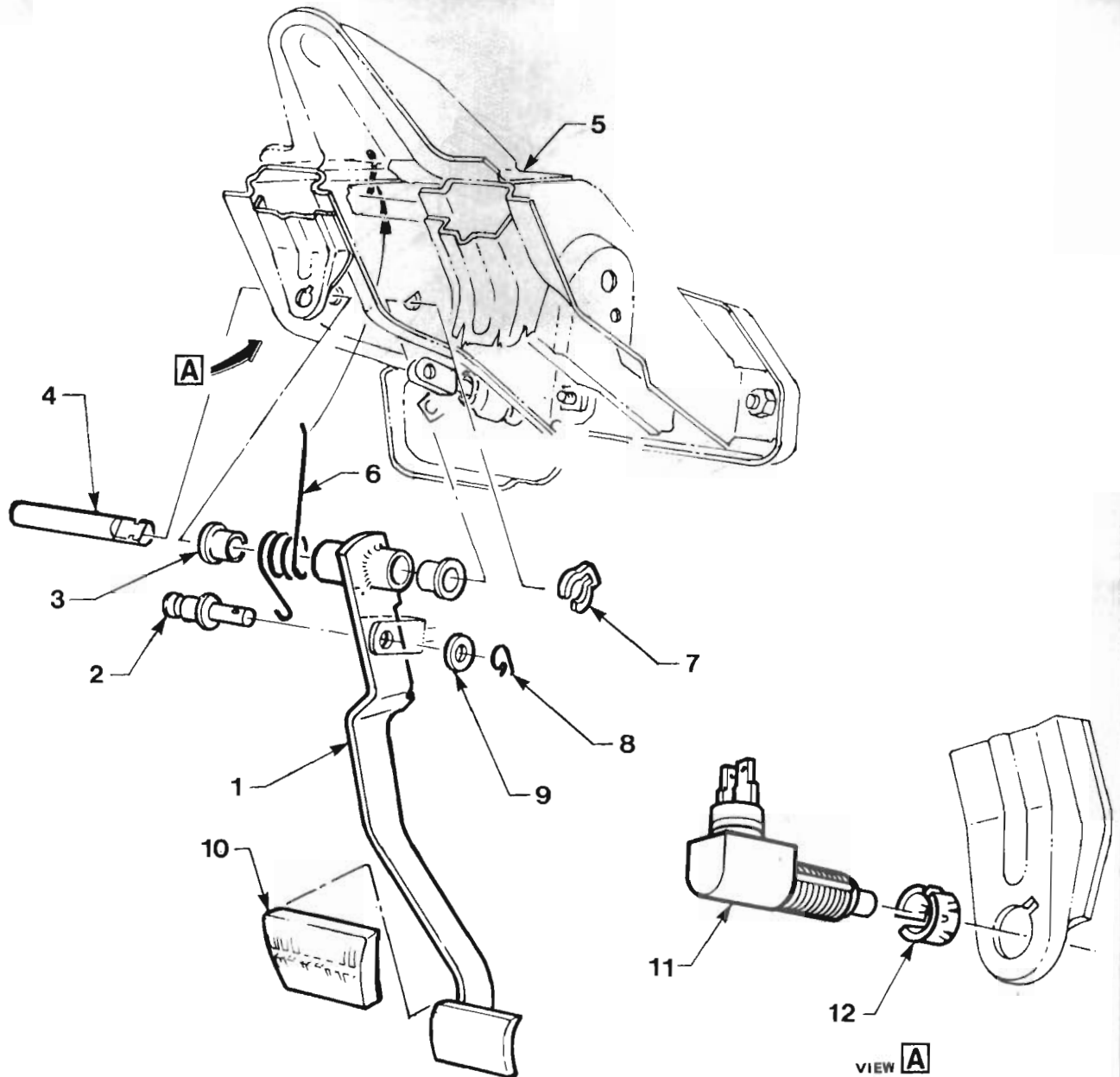
REF. NO.	PART NAME	GROUP
1	CAP - Main cylinder reservoir.....	0.775M
2	BODY - Main cylinder.....	NSS
3(A)	VALVE - Main cylinder.....	NSS
4	STEM - Valve.....	NSS
5(A)	WASHER - Spring.....	NSS
6	SPACER - Valve.....	NSS
7	SPRING - Main cylinder.....	NSS
8	THIMBLE - Spring.....	NSS
9(A)	CUP - Primary.....	NSS
10(A)	CUP - Secondary.....	NSS
11	PISTON - Main cylinder.....	NSS
12	ROD - Cylinder push.....	0.775M
13	CIRCLIP - Push rod.....	0.775M
14(A)	BOOT - Main cylinder.....	NSS
15	GASKET - Reservoir cap.....	0.775M

NOTE:- (A Parts are included in REPAIR KIT - Clutch main cylinder. Refer Group 0.775M



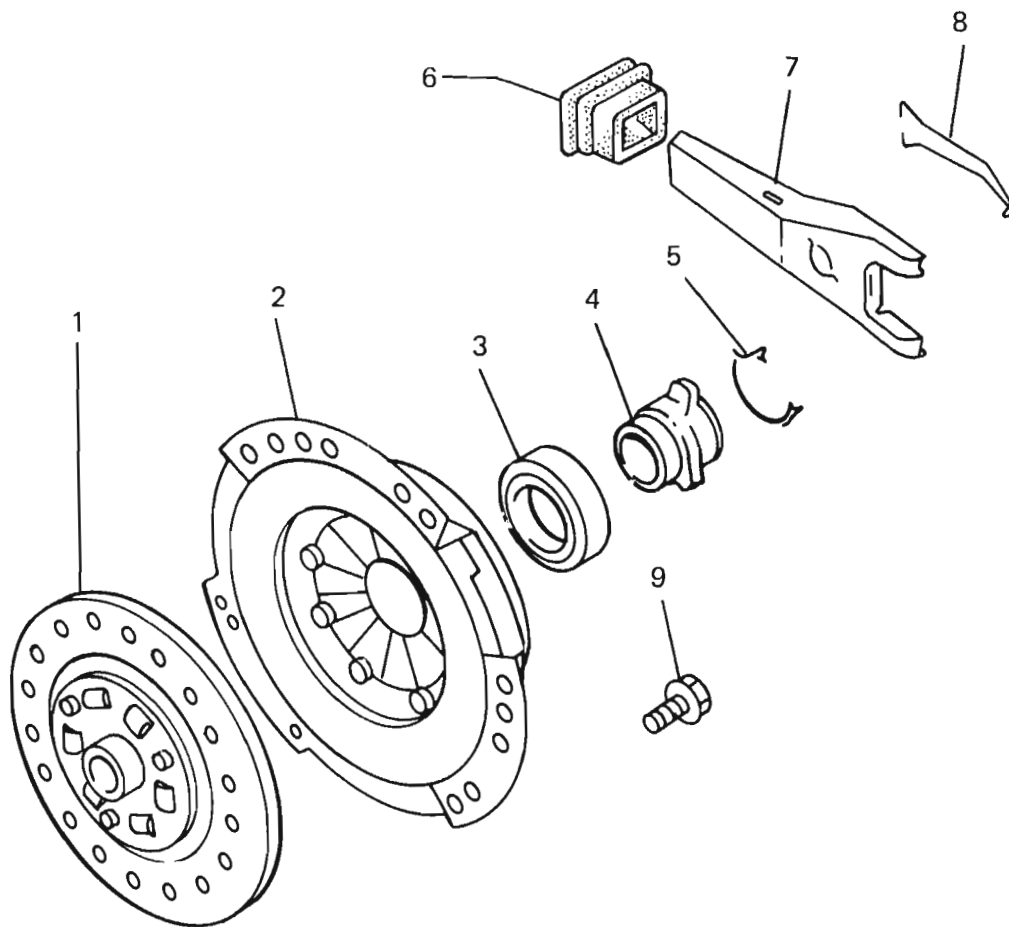
**CLUTCH SLAVE CYLINDER
(M) 6 CYLINDER ENGINE
VL SERIES**

REF. NO.	PART NAME	GROUP
1	BODY - Slave cylinder	NSS
2	SPRING - Slave cylinder	NSS
3	REPAIR KIT - Slave cylinder	0.780M
4	ROD - Cylinder push	0.787M
5	PISTON - Slave cylinder	NSS
6	VALVE - Cylinder bleed	0.780M



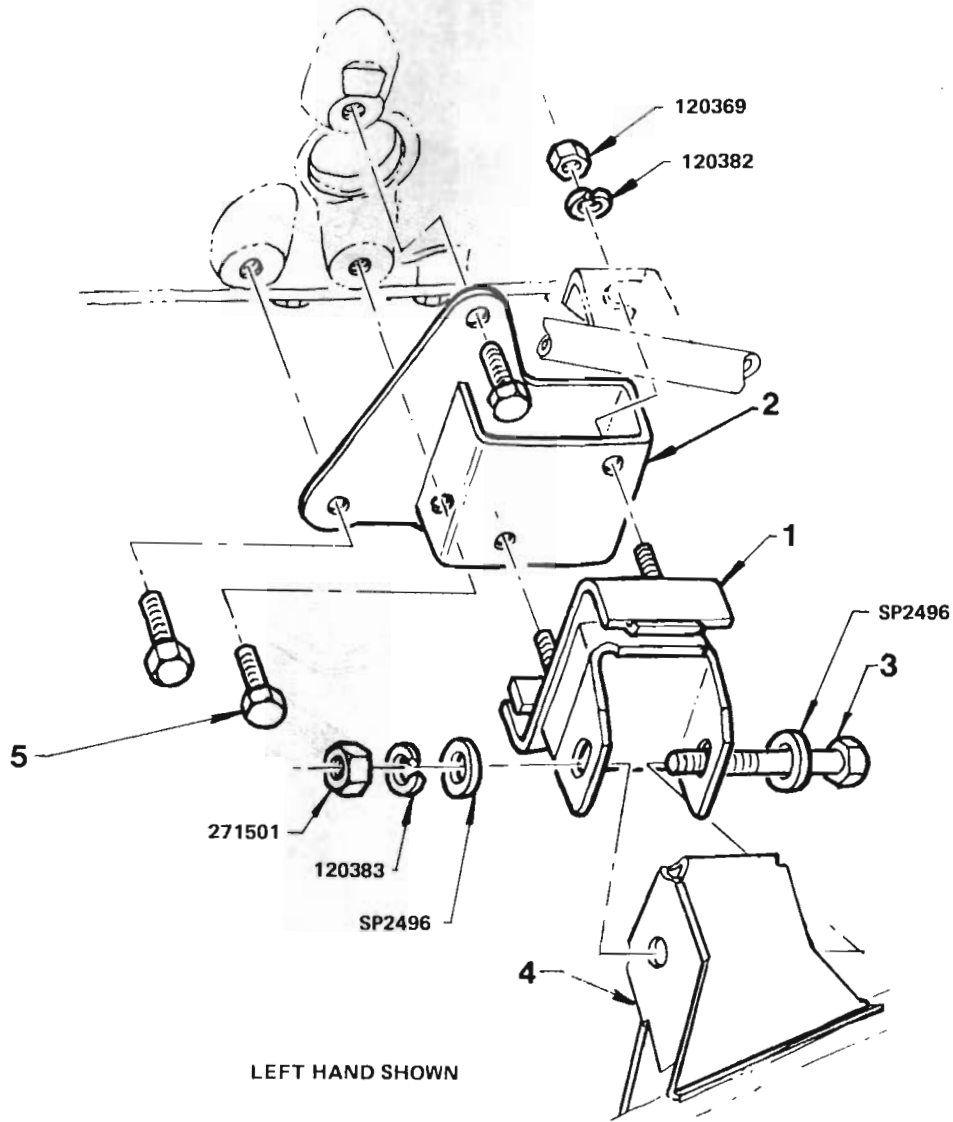
CLUTCH PEDAL & MOUNTING
 (M) 6 CYLINDER ENGINE
 VL SERIES

REF. NO.	PART NAME	GROUP
1	PEDAL ASM. - Clutch	0.830M
2	PIN - Clutch pedal	0.833M
3	BUSH - Clutch pedal pivot	0.831M
4	SHAFT - Clutch & brake pedal mounting	0.833M
5	SUPPORT ASM. - Clutch pedal	0.829M
6	SPRING - Clutch pedal return	0.844M
7	CLIP - Pedal shaft to bracket, Locking	0.833M
8	RETAINER - Clutch pedal pin	0.833M
9	WASHER - Clutch pedal pin	0.833M
10	PAD - Clutch pedal	0.830M
11	SWITCH ASM. - Clutch, Cruise control	3.883
12	CLIP - Clutch switch mounting	3.883



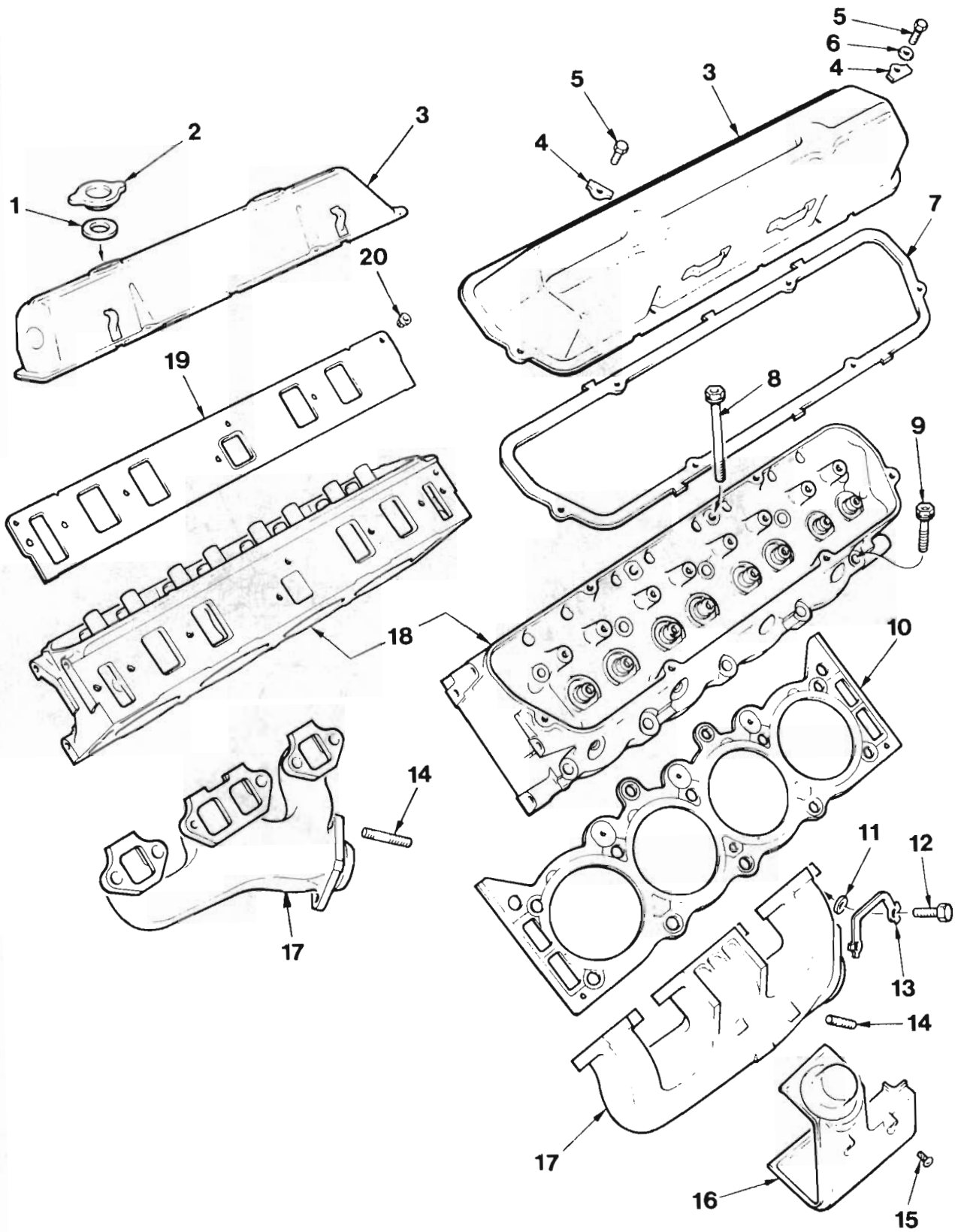
CLUTCH
(M) 6 CYLINDER ENGINE
VL SERIES

REF. NO.	PART NAME	GROUP
1	PLATE ASM. - Clutch driven.....	0.886M
2	COVER & PRESSURE PLATE ASM.....	0.859M
3	BEARING ASM. - Clutch throwout.....	0.799M
4	SLEEVE - Clutch throwout bearing.....	0.805M
5	SPRING - Clutch throwout bearing.....	0.805M
6	COVER - Dust.....	0.797M
7	FORK - Clutch.....	0.795M
8	SPRING - Clutch fork retaining.....	0.797M
9	BOLT - Clutch to flywheel.....	0.862M



ENGINE MOUNTINGS
8 CYLINDER ENGINE
VL SERIES

REF. NO.	PART NAME	GROUP
1	MOUNTING ASM.....	0.027T
2	BRACKET - Engine to front mounting.....	0.029T
3	BOLT - Mounting to crossmember bracket.....	0.002T
4	BRACKET ASM. - Engine mounting to crossmember.....	6.008
5	BOLT - Bracket to engine.....	0.029T





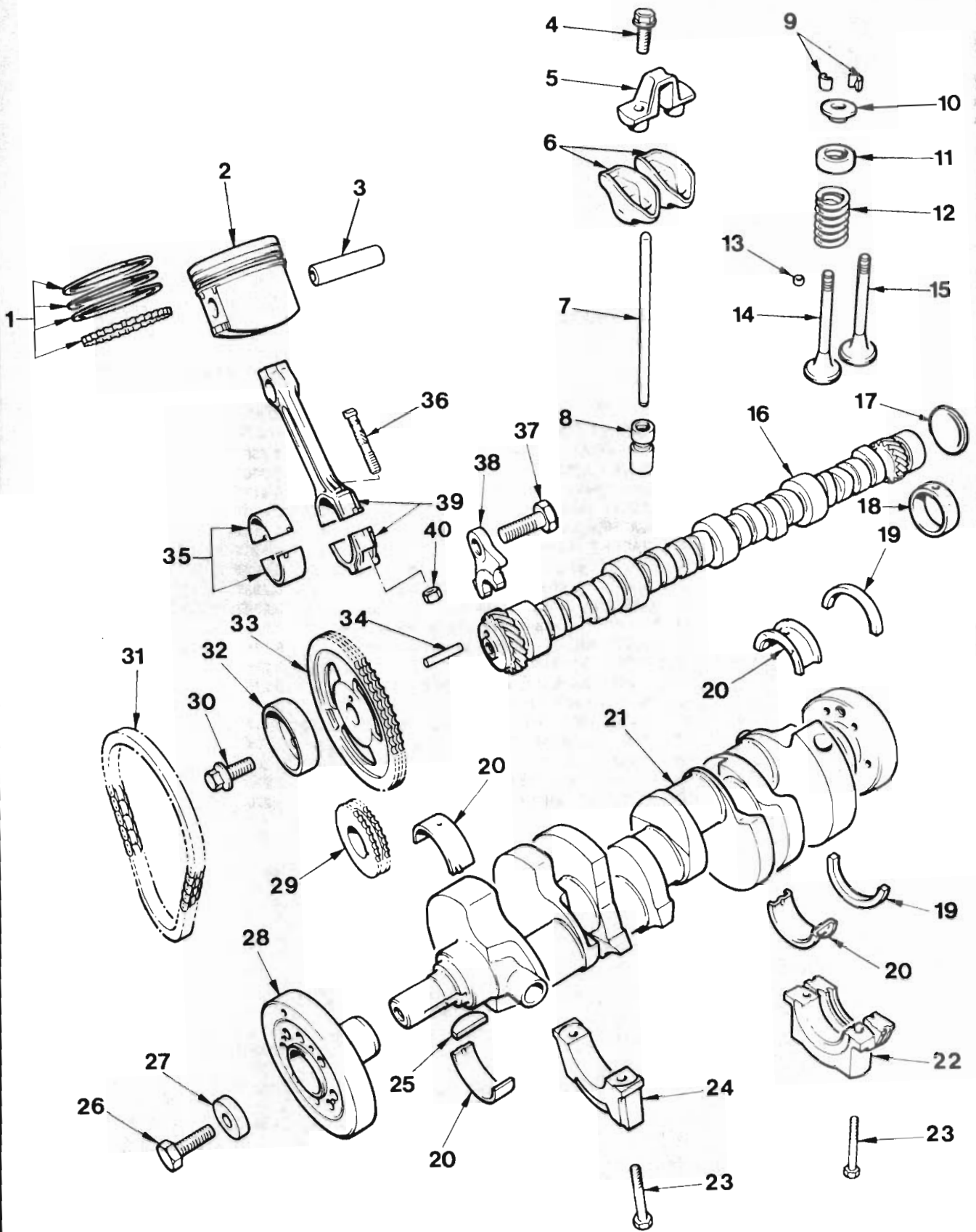
"V" SERIES PARTS CATALOGUE

CYLINDER HEAD 8 CYLINDER ENGINE VL SERIES

ILLUSTRATION OPPOSITE

REF. NO.	PART NAME	GROUP
1	GASKET - Oil filler cap.....	N.S.S.
2	CAP ASM. - Oil filler	1.758
3	COVER ASM. - Valve rocker	0.386T
4	REINFORCEMENT - Valve rocker cover.....	0.413T
5	BOLT - Valve rocker cover	0.413T
6	WASHER - Valve rocker cover.....	0.413T
7	GASKET - Valve rocker cover.....	0.423T
8	BOLT - Cylinder head, 4 1/4" long.....	0.293T
9	BOLT - Cylinder head, 1 11/16" long.....	0.293T
10	GASKET - Cylinder head.....	0.289T
11	WASHER - Exhaust manifold to cylinder head....	3.275
12	BOLT - Exhaust manifold to cylinder head	3.275
13	PLATE - Bolt lock.....	3.275
14	STUD - Manifold to exhaust pipe.....	3.275
15	SCREW - Stove to manifold	3.417
16	STOVE ASM. - Air cleaner air pre heat.....	3.417
17	MANIFOLD ASM. - Exhaust.....	3.601
18	HEAD - Cylinder.....	0.269T
19	GASKET - Inlet manifold	3.270
20	RETAINER - Inlet manifold gasket	3.270

"V" SERIES PARTS CATALOGUE





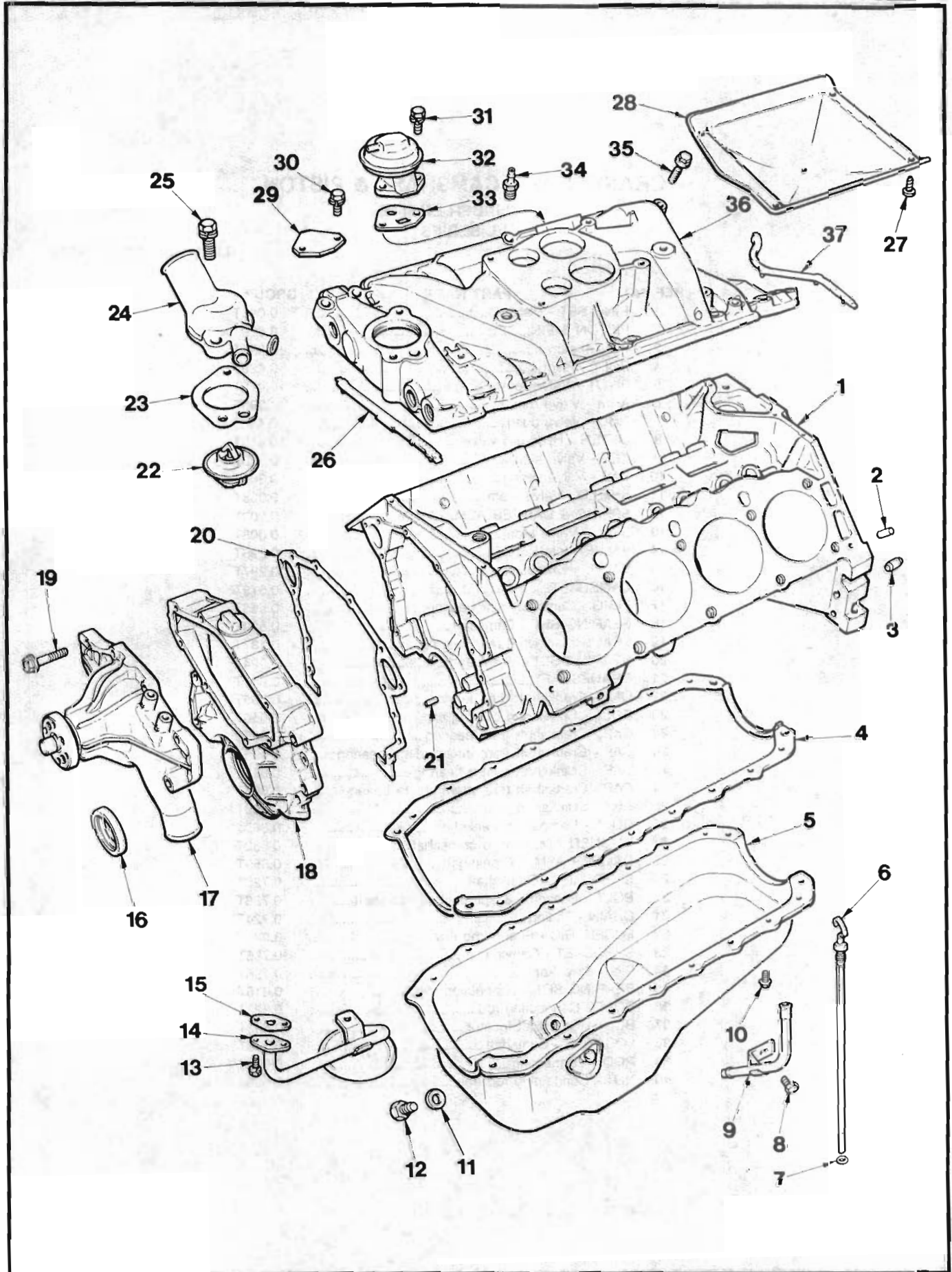
"V" SERIES PARTS CATALOGUE

CRANKSHAFT, CAMSHAFT & PISTON 8 CYLINDER ENGINE VL SERIES

ILLUSTRATION OPPOSITE

REF. NO.	PART NAME	GROUP
1	RING SET - Piston	0.643T
2	PISTON & PIN	0.629T
3	PIN - Piston	0.636T
4	BOLT - Pivot	0.429T
5	PIVOT - Valve rocker arm	0.429T
6	ARM - Valve rocker	0.333T
7	ROD - Valve push	0.426T
8	LIFTER - Hydraulic valve	0.459T
9	KEY - Valve stem	0.310T
10	CAP - Valve spring	0.309T
11	SHIELD - Valve stem	0.308T
12	SPRING & DAMPER ASM. - Valve	0.303T
13	SEAL - Valve stem	0.308T
14	VALVE - Inlet	0.296T
15	VALVE - Exhaust	0.297T
16	CAMSHAFT	0.519T
17	PLUG - Camshaft rear bearing	0.553T
18	BEARING SET - Camshaft	0.539T
19	SEAL - Crankshaft rear bearing oil	0.137T
20	BEARING SET - Crankshaft	0.094T
21	CRANKSHAFT	0.646T
22	CAP - Crankshaft rear bearing	0.095T
23	BOLT - Crankshaft bearing cap	0.056T
24	CAP - Crankshaft front bearing	0.095T
24	CAP - Crankshaft front intermediate bearing	0.095T
24	CAP - Crankshaft centre bearing	0.095T
24	CAP - Crankshaft rear intermediate bearing	0.095T
25	KEY - Crankshaft	0.729T
26	BOLT - Damper to crankshaft	0.662T
27	WASHER - Damper to crankshaft	0.662T
28	DAMPER ASM. - Crankshaft	0.659T
29	SPROCKET - Crankshaft	0.728T
30	BOLT - Eccentric & sprocket to camshaft	0.736T
31	CHAIN - Timing	0.724T
32	ECCENTRIC - Fuel pump drive	3.935
33	SPROCKET - Camshaft	0.736T
34	PIN - Sprocket	0.736T
35	BEARING SET - Connecting rod	0.616T
36	BOLT - Connecting rod	0.623T
37	BOLT - Camshaft locator	0.533T
38	LOCATOR - Camshaft	0.533T
39	ROD - Connecting	0.603T
40	NUT - Connecting rod bolt	0.626T

"V" SERIES PARTS CATALOGUE

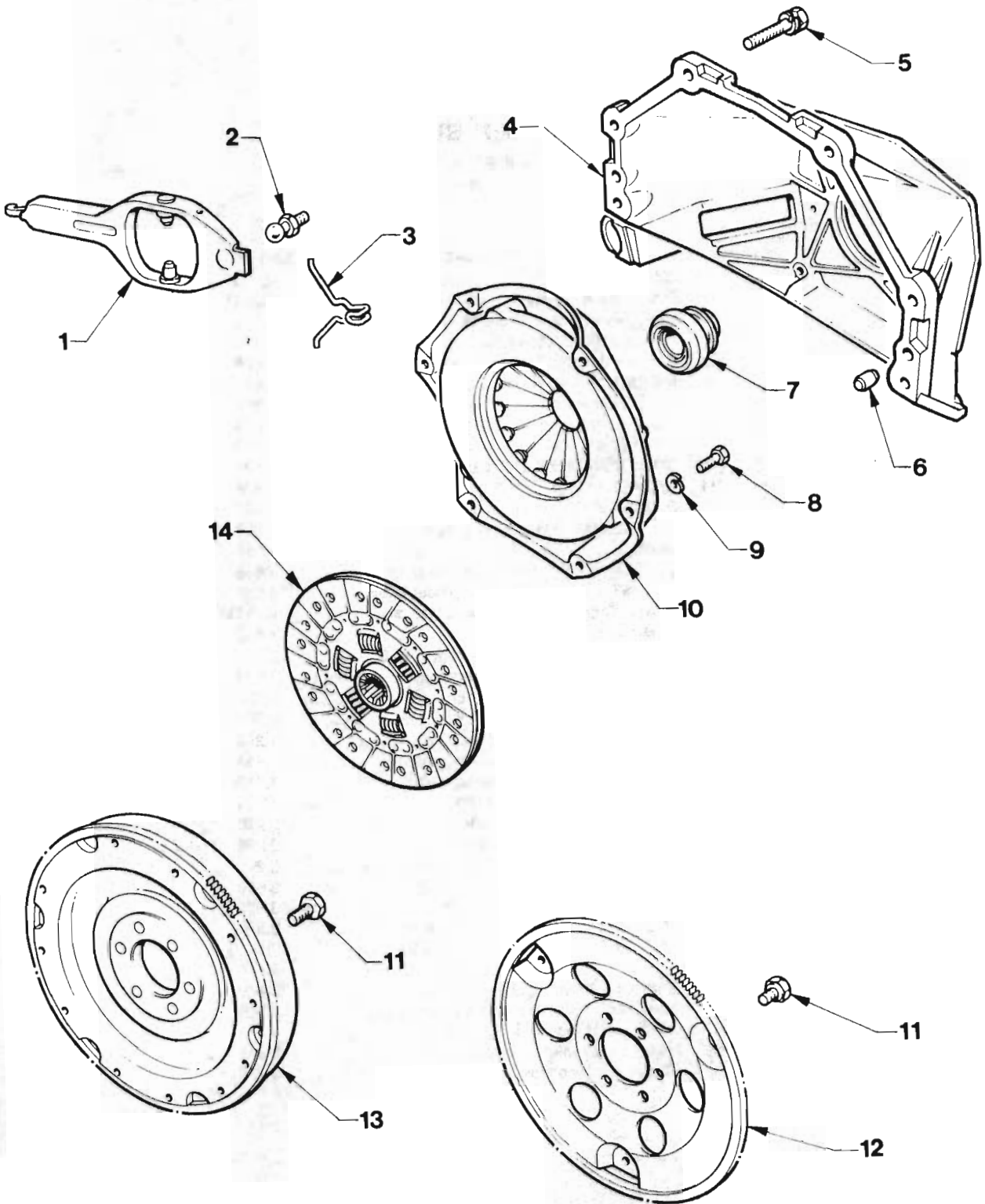




**CYLINDER BLOCK
8 CYLINDER ENGINE
VL SERIES**

ILLUSTRATION OPPOSITE

REF. NO.	PART NAME	GROUP
1	CYLINDER BLOCK.....	0.033T
2	PIN - Dowel, Cylinder head to cylinder block	0.034T
3	PIN - Housing to cylinder block.....	0.683T
4	SEAL - Oil pan complete.....	1.429
5	PAN ASM. - Oil	1.426
6	INDICATOR - Oil level	1.516
7	SEAL - Oil level indicator tube	1.516
8	BOLT - Exhaust manifold to cylinder head	1.516
9	TUBE ASM. - Oil level indicator.....	1.516
10	BOLT & WASHER - Oil pan	1.428
11	GASKET - Oil pan drain plug	1.456
12	PLUG - Oil pan drain	1.453
13	BOLT & WASHER - Suction pipe to cylinder block	1.656
14	SCREEN & PIPE ASM. - Oil pump suction	1.656
15	GASKET - Suction pipe to cylinder block.....	1.656
16	SEAL - Crankcase front end cover oil	0.213T
17	PUMP ASM. - Water	1.069
18	COVER ASM. - Crankcase front end	0.206T
19	BOLT - Water pump & cover to cylinder block ...	1.079
20	GASKET - Crankcase front end cover.....	0.207T
21	PIN - Cover to cylinder block	0.206T
22	THERMOSTAT ASM.	1.246
23	GASKET - Thermostat housing outlet cover	1.154
24	COVER - Thermostat housing outlet.....	1.153
25	BOLT - Cover to inlet manifold	1.153
26	SEAL - Inlet manifold, Front	3.270
27	SCREW - Guard to manifold.....	3.265
28	GUARD - Inlet manifold oil splash.....	3.265
29	PLATE - E.G.R. valve hole closing.....	3.670
30	BOLT & WASHER - Plate to manifold.....	3.670
31	BOLT & WASHER - Valve to manifold	3.670
32	VALVE ASM. - Exhaust gas recirculation (E.G.R.).....	3.670
33	GASKET - Valve or plate to manifold	3.670
34	ADAPTOR - Inlet manifold vacuum	3.265
35	BOLT - Inlet manifold.....	3.275
36	MANIFOLD - Inlet.....	3.265
37	SEAL - Inlet manifold, Rear	3.270

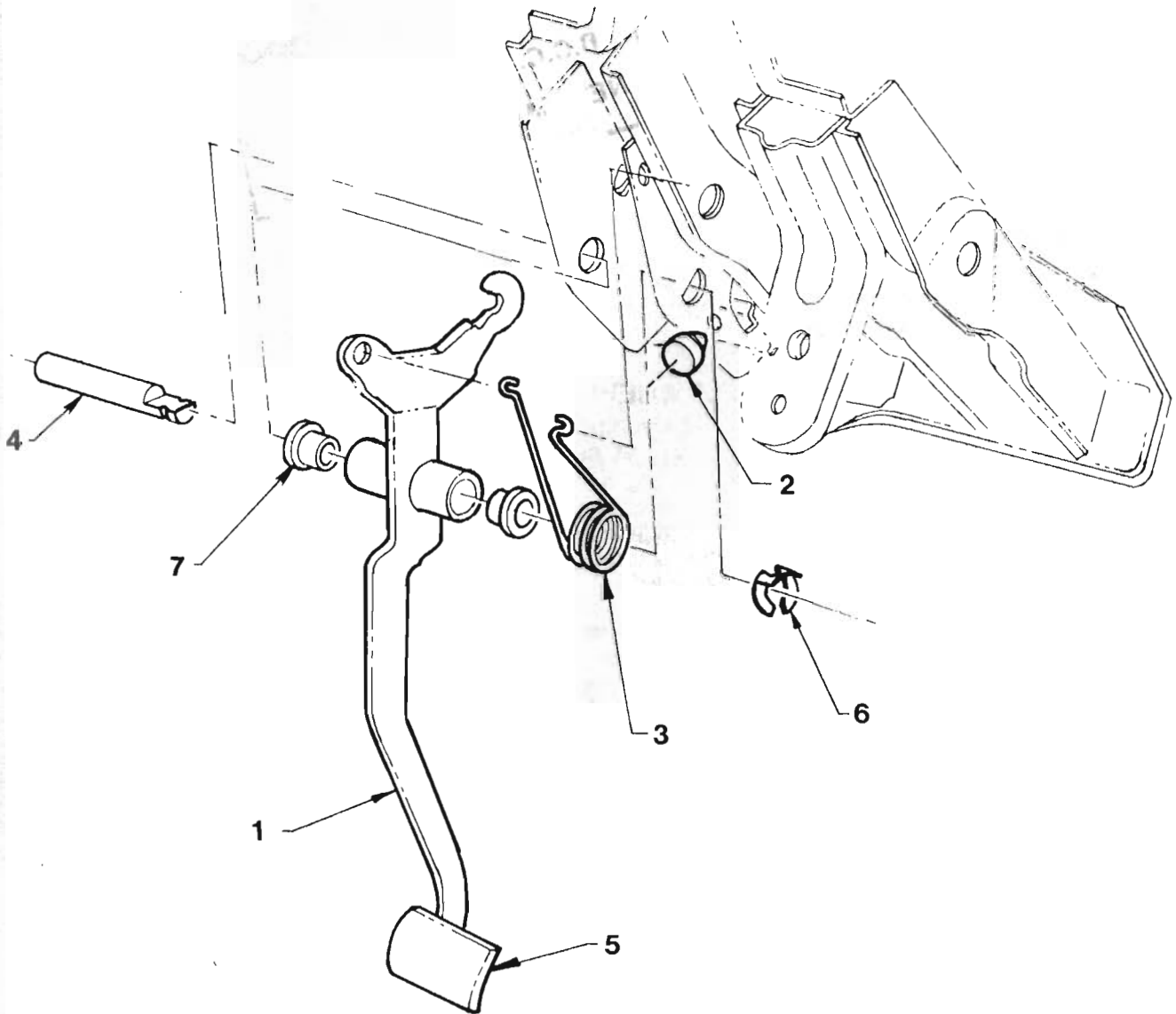




**FLYWHEEL & CLUTCH
8 CYLINDER ENGINE
VL SERIES**

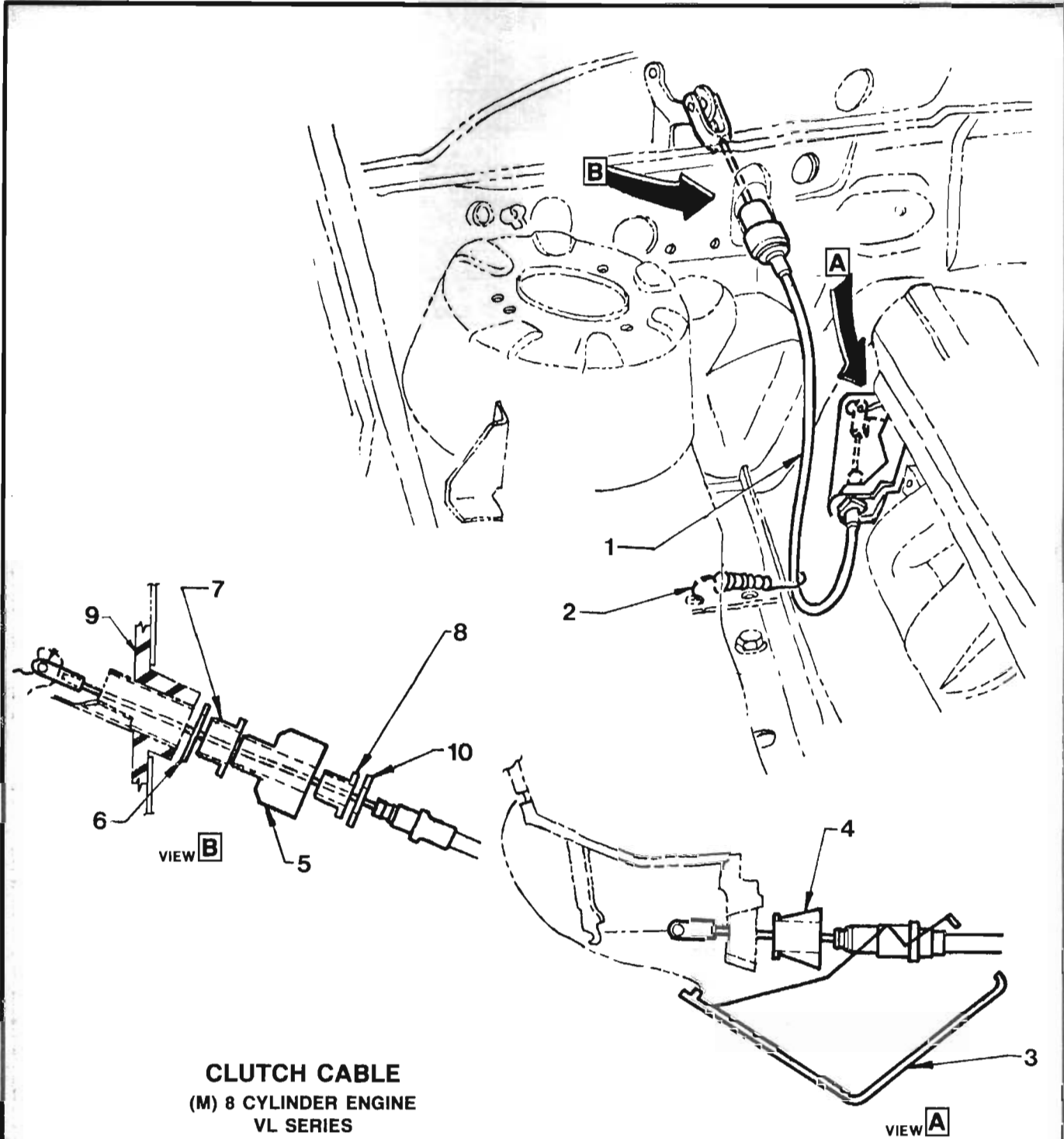
ILLUSTRATION OPPOSITE

REF. NO.	PART NAME	GROUP
1	FORK - Clutch.....	0.795T
2	STUD - Clutch fork ball.....	0.796T
3	SPRING - Clutch fork retaining.....	0.797T
4	HOUSING ASM. - Clutch.....	0.683T
5	BOLT - Housing to cylinder block.....	0.683T
6	PIN - Housing to cylinder block.....	0.683T
7	BEARING ASM. - Clutch throw out.....	0.799T
8	BOLT - Clutch to flywheel.....	0.862T
9	WASHER - Clutch to flywheel.....	0.862T
10	COVER & PRESSURE PLATE ASM. - Clutch.....	0.859T
11	BOLT - Flywheel to crankshaft.....	0.669T
12	FLYWHEEL & RING GEAR ASM. - (A).....	0.666T
13	FLYWHEEL & RING GEAR ASM. - (M).....	0.666T
14	PLATE - Clutch driven.....	0.886T



**CLUTCH PEDAL
(M) 8 CYLINDER ENGINE
VL SERIES**

REF. NO.	PART NAME	GROUP
1	PEDAL ASM.	0.830T
2	BUFFER - Clutch pedal stop	0.829T
3	SPRING - Clutch return	0.844T
4	SHAFT - Clutch & brake pedal mounting	0.833T
5	PAD - Clutch pedal	0.830T
6	WASHER - Pedal shaft to bracket, Locking	0.833T
7	BUSH - Pedal pivot	0.831T



**CLUTCH CABLE
(M) 8 CYLINDER ENGINE
VL SERIES**

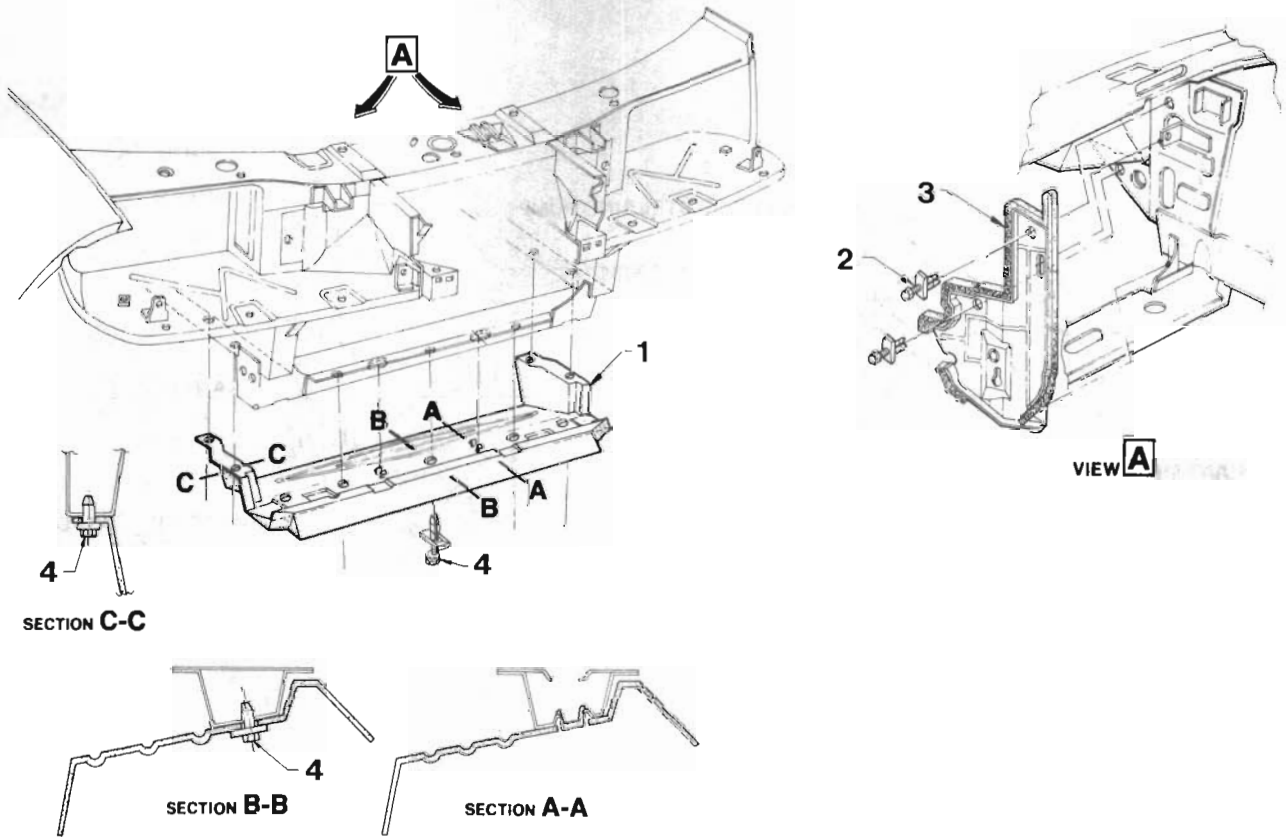
REF. NO.	PART NAME	GROUP
1	CABLE & CONDUIT ASM. - Clutch.....	0.854T
2	SPRING - Clutch cable to frame.....	0.854T
3	COVER - Clutch fork opening.....	0.797T
4	INSERT - Housing	0.683T
5	DAMPER - Clutch cable mounting.....	0.854T
6	WASHER - Clutch cable mounting.....	0.854T
7	GROMMET - Clutch cable mounting.....	0.854T
8	GROMMET - Clutch cable damper.....	0.854T
9	INSULATOR - Brake pedal support.....	4.634
10	WASHER - Cable thrust	0.854T



GROUP

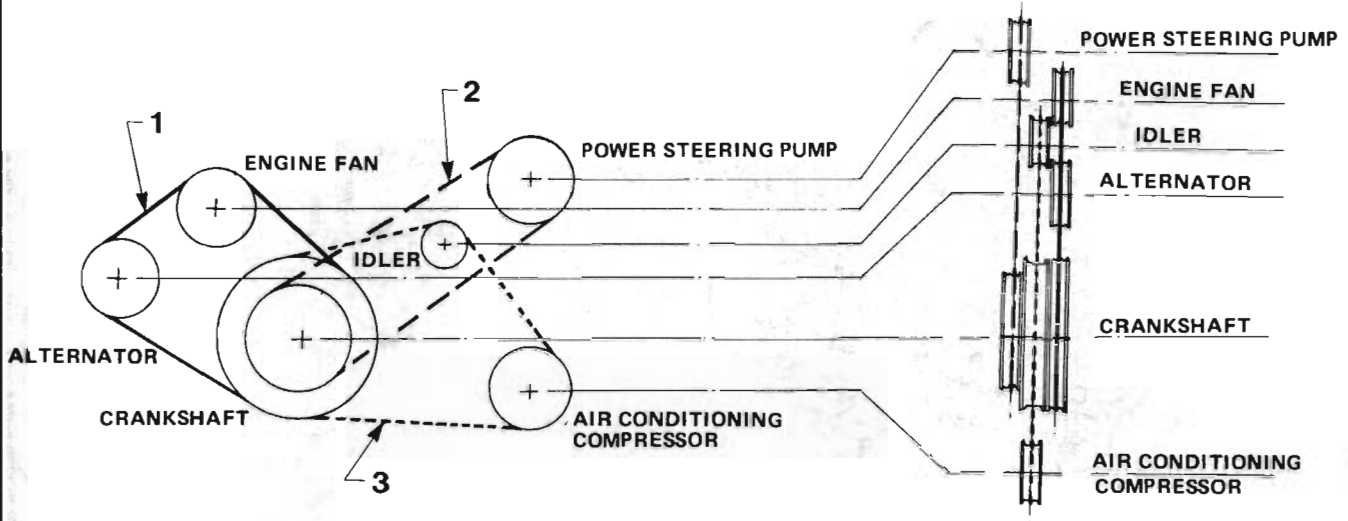
1.000

**COOLING
GRILLE
OIL SYSTEM**



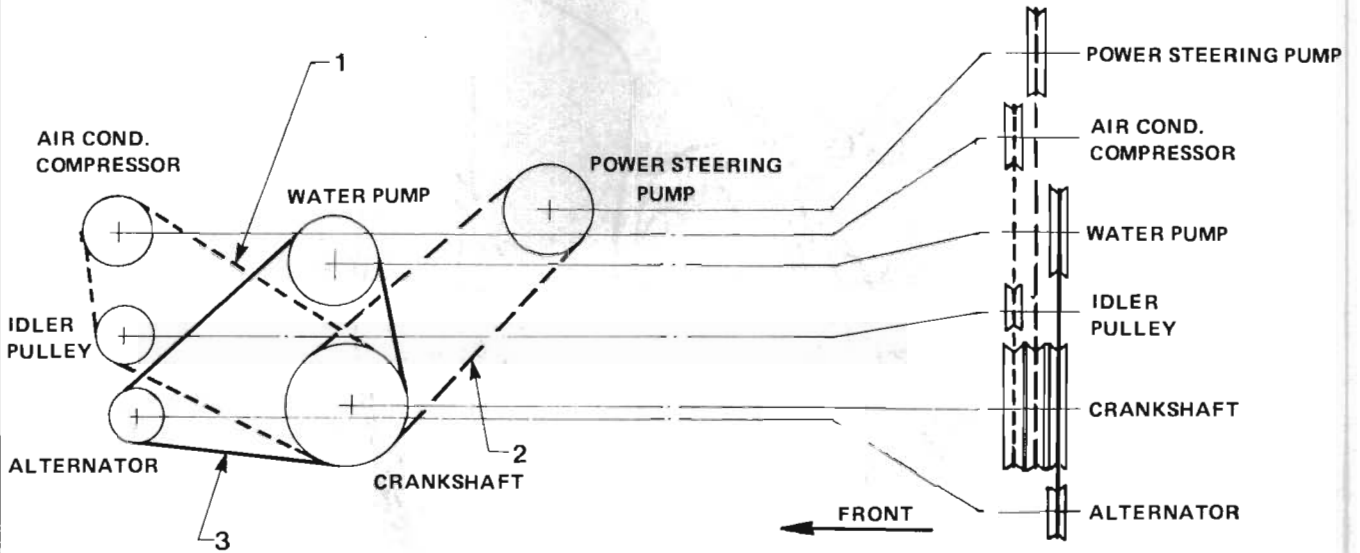
**FRONT END AIR CHUTE
VL SERIES**

REF. NO.	PART NAME	GROUP
1	PANEL - Air chute lower	1.020
2	FASTENER - Side panel to front end panel	1.020
3	PANEL - Air chute side	1.020
4	FASTENER - Lower panel to front end panel	1.020



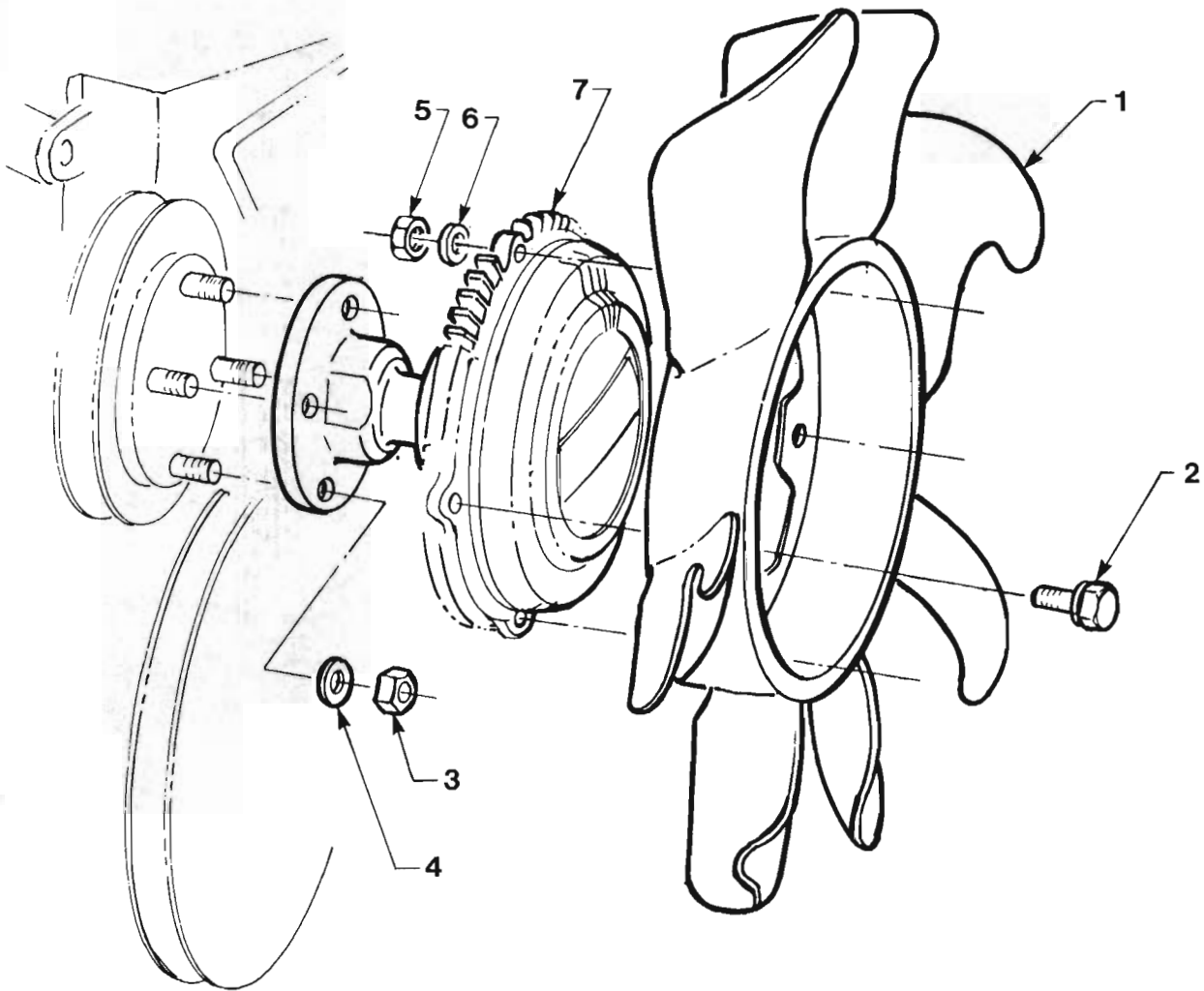
**DRIVE BELTS
6 CYLINDER ENGINE
VL SERIES**

REF. NO.	PART NAME	GROUP
1	BELT - Fan & alternator.....	1.066
2	BELT - Power steering pump.....	1.066
3	BELT - Air conditioner compressor.....	1.066



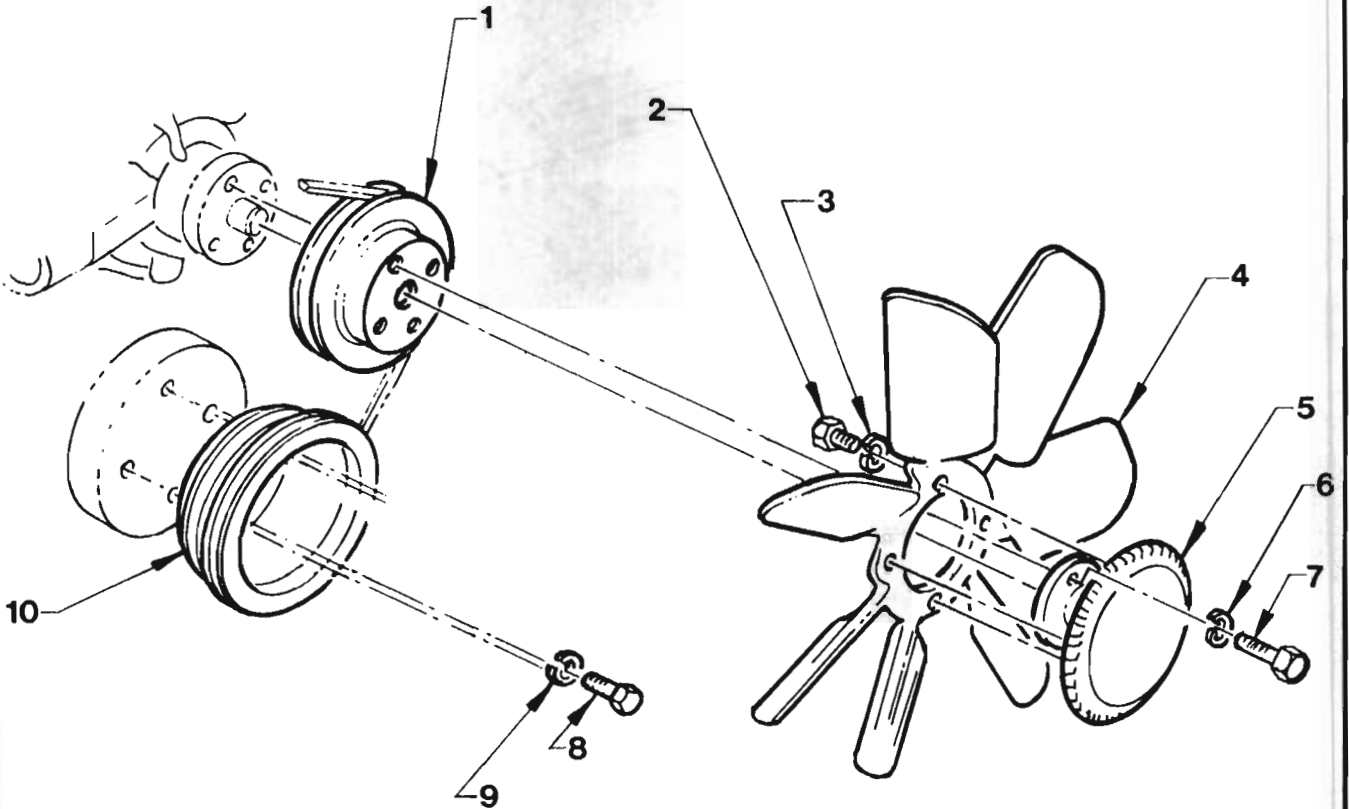
**DRIVE BELTS
8 CYLINDER ENGINE
VL SERIES**

REF. NO.	PART NAME	GROUP
1	BELT - Compressor drive.....	1.066
2	BELT - Power steering pump.....	1.066
3	BELT - Fan & alternator drive.....	1.066



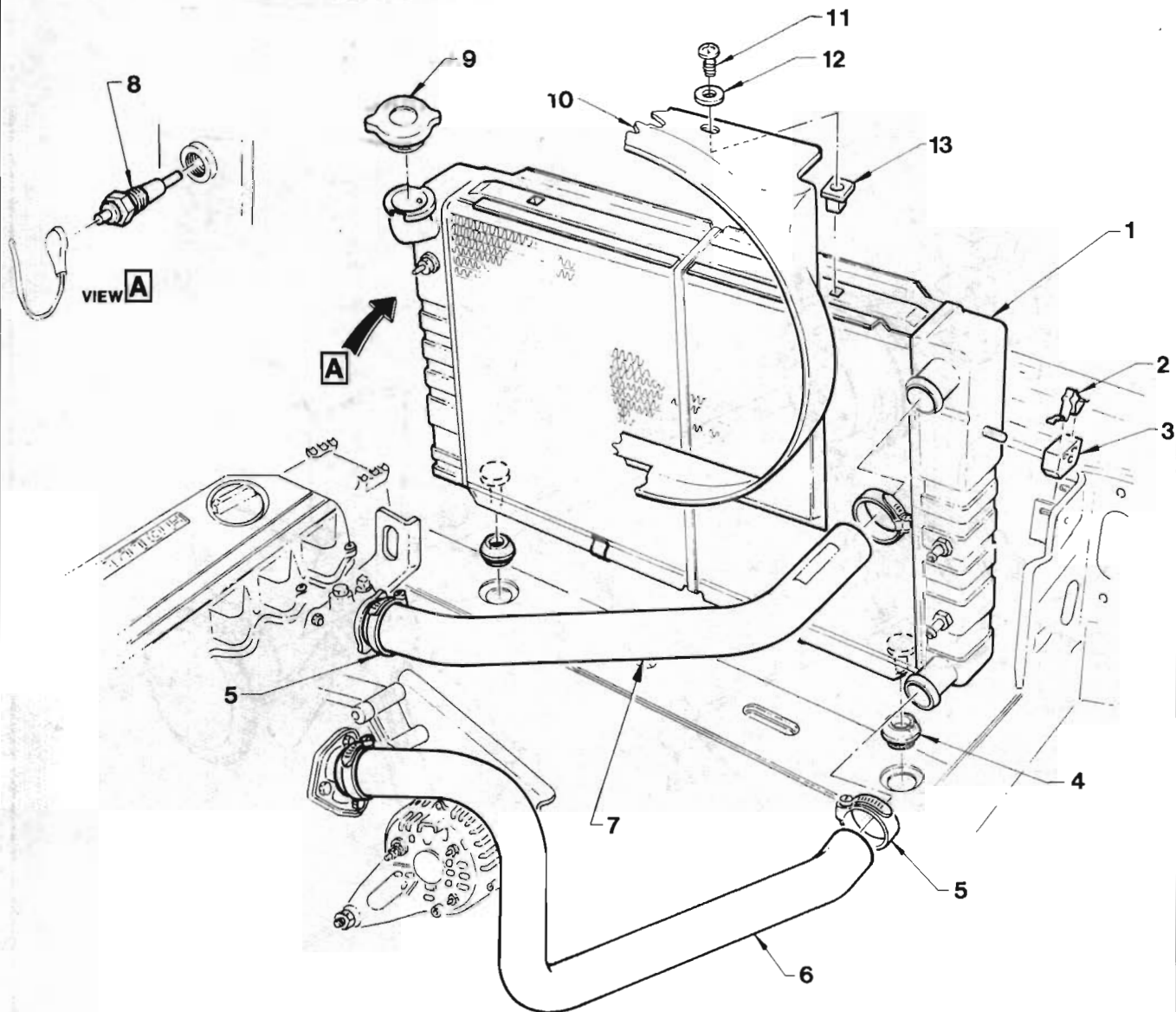
**ENGINE FAN
6 CYLINDER ENGINE
VL SERIES**

REF. NO.	PART NAME	GROUP
1	BLADE ASM. - Fan.....	1.064
2	BOLT - Fan blade to clutch.....	1.064
3	NUT - Clutch to water pump.....	1.050
4	WASHER - Clutch to water pump.....	1.050
5	NUT - Fan blade to clutch.....	1.064
6	WASHER - Fan blade to clutch.....	1.064
7	CLUTCH ASM. - Fan.....	1.050



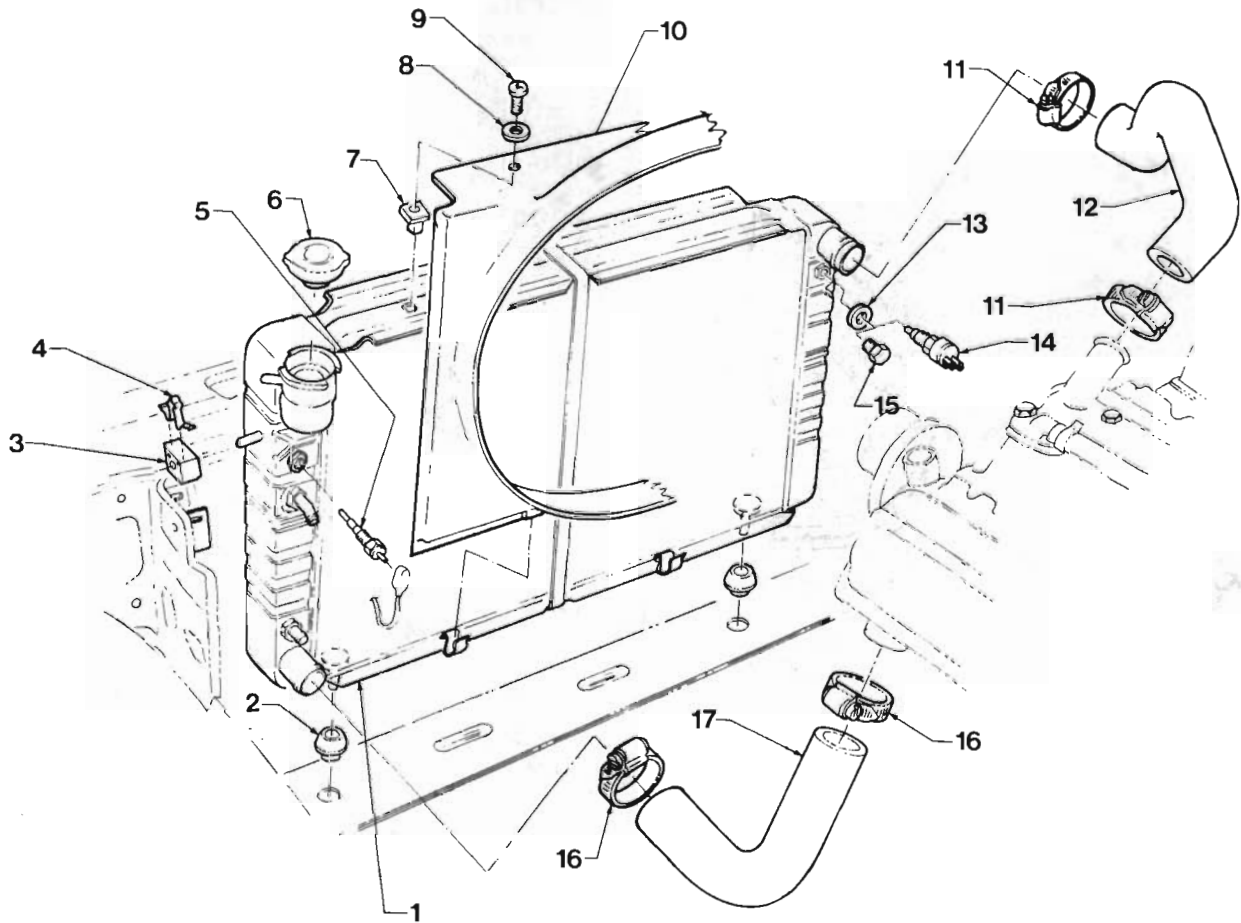
**FAN & PULLEY
8 CYLINDER ENGINE
VL SERIES**

REF. NO.	PART NAME	GROUP
1	PULLEY ASM. - Water pump & fan	1.062
2	BOLT - Fan blade to clutch.....	1.064
3	WASHER - Fan blade to clutch.....	1.064
4	BLADE ASM. - Fan.....	1.064
5	CLUTCH ASM. - Fan.....	1.050
6	WASHER - Clutch & pulley to hub.....	1.050
7	BOLT - Clutch & pulley to hub.....	1.050
8	BOLT - Pulley to damper.....	0.662T
9	WASHER - Pulley to damper.....	0.662T
10	PULLEY - Crankshaft.....	0.662T



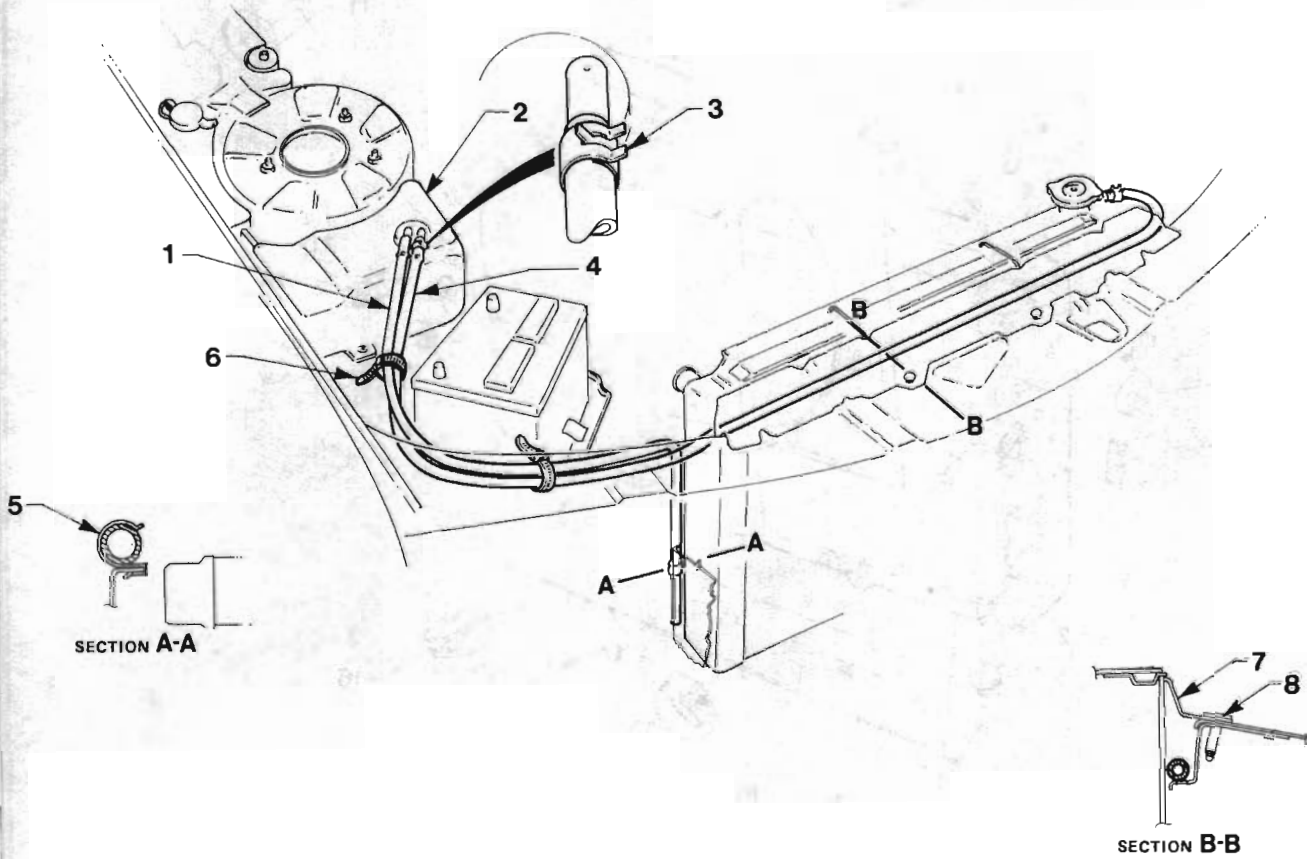
**RADIATOR
6 CYLINDER ENGINE
VL SERIES**

REF. NO.	PART NAME	GROUP
1	RADIATOR ASM.....	1.219
2	RETAINER - Side mounting.....	1.219
3	BUMPER - Side.....	1.219
4	BUMPER - Lower.....	1.219
5	CLAMP - Radiator hose.....	1.166
6	HOSE - Radiator upper.....	1.173
7	HOSE - Radiator upper.....	1.159
8	SENDER - Temp gauge.....	1.150
9	CAP ASM. - Radiator pressure.....	1.203
10	SHROUD - Engine.....	1.277
11	SCREW - Shoud to radiator.....	1.277
12	WASHER - Shroud to radiator.....	1.277
13	NUT - Shroud to radiator.....	1.277



**RADIATOR
8 CYLINDER ENGINE
VL SERIES**

REF. NO.	PART NAME	GROUP
1	RADIATOR ASM.....	1.219
2	BUMPER - Lower.....	1.219
3	BUMPER - Side.....	1.219
4	RETAINER - Side mounting.....	1.219
5	PROBE ASM.....	1.150
6	CAP - Radiator pressure.....	1.203
7	NUT - Shroud to radiator.....	1.277
8	WASHER - Shroud to radiator.....	1.277
9	SCREW - Shroud to radiator.....	1.277
10	SHROUD - Radiator fan.....	1.277
11	CLAMP - Radiator hose.....	1.166
12	HOSE - Radiator upper.....	1.159
13	GASKET - Plug.....	1.203
14	SWITCH - Auxiliary fan thermostat.....	1.055
15	PLUG - Thermostat switch hole closing.....	1.203
16	CLAMP - Radiator hose.....	1.166
17	HOSE - Radiator lower.....	1.173

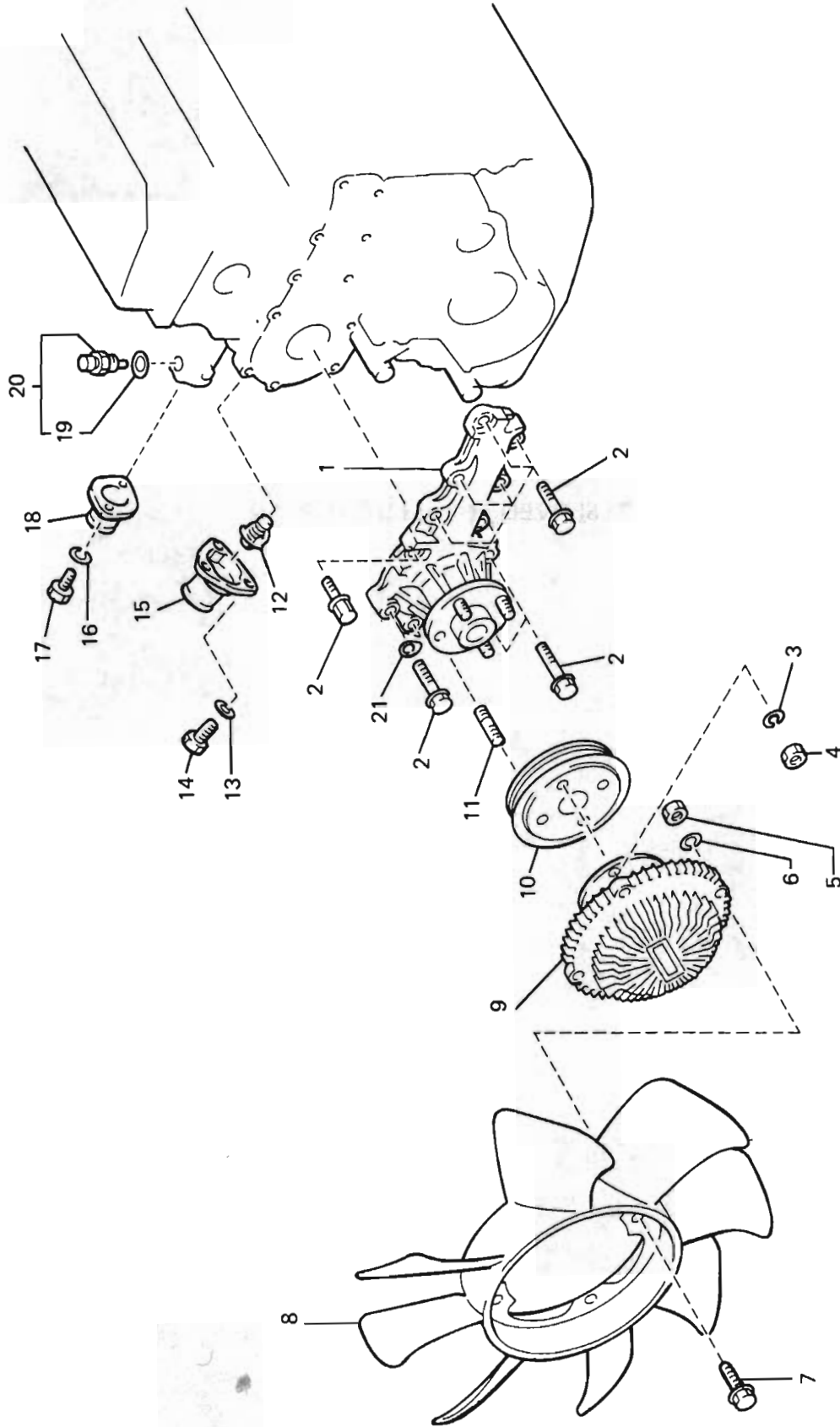


**RADIATOR OVERFLOW
VL SERIES**

REF. NO.	PART NAME	GROUP
1	HOSE - Reservoir overflow	1.240
2	RESERVOIR ASM.	1.240
3	CLAMP - Hose to radiator & reservoir	1.240
4	HOSE - Radiator & reservoir	1.240
5	CLIP - Overflow hose to radiator panel	1.240
6	STRAP - Hoses	1.240
7	SHROUD - Radiator air intake	1.277
8	RETAINER - Shroud to front upper panel	1.277



RESERVED FOR ILLUSTRATION

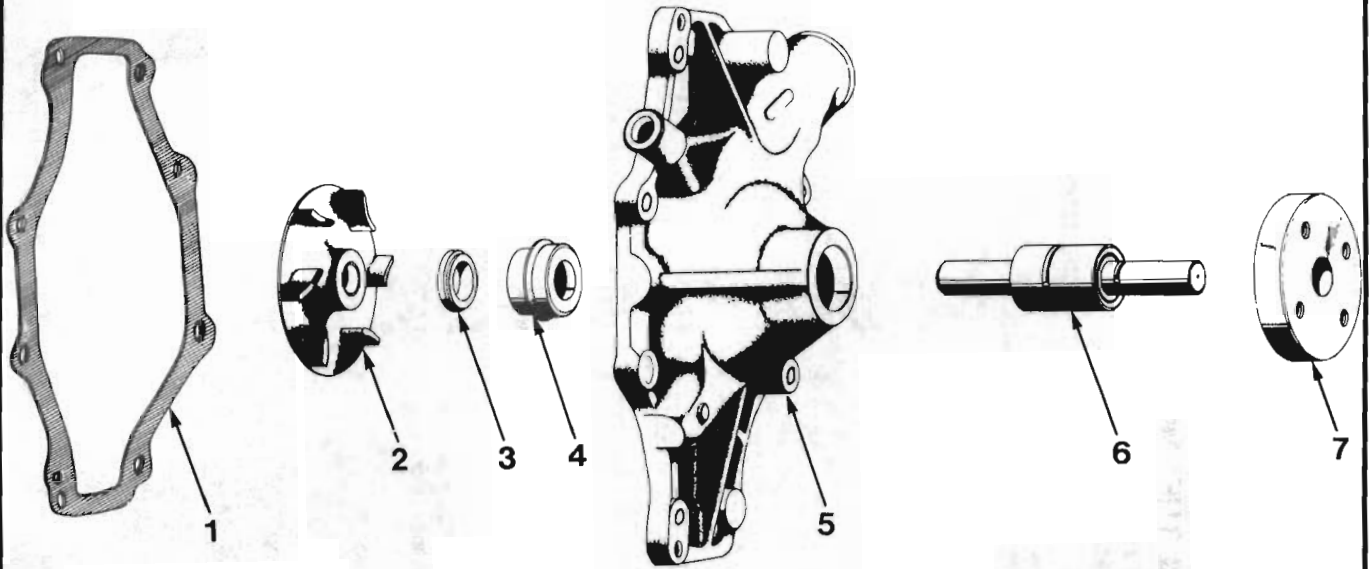




WATER PUMP, FAN & THERMOSTAT
6 CYLINDER ENGINE
VL SERIES

ILLUSTRATION OPPOSITE

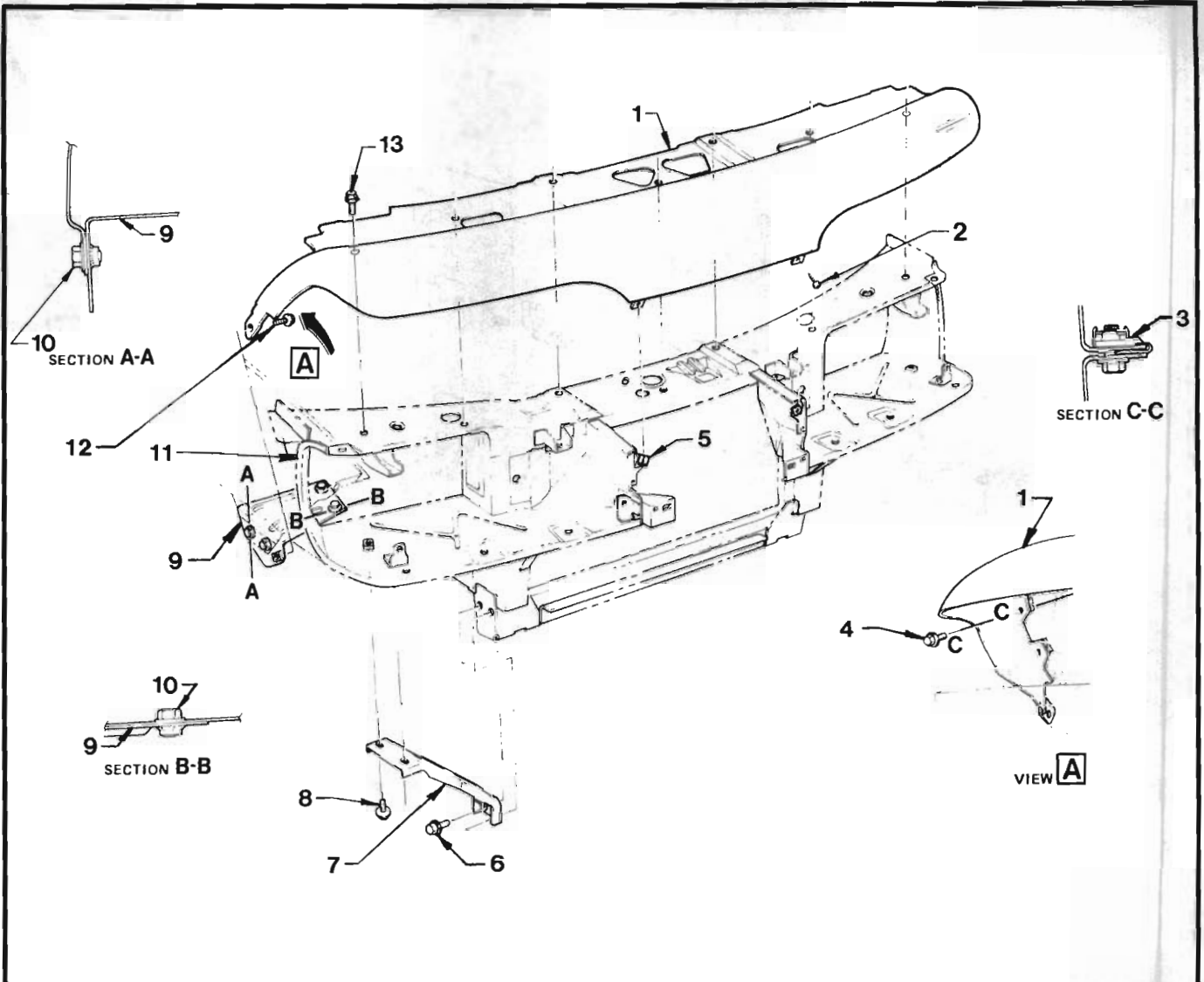
REF. NO.	PART NAME	GROUP
1	PUMP ASM. - Water	1.069
2	BOLT - Water pump to cylinder block	1.079
3	WASHER - Clutch to water pump	1.050
4	NUT - Clutch to water pump	1.050
5	NUT - Fan blade to clutch	1.064
6	WASHER - Fan blade to clutch	1.064
7	BOLT - Fan blade to clutch	1.064
8	BLADE ASM. - Fan	1.064
9	CLUTCH ASM. - Fan	1.050
10	PULLEY ASM. - Water pump & fan	1.062
11	STUD - Clutch to water pump	1.050
12	THERMOSTAT ASM. - Engine coolant	1.246
13	WASHER - Coolant inlet	1.153
14	BOLT - Coolant inlet	1.153
15	INLET - Thermostat	1.153
16	WASHER - Coolant outlet	1.153
17	BOLT - Coolant outlet	1.153
18	OUTLET - Upper	1.153
19	GASKET - Temperature sender, Fuel flow control	3.320
20	SENDER ASM. - Temperature, Fuel flow control	3.320
21	WASHER - Water pump to cylinder block	1.079



WATER PUMP
8 CYLINDER ENGINE
VL SERIES

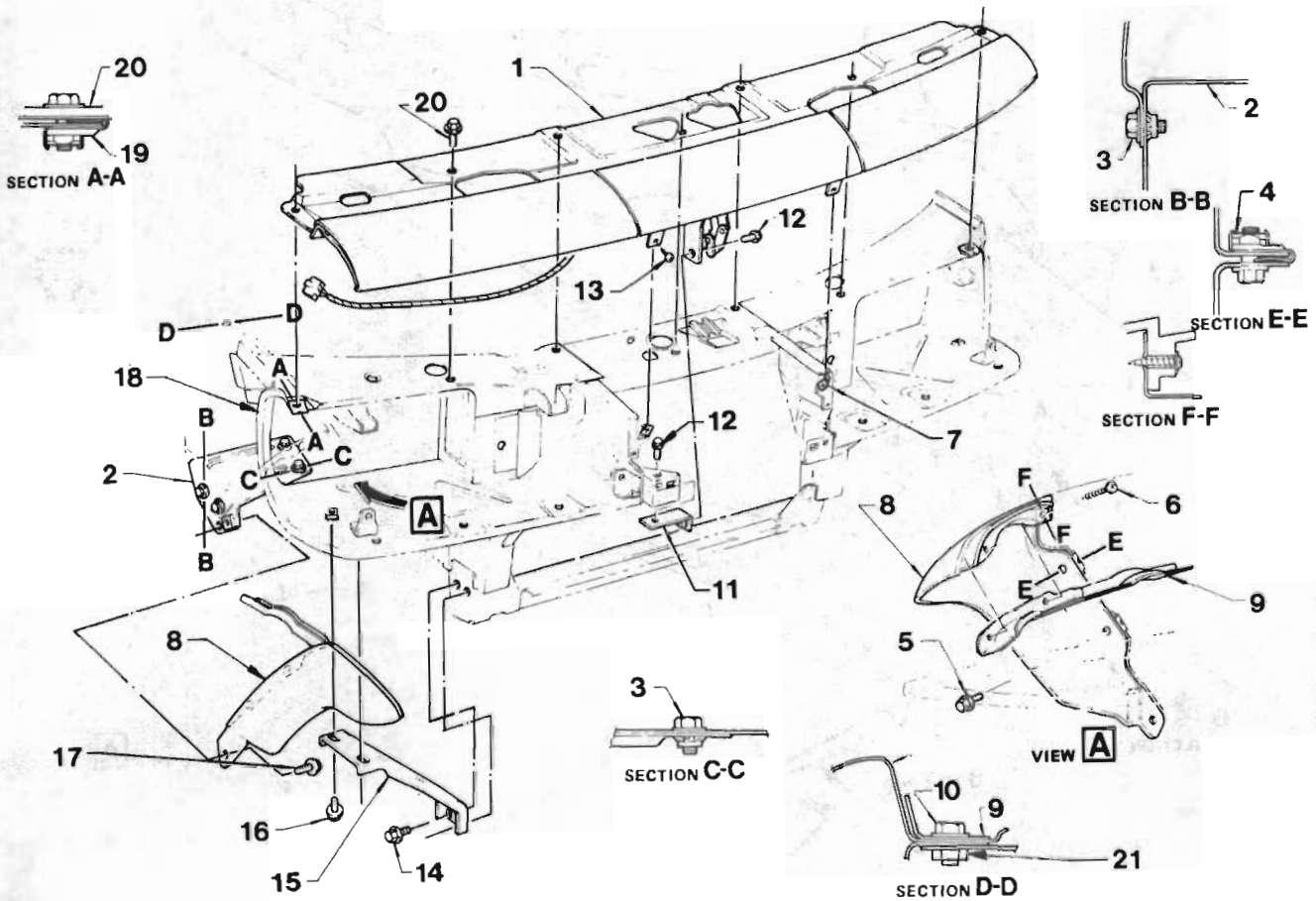
REF. NO.	PART NAME	GROUP
1-7	PUMP - Water	1.069
1(A)	GASKET - Water pump	1.079
2(A)	ROTOR.....	N.S.S.
3(A)	SEAT ASM. - Seal.....	N.S.S.
4(A)	SEAL ASM.....	N.S.S.
5	BODY.....	N.S.S.
6(A)	SHAFT & BEARING ASM.....	N.S.S.
7	HUB - Water pump & fan pulley.....	1.062

NOTE:- (A Parts included in Repair Kit. Refer Group 1.123



**FRONT END PANEL
8VK & 8VL BODY STYLES
VL SERIES**

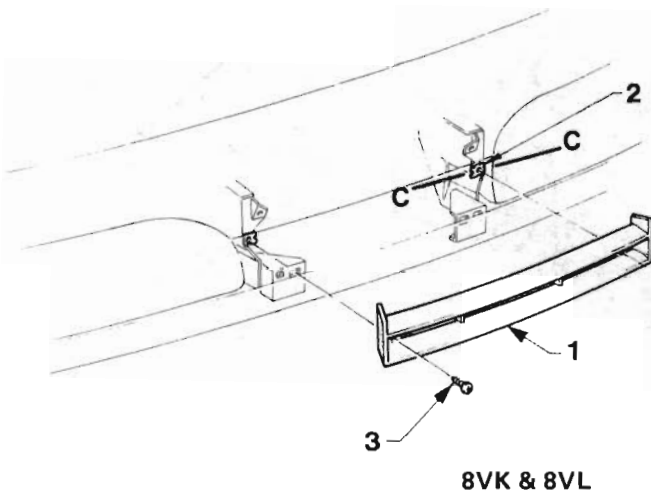
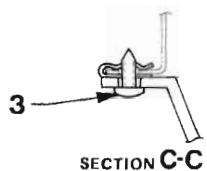
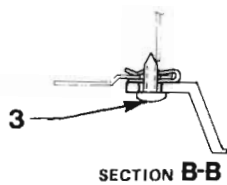
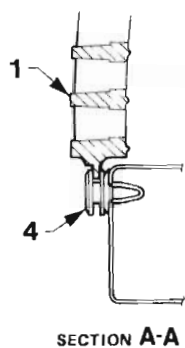
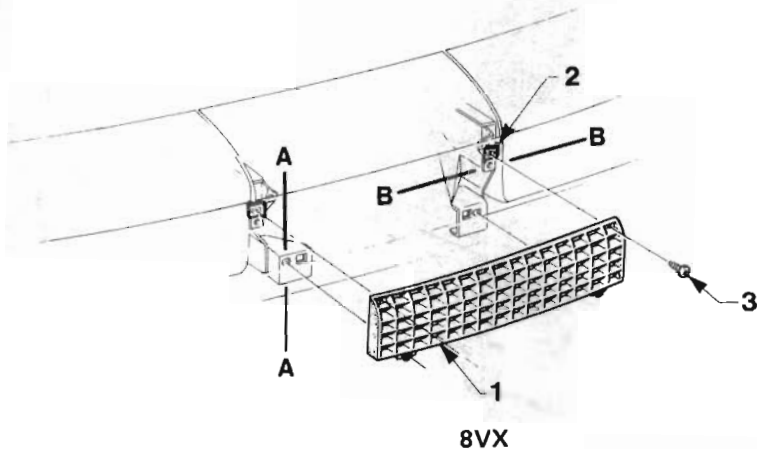
REF. NO.	PART NAME	GROUP
1	PANEL ASM. - Upper.....	1.263
2	BOLT - Front panel to headlamp support	1.263
3	NUT - Front panel to fender.....	1.263
4	BOLT - Front panel to fender.....	1.263
5	NUT - Front panel to headlamp support	1.263
6	BOLT - Brace to underbody.....	1.263
7	BRACE - Headlamp support	1.263
8	BOLT - Brace to headlamp support	1.263
9	BRACE - Fender	8.143
10	BOLT - Brace	8.143
11	PANEL ASM. - Front.....	1.263
12	BOLT - Upper panel to fender brace	1.263
13	BOLT - Upper panel to front panel	1.263



FRONT END PANEL

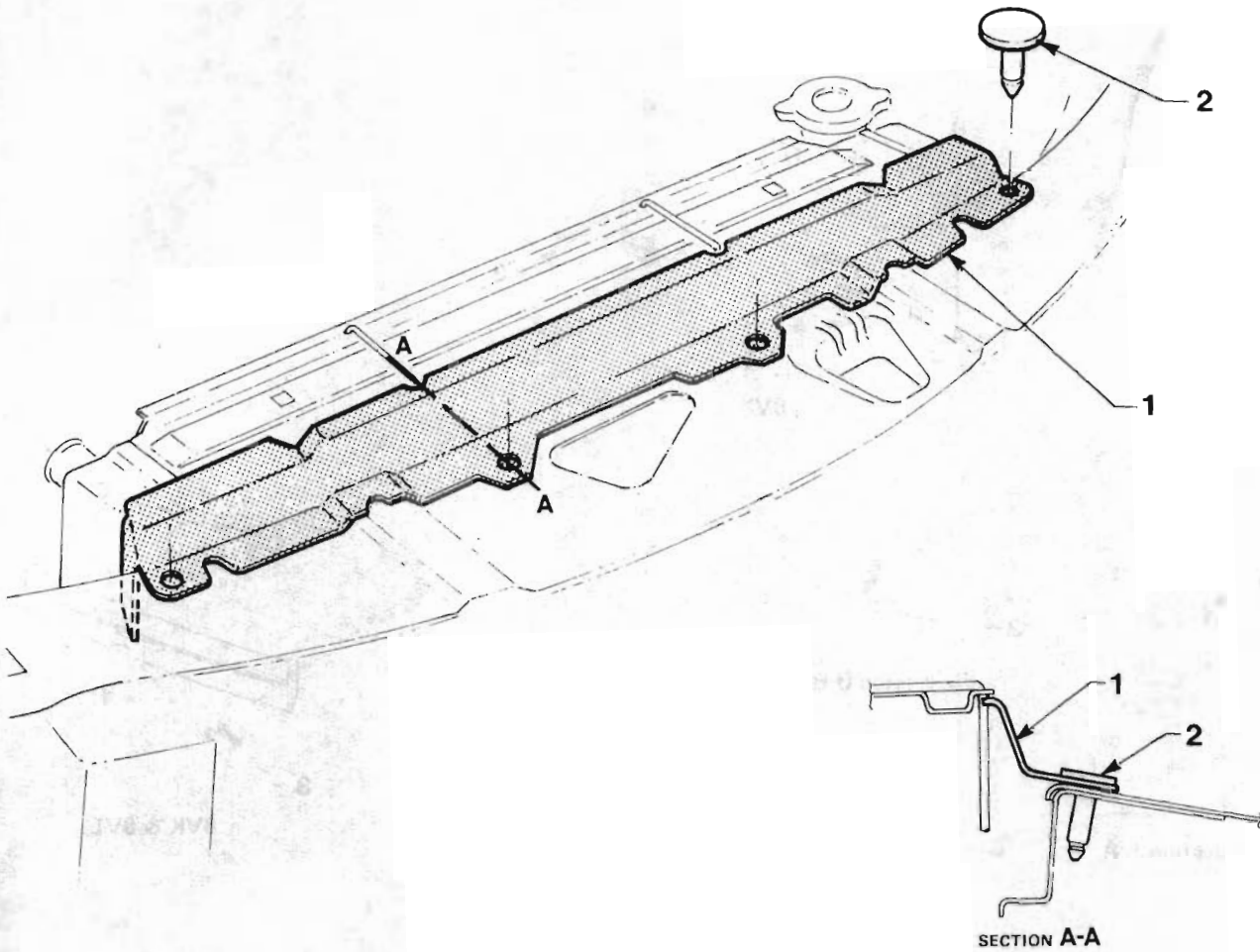
**8VX BODY STYLE
VL SERIES**

REF. NO.	PART NAME	GROUP
1-21	PANEL ASM. - Upper.....	N.S.
2	BRACE - Fender.....	8.143
3	BOLT - Brace.....	8.143
4	NUT - Front panel to front end side panel.....	1.263
5	BOLT - Front panel to front end side panel.....	1.263
6	SCREW - Brace to front end side panel.....	1.263
7	NUT - Front upper panel to headlamp support...	1.263
8	PANEL ASM. - Side.....	1.263
9	BRACE - Front end panel.....	1.263
10	BOLT - Brace to fender.....	1.263
11	BRACKET ASM. - Headlamp lid motor stabilizer	2.760
12	SCREW - Motor stabilizer bracket attaching.....	2.760
13	BOLT - Front panel to headlamp support.....	1.263
14	BOLT - Brace to underbody.....	1.263
15	BRACE - Headlamp support.....	1.263
16	BOLT - Brace to headlamp support.....	1.263
17	BOLT - Brace to side panel.....	1.263
18	PANEL ASM. - Front.....	1.263
19	NUT - Upper panel to front panel.....	1.263
20	BOLT - Upper panel to front panel.....	1.263
21	NUT - Brace to fender.....	1.263



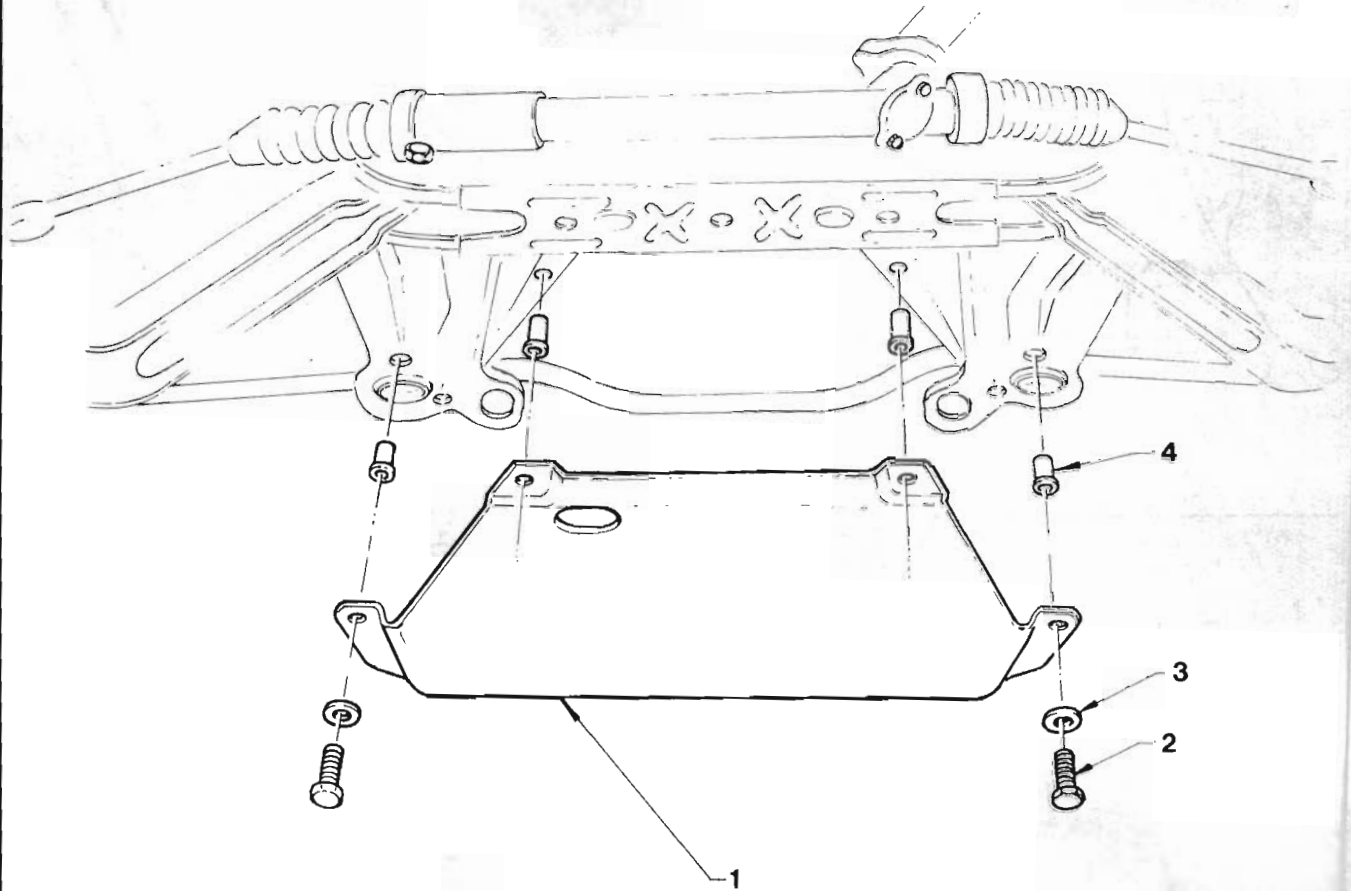
**RADIATOR GRILLE
VL SERIES**

REF. NO.	PART NAME	GROUP
1	GRILLE ASM. - Radiator	1.266
2	NUT - Grille to front panel	1.266
3	SCREW - Grille to front panel	1.266
4	CLIP - Grille lower	1.266



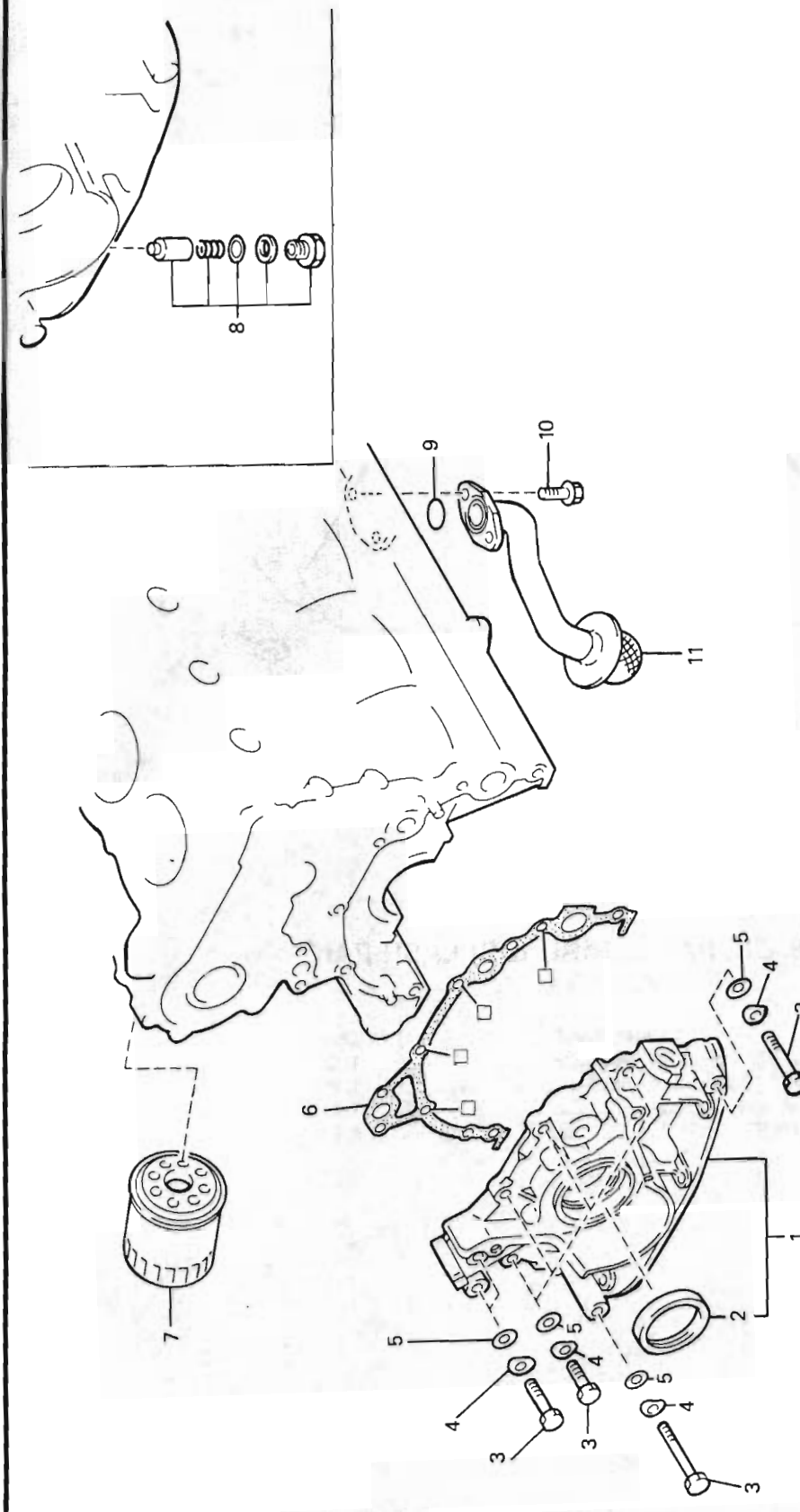
**RADIATOR AIR INTAKE SHROUD
VL SERIES**

REF. NO.	PART NAME	GROUP
1	SHROUD - Radiator air intake.....	1.277
2	RETAINER - Shroud to front panel.....	1.277



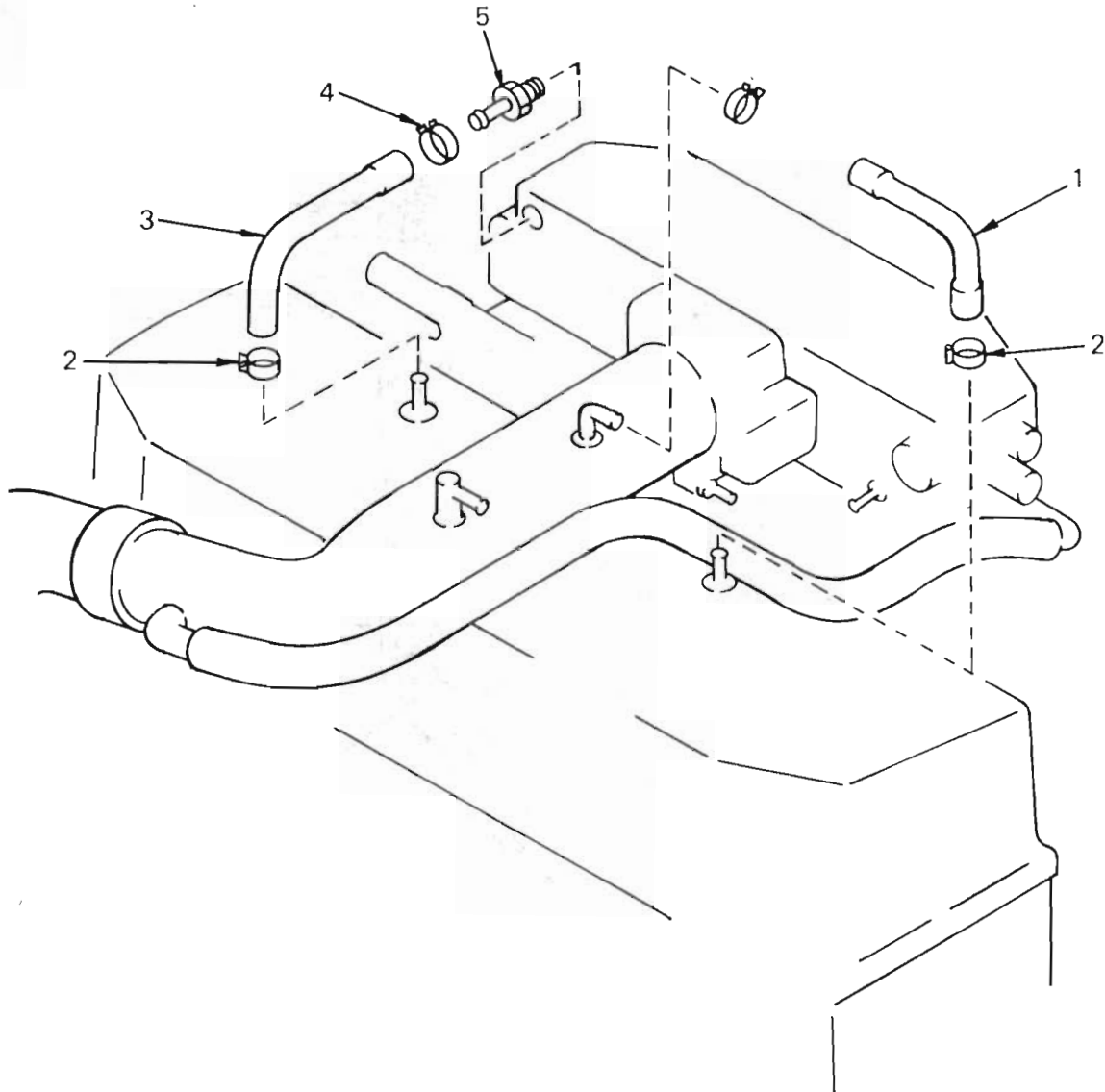
**ENGINE OIL PAN GUARD & SPLASH PAN
VL SERIES**

REF. NO.	PART NAME	GROUP
1	GUARD & SPLASH PAN ASM.....	1.430
2	BOLT - Guard attaching.....	1.430
3	WASHER - Conical.....	1.430
4	NUTSET - M8x1.25.....	1.430



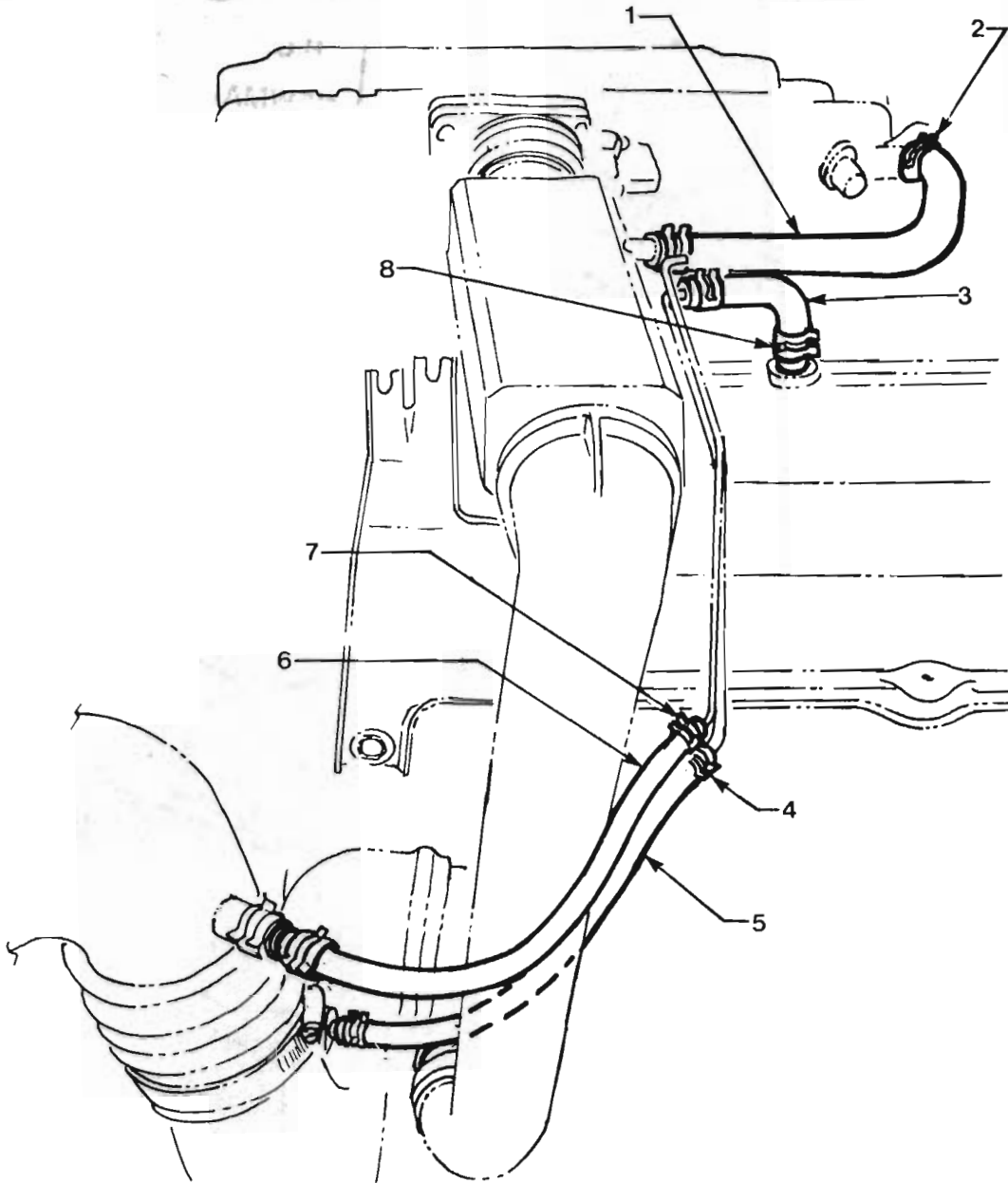
OIL PUMP, FILTER, SCREEN & PIPE
6 CYLINDER ENGINE
VL SERIES

REF. NO.	PART NAME	GROUP
1	PUMP ASM. - Engine oil.....	1.652
2	SEAL - Front.....	1.656
3	BOLT - Oil pump to cylinder block.....	1.652
4	WASHER - Lock, Oil pump to cylinder block.....	1.652
5	WASHER - Flat, Oil pump to cylinder block.....	1.655
6	GASKET - Oil pump to cylinder block.....	1.835
7	FILTER ASM. - Oil.....	1.609
8	VALVE KIT - Oil pump pressure regulator.....	1.656
9	'O' RING - Screen & pipe to cylinder block.....	1.656
10	BOLT - Screen & pipe to cylinder block.....	1.656
11	SCREEN & PIPE ASM. - Oil pump suction.....	1.656



**ENGINE VENTILATION
6 CYLINDER ENGINE EXC. TURBO.
VL SERIES**

REF. NO.	PART NAME	GROUP
1	HOSE - Breather outlet to air flow duct.....	1.762
2	CLAMP - Hose.....	1.750
3	HOSE - Valve.....	1.762
4	CLAMP - Hose to valve.....	1.750
5	VALVE ASM. - Crankcase ventilator.....	1.745

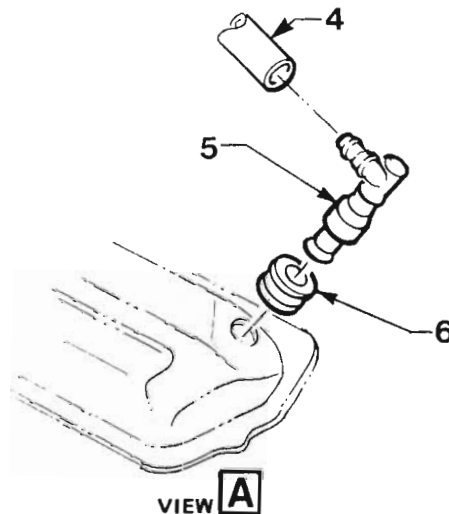
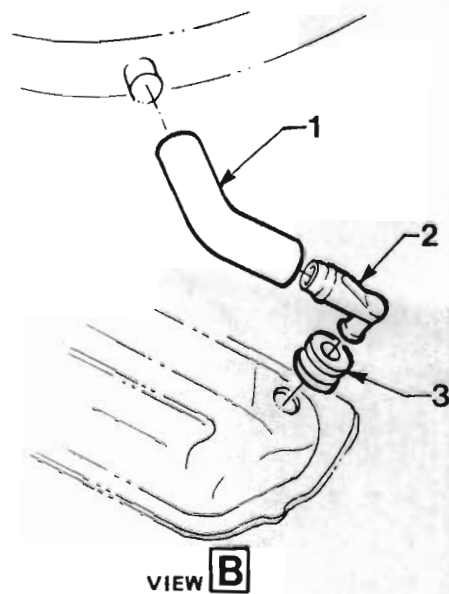
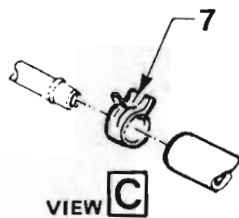
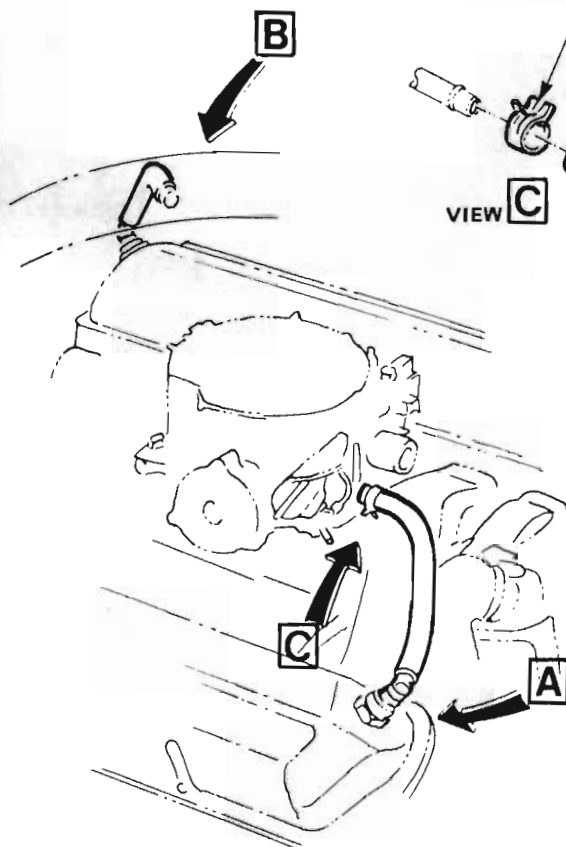


**ENGINE VENTILATION
6 CYLINDER ENGINE WITH TURBO
VL SERIES**

REF. NO.	PART NAME	GROUP
1	HOSE - Collector to air duct.....	1.762
2	CLAMP - Breather hose	1.750
3	HOSE - Breather outlet to by-pass pipe & bracket asm.	1.762
4	CLAMP - Hose lower	1.750
5	HOSE - Pipe & bracket asm. to turbo air inlet - lower	1.762
6	HOSE.....	1.762
7	CLAMP.....	1.750
8	CLAMP - Hose - Valve to by-pass pipe.....	1.750

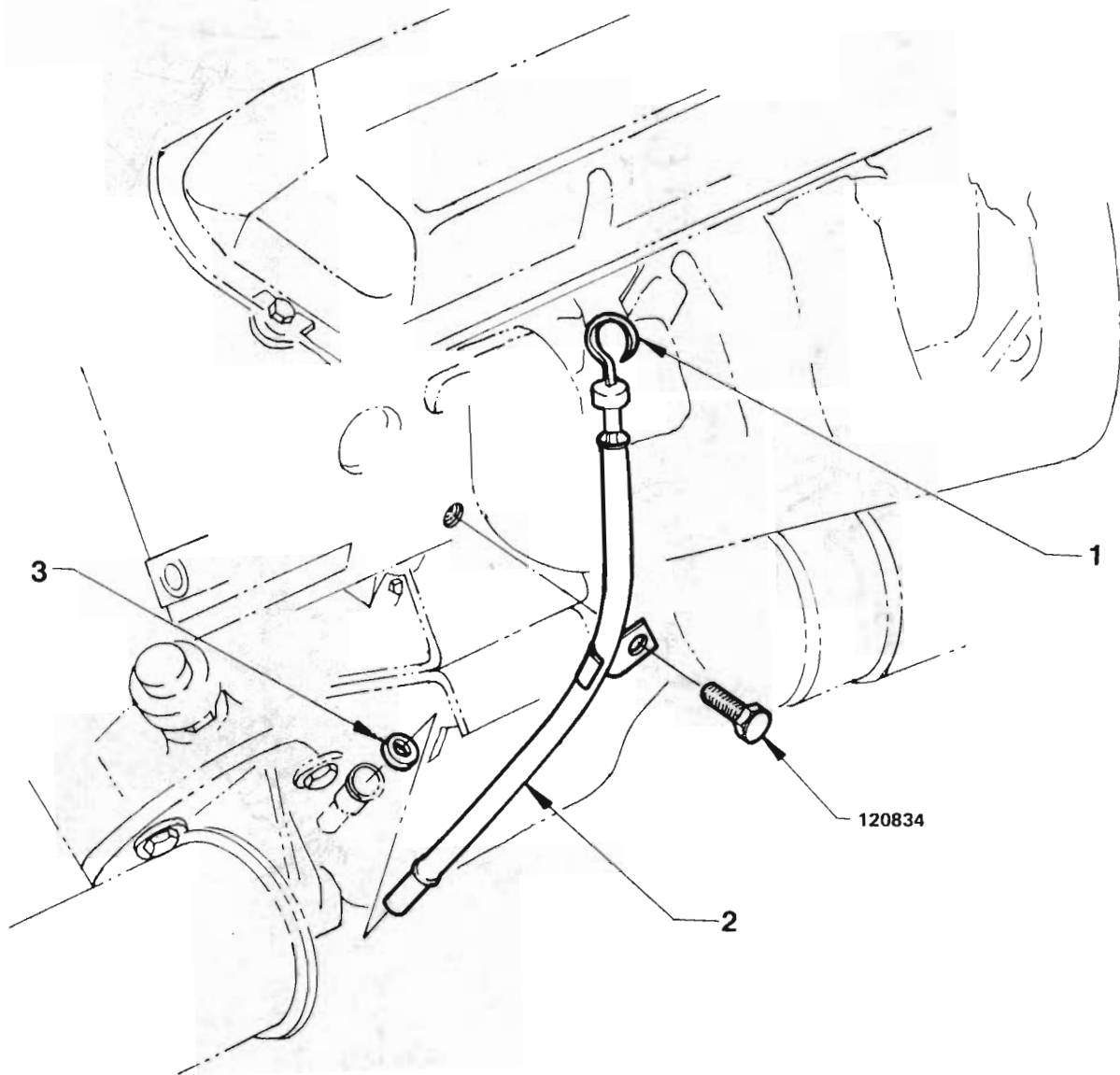


"V" SERIES PARTS CATALOGUE



ENGINE VENTILATION 8 CYLINDER ENGINE VL SERIES

REF. NO.	PART NAME	GROUP
1	HOSE - Breather outlet connector to air cleaner	1.762
2	CONNECTOR - Breather outlet hose.....	1.762
3	GROMMET - Crankcase ventilator valve.....	1.745
4	HOSE - Valve to carburettor.....	1.762
5	VALVE ASM. - Crankcase ventilator.....	1.745
6	GROMMET - Breather outlet hose connector.....	1.745
7	CLAMP - Valve hose to manifold.....	1.750

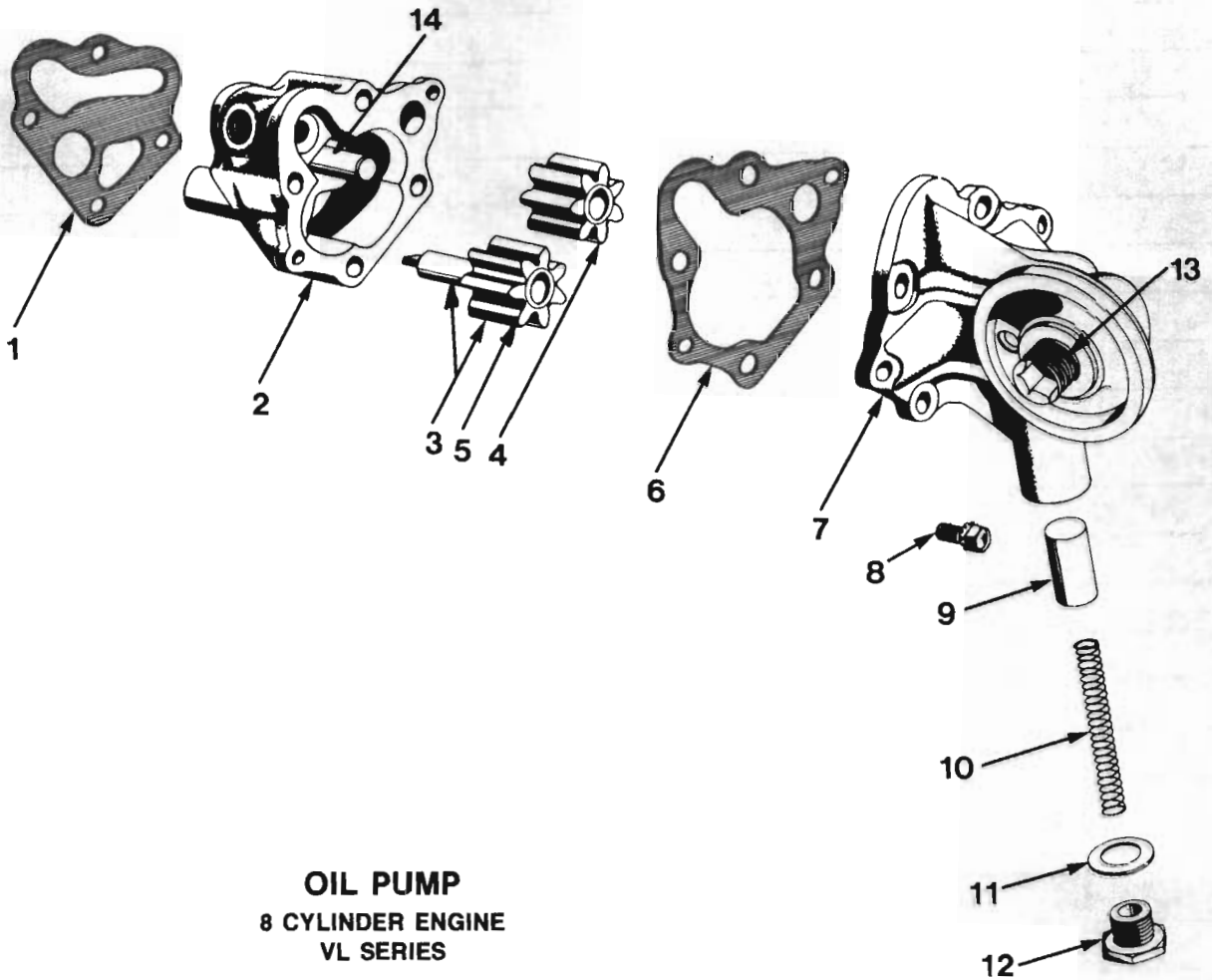


**OIL LEVEL INDICATOR
8 CYLINDER ENGINE
VL SERIES**

REF. NO.	PART NAME	GROUP
1	INDICATOR ASM. - Oil.....	1.516
2	TUBE ASM. - Oil level indicator.....	1.516
3	SEAL - Oil level indicator tube.....	1.516



"V" SERIES PARTS CATALOGUE



OIL PUMP 8 CYLINDER ENGINE VL SERIES

REF. NO.	PART NAME	GROUP
1-14	PUMP ASM. - Oil.....	1.652
1(A)	GASKET - Oil pump to block.....	1.655
2	BODY - Oil pump.....	1.653
3(A)	GEAR & SHAFT ASM. - Primary.....	1.639
4(A)	GEAR - Secondary.....	1.639
5	GEAR - Primary.....	1.639
6(A)	GASKET - Cover to body.....	1.724
7	COVER ASM. - Oil pump.....	1.723
8	BOLT & WASHER - Cover to oil pump body.....	1.723
9	VALVE - Oil pressure regulator.....	1.609
10	SPRING - Oil pressure regulator valve.....	1.609
11	GASKET - Valve cap.....	1.609
12	CAP - Valve spring.....	1.609
13	ADAPTOR - Filter to pump.....	1.840
14	SHAFT - Secondary gear.....	1.639

NOTE:- (A Parts included in Repair Kit. Refer Group 1.652)

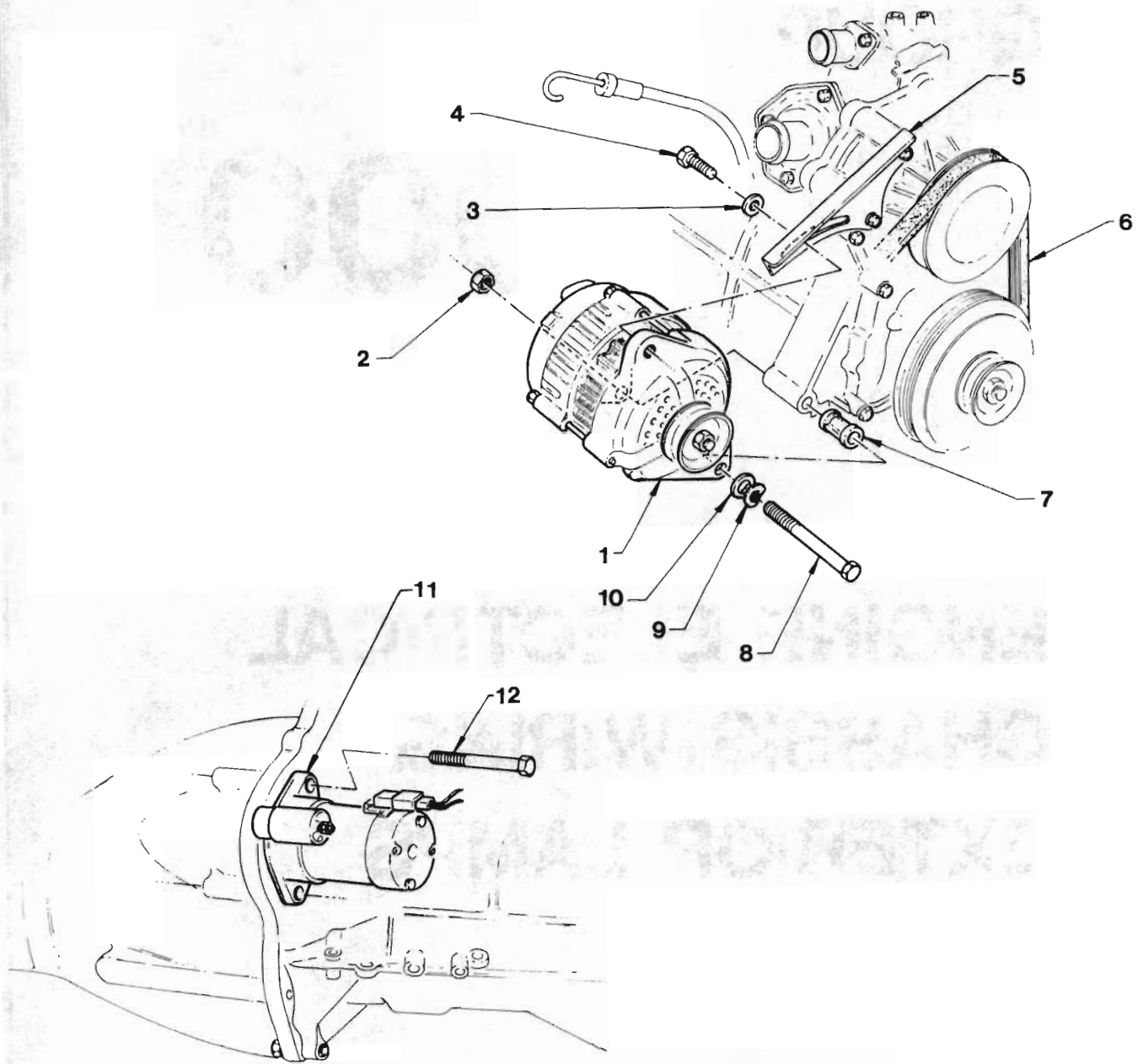


"V" SERIES PARTS CATALOGUE

GROUP

2.000

**ENGINE ELECTRICAL
CHASSIS WIRING
EXTERIOR LAMPS**

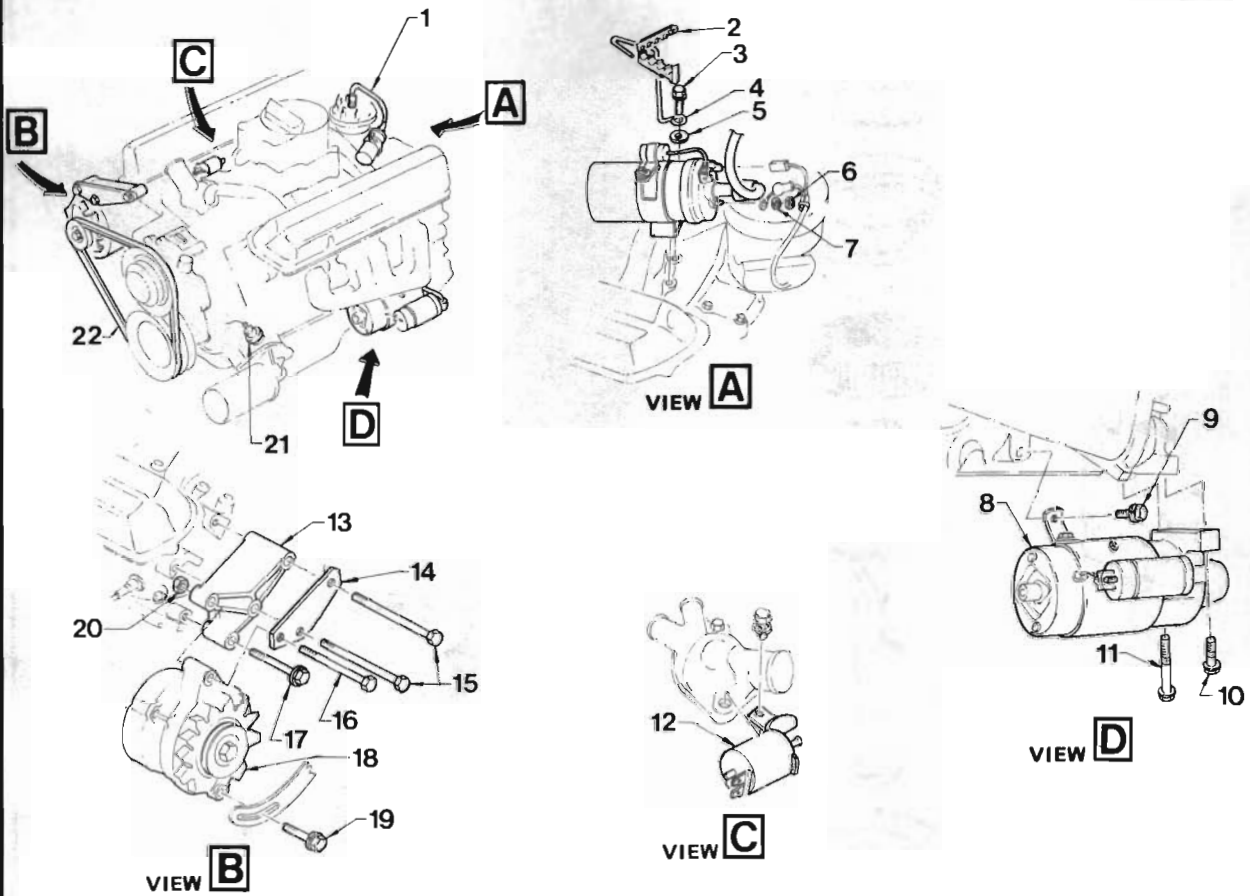


STARTER MOTOR & ALTERNATOR MOUNTING
6 CYLINDER ENGINE
VL SERIES

REF. NO.	PART NAME	GROUP
1	ALTERNATOR ASM.....	2.275
2	NUT - Alternator pivot.....	2.277
3	WASHER - Alternator adjusting bolt.....	2.317
4	BOLT - Alternator adjusting	2.317
5	BRACE ASM. - Alternator adjusting.....	2.317
6	BELT - Fan & alternator.....	1.066
7	SPACER - Alternator mounting.....	2.277
8	BOLT - Alternator mounting.....	2.277
9	WASHER - Lock, Alternator pivot bolt.....	2.277
10	WASHER - Flat, Alternator pivot bolt.....	
11	MOTOR ASM. - Starter.....	2.041
12	BOLT - Starter motor to engine	2.042



"V" SERIES PARTS CATALOGUE

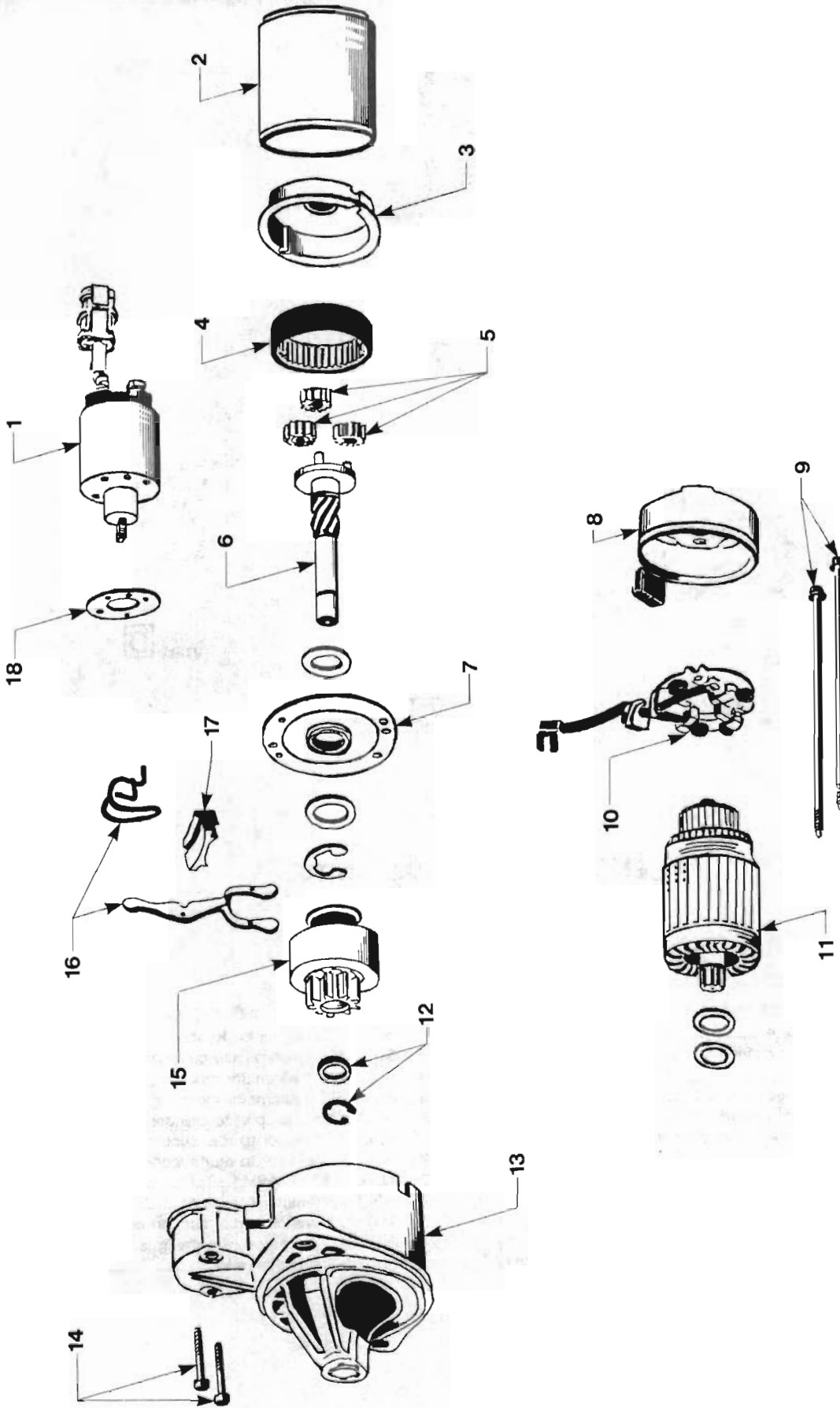


ENGINE ELECTRICAL UNITS

8 CYLINDER ENGINE VL SERIES

REF. NO.	PART NAME	GROUP	REF. NO.	PART NAME	GROUP
1-22	MOTOR ASM. - Starter.....	2.041	11	BOLT - Starter motor to engine - Long.....	2.042
1	LEAD ASM. - Coil to distributor.....	2.240	12	SWITCH - Transmission controlled spark.....	2.408
2	CLIP - Lead retaining.....	2.251	13	SUPPORT - Alternator mounting - Rear.....	2.277
3	BOLT - Spark plug lead clamp bracket.....	2.251	14	BRACKET - Alternator mounting - Front.....	2.277
4	SUPPORT - Spark plug lead - Rear.....	2.251	15	BOLT - Rear support to cylinder head.....	2.277
5	WASHER - High tension lead support to coil bracket.....	2.251	16	BOLT - Alternator to rear support.....	2.277
6	NUT - Cable to coil.....	2.170	17	BOLT - Alternator to rear support.....	2.277
7	WASHER - Cable to coil.....	2.170	18	ALTERNATOR ASM.....	2.275
8	MOTOR ASM. - Starter.....	2.041	19	BOLT - Alternator adjusting.....	2.317
9	BOLT - Starter motor to engine.....	2.042	20	NUT - Alternator to rear support bolt.....	2.277
10	BOLT - Starter motor to engine - Short.....	2.042	21	SWITCH - Oil pressure warning lamp.....	1.800
			22	BELT - Fan & alternator.....	1.066

"V" SERIES PARTS CATALOGUE





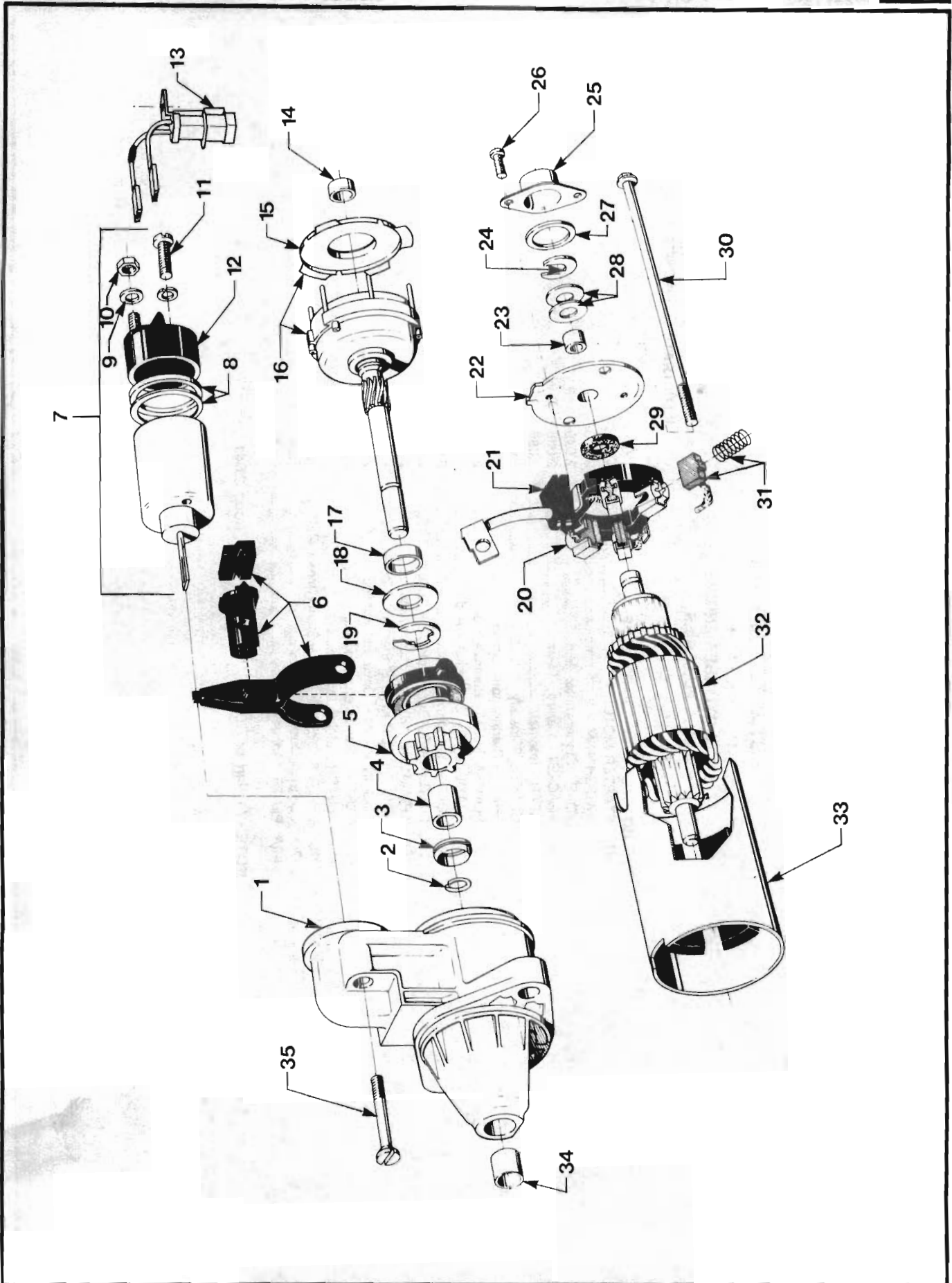
**STARTER MOTOR
HITACHI
6 CYLINDER ENGINE
VL SERIES**

ILLUSTRATION OPPOSITE

REF. NO.	PART NAME	GROUP
1-18	STARTER MOTOR ASM.	2.041
1	SWITCH ASM. - Starter motor solenoid	2.100
2	YOKE - Starter motor field	2.049
3	BRACKET - Centre - Rear	2.086
4	GEAR - Internal	2.086
5	GEARS - Planetary	2.086
6	SHAFT - Starter motor pinion	2.086
7	PLATE & BUSH - Centre - Front	2.086
8	FRAME ASM. - Commutator end	2.067
9	BOLT - Through	2.077
10	PLATE ASM. - Brush holder	2.052
11	ARMATURE ASM.	2.043
12	RING CIRCLIP KIT - Starter motor drive stop	2.063
13	HOUSING ASM. - Drive end with bush	2.085
14	SCREW - Switch attaching	2.102
15	CLUTCH - Pinion drive	2.086
16	LEVER & SPRING ASM. - Starter motor shift	2.108
17(A)	COVER - Dust	N.S.S.
18(A)	PLATE - Adjusting	N.S.S.

NOTE:- (A Part of DUST COVER KIT Refer Group 2.041

"V" SERIES PARTS CATALOGUE





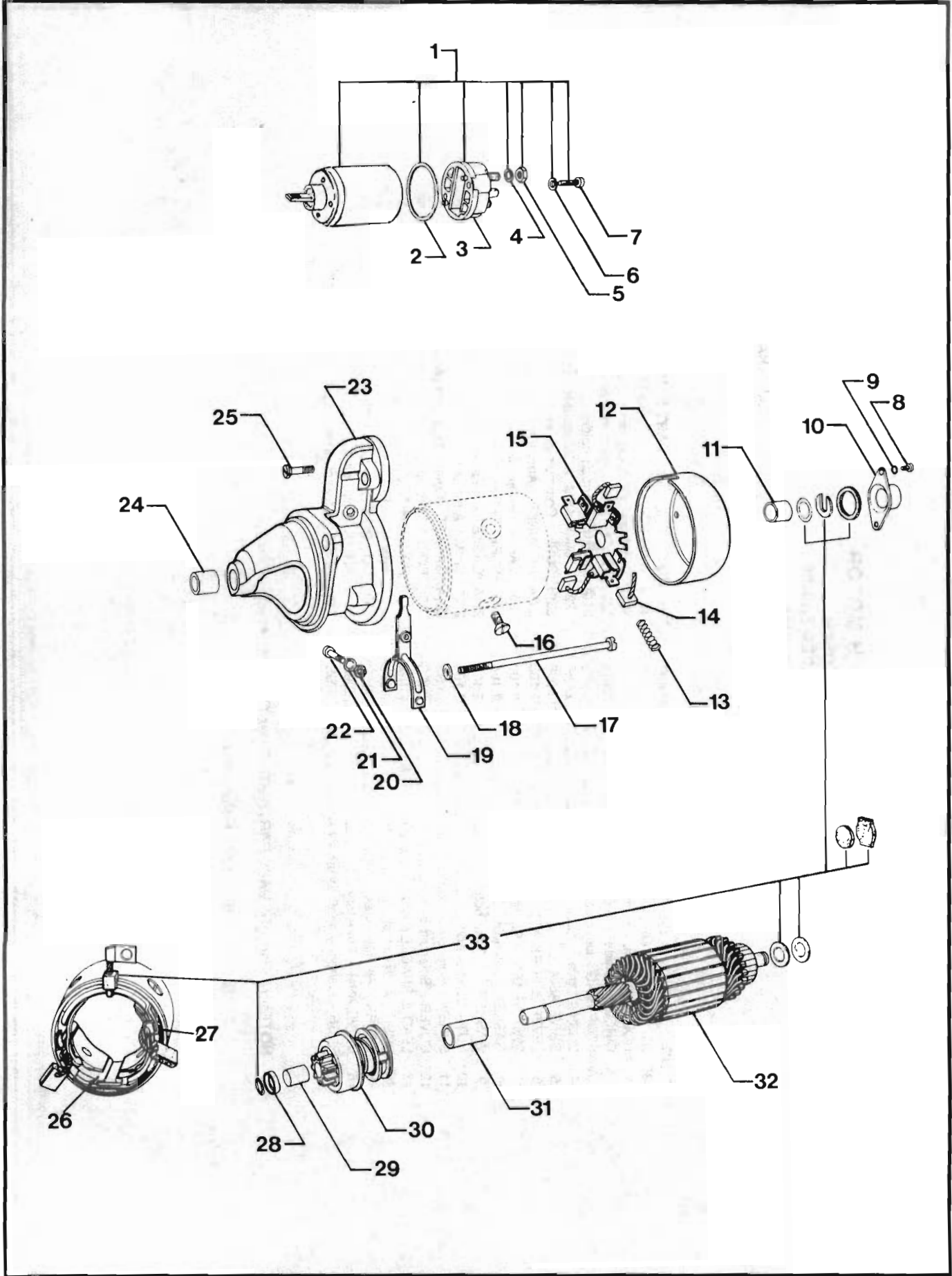
STARTER MOTOR
BOSCH
6 CYLINDER ENGINE
VL SERIES

ILLUSTRATION OPPOSITE

REF. NO.	PART NAME	GROUP	REF. NO.	PART NAME	GROUP
1-35	STARTER MOTOR ASM.....	2.041	18(A)	WASHER - Planetary drive shaft.....	NSS
1	HOUSING ASM. - Starter.....	2.085	19(A)	CIRCLIP - Planetary drive shaft.....	NSS
2(A)	CIRCLIP - Starter motor drive stop.....	NSS	20	PLATE ASM. - Brush holder.....	2.052
3(A)	STOP RING - Drive stop.....	NSS	21(A)	GASKET - Brush holder.....	NSS
4	BUSH - Drive.....	2.086	22	FRAME ASM. - Commutator end.....	2.067
5	DRIVE ASM.....	2.086	23(B)	BUSH - Commutator end.....	2.067
6	LEVER & FORK ASM. - Starter motor shift.....	2.108	24(A)	RETAINER - Armature.....	NSS
7	SWITCH ASM. - Starter motor solenoid.....	2.100	25	CAP - Bearing.....	2.067
8	GASKET - Solenoid.....	2.104	26	SCREW - Bearing cap.....	2.067
9	WASHER - Contact bolt.....	2.104	27(A)	GASKET - Bearing cap.....	NSS
10	NUT - Contact bolt.....	2.104	28(A)	SHIM - Armature.....	NSS
11	SCREW - Solenoid.....	NSS	29(A)	GASKET - Commutator end plate.....	NSS
12	COVER - Solenoid switch.....	NSS	30	BOLT - Through.....	2.077
13	LEAD & BRACKET ASM. - Solenoid switch.....	2.102	31	BRUSH KIT.....	2.051
14(B)	BUSH - Armature shaft.....	2.086	32	ARMATURE ASM.....	2.043
15	COVER - Planetary gear.....	NSS	33	HOUSING & MAGNET ASM.....	2.049
16	DRIVE ASM. - Planetary.....	2.086	34(B)	BUSH - Drive end.....	2.083
17(B)	BUSH - Planetary shaft to drive asm.....	NSS	35	SCREW - Switch attaching.....	2.102

NOTE:- (A Part of SMALL PARTS KIT Refer Group 2.041

(B Part of BUSH KIT Refer Group 2.041

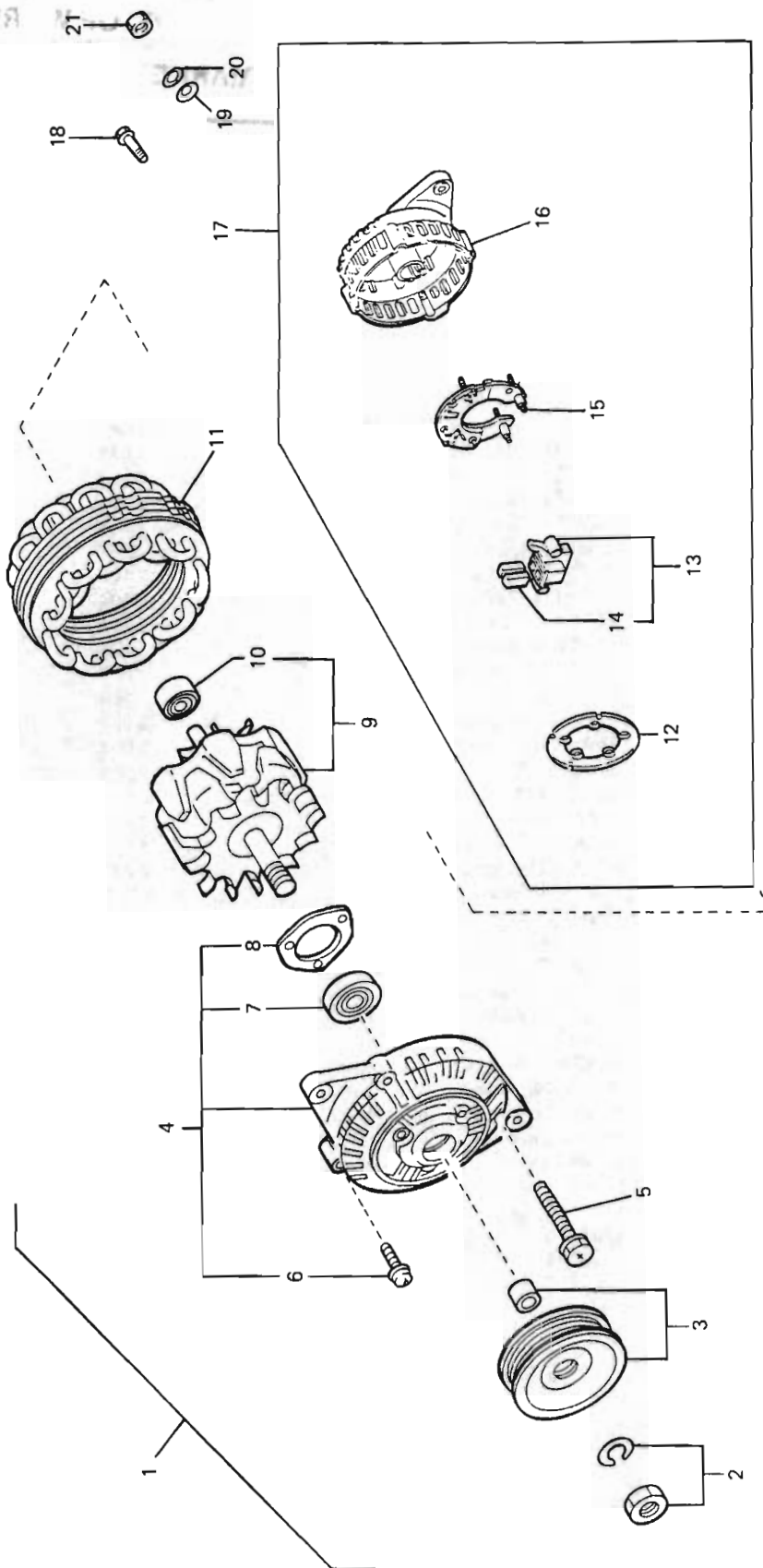




**STARTER MOTOR
BOSCH
8 CYLINDER ENGINE
VL SERIES**

ILLUSTRATION OPPOSITE

REF. NO.	PART NAME	GROUP
1-33	MOTOR ASM. - Starter.....	2.041
1	SWITCH ASM. - Solenoid.....	2.100
2	GASKET - Solenoid.....	2.104
3	COVER - Solenoid switch.....	2.104
4	WASHER - Contact bolt.....	N.S.S.
5	NUT - Contact bolt.....	2.102
6	WASHER - Cover attaching screw.....	2.104
7	SCREW - Cover attaching.....	2.104
8	SCREW - Bearing cap.....	N.S
9	WASHER - Bearing cap screw.....	N.S
10	CAP - Bearing.....	N.S
11	BUSH - Commutator end.....	2.067
12	FRAME ASM. - Commutator end.....	2.067
13	SPRING - Brush.....	2.053
14	BRUSH KIT.....	2.051
15	PLATE ASM. - Brush holder.....	2.052
16	SCREW - Pole shoe.....	2.077
17	BOLT - Through.....	2.077
18	WASHER - Through bolt.....	N.S.S.
19	LEVER ASM. - Shift.....	2.108
20	NUT - Lever screw.....	2.108
21	WASHER - Lever screw.....	2.108
22	SCREW - Lever pivot.....	2.108
23	HOUSING ASM. - Drive end with bush.....	2.085
24	BUSH - Drive end.....	2.083
25	SCREW - Solenoid switch attaching.....	2.102
26	COIL ASM. - Field.....	2.049
27	INSULATOR - Field coil to housing.....	2.049
28	RING - Drive stop.....	2.063
29	BUSH - Drive.....	2.086
30	DRIVE ASM.	2.086
31	SLEEVE - Drive.....	2.086
32	ARMATURE ASM.	2.043
33	SUNDRY PARTS KIT.....	2.041

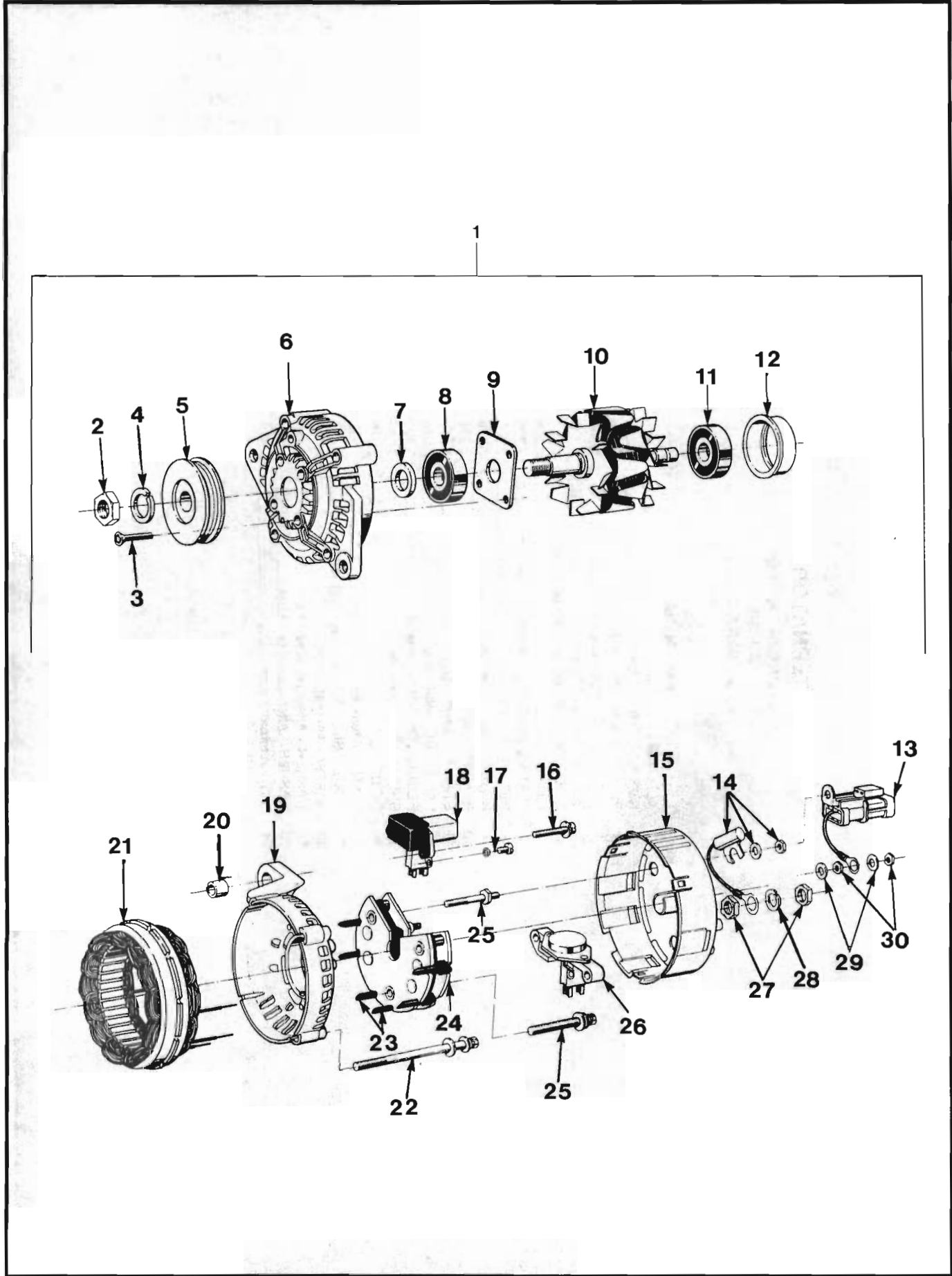




ALTERNATOR
6 CYLINDER ENGINE
HITACHI
VL SERIES

ILLUSTRATION OPPOSITE

REF. NO.	PART NAME	GROUP
1	ALTERNATOR ASM.....	2.275
2	NUT & WASHER - Alternator pulley.....	2.274
3	PULLEY & SPACER - Alternator.....	2.274
4	BEARING - Alternator drive end.....	2.306
5	BOLT - Alternator through.....	2.316
6	SCREW KIT - Alternator drive end bearing retainer.....	2.305
7	PLATE & BEARING - Alternator drive end.....	2.305
8	RETAINER - Alternator drive end bearing.....	2.305
9	ROTOR ASM. - Alternator.....	2.279
10	BEARING - Alternator slip ring end.....	2.298
11	STATOR - Alternator.....	2.310
12	FAN GUIDE - Alternator.....	2.274
13	REGULATOR ASM. - Voltage & current.....	2.500
14	BRUSH KIT - Alternator.....	2.285
15	DIODE ASM. - Alternator.....	2.319
16	PLATE - Alternator slip ring end.....	N.S.
17	PLATE ASM. - Alternator slip ring end.....	2.297
18	SCREW - Alternator - Rear.....	2.313
19	WASHER - Alternator rear - Flat.....	2.313
20	WASHER - Alternator rear - Lock.....	2.313
21	NUT - Alternator rear.....	2.313

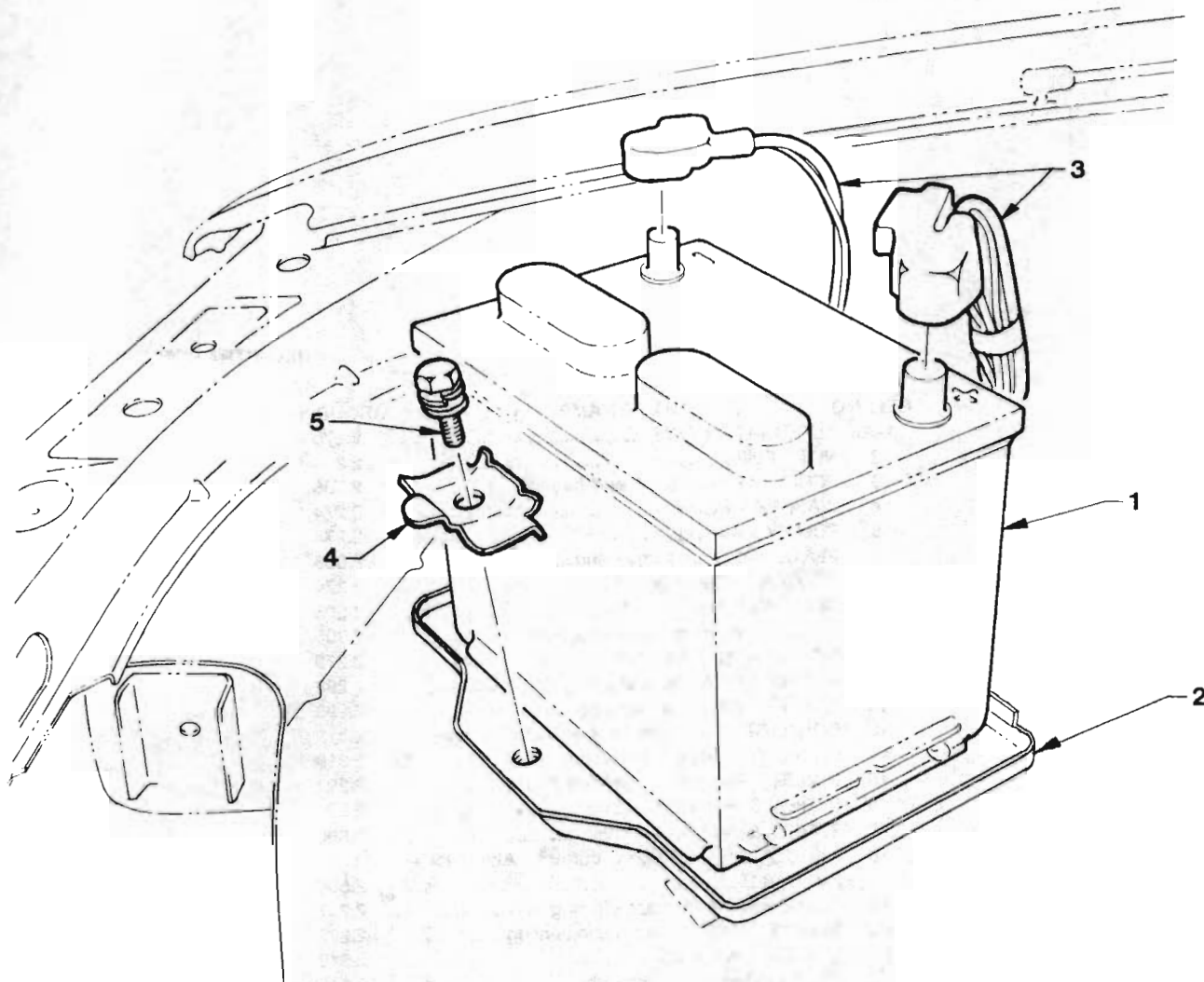




**ALTERNATOR
BOSCH
VL SERIES**

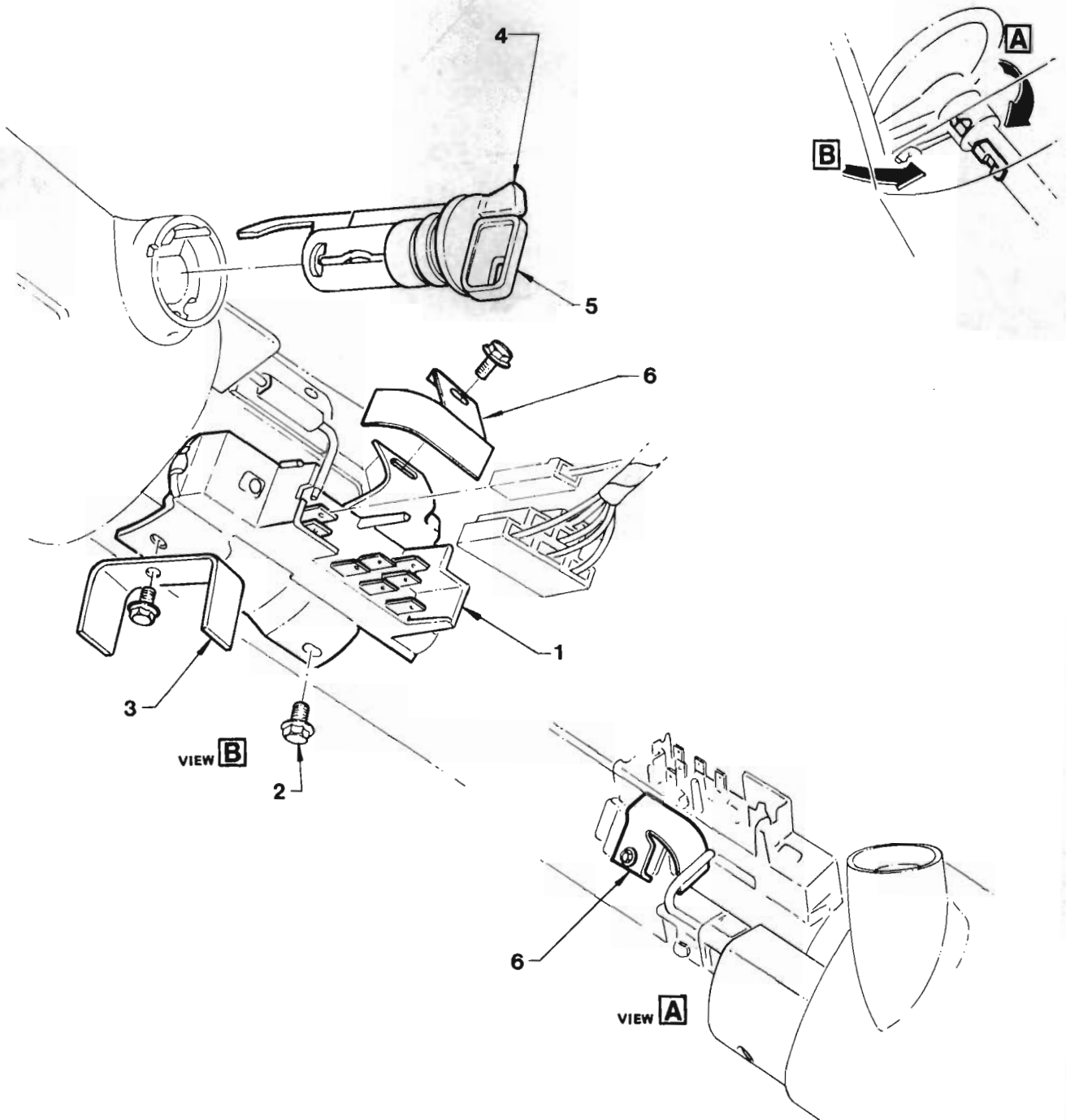
ILLUSTRATION OPPOSITE

REF. NO.	PART NAME	GROUP
1-30	ALTERNATOR ASM.....	2.275
2	NUT - Pulley.....	2.274
3	SCREW - Plate - drive end bearing.....	2.305
4	WASHER - Pulley.....	2.274
5	PULLEY - Alternator.....	2.274
6	PLATE - Alternator drive end.....	2.305
7	SPACER - Alternator pulley.....	2.274
8	BEARING - Alternator drive end.....	2.306
9	PLATE - Alternator drive end bearing.....	2.305
10	ROTOR ASM. - Alternator.....	2.279
11	BEARING - Alternator slip ring end.....	2.298
12	SLEEVE - Alternator slip ring end.....	2.298
13	CONNECTOR - Alternator terminal - 1st type.....	2.313
14	CAPACITOR ASM. - Alternator.....	2.319
15	COVER - Rectifier - Alternator end.....	2.297
16	SCREW & WASHER - Long.....	2.500
17	SCREW & WASHER - Short.....	2.500
18	REGULATOR - Voltage & current - Alternator - 2nd type.....	2.500
19	PLATE ASM. Alternator slip ring end.....	2.297
20	SLEEVE - Split - Alternator mounting.....	2.277
21	STATOR - Alternator.....	2.310
22	BOLT - Alternator - Through.....	2.316
23	SLEEVE - Rectifier - Alternator terminal.....	2.313
24	RECTIFIER ASM. - Alternator.....	2.319
25	SCREW & WASHER - Rectifier.....	2.319
26	REGULATOR - Voltage & current - Alternator - 1st type.....	2.500
27	NUT.....	N.S.
28	WASHER.....	N.S.
29	WASHER - Connector.....	2.313
30	NUT - Connector.....	2.313



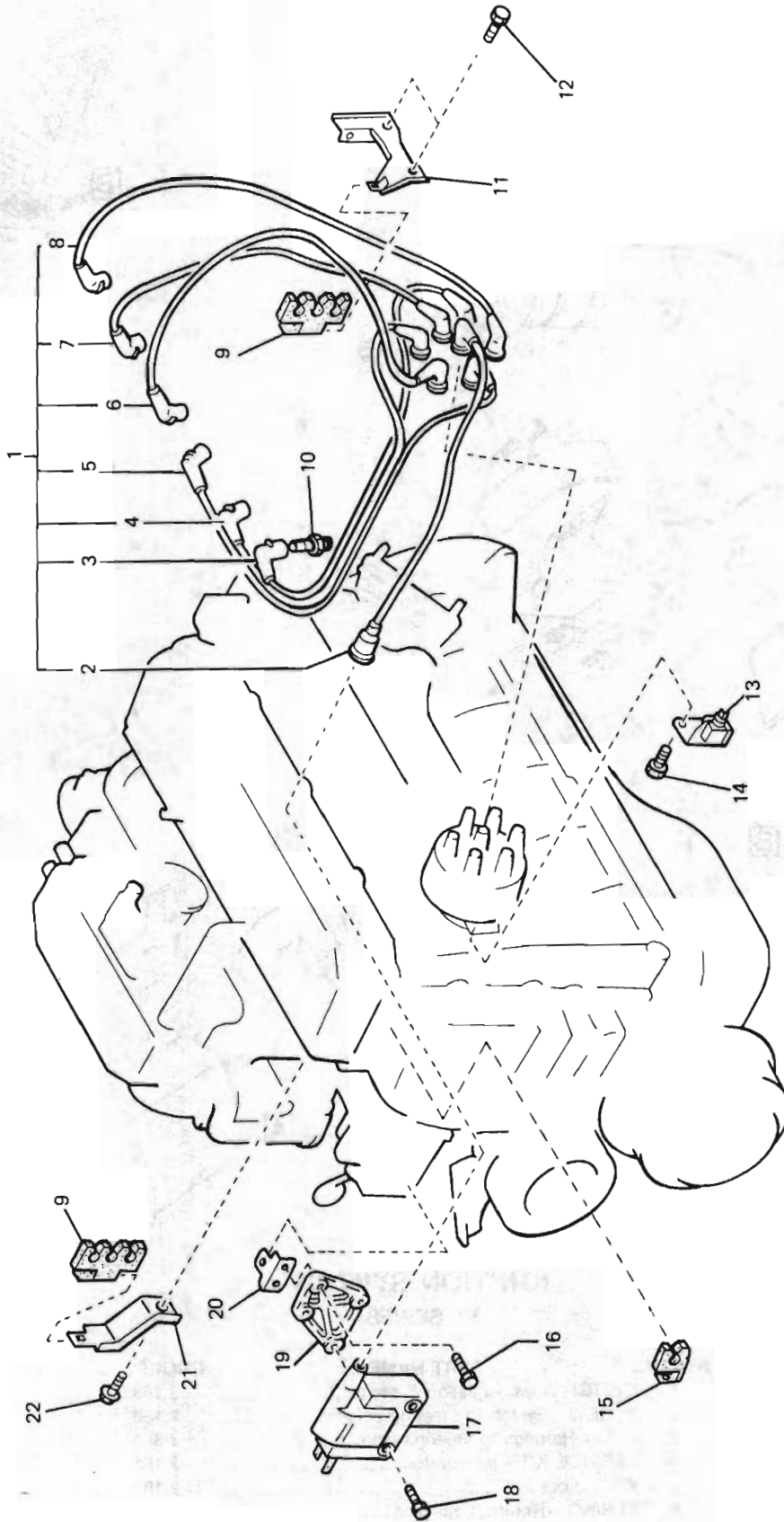
**BATTERY & CARRIER
VL SERIES**

REF. NO.	PART NAME	GROUP
1	BATTERY	2.330
2	CARRIER ASM. - Battery	2.333
3	HARNESS ASM. - Battery	2.342
4	HOLDER - Battery	2.335
5	SCREW - Battery holder	2.335



**IGNITION SWITCH
VL SERIES**

REF. NO.	PART NAME	GROUP
1	SWITCH ASM. - Ignition & starting.....	2.188
2	SCREW - Switch to steering column.....	2.188
3	CLIP - Harness to steering column.....	2.895
4	SERVICE KIT - Ignition lock.....	2.188
5	KEY - Lock.....	2.188
6	SPRING - Return, Leaf type.....	2.188

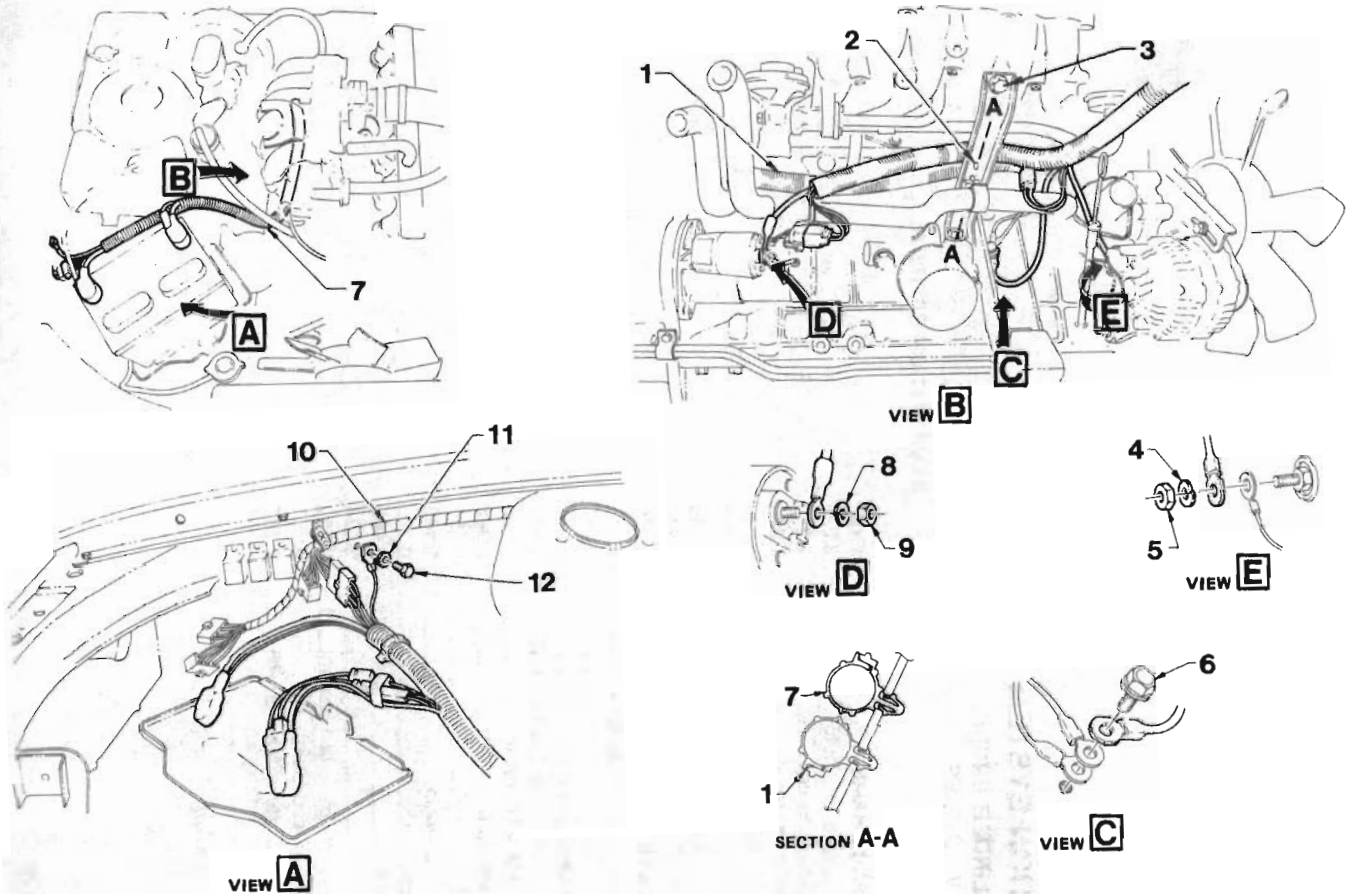




**IGNITION SYSTEM
6 CYLINDER ENGINE
VL SERIES**

ILLUSTRATION OPPOSITE

REF. NO.	PART NAME	GROUP
1	LEAD KIT - Spark plug & distributor	2.239
2	LEAD ASM. - Distributor to coil.....	2.240
3	LEAD ASM. - Spark plug, No. 1	2.240
4	LEAD ASM. - Spark plug, No. 2	2.240
5	LEAD ASM. - Spark plug, No. 3	2.240
6	LEAD ASM. - Spark plug, No. 4	2.240
7	LEAD ASM. - Spark plug, No. 5	2.240
8	LEAD ASM. - Spark plug, No. 6	2.240
9	CLAMP - Spark plug leads retaining	2.251
10	PLUG - Spark	2.270
11	BRACKET - Spark plug lead clamp, LH	2.251
12	BOLT - Spark plug lead clamp bracket, LH	2.251
13	CONTROL UNIT ASM. - Distributor.....	2.383
14	SCREW - Control unit to distributor.....	2.383
15	CLAMP - Coil lead retaining.....	2.251
16	BOLT - Coil bracket to engine	2.183
17	COIL ASM - Ignition	2.170
18	BOLT - Coil to bracket	2.183
19	BRACKET - Coil.....	2.183
20	BRACKET - Engine harness to coil bracket.....	2.559
21	BRACKET - Spark plug lead clamp, RH.....	2.251
22	BOLT - Spark plug lead clamp bracket, RH	2.251

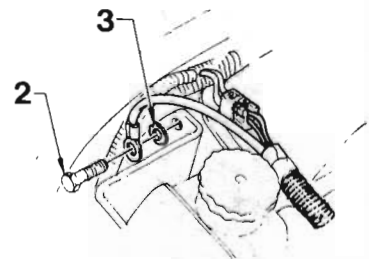
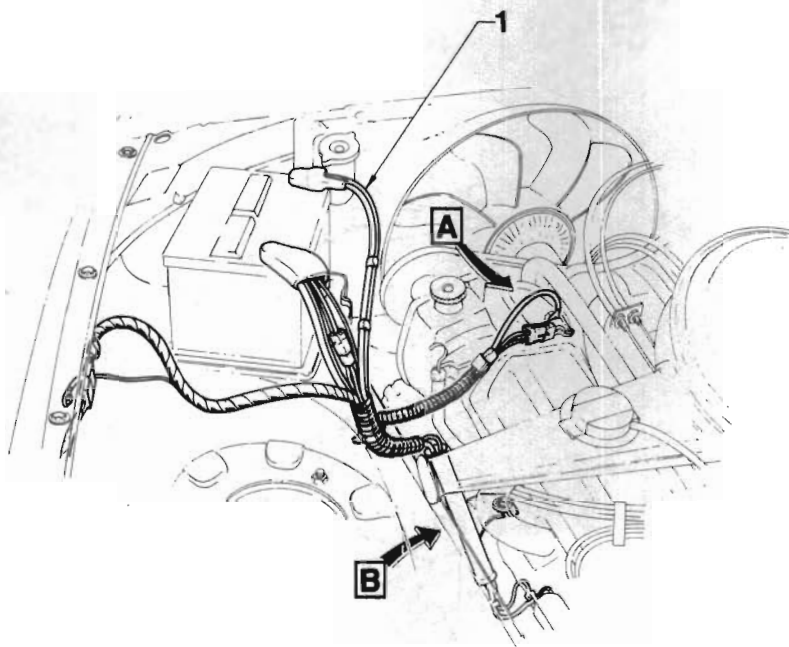


**BATTERY HARNESS
6 CYLINDER ENGINE
VL SERIES**

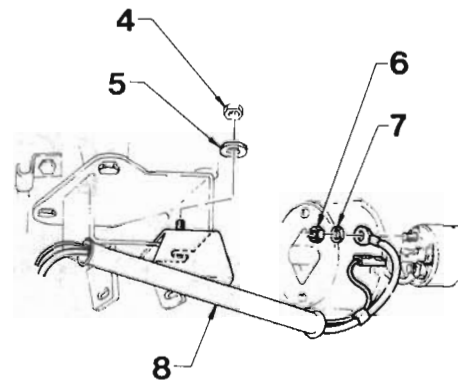
REF. NO.	PART NAME	GROUP
1	HARNESS ASM. - Engine	2.525
2	BRACE - Manifold to cylinder block	3.265
3	BOLT - Brace to manifold & collector	3.265
4	WASHER - Lead to alternator	2.343
5	NUT - Lead to alternator	2.343
6	BOLT - Mounting bracket to engine	0.002M
7	HARNESS ASM. - Battery	2.342
8	WASHER - Battery harness to starter motor	2.343
9	NUT - Battery harness to starter motor	2.343
10	HARNESS ASM. - Main wiring & body	2.480
11	WASHER - Battery harness & main wiring harness, Earth	2.343
12	SCREW - Battery harness & main wiring harness, Earth	2.343



"V" SERIES PARTS CATALOGUE



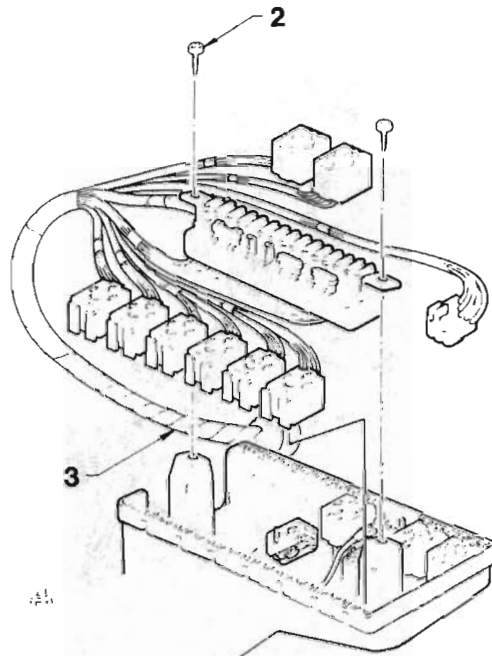
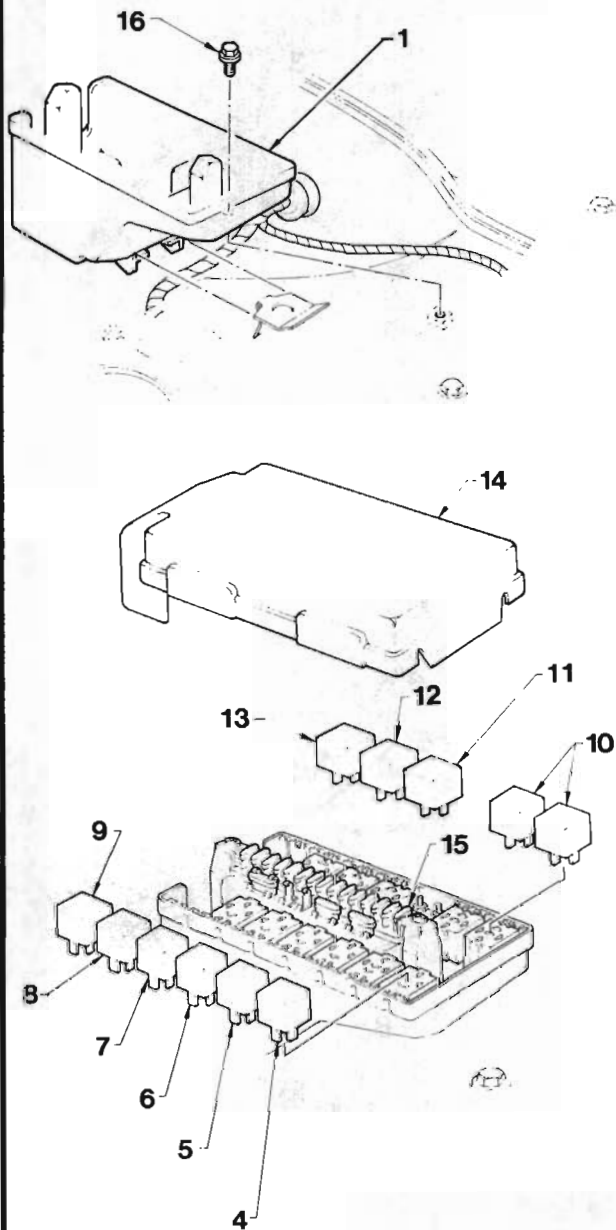
VIEW **A**



VIEW **B**

BATTERY HARNESS 8 CYLINDER ENGINE VL SERIES

REF. NO.	PART NAME	GROUP
1	HARNESS ASM. - Battery.....	2.342
2	SCREW - Harness & main wiring harness - Earth	2.343
3	WASHER - Battery harness & main wiring harness - Earth	2.343
4	NUT - Tube to engine mounting	2.343
5	WASHER - Tube to engine mounting.....	2.343
6	NUT - Battery cable to starter motor	2.102
7	WASHER - Battery cable to starter motor	2.102
8	TUBE - Starter cable guide.....	2.343

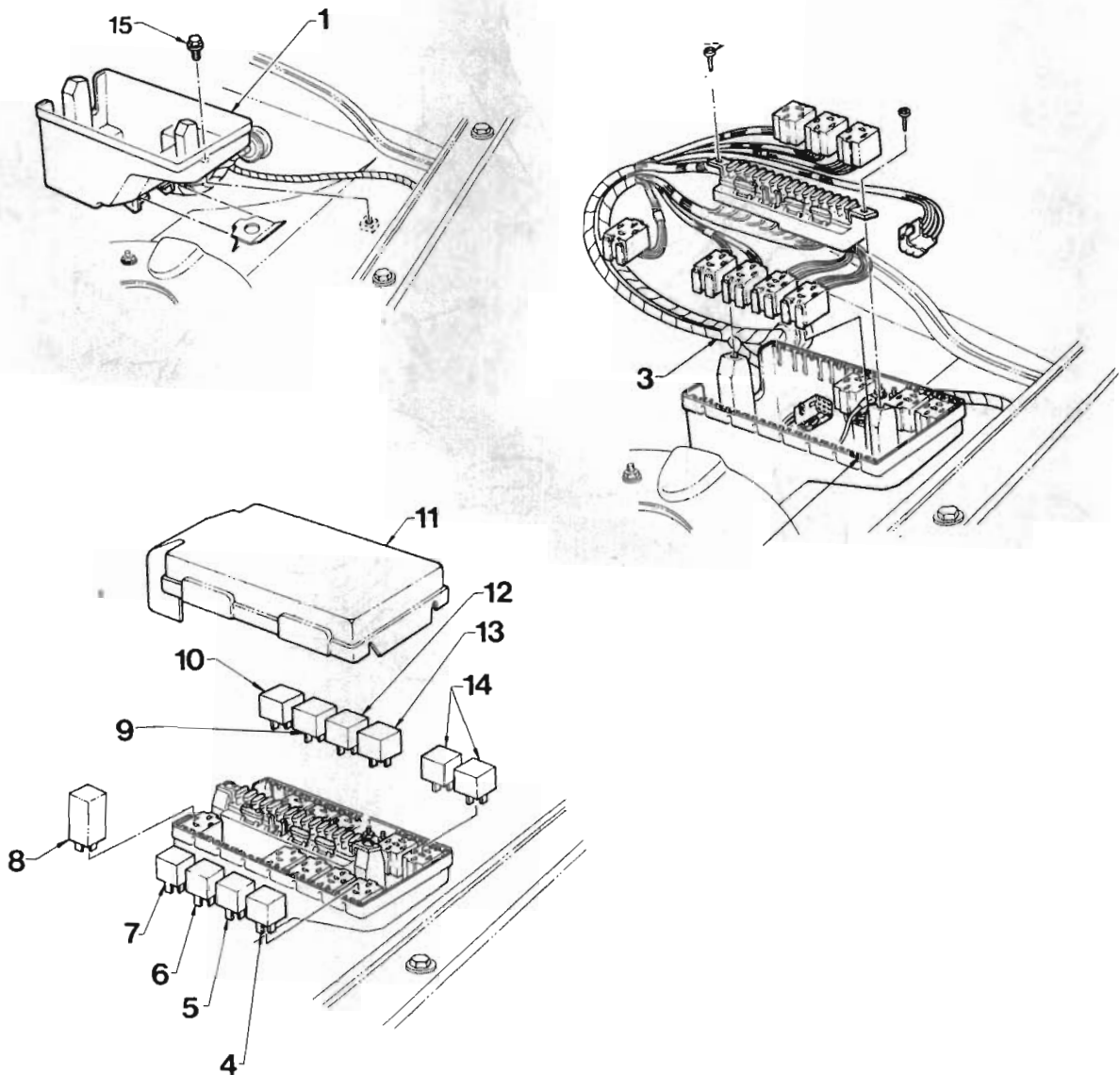


**FUSE BOX & RELAYS
6 CYLINDER ENGINE
VL SERIES**

REF. NO.	PART NAME	GROUP
1	FUSE BOX & HARNESS ASM.....	2.483
2	SCREW - Fuse panel to fuse box.....	2.483
3	HARNESS ASM. - Main wiring & body.....	2.480
4	RELAY - Headlamp supply.....	2.459
5	RELAY - Headlamp.....	2.459
6	RELAY - Park lamps.....	2.459
7	RELAY - Control blower.....	8.849
8	RELAY ASM. - Electronic fuel injection (E.F.I.)...	5.318
9	RELAY ASM. - Electric fuel pump control.....	3.900
10	RELAY ASM. - Electric door locks.....	10.485
11	RELAY ASM. - Power operated windows.....	10.777
12	RELAY ASM. - Horn.....	2.815
13	RELAY ASM. - Auxiliary fan.....	1.055
14	COVER - Fuse box.....	2.483
15	FUSES.....	2.483
16	BOLT - Fuse box mounting.....	2.483

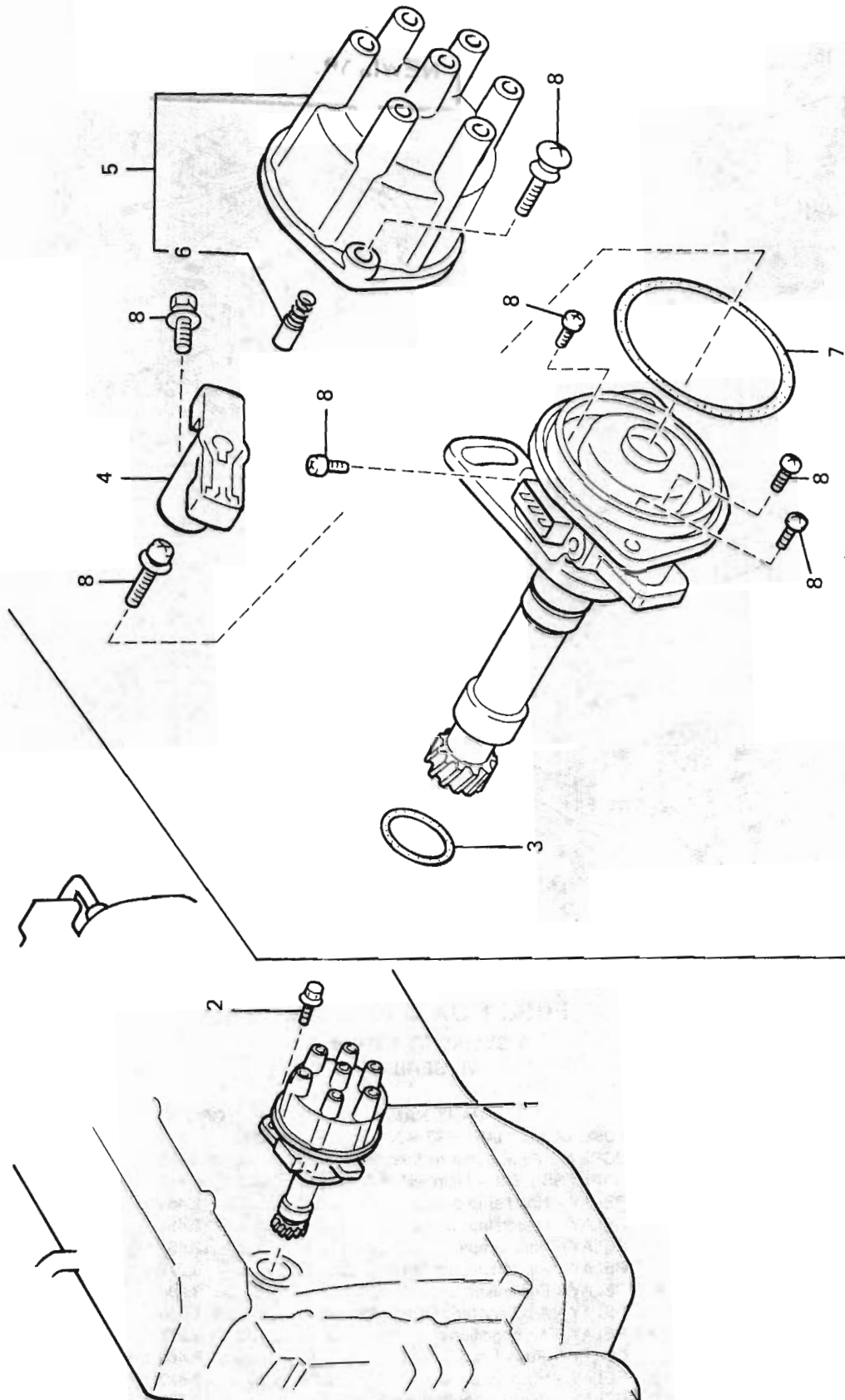


"V" SERIES PARTS CATALOGUE



FUSE BOX & RELAYS 8 CYLINDER ENGINE VL SERIES

REF. NO.	PART NAME	GROUP
1	FUSE BOX & HARNESS ASM.....	2.483
2	SCREW - Fuse panel to fuse box.....	2.483
3	HARNESS ASM. - Main wiring & body.....	2.480
4	RELAY - Headlamp supply.....	2.459
5	RELAY - Headlamp.....	2.459
6	RELAY - Park lamps.....	2.459
7	RELAY - Air conditioner blower.....	9.277
8	RELAY - Fuel pump.....	3.900
9	RELAY - Auxiliary fan, Air conditioner.....	1.055
10	RELAY - Air conditioner control.....	9.277
11	COVER - Fuse box.....	2.483
12	RELAY - Horn.....	2.825
13	RELAY - Power operated window.....	10.777
14	RELAY - Electric door locks.....	10.485
15	BOLT - Fuse box mounting.....	2.483

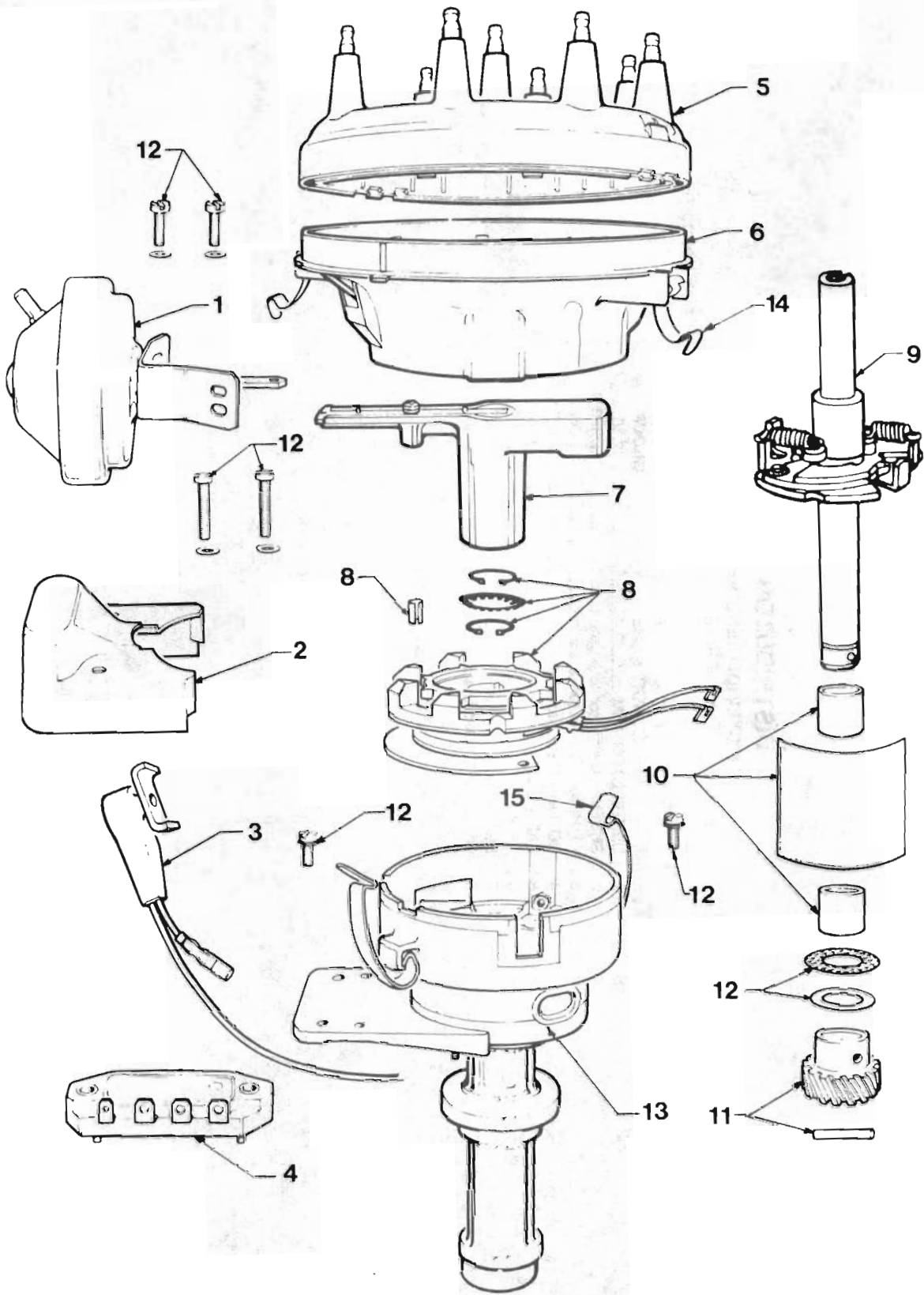




**DISTRIBUTOR
6 CYLINDER ENGINE
VL SERIES**

ILLUSTRATION OPPOSITE

REF. NO.	PART NAME	GROUP
1	DISTRIBUTOR ASM.....	2.361
2	SCREW - Distributor to engine.....	2.363
3	'O' RING - Distributor to engine.....	2.363
4	ROTOR - Distributor.....	2.382
5	CAP - Distributor.....	2.367
6	BRUSH - Distributor cap.....	2.368
7	SEAL - Distributor cap.....	2.367
8	SCREW KIT - Distributor.....	2.361



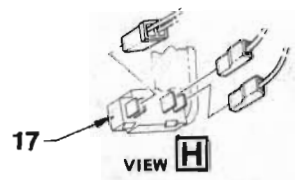
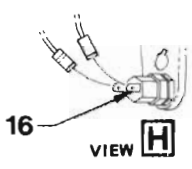
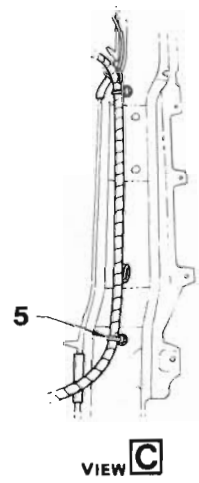
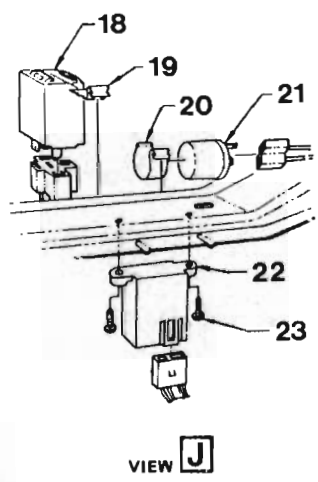
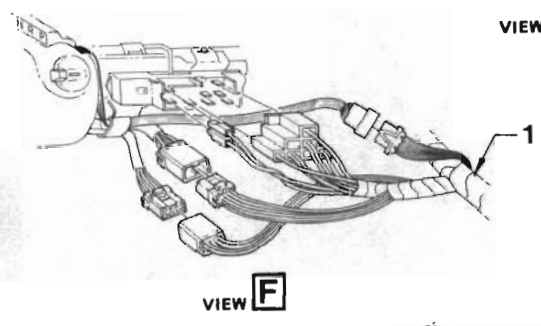
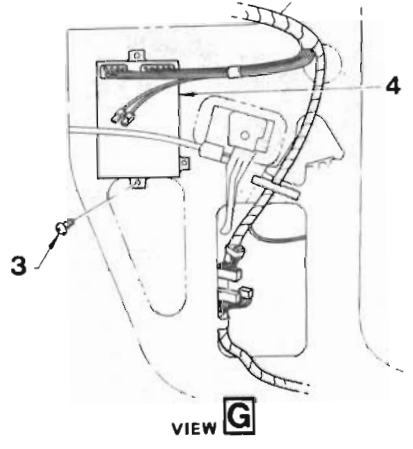
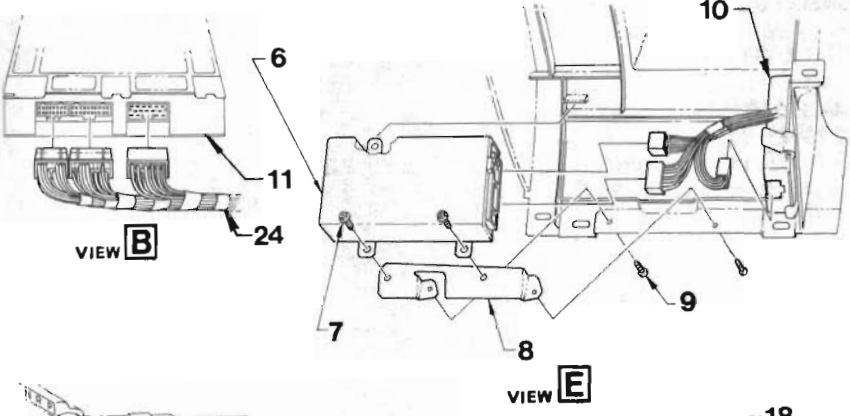
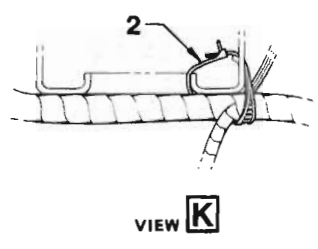
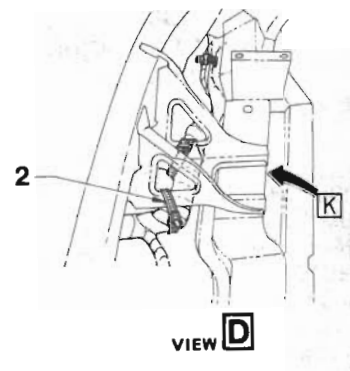
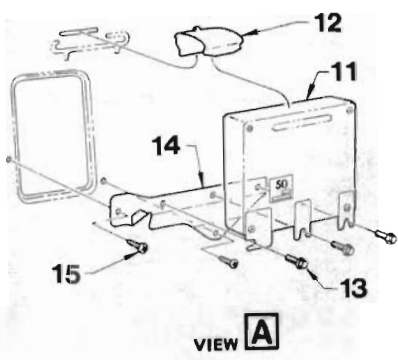
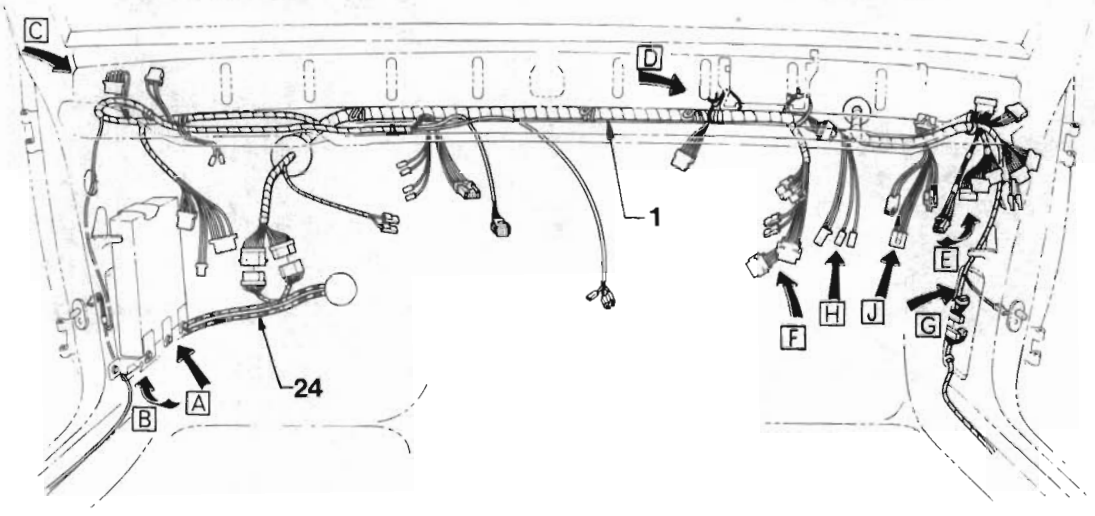


"V" SERIES PARTS CATALOGUE

DISTRIBUTOR BOSCH 8 CYLINDER ENGINE VL SERIES

ILLUSTRATION OPPOSITE

REF. NO.	PART NAME	GROUP
1-13	DISTRIBUTOR ASM.....	2.361
1	VACUUM CONTROL ASM.....	2.410
2	COVER - Module.....	2.383
3	CONNECTOR - Module.....	2.383
4	MODULE SET.....	2.383
5	CAP.....	2.367
6	RING - Distributor cap.....	2.368
7	ROTOR.....	2.382
8	SENSOR & RELUCTOR KIT.....	2.383
9	SHAFT WITH WEIGHTS.....	2.372
10	BUSH & FELT KIT.....	2.363
11	GEAR & PIN.....	2.374
12	SMALL PARTS KIT.....	2.361
13	HOUSING.....	N.S.
14	CLIP - Cap to ring retaining.....	2.368
15	CLIP - Ring to housing.....	2.368

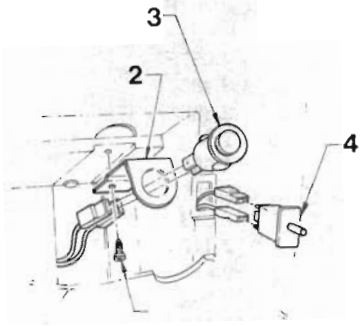
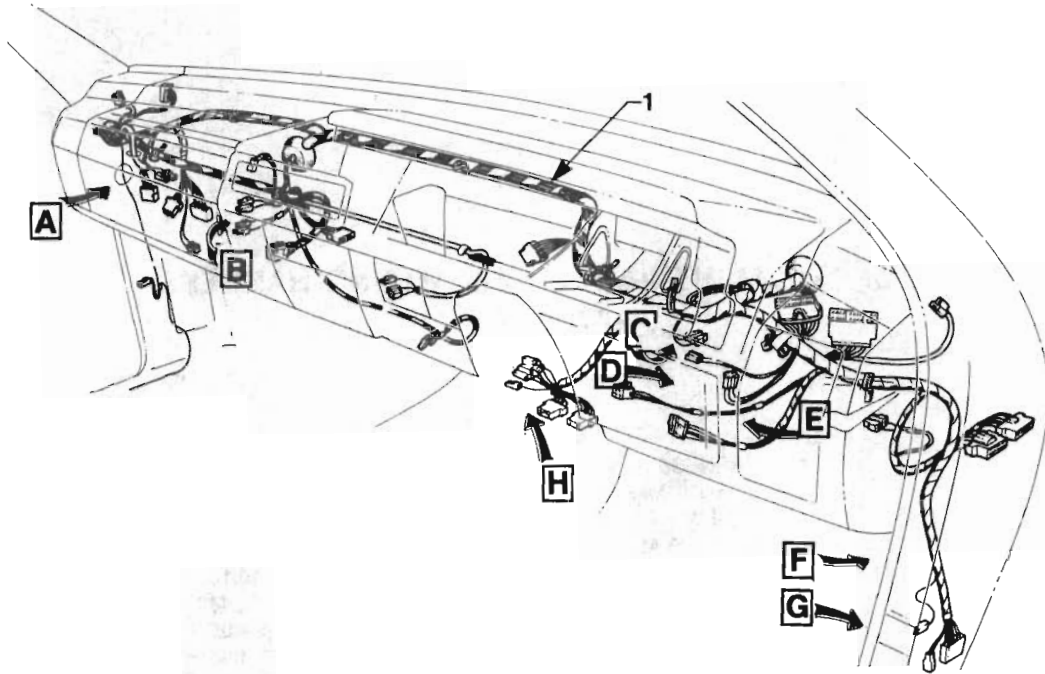




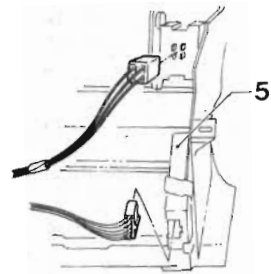
**INSTRUMENT PANEL MAIN WIRING HARNESS
6 CYLINDER ENINE
VL SERIES**

ILLUSTRATION OPPOSITE

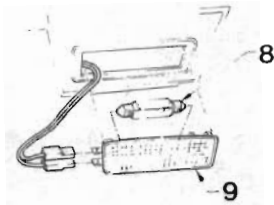
REF. NO.	PART NAME	GROUP
1	HARNESS ASM. - Main wiring & body	2.480
2	STRAP - Main wiring harness.....	2.483
3	SCREW - Windshield wiper module mounting	10.163
4	MODULE ASM. - Wiper & rear window demist/rear wiper.....	10.163
5	STRAP - Main wiring harness to dash panel.....	2.483
6	MODULE ASM. - Transmission shift control	4.057R
7	SCREW - Transmission module to bracket	4.057R
8	BRACKET - Transmission module to mounting...	4.057R
9	SCREW - Transmission module bracket to instrument panel lower.....	4.057R
10	MODULE ASM. - Cruise control.....	3.880
11	MODULE ASM. - E.C.C.S. control	2.383
12	CLAMP - E.C.C.S. module retention.....	2.383
13	BOLT - E.C.C.S. module to bracket.....	2.383
14	BRACKET ASM. - E.C.C.S. module mounting.....	2.383
15	SCREW - Module bracket to dash panel	2.383
16	SWITCH ASM. - Stoplamp	2.447
17	SWITCH ASM. - Stoplamp & cruise control.....	2.447
18	FLASHER ASM. - Turn signal	2.892
19	CLIP - Turn signal flasher to carrier.....	2.892
20	CLIP - Hazard warning to carrier.....	2.892
21	FLASHER ASM. - Hazard warning.....	2.892
22	MODULE & ADAPTOR ASM. - Coolant level sensor.....	1.150
23	SCREW - Coolant level sensor module to instrument panel.....	1.150
24	HARNESS ASM. - Engine	2.525



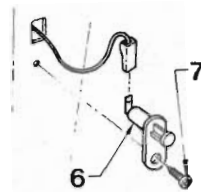
VIEW B



VIEW E



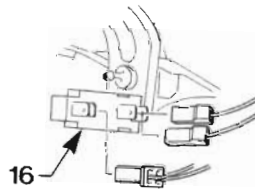
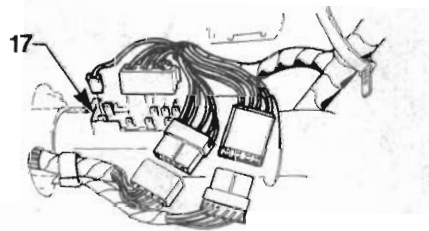
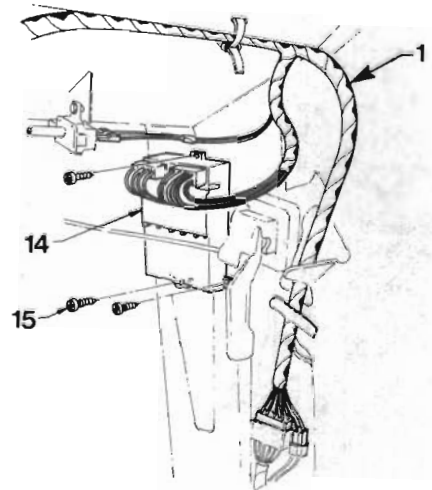
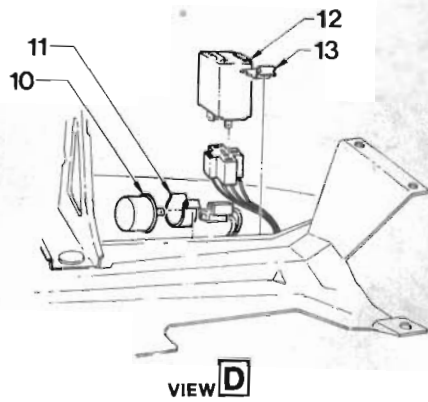
VIEW A



VIEW G



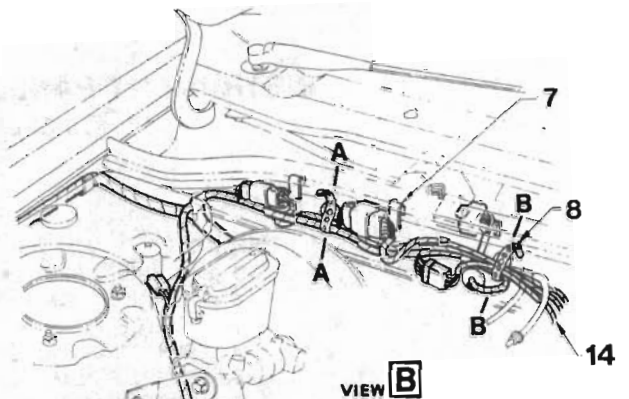
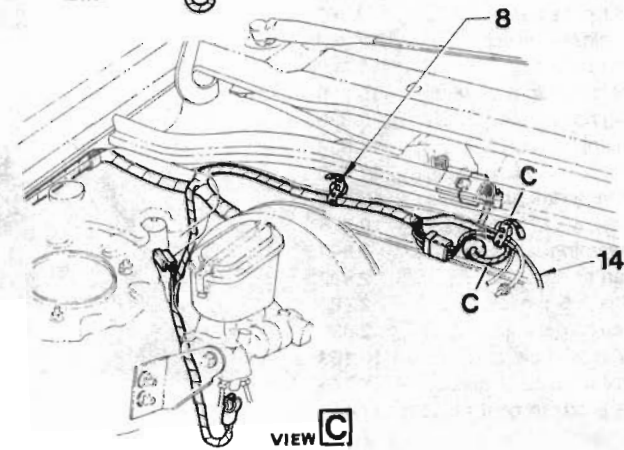
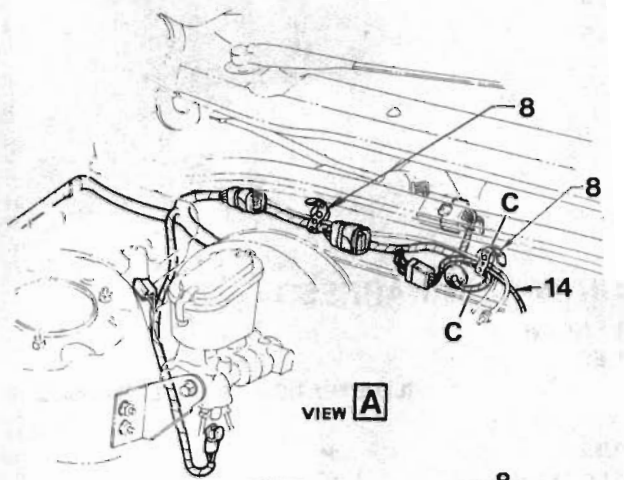
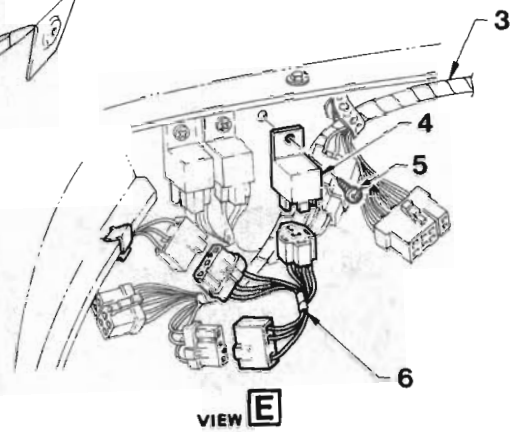
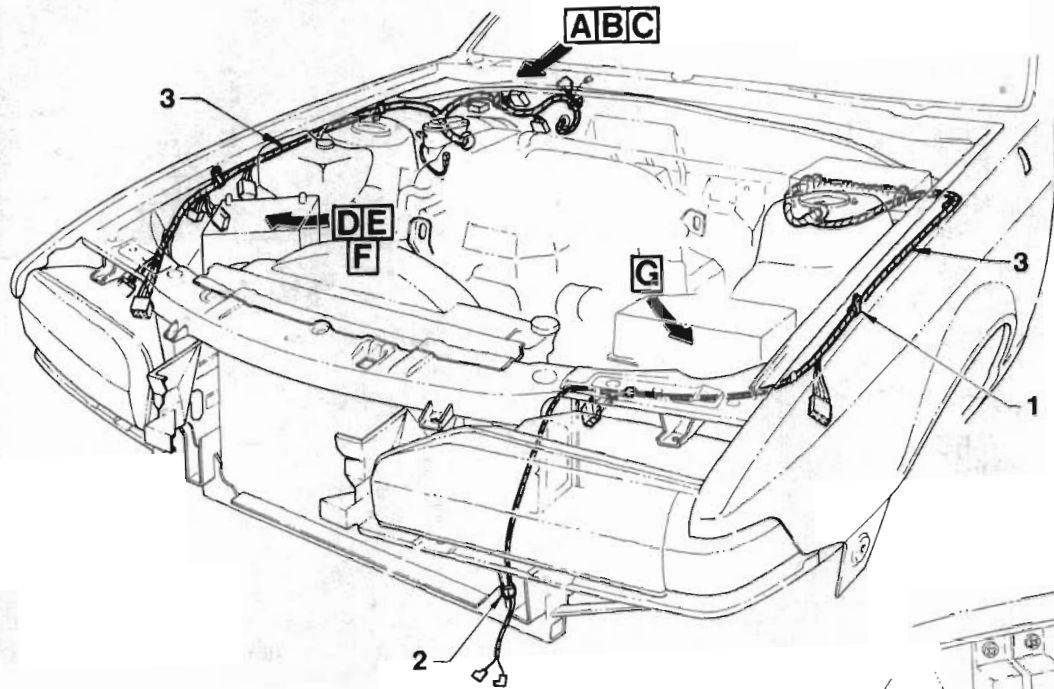
"V" SERIES PARTS CATALOGUE

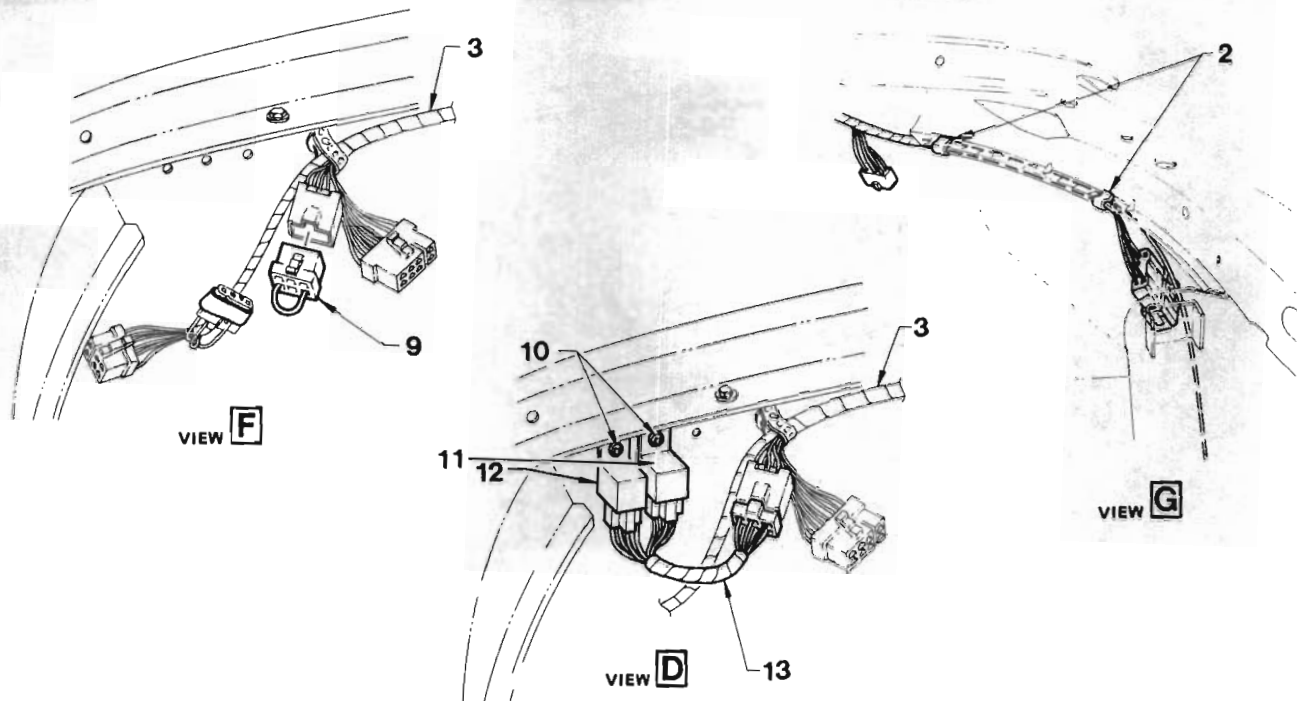


INSTRUMENT PANEL MAIN WIRING HARNESS 8 CYLINDER ENGINE VL SERIES

ILLUSTRATION ABOVE & OPPOSITE

REF. NO.	PART NAME	GROUP
1	HARNESS ASM. - Main wiring harness.....	2.480
2	BRACKET - Deck lid boot release switch	12.243
3	SWITCH - Deck lid boot release.....	12.243
4	SWITCH - Instrument panel compartment lamp..	10.275
5	MODULE ASM. - Cruise control.....	3.880
6	SWITCH ASM. - Courtesy lamp	11.950
7	SCREW - Switch attaching.....	11.950
8	BULB - Instrument panel compartment lamp.....	10.275
9	LAMP ASM. - Instrument.....	10.275
10	FLASHER ASM. - Hazard warning.....	2.892
11	CLIP - Hazard flasher to carrier	2.892
12	FLASHER ASM. - Turn signal - 3 pin	2.892
13	CLIP - Turn signal flasher to carrier	2.892
14	MODULE ASM. - Heated rear window.....	10.163
15	SCREW - Module mounting	9.778
16	SWITCH ASM. - Stop lamp & cruise control	2.447
17	SWITCH ASM. - Ignition & starter	2.188

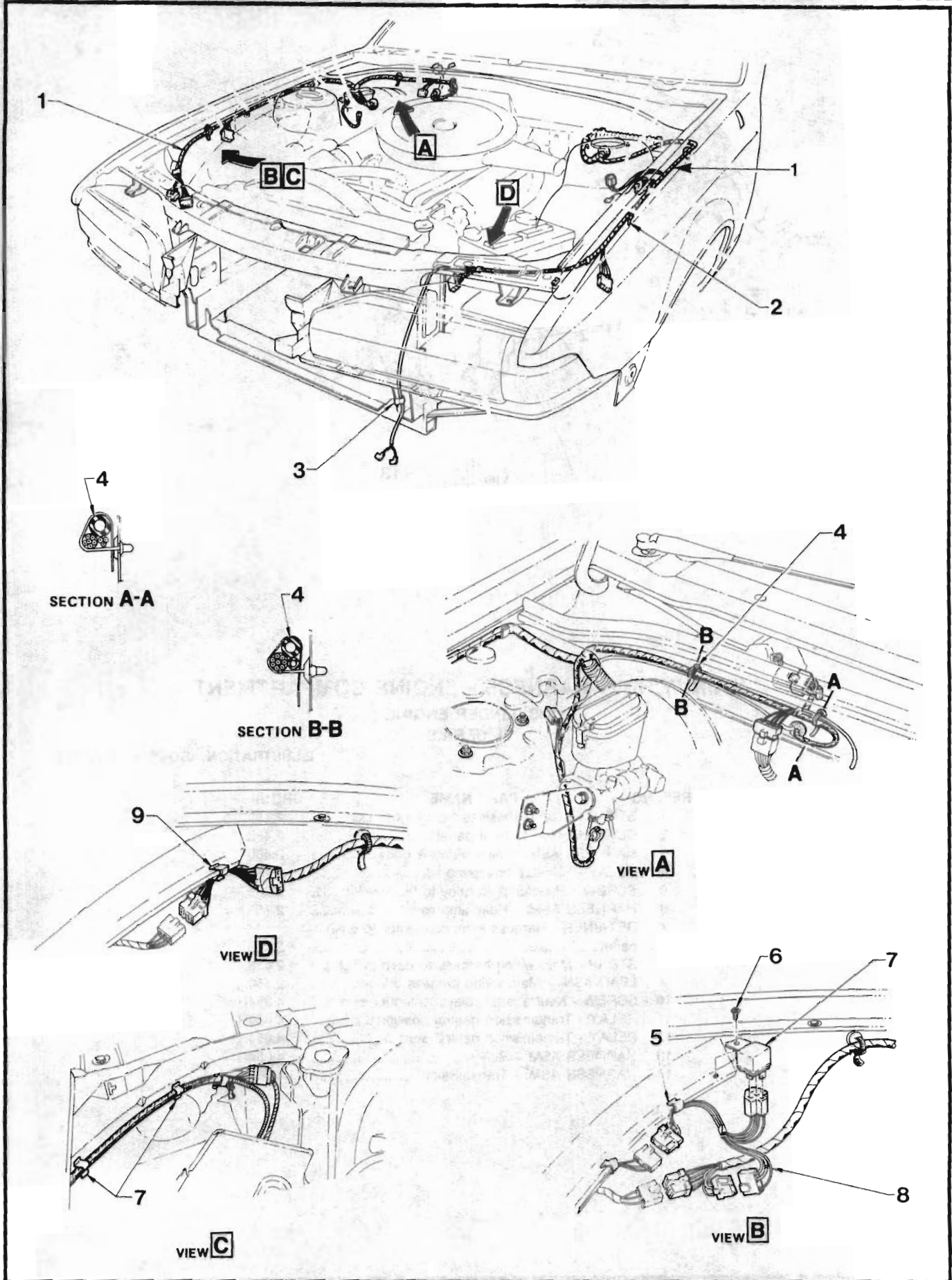




MAIN WIRING HARNESS - ENGINE COMPARTMENT
6 CYLINDER ENGINE
VL SERIES

ILLUSTRATION ABOVE & OPPOSITE

REF. NO.	PART NAME	GROUP
1	STRAP - Main harness to front fender skirt.....	2.483
2	CLIP - Harness to front panel.....	2.483
3	HARNESS ASM. - Main wiring & body.....	2.480
4	RELAY - Harness headlamp lid.....	2.755
5	SCREW - Headlamp lid relay to fender skirt.....	2.755
6	HARNESS ASM. - Headlamp lid.....	2.755
7	RETAINER - Harness asm. connector to dash panel.....	2.480
8	STRAP - Main wiring harness to dash panel.....	2.483
9	LEAD ASM. - Main wiring harness bridge.....	2.480
10	SCREW - Neutral start relays to fender skirt.....	4.054R
11	RELAY - Transmission neutral position.....	4.054R
12	RELAY - Transmission neutral start.....	4.054R
13	HARNESS ASM. - Relay.....	4.054R
14	HARNESS ASM. - Transmission.....	4.054R



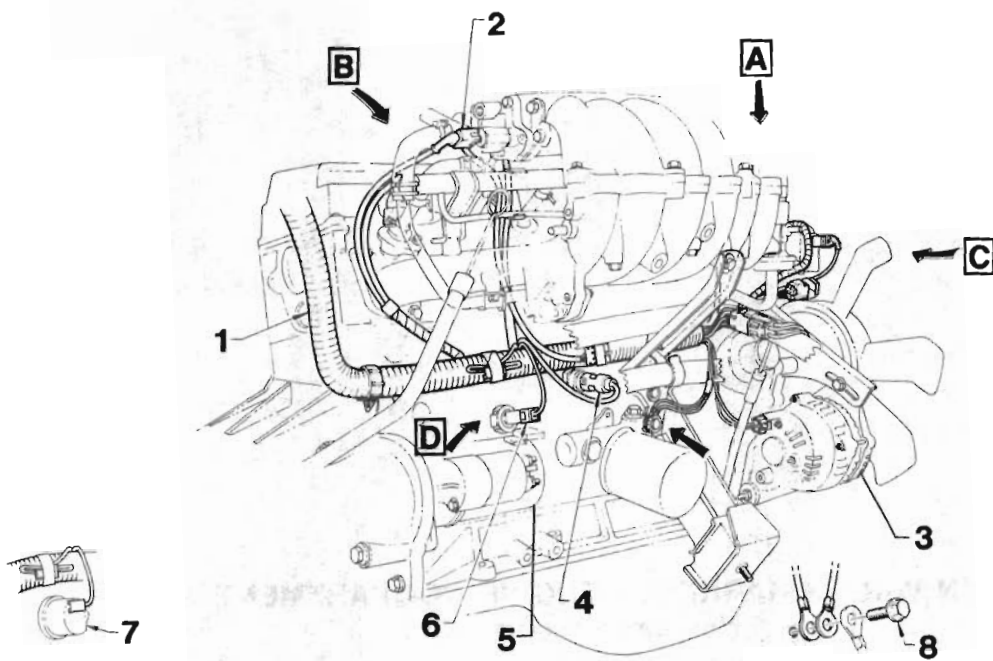


**MAIN WIRING HARNESS - ENGINE COMPARTMENT
8 CYLINDER ENGINE
VL SERIES**

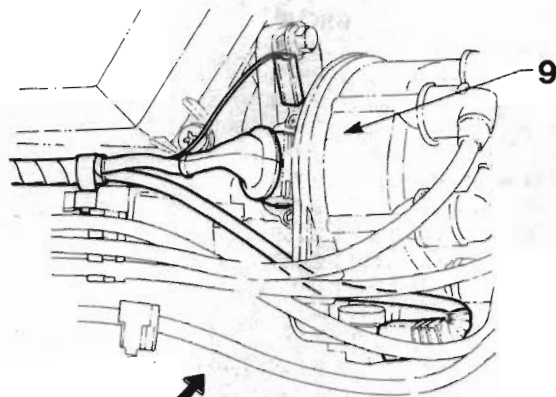
ILLUSTRATION OPPOSITE

REF. NO.	PART NAME	GROUP
1	HARNESS ASM. - Main wiring & body	2.480
2	STRAP - Harness to fender skirt	2.483
3	CLIP - Harness to front panel	2.483
4	STRAP - Harness to dash panel.....	2.483
5	CLIP - Headlamp lid harness to RH front panel .	2.483
6	SCREW - Headlamp lid relay to fender skirt	2.755
7	RELAY - Harness, Headlamp lid.....	2.755
8	HARNESS ASM. - Headlamp lid.....	2.755
9	CLIP - Harness to front panel	2.483

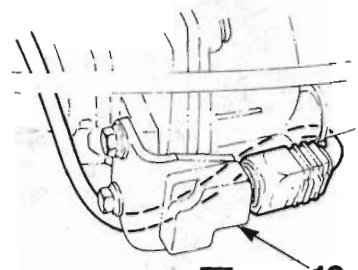
"V" SERIES PARTS CATALOGUE



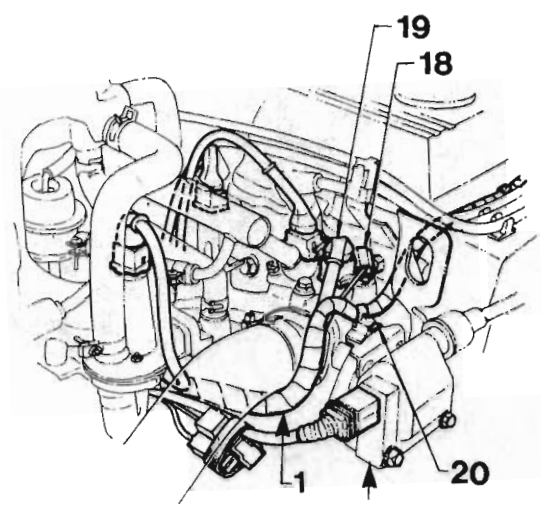
VIEW **D**



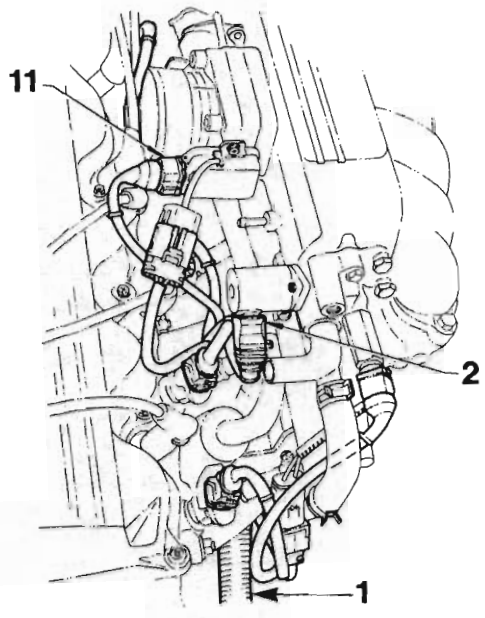
VIEW **A**

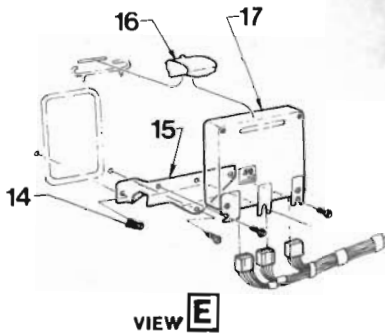
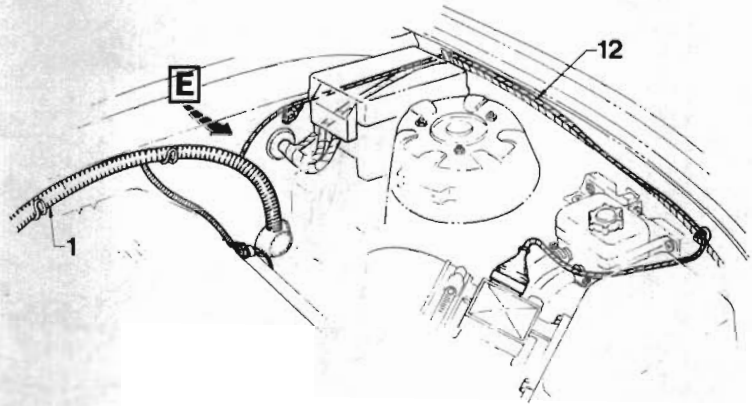


VIEW **B**

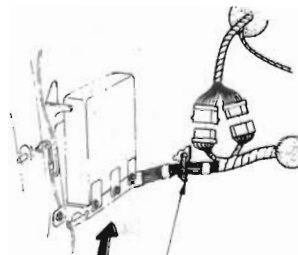


VIEW **C**





VIEW **E**



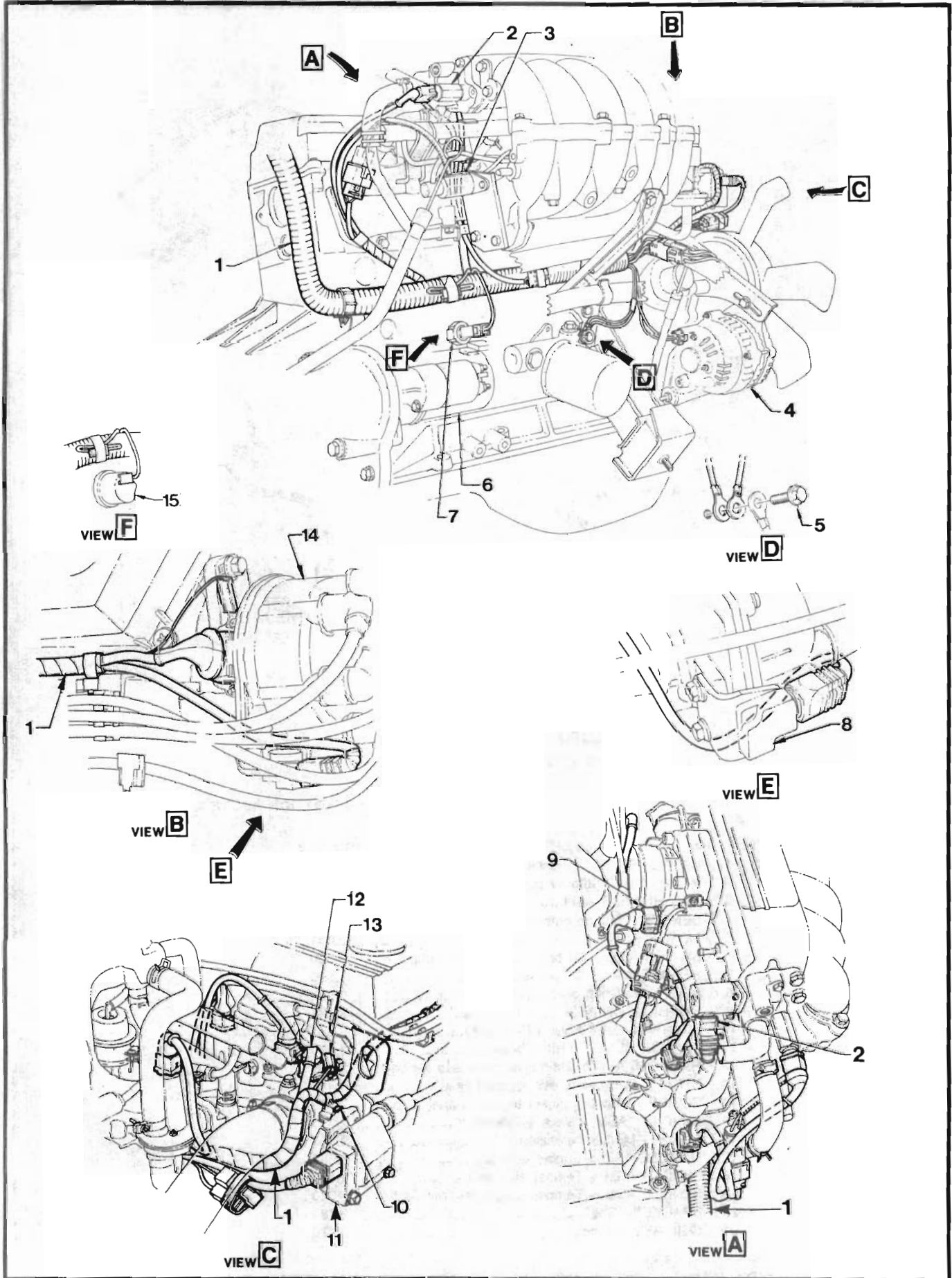
VIEW **E**

VIEW **E**

ENGINE HARNESS
2.0 LITRE ENGINE
VL SERIES

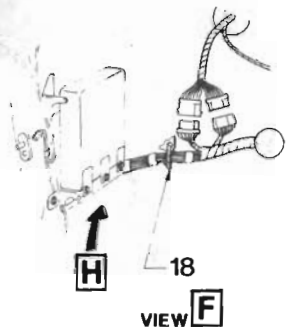
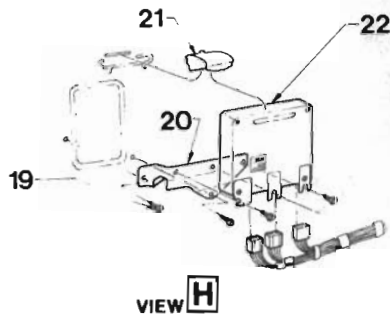
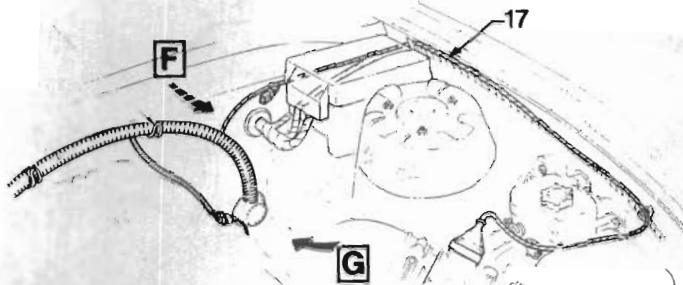
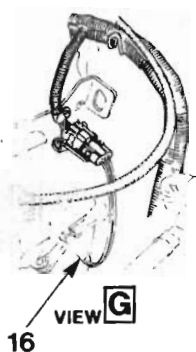
ILLUSTRATION ABOVE & OPPOSITE

REF. NO.	PART NAME	GROUP
1	HARNESS ASM. - Engine	2.525
2	VALVE ASM. - Idle air adjusting	3.318
3	ALTERNATOR ASM.	2.275
4	SENSOR - Engine detonation.....	2.383
5	MOTOR ASM. - Starter.....	2.041
6	SWITCH ASM. - Oil pressure warning lamp.....	1.800
7	SENDER ASM. - Oil pressure gauge	1.800
8	BOLT - Mounting bracket to engine	0.002M
9	DISTRIBUTOR ASM.	2.631
10	CONTROL UNIT ASM. - Distributor.....	2.383
11	SENSOR ASM. - Throttle body	3.335
12	HARNESS ASM. - Main wiring harness & body..	2.480
13	STRAP - Harness to evapourator case.....	2.483
14	SCREW - Module bracket to dash panel	2.383
15	BRACKET ASM. - Module mounting	2.383
16	CLAMP - Module retension	2.383
17	MODULE ASM. - Engine control	2.383
18	SENDER ASM. - Tempertaure gauge	1.150
19	SENDER ASM. - Temperature, Fuel flow control	3.320
20	BRACKET - Coil.....	2.183
21	COIL ASM. - Ignition	2.170





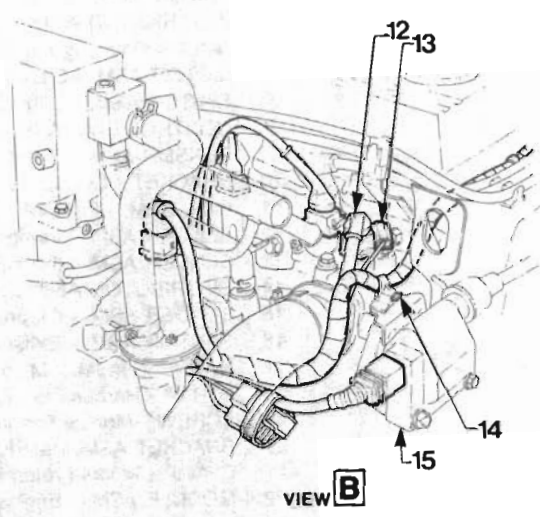
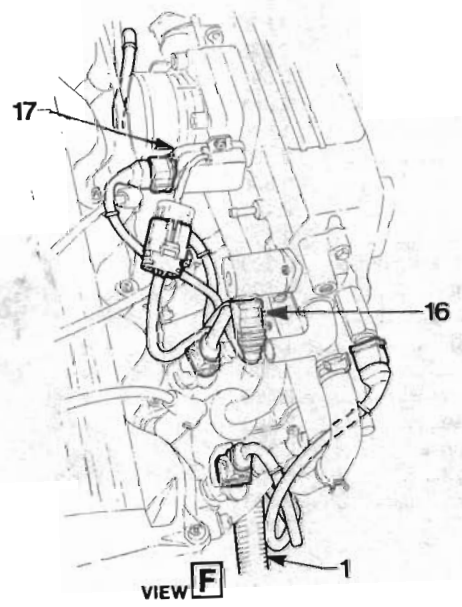
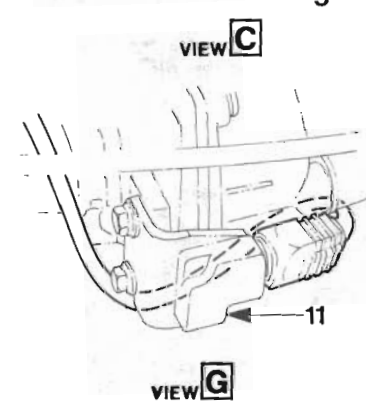
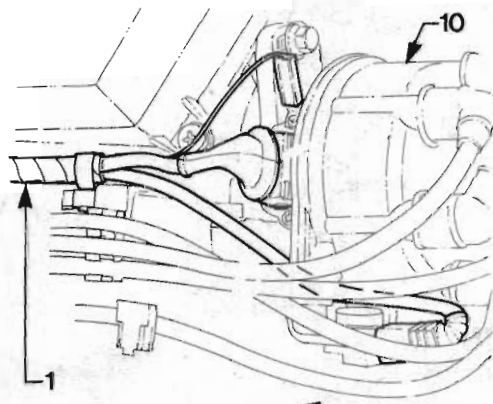
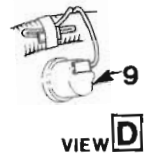
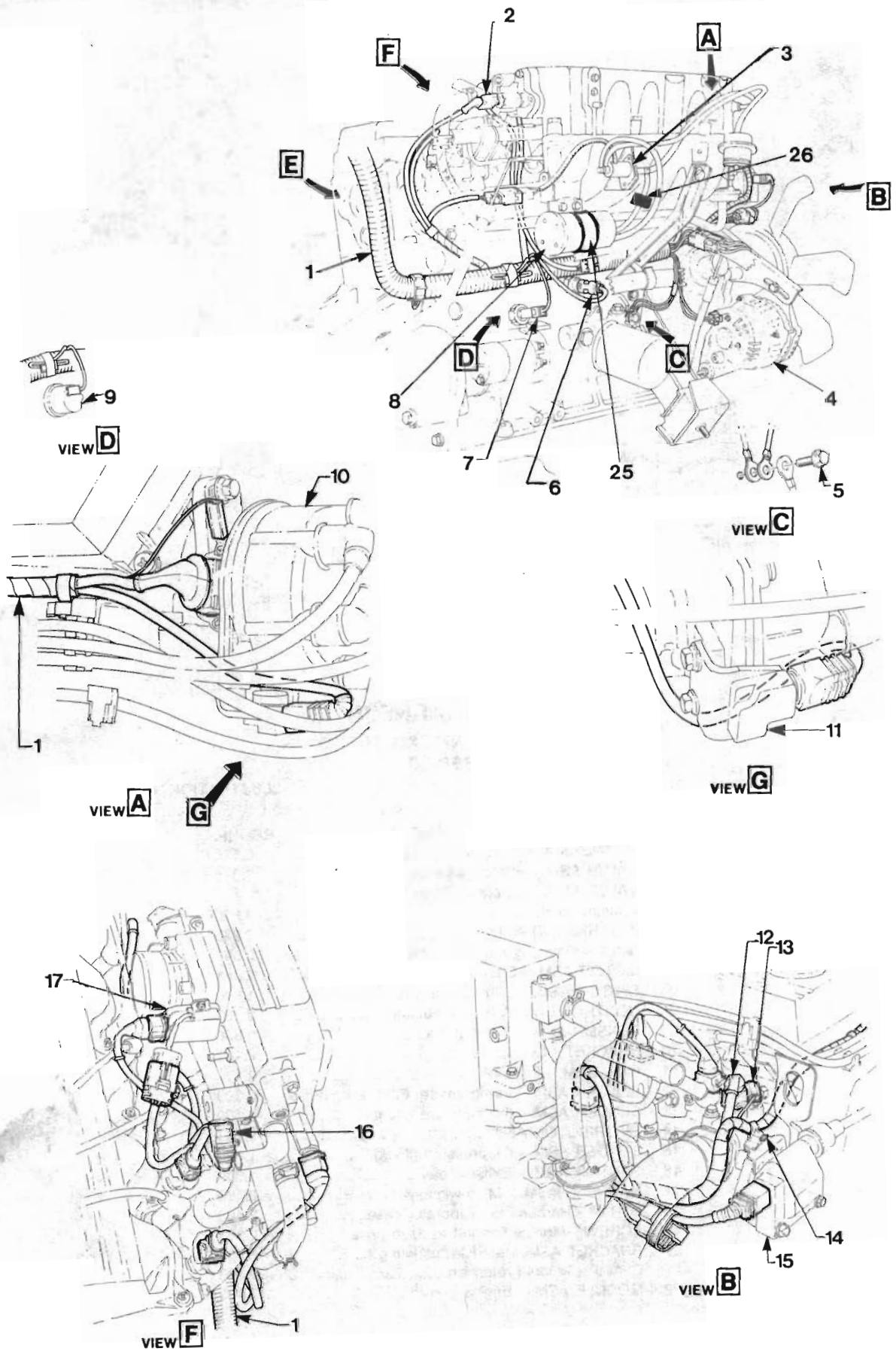
"V" SERIES PARTS CATALOGUE



ENGINE HARNESS 3.0 LITRE ENGINE EXC. TURBO. VL SERIES

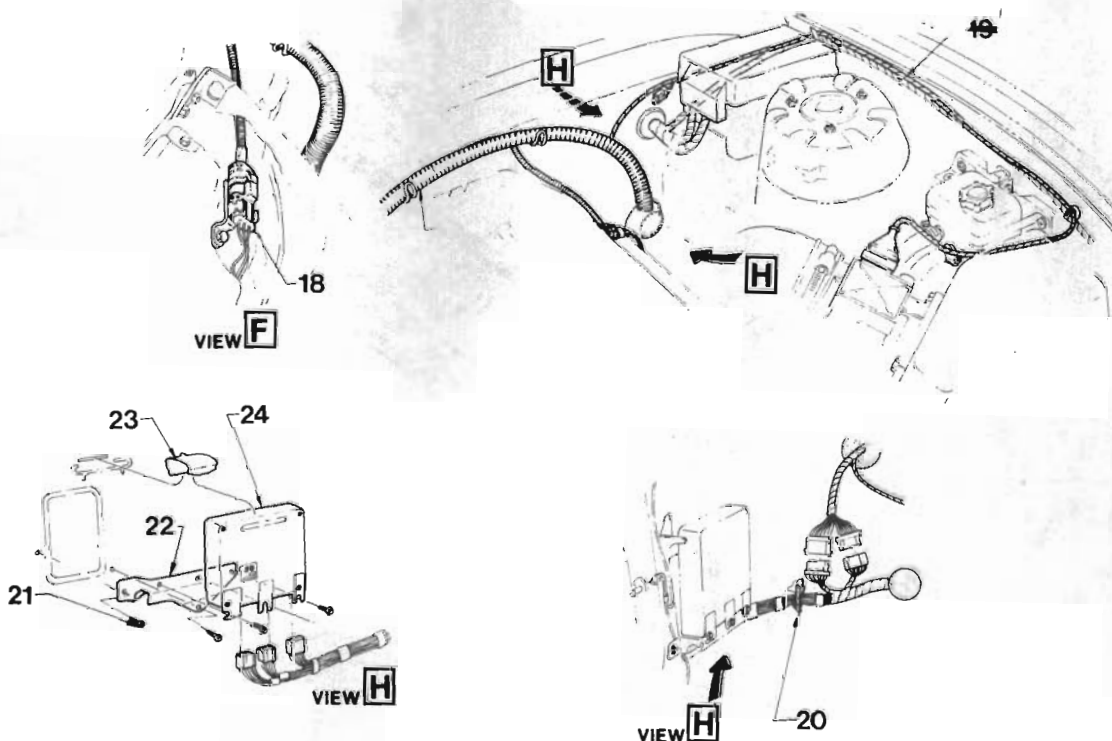
ILLUSTRATION ABOVE & OPPOSITE

REF. NO.	PART NAME	GROUP
1	HARNESS ASM. - Engine	2.525
2	VALVE ASM. - Idle air adjusting	3.318
3	VALVE ASM. - Solenoid, Pressure regulator vacuum relief	3.320
4	ALTERNATOR ASM.	2.275
5	BOLT - Mounting bracket to engine	0.002M
6	MOTOR ASM. - Starter	2.041
7	SWITCH ASM. - Oil pressure warning lamp	1.800
8	CONTROL UNIT ASM. - Distributor	2.383
9	SENSOR ASM. - Throttle body	3.335
10	BRACKET - Coil	2.183
11	COIL ASM. - Ignition	2.170
12	SENDER ASM. - Temperature, Fuel flow control	3.320
13	SENDER ASM. - Temperature gauge	1.150
14	DISTRIBUTOR ASM.	2.361
15	SENDER ASM. - Oil pressure gauge	1.800
16	SENSOR ASM. - Exhaust gas	3.685
17	HARNESS ASM. - Main wiring & body	2.480
18	STRAP - Harness to evaporator case	2.483
19	SCREW - Module bracket to dash panel	2.383
20	BRACKET ASM. - Module mounting	2.383
21	CLAMP - Module retention	2.383
22	MODULE ASM. - Engine control	2.383





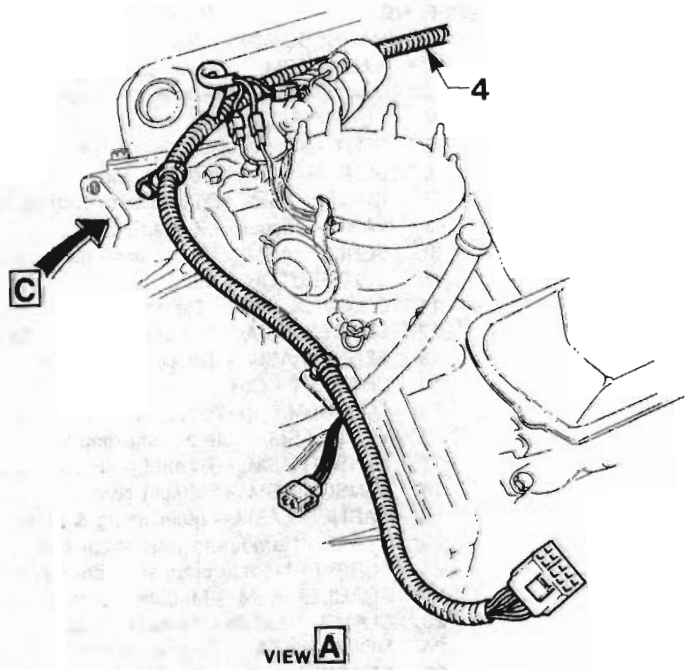
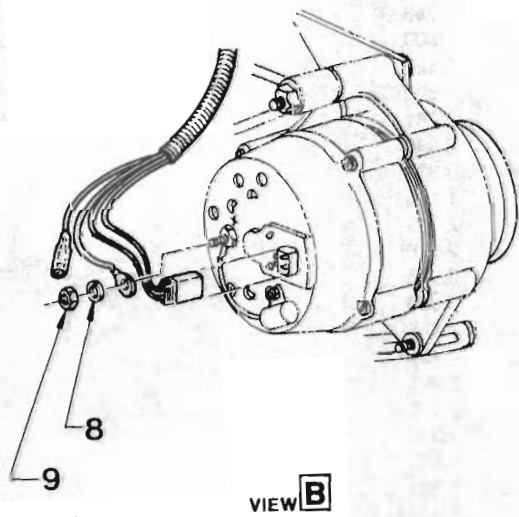
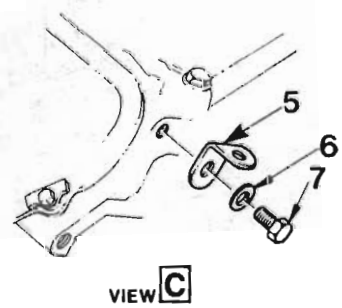
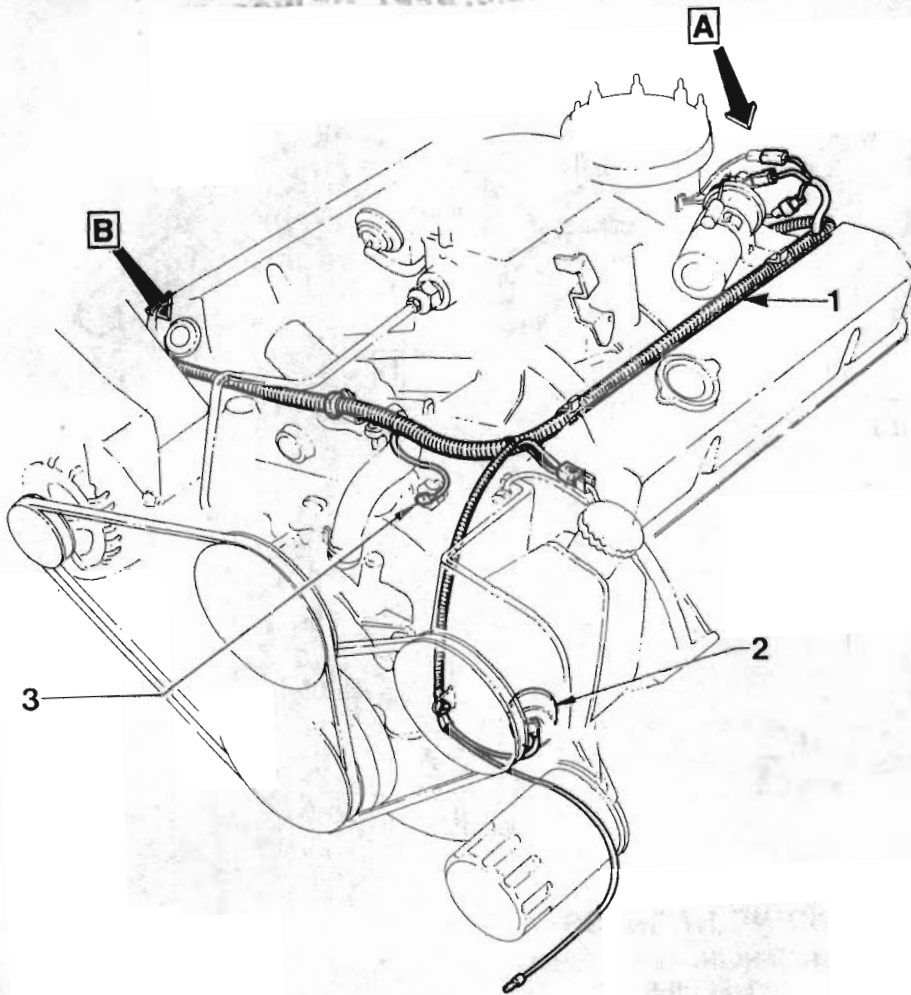
"V" SERIES PARTS CATALOGUE



ENGINE HARNESS 3.0 LITRE ENGINE WITH TURBO VL SERIES

ILLUSTRATION ABOVE & OPPOSITE

REF. NO.	PART NAME	GROUP
1	HARNESS ASM. - Engine	2.525
2	VALVE ASM. - Idle air adjusting	3.318
3	VALVE ASM. - Pressure regulator vacuum relief	3.320
4	ALTERNATOR ASM.	2.275
5	BOLT - Mounting bracket to engine	0.002M
6	SENSOR - Engine detonation	2.383
7	SWITCH ASM. - Oil pressure warning lamp	1.800
8	TANK - Vacuum - P.R.V.R.	3.320
9	SENDER ASM. - Oil pressure gauge	1.800
10	DISTRIBUTOR ASM.	2.361
11	CONTROL ASM. - Distributor	2.383
12	SENDER ASM. - Temperature, Fuel flow control	3.320
13	SENDER ASM. - Temperature gauge	1.150
14	BRACKET - Coil	2.183
15	COIL ASM. - Ignition	2.170
16	VALVE ASM. - Idle air adjusting	3.318
17	SENSOR ASM. - Throttle body	3.335
18	SENSOR ASM. - Exhaust gas	3.685
19	HARNESS ASM. - Main wiring & body	2.480
20	STRAP - Harness to evaporator case	2.483
21	SCREW - Module bracket to dash panel	2.383
22	BRACKET ASM. - Module mounting	2.383
23	CLAMP - Module retension	2.383
24	MODULE ASM. - Engine control	2.383
25	BRACKET - Vacuum tank	3.320
26	VALVE ASM. - Vacuum check	3.320

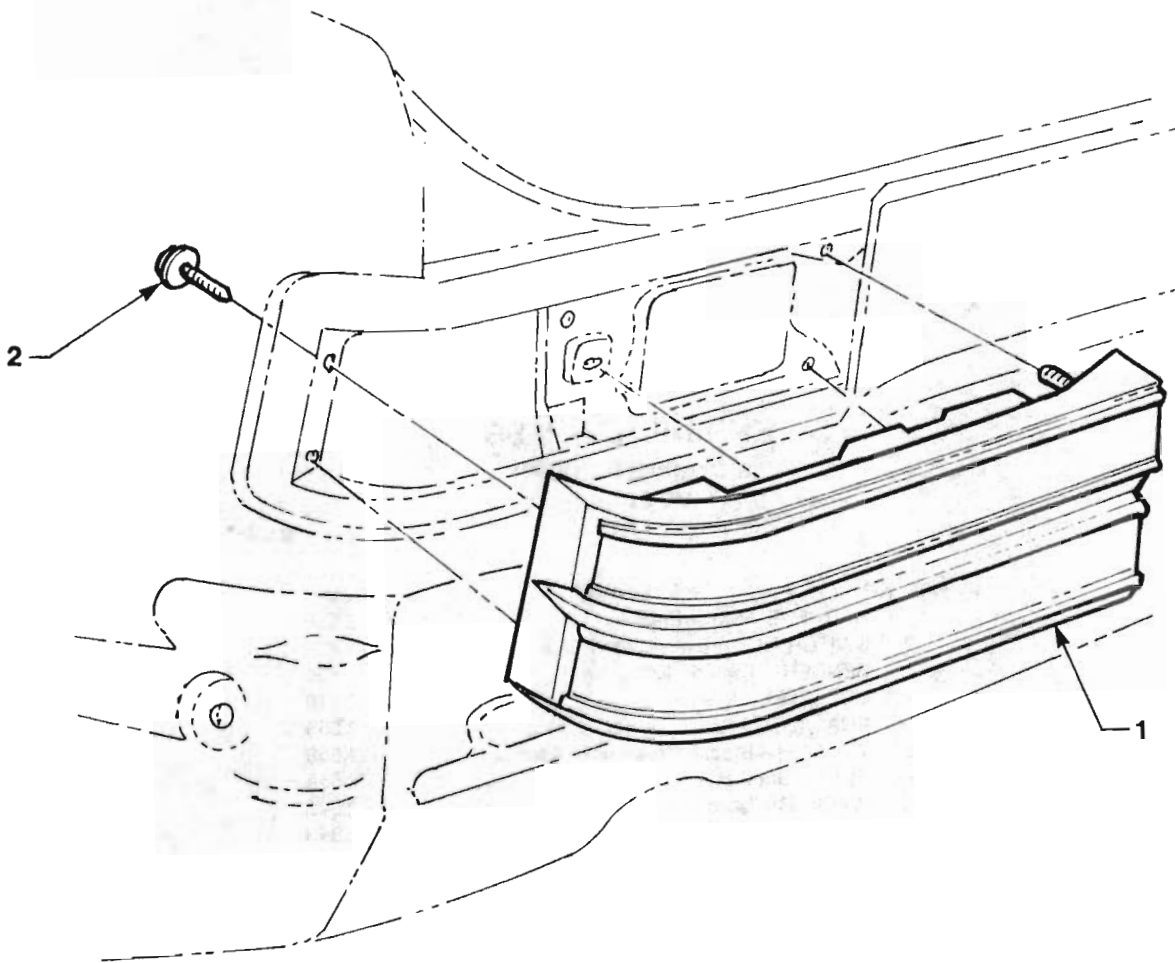




**ENGINE HARNESS
8 CYLINDER ENGINE
VL SERIES**

ILLUSTRATION OPPOSITE

REF. NO.	PART NAME	GROUP
1	HARNESS ASM. - Engine	2.525
2	SWITCH - Oil pressure warning	1.800
3	SENDER - Temperature gauge	1.150
4	COIL ASM. - Ignition	2.170
5	BRACKET - Harness	2.559
6	WASHER - Bracket to cylinder head.....	2.559
7	BOLT - Bracket to cylinder head.....	2.559
8	WASHER - Lead to alternator	2.343
9	NUT - Lead to alternator.....	2.343

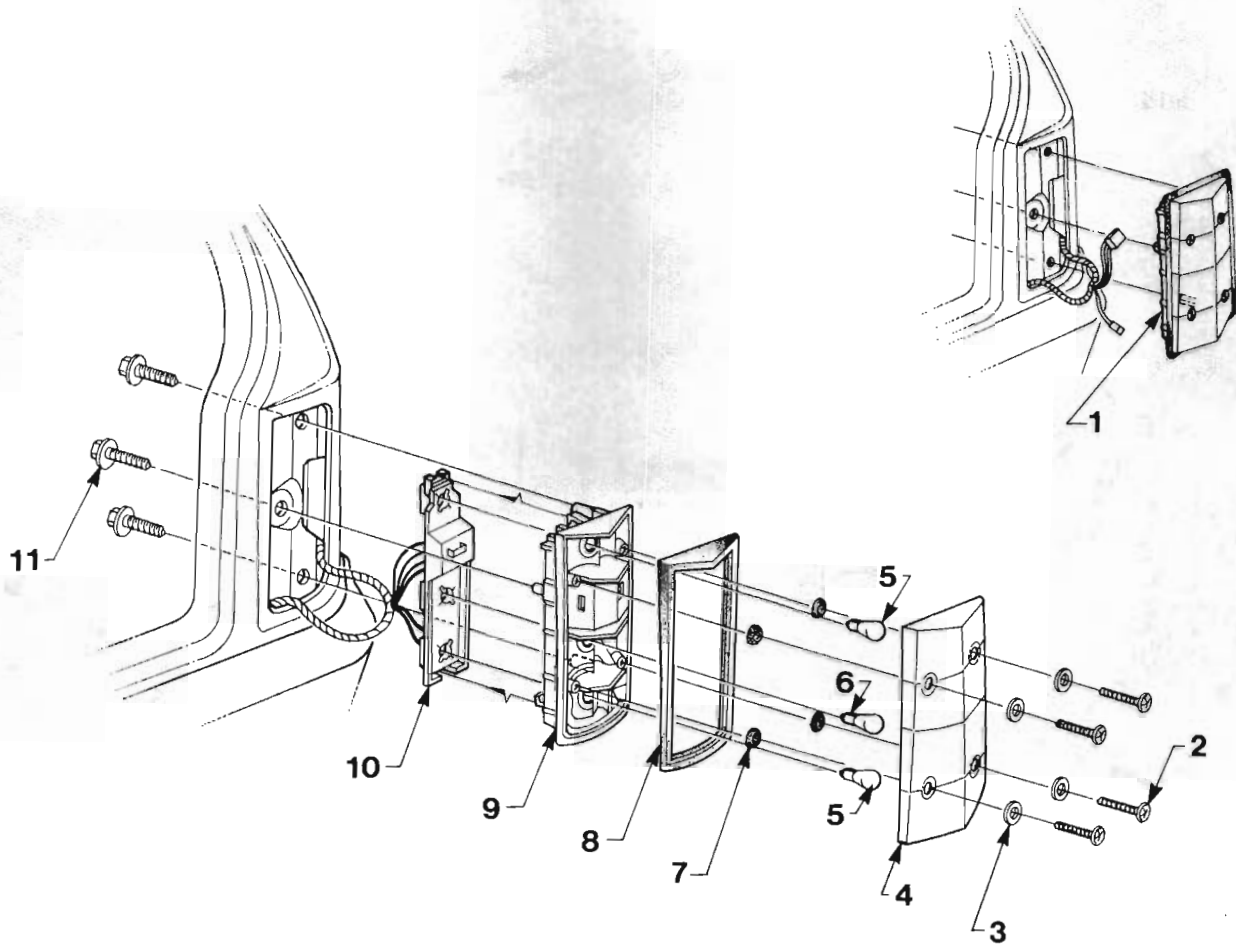


**TAIL LAMP
SEDAN
VL SERIES**

REF. NO.	PART NAME	GROUP
1	LAMP ASM. - Tail, stop & turn signal lamp.....	2.679
2	SCREW - Tail lamp attaching.....	2.679

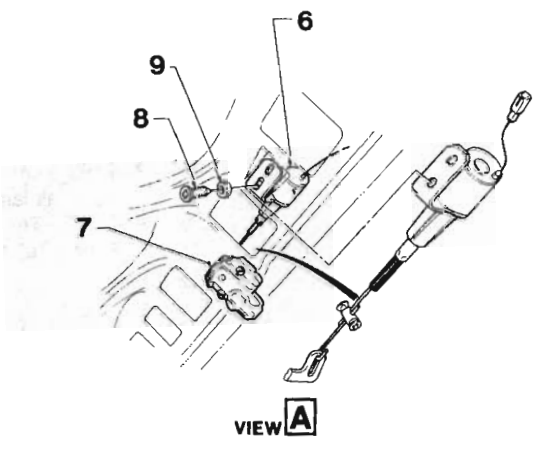
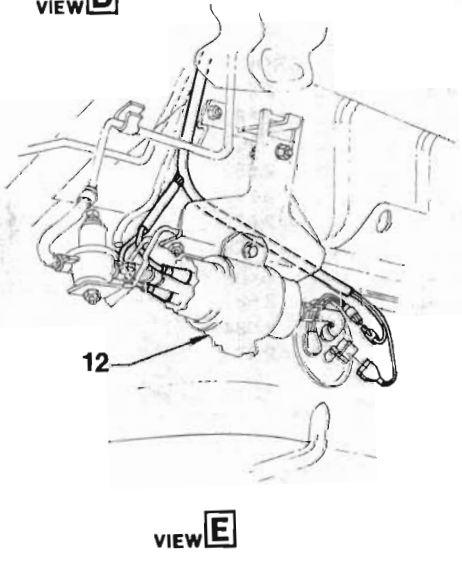
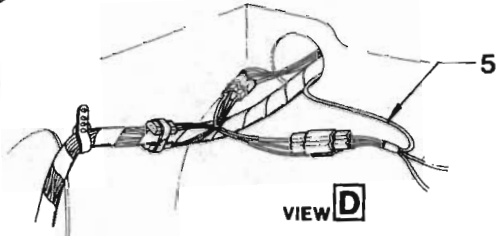
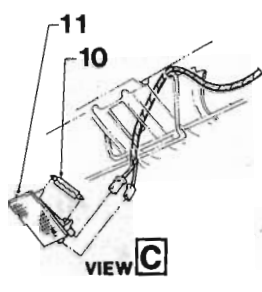
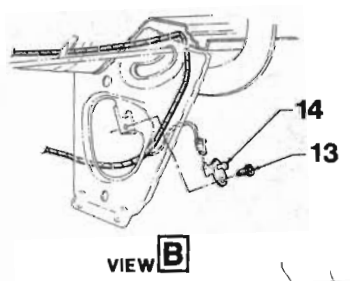
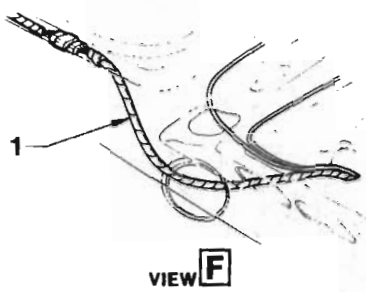
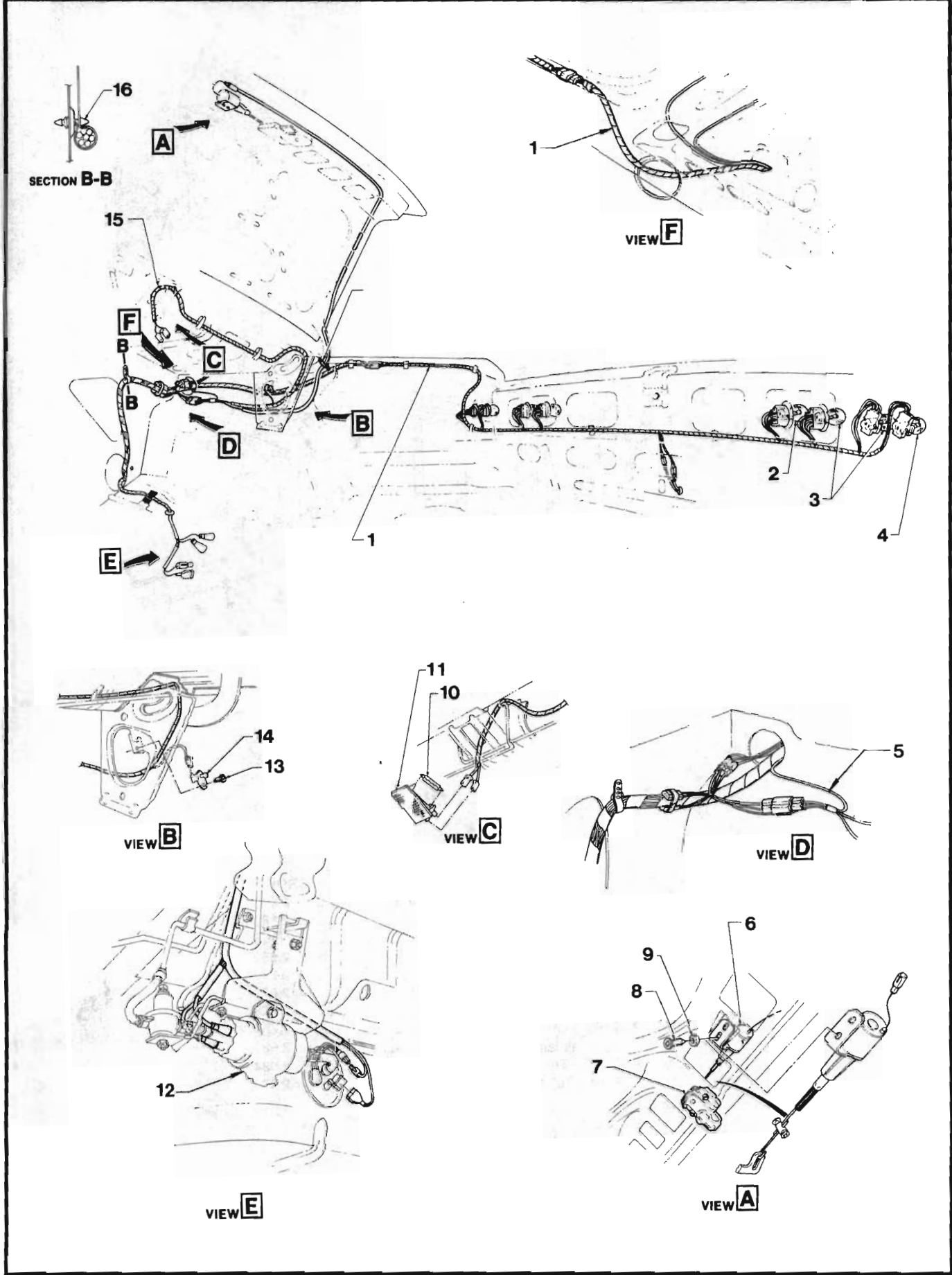


"V" SERIES PARTS CATALOGUE



**TAIL LAMP
WAGON
VL SERIES**

REF. NO.	PART NAME	GROUP
1	LAMP ASM. - Tail, stop & turn signal.....	2.679
2	SCREW - Lens retaining.....	2.688
3	WASHER - Lens sealing.....	NSS
4	LENS - Tail lamp.....	2.682
5	BULB - Tail & stop lamp.....	2.679
6	BULB - Turn signal lamp.....	2.679
7	CAP.....	NSS
8	GASKET - Lens.....	2.684
9	BASE - Tail lamp.....	2.689
10	SOCKET - Tail lamp bulb.....	2.694
11	SCREW - Tail lamp attaching.....	2.679



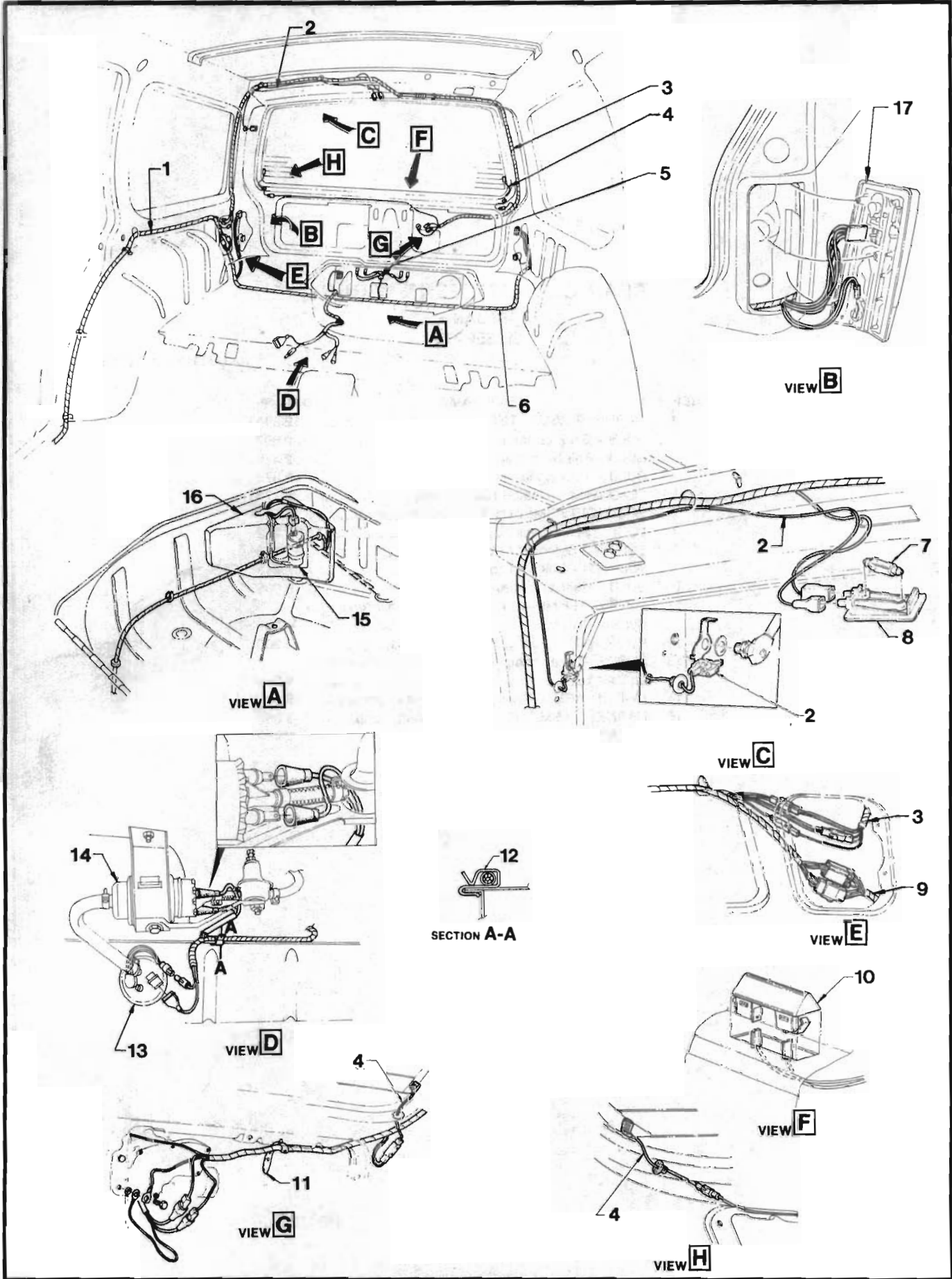


REAR COMPARTMENT WIRING

**SEDAN
VL SERIES**

ILLUSTRATION OPPOSITE

REF. NO.	PART NAME	GROUP
1	HARNES ASM. - Tail lamp.....	2.694
2	BULB - Back up lamp.....	2.697
3	BULB - Tail & stop lamp.....	2.679
4	BULB - Turn signal lamp.....	2.679
5	LEAD ASM. - Heated rear window.....	9.778
6	SOLENOID ASM. - Deck lid remote control.....	12.243
7	LOCK ASM. - Deck lid.....	12.242
8	SCREW - Solenoid to deck lid.....	12.243
9	WASHER - Solenoid to deck lid.....	12.243
10	BULB - Rear compartment illumination.....	9.988
11	LENS & TERMINAL ASM. - Rear compartment illumination.....	9.988
12	PUMP ASM. - Fuel.....	3.900
13	SCREW - Rear compartment illumination switch attaching.....	9.988
14	SWITCH ASM. - Rear compartment illumination.	9.988
15	HARNES ASM. - Rear compartment lamp.....	9.988
16	STRAP - Main wiring harness.....	2.483



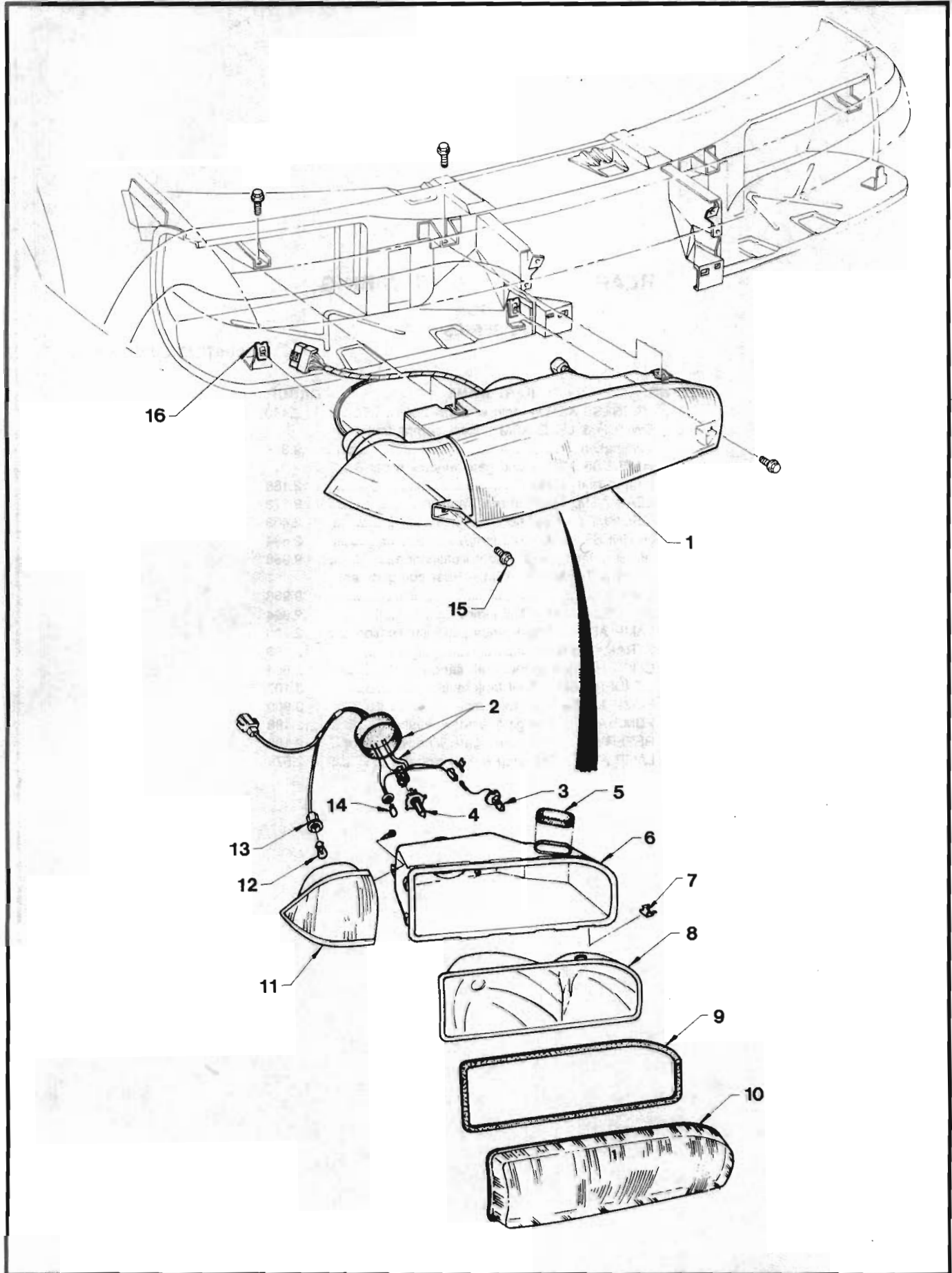


REAR COMPARTMENT WIRING

**WAGON
VL SERIES**

ILLUSTRATION OPPOSITE

REF. NO.	PART NAME	GROUP
1	HARNESS ASM. - Main wiring & body	2.480
2	SWITCH & LEAD ASM. - Rear compartment illumination	9.988
3	HARNESS ASM. - End gate window wiper & heated rear window	12.188
4	LEAD ASM. - Heated rear window	9.778
5	GROMMET - Rear floor pan	2.483
6	HARNESS ASM. - Tail lamp	2.694
7	BULB - Rear compartment illumination	9.988
8	LENS & TERMINAL ASM. - Rear compartment illumination	9.988
9	HARNESS ASM. - Tail lamp	2.694
10	LAMP ASM. - Rear licence plate illumination	2.700
11	STRAP - Harness	12.188
12	CLIP - Harness to fuel tank flange	2.694
13	SENDER ASM. - Fuel tank level	3.107
14	PUMP ASM. - Fuel, External	3.900
15	PUMP ASM. - End gate window washer	12.188
16	RESERVOIR ASM. - End gate window washer	12.188
17	LAMP ASM. - Tail, stop & turn signal	2.679

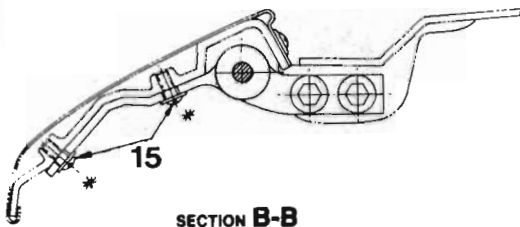
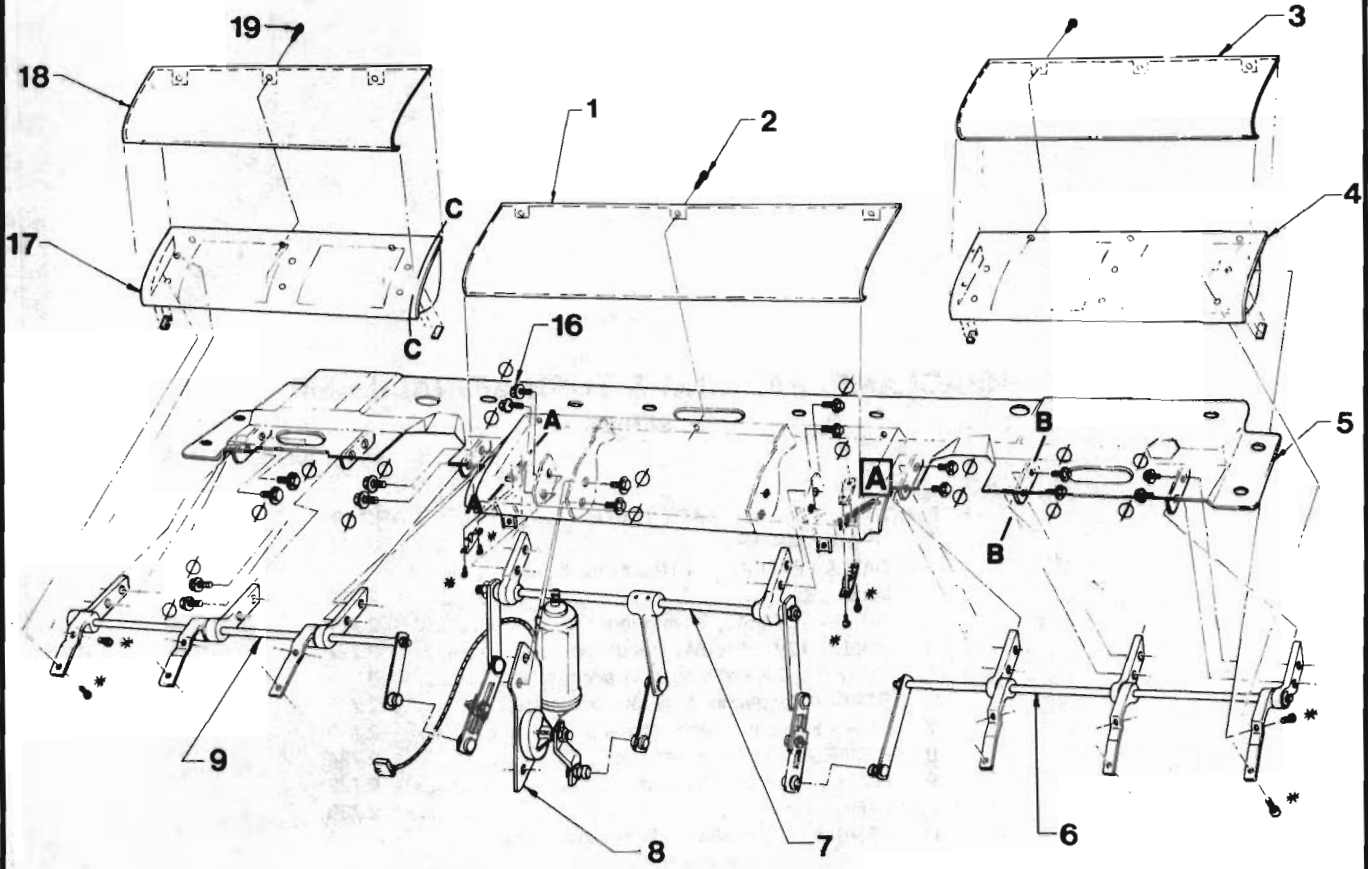




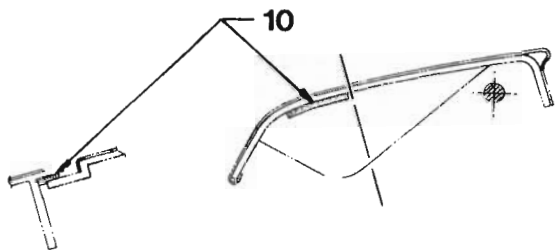
**HEADLAMP, PARKING & TURN SIGNAL LAMP
VL SERIES**

ILLUSTRATION OPPOSITE

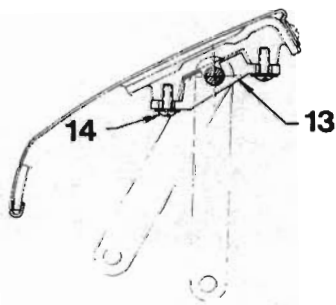
REF. NO.	PART NAME	GROUP
1	HEADLAMP ASM.....	2.725
2	CAP & LEAD ASM. - Headlamp & turn signal lamp.....	2.722
3	BULB - 12V,55W, Driving lamp.....	2.727
4	BULB - 12V, 55/60W, Headlamp.....	2.727
5	COVER - Driving lamp bulb access.....	2.722
6	BODY - Headlamp, (Includes adjusters).....	2.726
7	CLIP - Headlamp lens retaining.....	2.730
8	REFLECTOR - Headlamp.....	2.734
9	GASKET - Headlamp lens.....	2.722
10	LENS - Headlamp.....	2.730
11	LENS & BODY ASM. - Turn signal lamp.....	2.589
12	BULB - Turn signal lamp.....	2.585
13	SOCKET - Turn signal lamp bulb.....	2.596
14	BULB - Parking lamp.....	2.585
15	SCREW - Headlamp attaching.....	2.726
16	NUT - Headlamp attaching.....	2.726



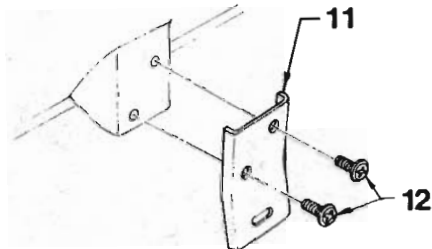
SECTION B-B



SECTION C-C



SECTION A-A



VIEW A

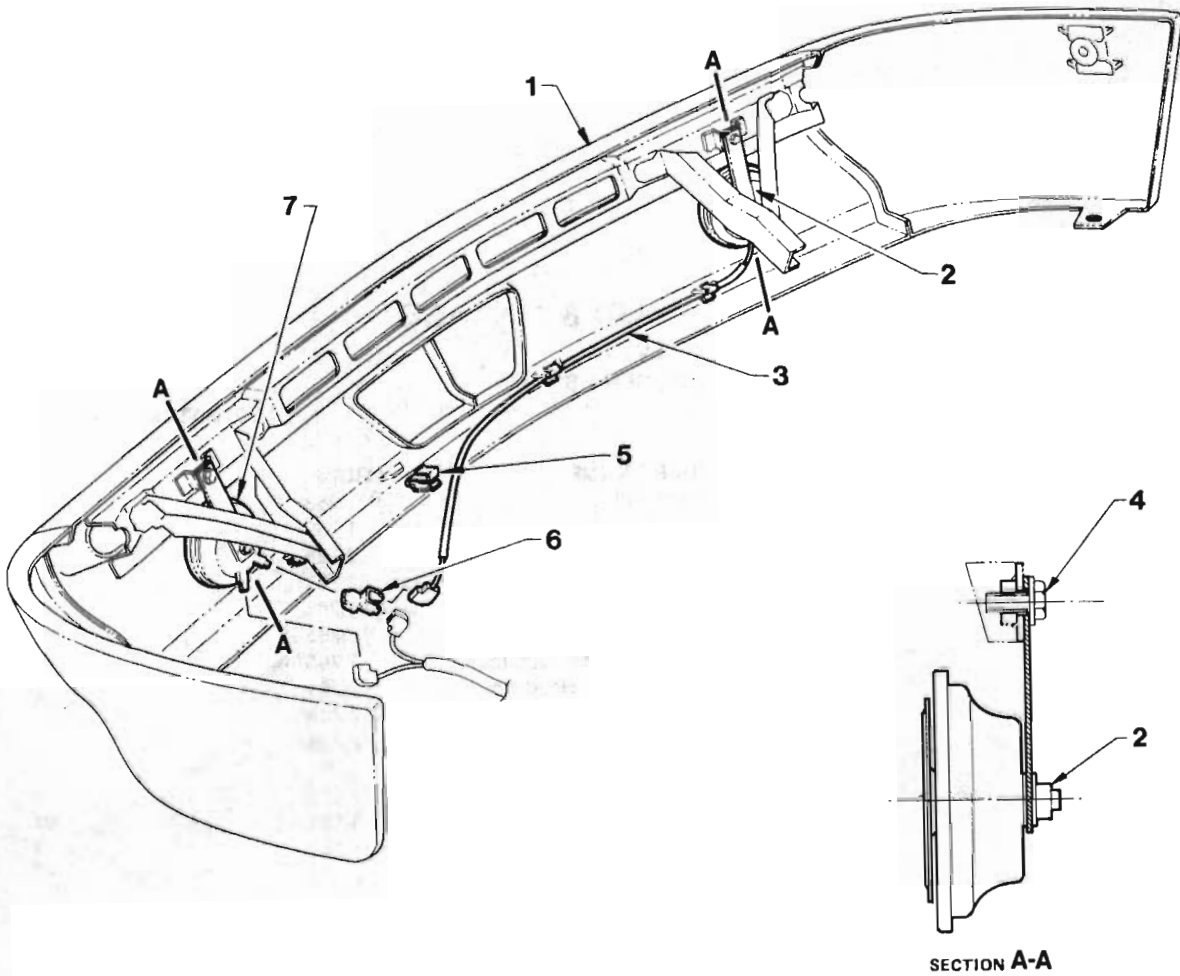


HEADLAMP LID & LINKAGE

**8VX19
VL SERIES**

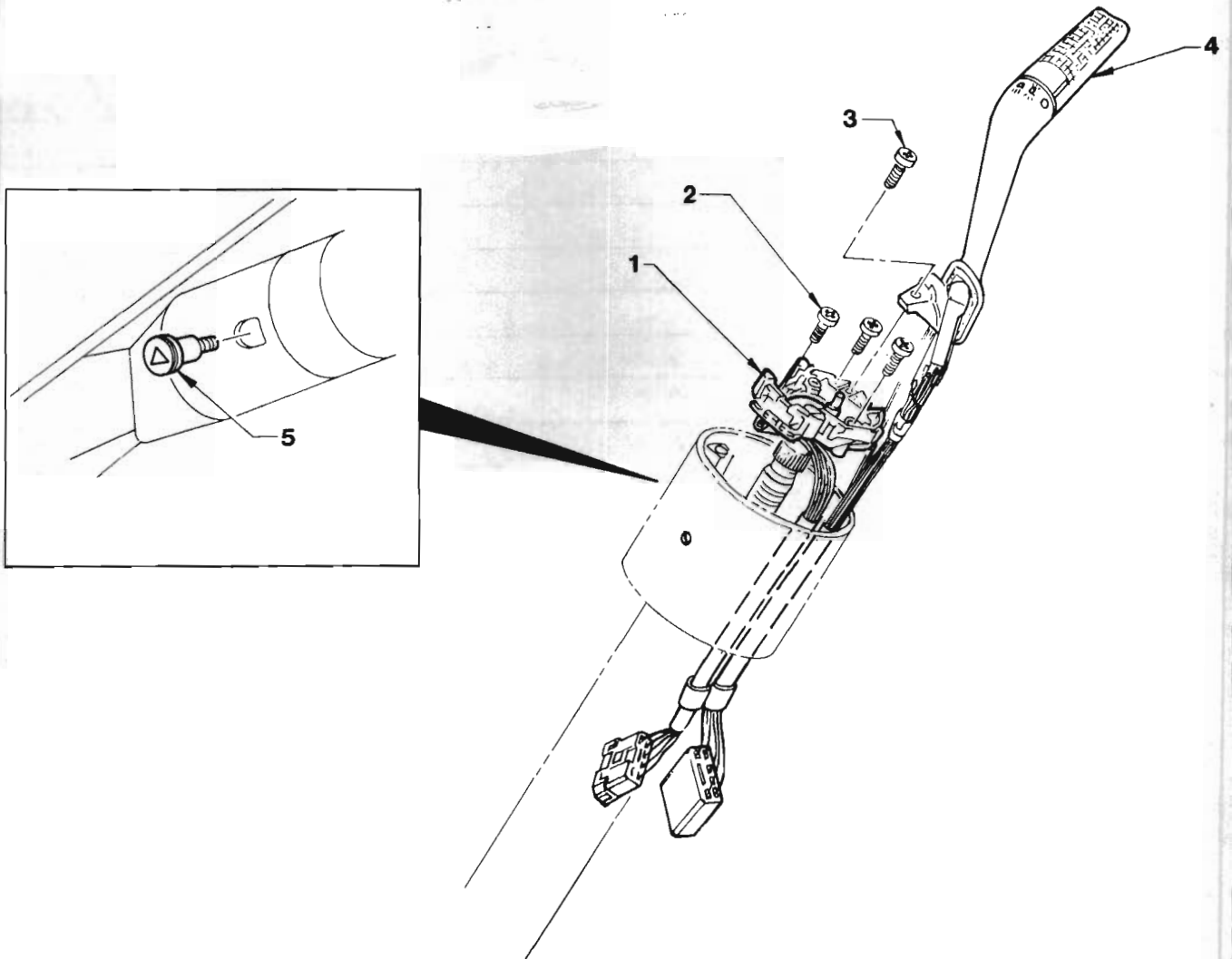
ILLUSTRATION OPPOSITE

REF. NO.	PART NAME	GROUP
1	PANEL - Centre front end.....	1.263
2	BOLT - Centre panel to front end.....	1.263
3	PANEL - Headlamp lid outer, LH.....	2.728
4	PANEL - Headlamp lid inner, LH.....	2.728
5	PANEL - Front end reinforcement.....	1.263
6	LINKAGE ASM. - Headlamp lid, LH.....	2.765
7	LINKAGE ASM. - Headlamp lid, Centre.....	2.765
8	MOTOR & BRACKET ASM. - Headlamp lid.....	2.760
9	LINKAGE ASM. - Headlamp lid, RH.....	2.765
10	BUMPER - Headlamp lid to reinforcement.....	2.728
11	BRACKET - Front end panel mounting.....	1.263
12	BOLT - Bracket to front end panel.....	1.263
13	CLAMP - Front end panel retaining.....	1.263
14	BOLT - Clamp to front end panel.....	1.263
15	SCREW - Linkage to front panel.....	2.760
16	SCREW - Lid linkage to front end panel.....	2.760
17	PANEL - Headlamp lid inner,RH.....	2.728
18	PANEL - Headlamp lid, RH.....	2.728
19	SCREW - Inner headlamp lid to outer lid.....	2.728



**HORNS
VL SERIES**

REF. NO.	PART NAME	GROUP
1	BUMPER BAR FACIA - Front.....	7.831
2	HORN & BRACKET ASM. - Low note.....	2.810
3	LEAD ASM. - Low note horn.....	2.815
4	BOLT & WASHER - Horn mounting.....	2.812
5	CLIP - Low note horn lead asm. to bumper facia	2.815
6	ADAPTOR - Low note horn lead	2.815
7	HORN & BRACKET ASM. - High note	2.810



**STEERING COLUMN SWITCH & HARNESS
VL SERIES**

REF. NO.	PART NAME	GROUP
1	SWITCH ASM. - Turn signal lamp & hazard warning	2.895
2	SCREW - Turn signal lamp & hazard switch to housing	2.895
3	SCREW - Turn signal lamp & hazard switch to lever	2.895
4	SWITCH ASM. - Headlamp & parking lamp	2.485
5	KNOB - Hazard warning switch	2.895

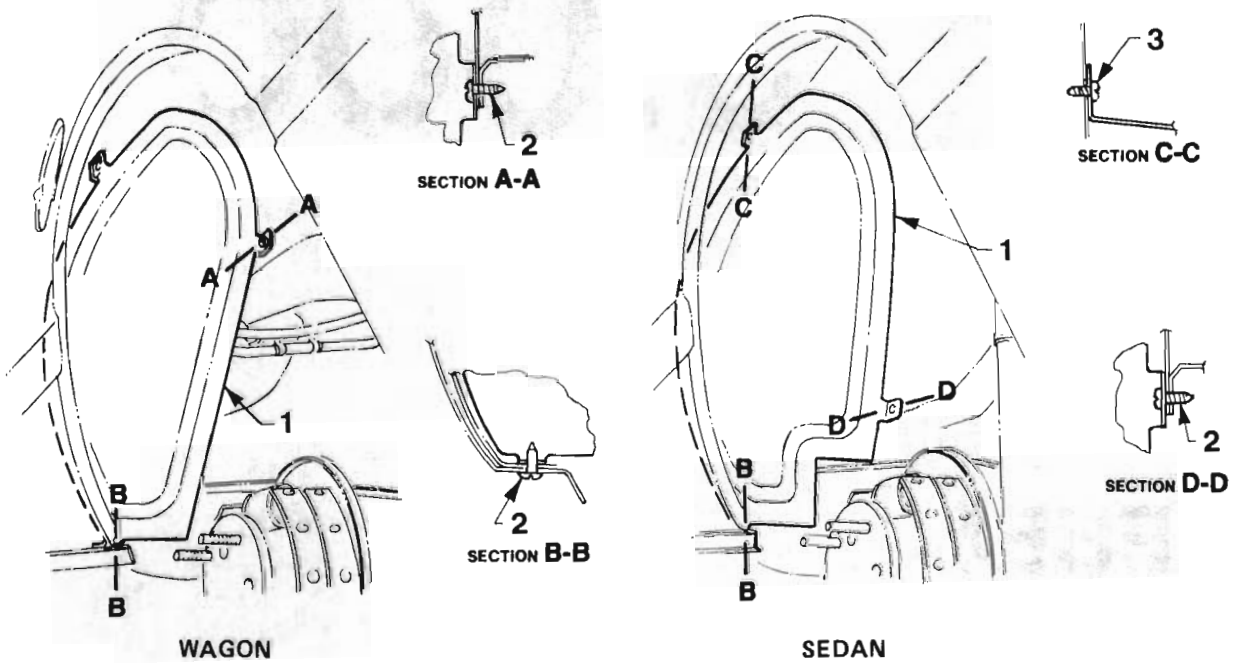


"V" SERIES PARTS CATALOGUE

GROUP

3.000

**FUEL
EXHAUST
CARBURETION**

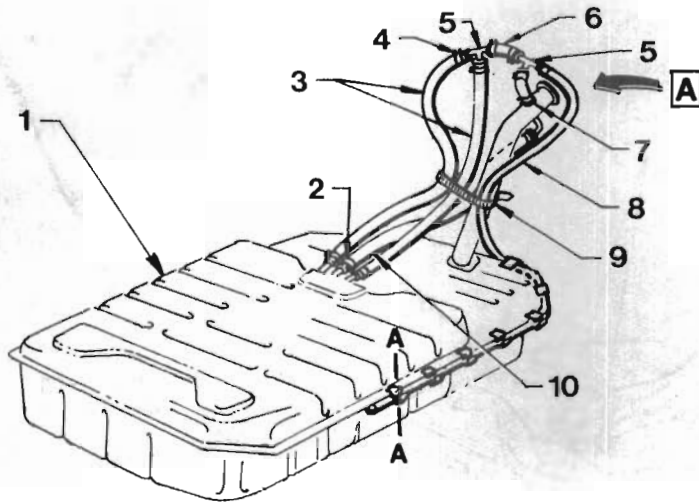


**FUEL TANK FILLER STONE GUARD
VL SERIES**

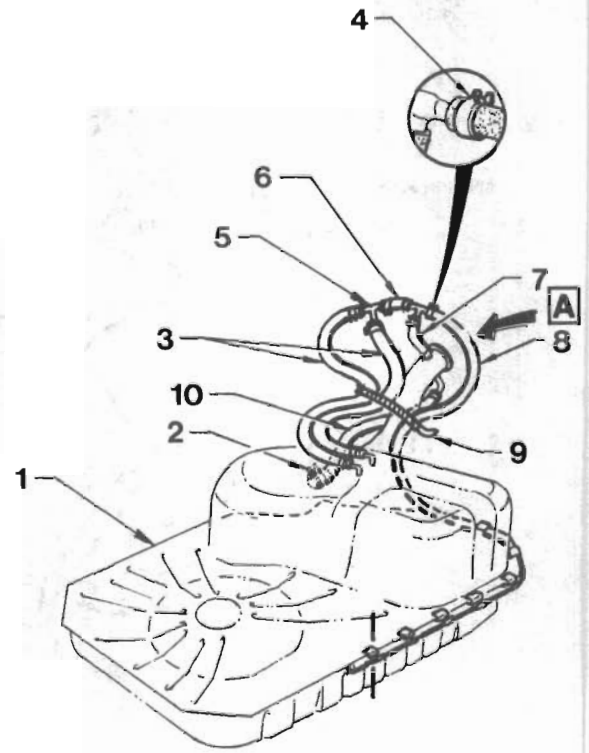
REF. NO.	PART NAME	GROUP
1	GUARD - Fuel filler stone	3.003
2	SCREW - Guard to body	3.003
3	SCREW - Guard to quarter panel inner	3.003



"V" SERIES PARTS CATALOGUE



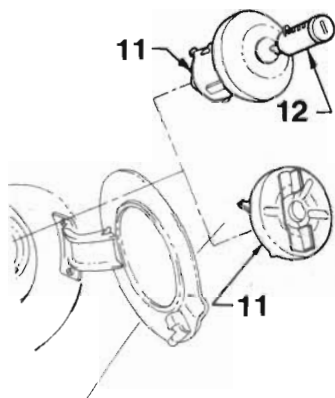
SEDAN



WAGON



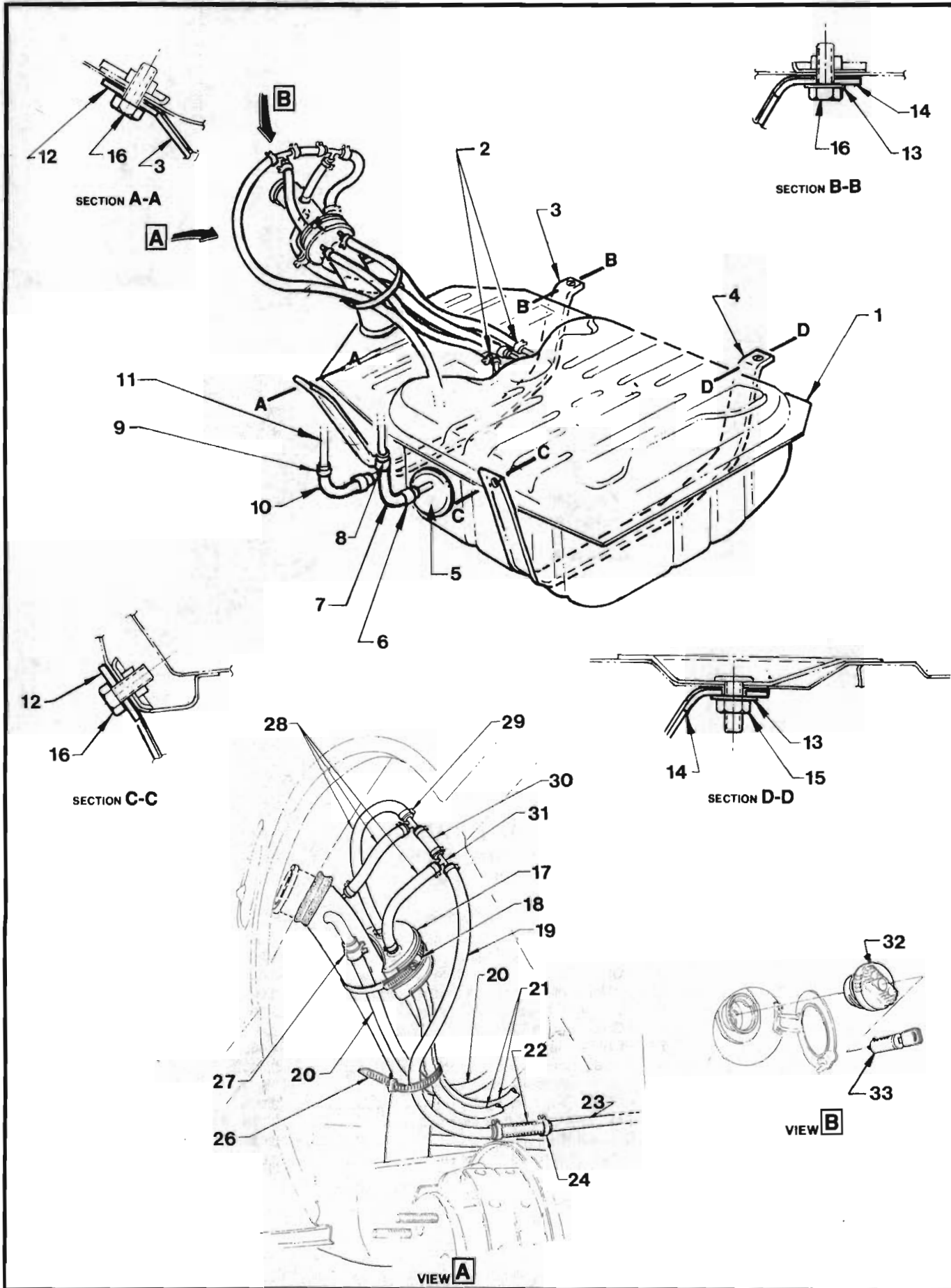
SECTION A-A



VIEW A

**FUEL TANK
2.0 LITRE ENGINE
VL SERIES**

REF. NO.	PART NAME	GROUP
1	TANK ASM. - Fuel.....	3.001
2	CLAMP - Filler vent hose.....	3.003
3	HOSE - Tank to filler neck tee.....	3.003
4	CLAMP - Filler neck vent hoses.....	3.003
5	TEE - Vent hoses to filler neck.....	3.003
6	HOSE - Tee to tee.....	3.003
7	HOSE - Filler neck to tee.....	3.003
8	HOSE - Filler neck tee vent.....	3.003
9	STRAP - Vapour hoses to filler neck.....	3.003
10	HOSE - Filler neck vent.....	3.003
11	CAP ASM. - Fuel tank filler.....	3.028
12	CYLINDER - Fuel filler cap.....	3.028
13	CLIP - Vent hoses to fuel tank.....	3.003

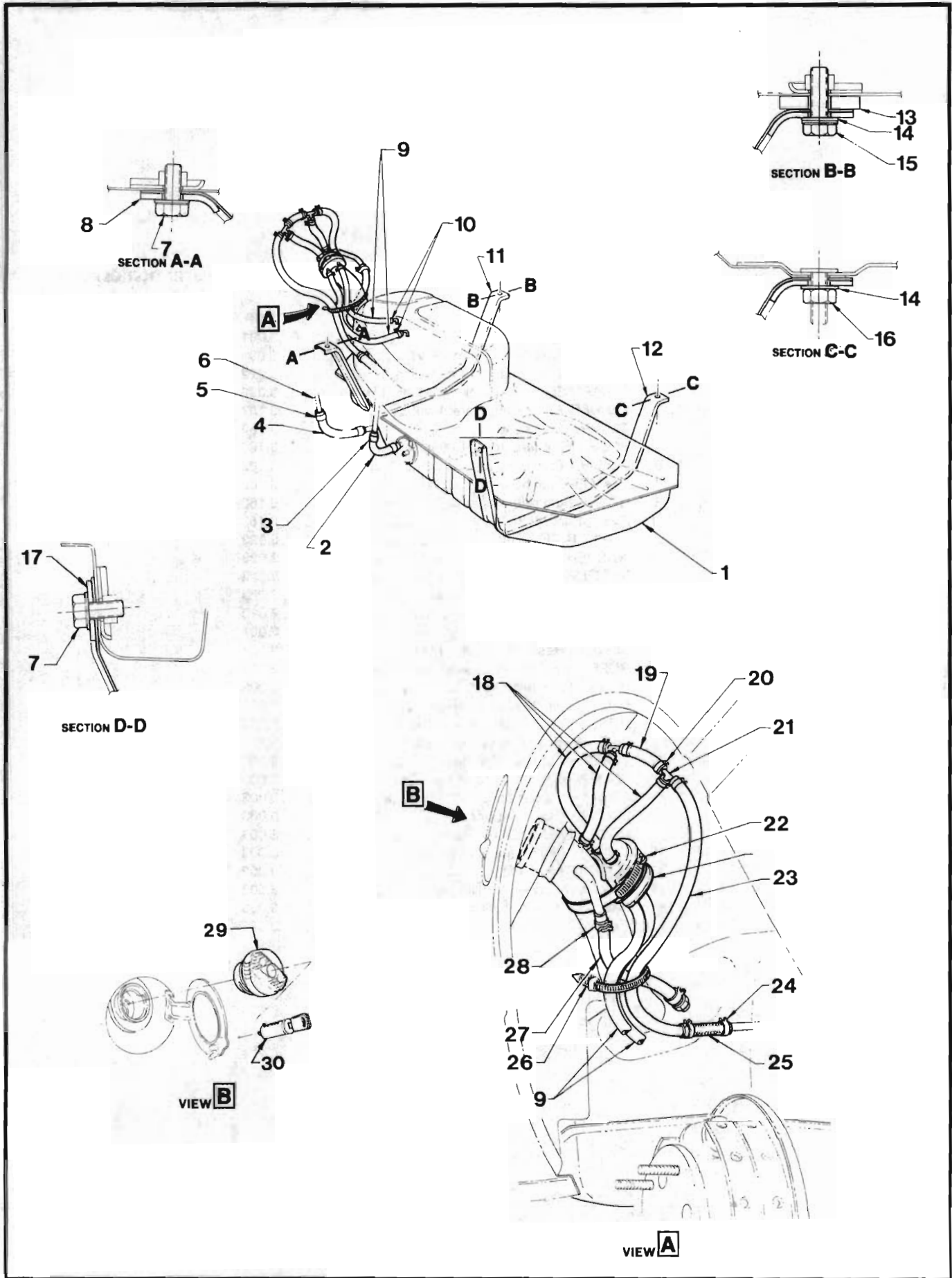




**FUEL TANK
SEDAN WITH 3.0 LITRE ENGINE
VL SERIES**

ILLUSTRATION OPPOSITE

REF. NO.	PART NAME	GROUP
1	TANK ASM. - Fuel.....	3.001
2	CLAMP - Fuel tank filler neck vent hoses.....	3.003
3	STRAP ASM. - Fuel tank mounting, RH.....	3.022
4	STRAP ASM. - Fuel tank mounting, LH.....	3.022
5	SENDER ASM. - Fuel tank level.....	3.107
6	CLAMP - Fuel hose.....	3.162
7	HOSE - Fuel tank to fuel pump.....	3.163
8	CLAMP - Fuel hose.....	3.162
9	CLAMP - Fuel hose.....	3.162
10	HOSE - Fuel return pipe to fuel tank.....	3.163
11	PIPE - Fuel return.....	3.163
12	WASHER - Fuel tank mounting.....	3.023
13	WASHER - Fuel tank strap to bracket.....	3.023
14	REINFORCEMENT - Fuel tank mounting.....	3.023
15	NUT - Fuel tank strap to bracket.....	3.023
16	SCREW - Fuel tank strap to frame.....	3.023
17	RESERVOIR - Fuel tank breather.....	3.001
18	CLAMP - Reservoir to filler neck.....	3.001
19	HOSE - Vent tee to canister pipe hose.....	3.003
20	HOSE - Filler neck vent.....	3.003
21	HOSE - Fuel tank to reservoir.....	3.003
22	HOSE - Canister pipe to vent hose.....	3.003
23	PIPE - Fuel tank to vapour canister.....	3.120
24	CLAMP - Canister pipe hose to canister pipe.....	3.003
25	CLAMP - Canister pipe to vent hose.....	3.003
26	STRAP - Vapour hoses to filler neck.....	3.003
27	CLAMP - Filler vent hose.....	3.003
28	HOSE - Filler neck to filler neck tee.....	3.003
29	CLAMP - Filler neck vent hoses.....	3.003
30	HOSE - Tee to tee.....	3.003
31	TEE - Vent hoses to filler neck.....	3.003
32	CAP ASM. - Fuel tank filler.....	3.028
33	CYLINDER - Lock.....	3.028

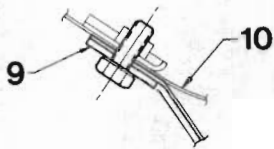




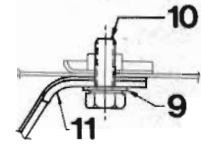
**FUEL TANK
WAGON WITH 3.0 LITRE ENGINE
VL SERIES**

ILLUSTRATION OPPOSITE

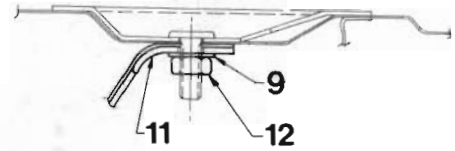
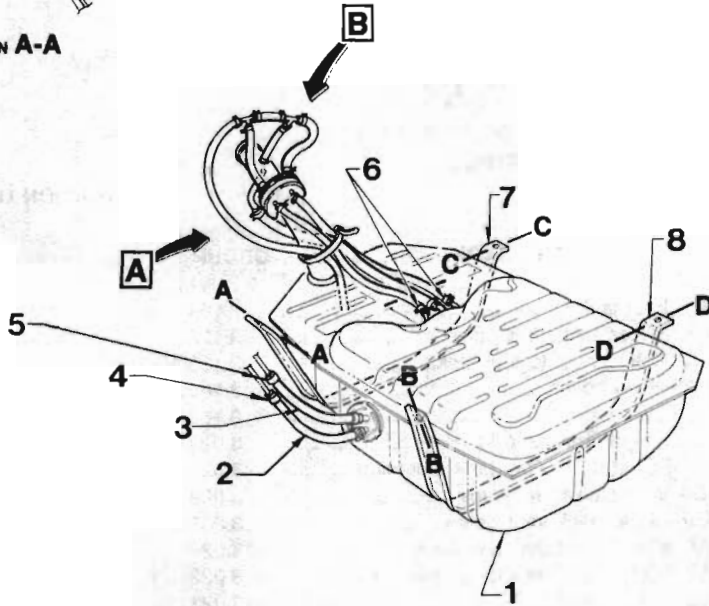
REF. NO.	PART NAME	GROUP
1	TANK ASM. - Fuel.....	3.001
2	HOSE - Fuel tank to pump	3.163
3	CLAMP - Hose to tank & pump	3.162
4	HOSE - Return pipe to fuel tank.....	3.163
5	CLAMP - Fuel hoses.....	3.162
6	PIPE - Fuel return.....	3.163
7	SCREW - Fuel tank strap to frame	3.023
8	REINFORCEMENT - Fuel tank mounting	3.023
9	HOSE - Vent pipe to reservoir	3.003
10	CLAMP - Filler neck vent hoses	3.003
11	STRAP ASM. - Fuel tank mounting, RH.....	3.022
12	STRAP ASM. - Fuel tank mounting, LH.....	3.022
13	SPACER - Fuel tank	3.023
14	WASHER - Fuel tank strap to bracket.....	3.023
15	SCREW - Fuel tank strap to frame	3.023
16	NUT - Fuel tank strap to bracket.....	3.023
17	WASHER - Fuel tank mounting.....	3.023
18	HOSE - Filler neck to filler neck tee	3.003
19	HOSE - Tee to tee	3.003
20	CLAMP - Filler neck vent hoses	3.003
21	TEE - Vent hoses to filler neck.....	3.003
22	CLAMP - Reservoir to filler neck	3.001
23	RESERVOIR - Breather	3.001
24	CLAMP - Canister pipe hose to vent hose	3.003
25	HOSE - Canister pipe to vent hose.....	3.003
26	STRAP - Vapour hoses to filler neck.....	3.003
27	HOSE - Filler neck vent	3.003
28	CLAMP - Filler neck vent hose	3.003
29	CAP ASM. - Fuel tank filler.....	3.028
30	CYLINDER - Lock.....	3.028



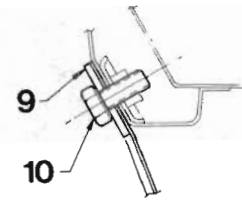
SECTION A-A



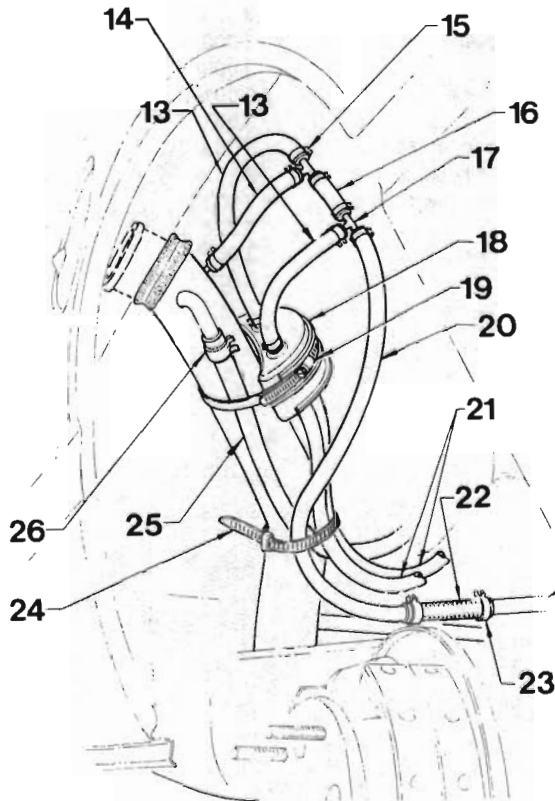
SECTION C-C



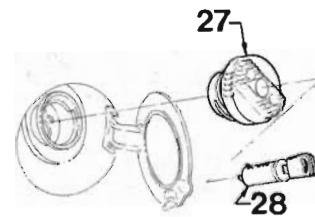
SECTION D-D



SECTION B-B



VIEW A



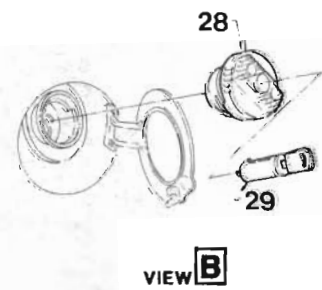
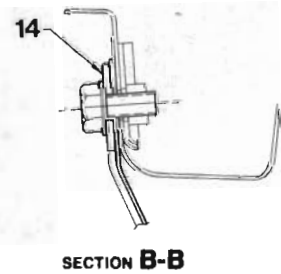
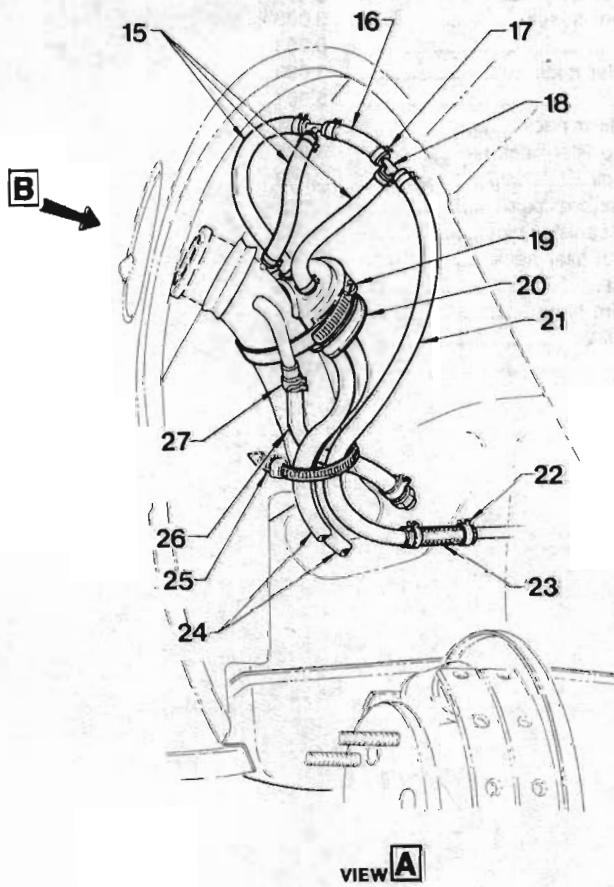
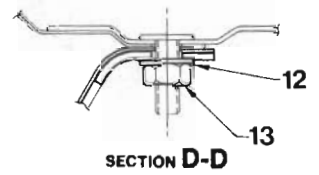
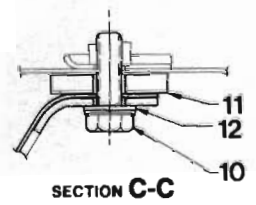
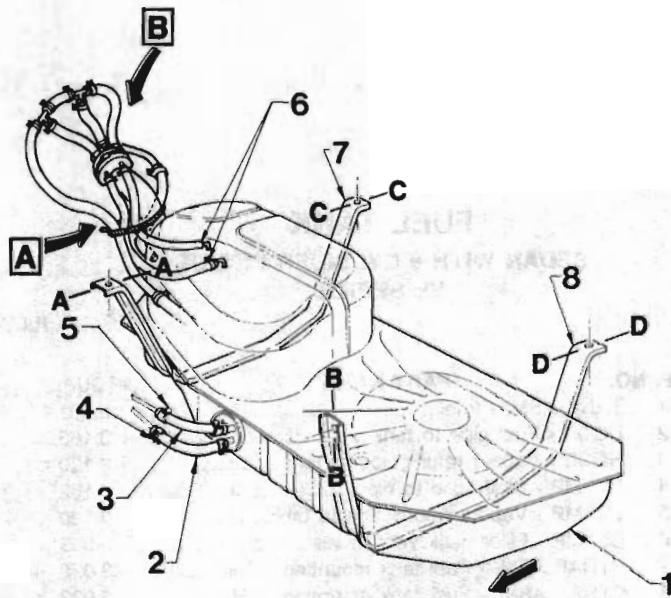
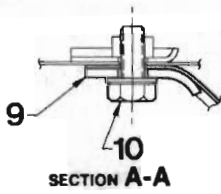
VIEW B



**FUEL TANK
SEDAN WITH 8 CYLINDER ENGINE
VL SERIES**

ILLUSTRATION OPPOSITE

REF. NO.	PART NAME	GROUP
1	TANK ASM. - Fuel.....	3.001
2	HOSE - Fuel pipe to tank	3.163
3	HOSE - Vapour return pipe to tank.....	3.120
4	CLAMP - Fuel hose to pipe.....	3.162
5	CLAMP - Vapour return pipe to tank.....	3.120
6	CLAMP - Filler neck vent hoses	3.003
7	STRAP ASM. - Fuel tank mounting - RH	3.022
8	STRAP ASM. - Fuel tank mounting - LH.....	3.022
9	WASHER - Fuel tank mounting.....	3.023
10	SCREW - Fuel tank strap to frame	3.023
11	REINFORCEMENT - Fuel tank mounting	3.023
12	NUT - Fuel tank strap to bracket.....	3.023
13	HOSE - Reservoir to filler neck tee.....	3.003
14	HOSE - Filler neck to reservoir tee.....	3.003
15	CLAMP - Filler neck vent hoses	3.003
16	HOSE - Tee to tee.....	3.003
17	TEE - Vent hoses to filler neck.....	3.003
18	RESERVOIR - Breather	3.001
19	CLAMP - Reservoir to filler neck	3.001
20	HOSE - Canister pipe to filler neck tee.....	3.003
21	HOSE - Tank to reservoir.....	3.003
22	HOSE - Vent pipe to canister pipe.....	3.003
23	CLAMP - Vent hose to canister pipe.....	3.003
24	STRAP - Vapour hose to filler neck.....	3.003
25	HOSE - Filler neck vent	3.003
26	CLAMP - Filler neck vent hose	3.003
27	CAP ASM. - Fuel tank filler.....	3.028
28	CYLINDER LOCK.....	3.028

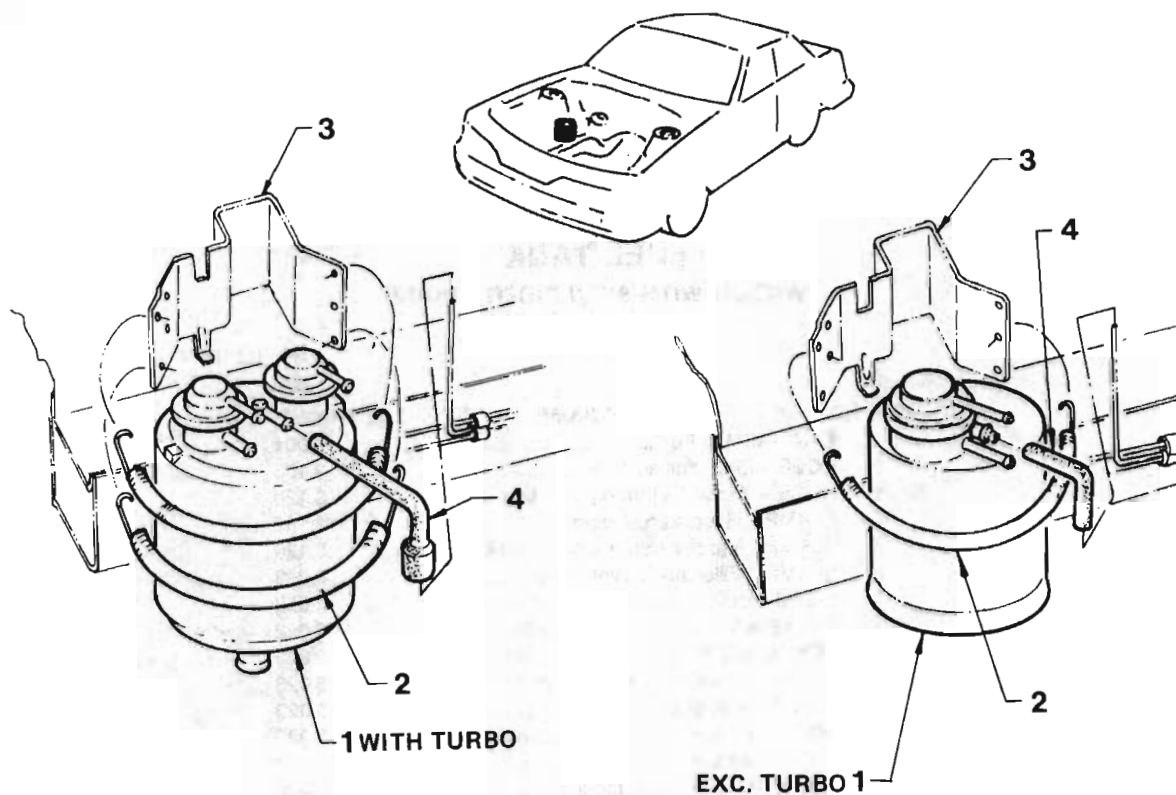




**FUEL TANK
WAGON WITH 8 CYLINDER ENGINE
VL SERIES**

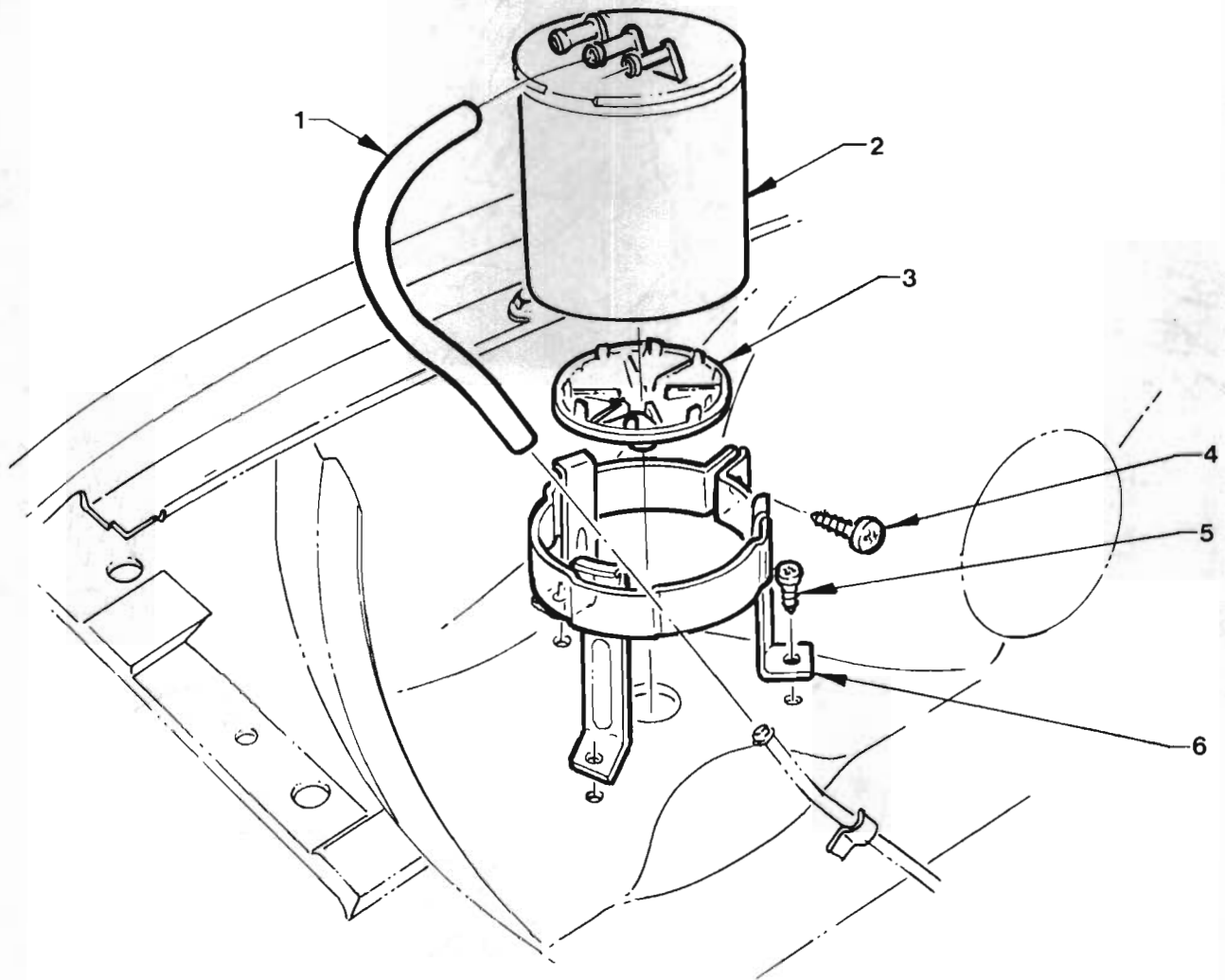
ILLUSTRATION OPPOSITE

REF. NO.	PART NAME	GROUP
1	TANK ASM. - Fuel.....	3.001
2	HOSE - Fuel pipe to tank	3.163
3	HOSE - Vapour return pipe to tank	3.120
4	CLAMP - Hose to fuel pipe.....	3.162
5	CLAMP - Vapour return pipe to tank.....	3.120
6	CLAMP - Filler neck vent hose	3.003
7	STRAP ASM. - Fuel tank mounting.....	3.022
8	STRAP ASM. - Fuel tank mounting.....	3.022
9	REINFORCEMENT - Fuel tank mounting	3.023
10	SCREW - Fuel tank strap to frame	3.023
11	SPACER - Fuel tank	3.023
12	WASHER - Fuel tank stop to bracket.....	3.023
13	NUT - Fuel tank strap to bracket.....	3.023
14	WASHER - Fuel tank mounting.....	3.023
15	HOSE - Reservoir to filler neck tee.....	3.003
16	HOSE - Tee to tee.....	3.003
17	CLAMP - Filler neck vent hoses	3.003
18	TEE - Vent hoses to filler neck.....	3.003
19	CLAMP - Reservoir to filler neck	3.001
20	RESERVOIR - Breather	3.001
21	HOSE - Canister pipe to filler neck	3.003
22	CLAMP - Vent hose to canister pipe.....	3.003
23	HOSE - Vent pipe to canister pipe.....	3.003
24	HOSE - Return pipe to reservoir.....	3.003
25	STRAP - Vapour hoses to filler neck	3.003
26	HOSE - Filler neck vent	3.003
27	HOSE - Filler neck vent	3.003
28	CAP ASM. - Fuel tank filler.....	3.028
29	CYLINDER - Lock.....	3.028



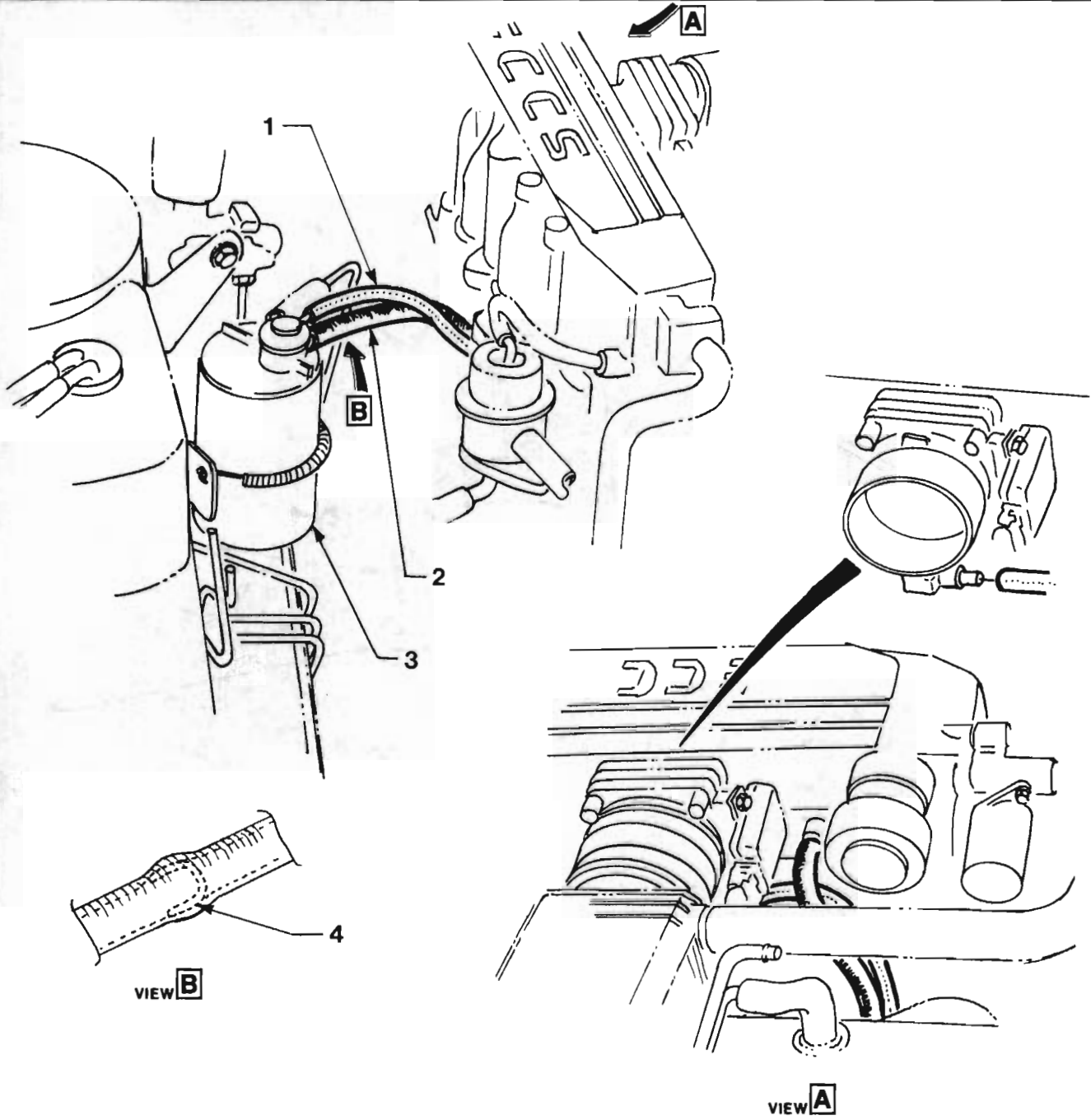
VAPOUR CANISTER
3.0 LITRE ENGINE
VL SERIES

REF. NO.	PART NAME	GROUP
1	CANISTER KIT - Vapour	3.130
2	SPRING - Canister retaining	3.130
3	SUPPORT ASM. - Canister	3.130
4	HOSE - Canister to vapour return pipe.....	3.120



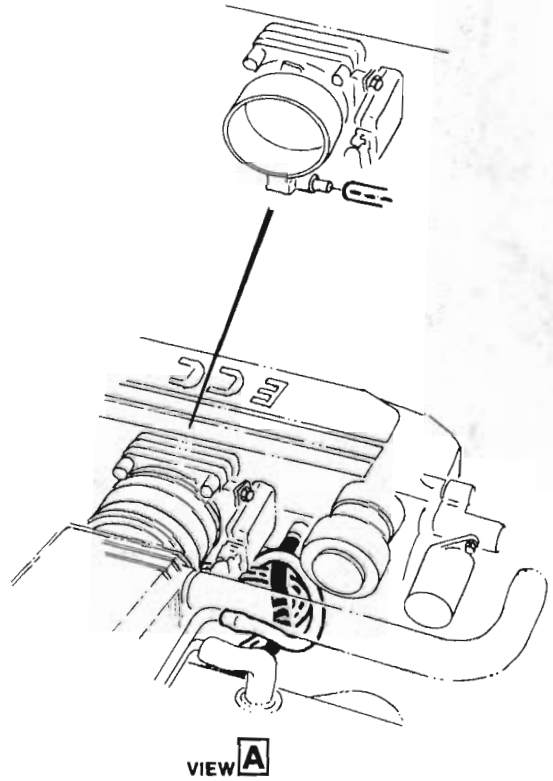
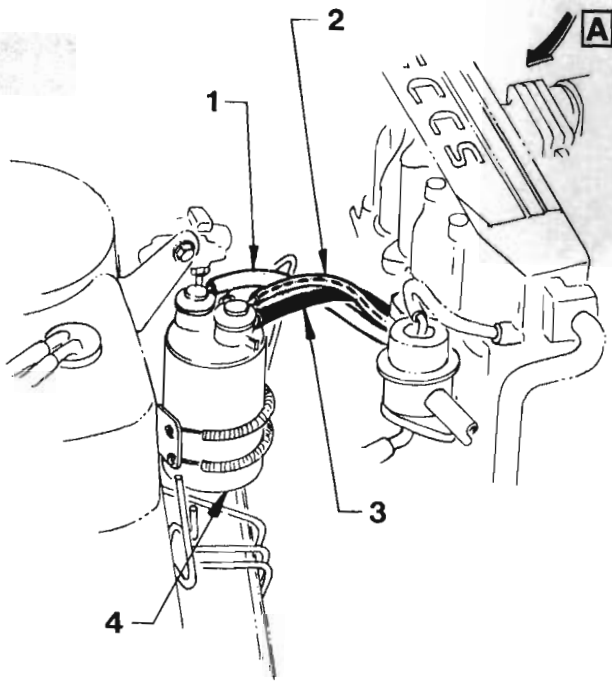
**VAPOUR CANISTER
8 CYLINDER ENGINE
VL SERIES**

REF. NO.	PART NAME	GROUP
1	HOSE - Fuel tank pipe to vapour canister.....	3.120
2	CANISTER KIT - Vapour.....	3.130
3	CAP - Canister drain.....	3.130
4	SCREW - Canister to support.....	3.130
5	SCREW - Support to fender skirt.....	3.130
6	SUPPORT ASM. - Vapour canister.....	3.130



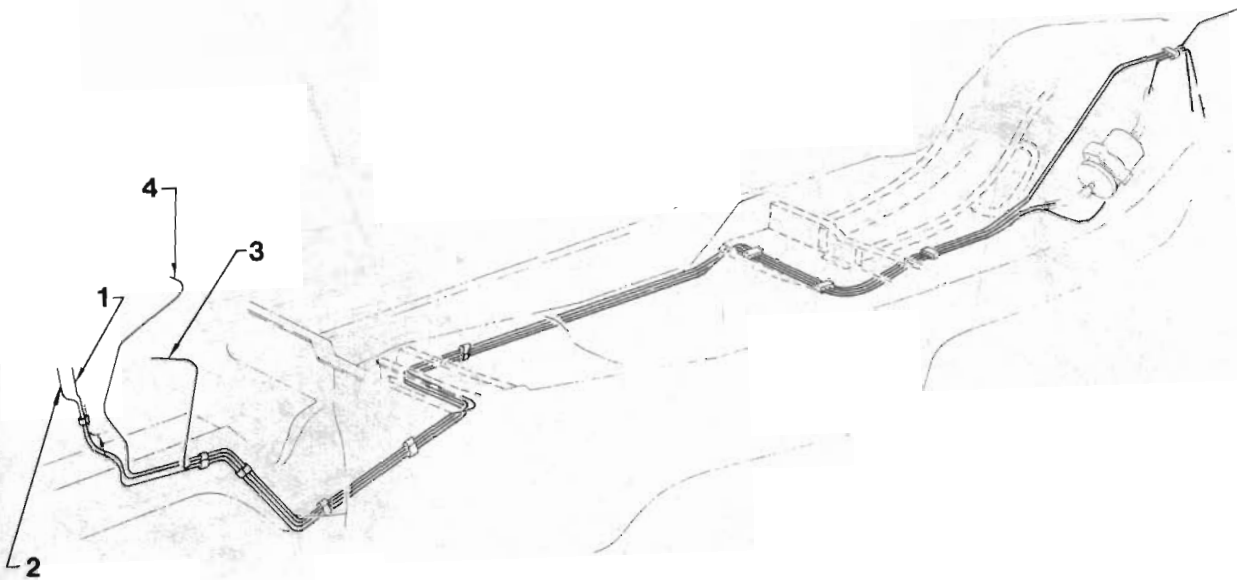
VAPOUR CANISTER PURGE HOSES
3.0 LITRE ENGINE EXC. TURBO
VL SERIES

REF. NO.	PART NAME	GROUP
1	HOSE - Canister purge signal	3.130
2	HOSE - Canister purge	3.130
3	CANISTER KIT - Vapour	3.130
4	RESTRICTOR - Canister purge hose	3.130



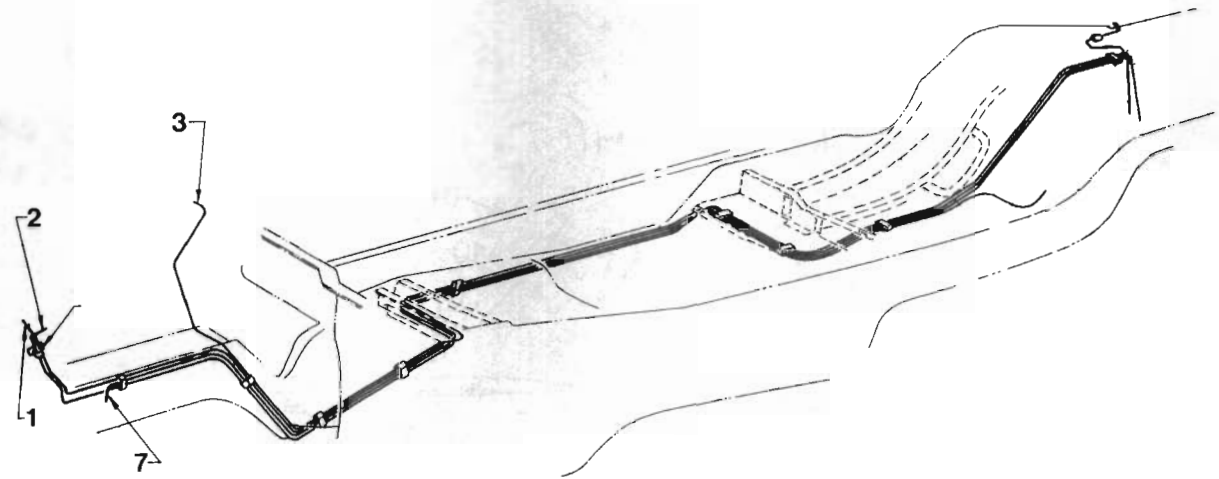
VAPOUR CANISTER PURGE HOSES
3.0 LITRE ENGINE WITH TURBO
VL SERIES

REF. NO.	PART NAME	GROUP
1	HOSE - Canister to throttle body.....	3.130
2	HOSE - Canister purge signal	3.130
3	HOSE - Canister purge.....	3.130
4	CANISTER KIT - Vapour	3.130

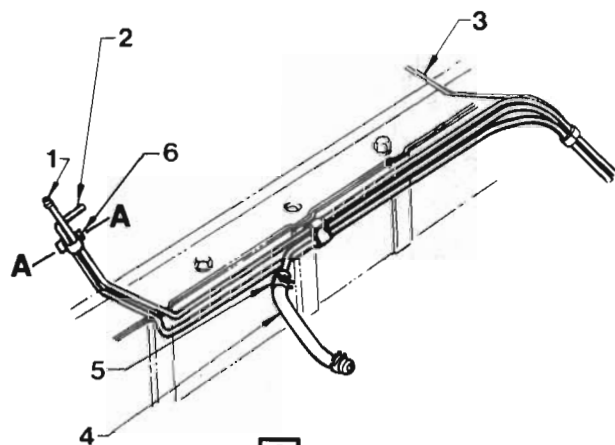


**FUEL, VAPOUR & BRAKE PIPES
6 CYLINDER ENGINE
VL SERIES**

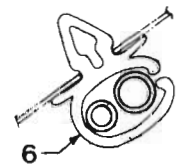
REF. NO.	PART NAME	GROUP
1	PIPE - Fuel filter to engine.....	3.163
2	PIPE - Fuel return.....	3.163
3	PIPE - Fuel tank to vapour canister	3.120
4	PIPE - Main cylinder to rear brake hose	4.685



A



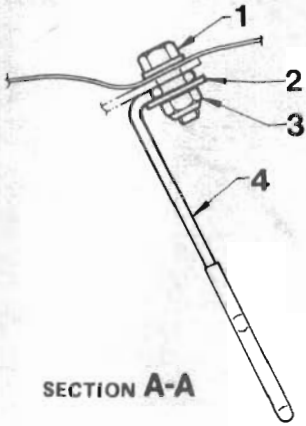
VIEW A



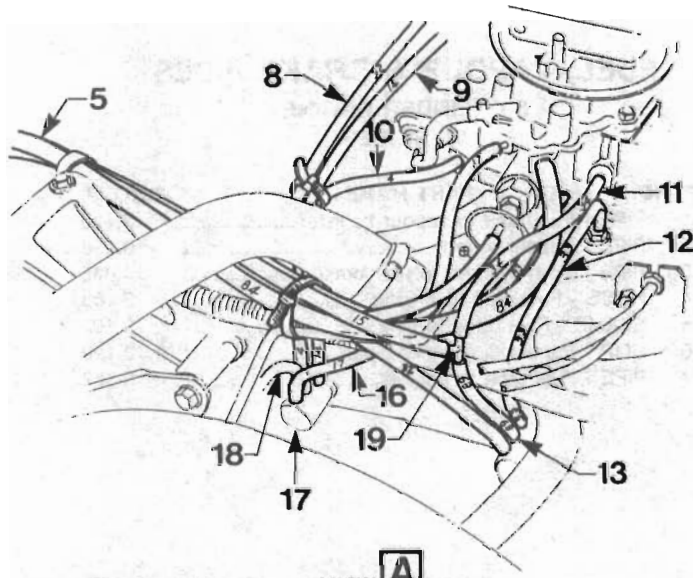
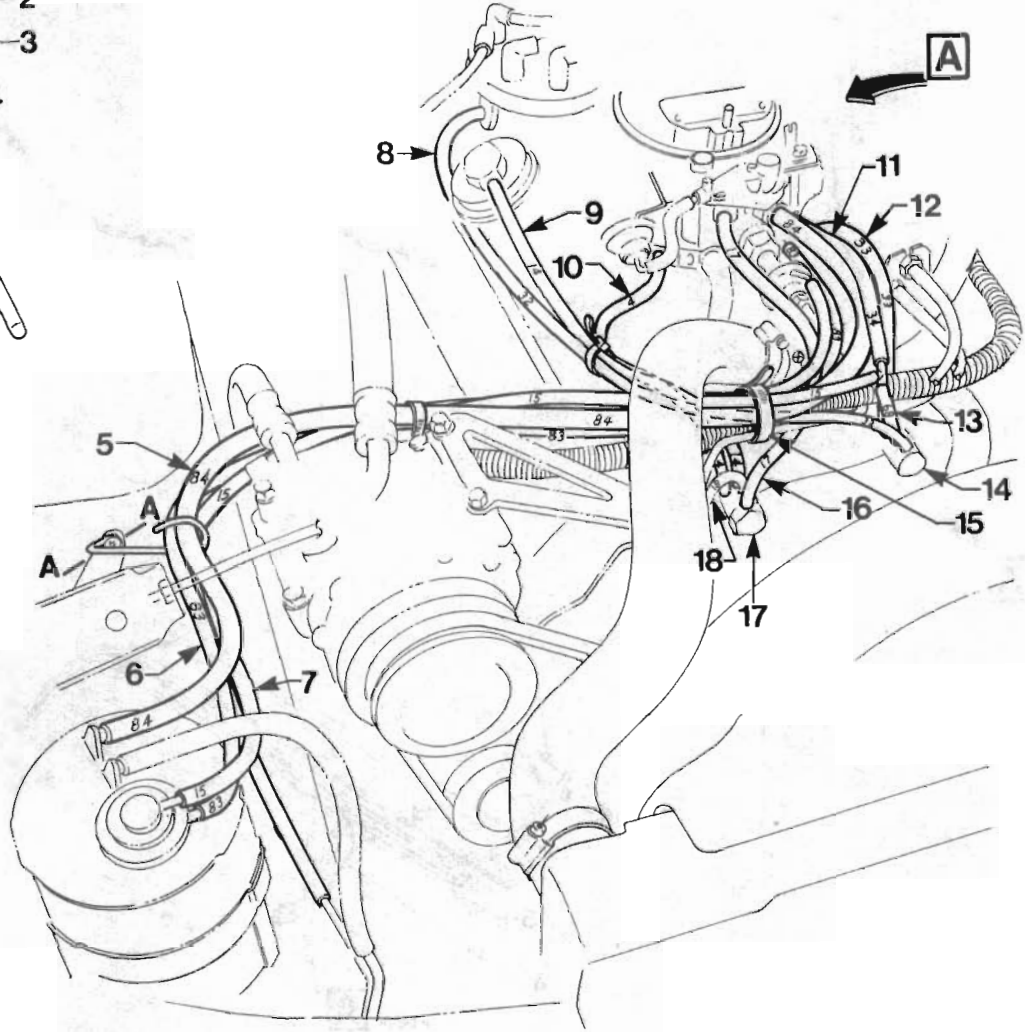
SECTION A-A

**FUEL, VAPOUR & BRAKE PIPES
8 CYLINDER ENGINE
VL SERIES**

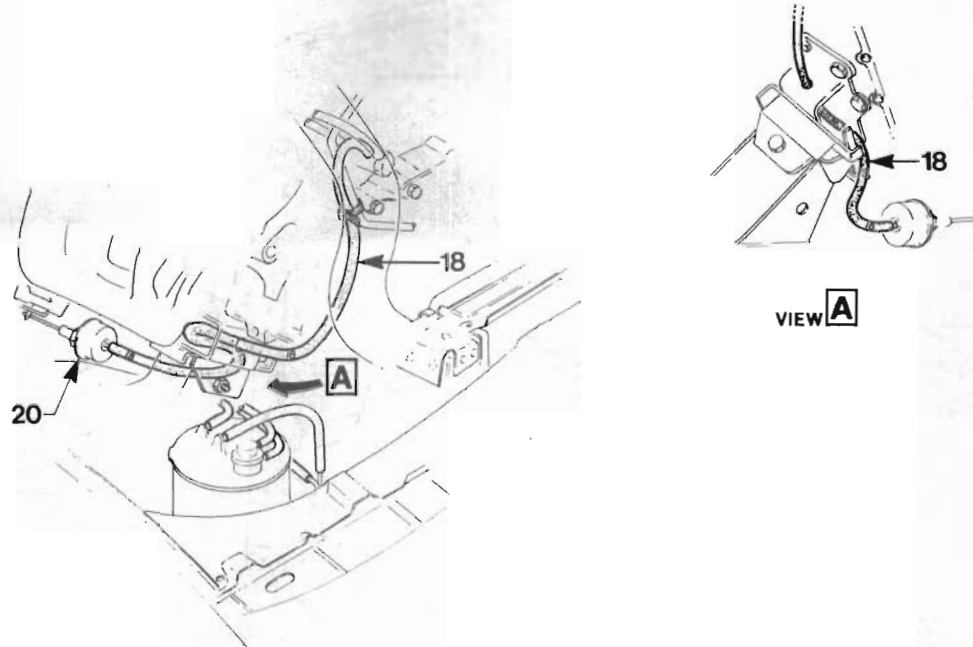
REF. NO.	PART NAME	GROUP
1	PIPE - Fuel tank to vapour canister	3.120
2	PIPE - Vapour return.....	3.120
3	PIPE - Main cylinder to rear brake hose	4.685
4	HOSE - Fuel pipe to engine	3.163
5	CLAMP - Fuel hose to pipe.....	3.162
6	CLIP - Vapour & canister pipe.....	3.120
7	PIPE - Fuel tank to engine.....	3.163



SECTION A-A



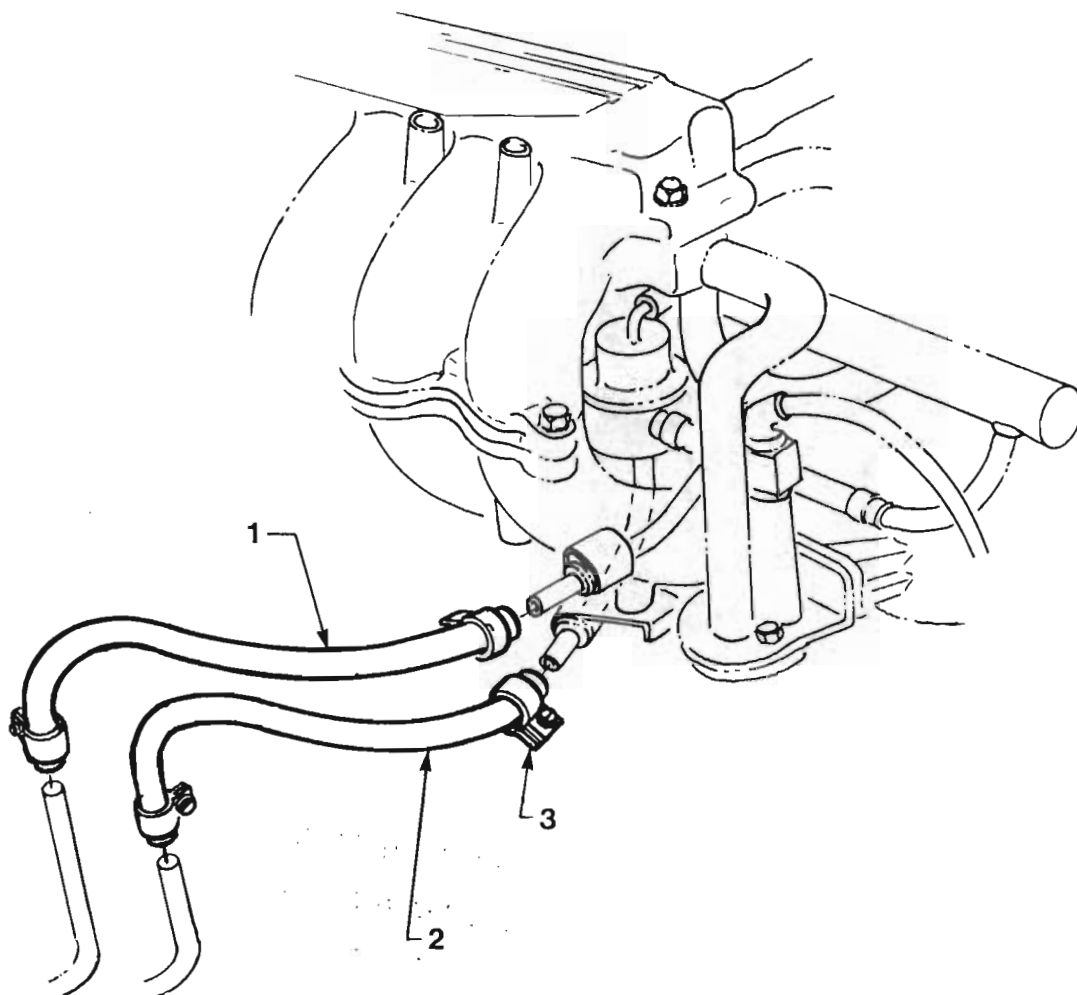
VIEW A



**EMISSION CONTROL HOSES
8 CYLINDER ENGINE
VL SERIES**

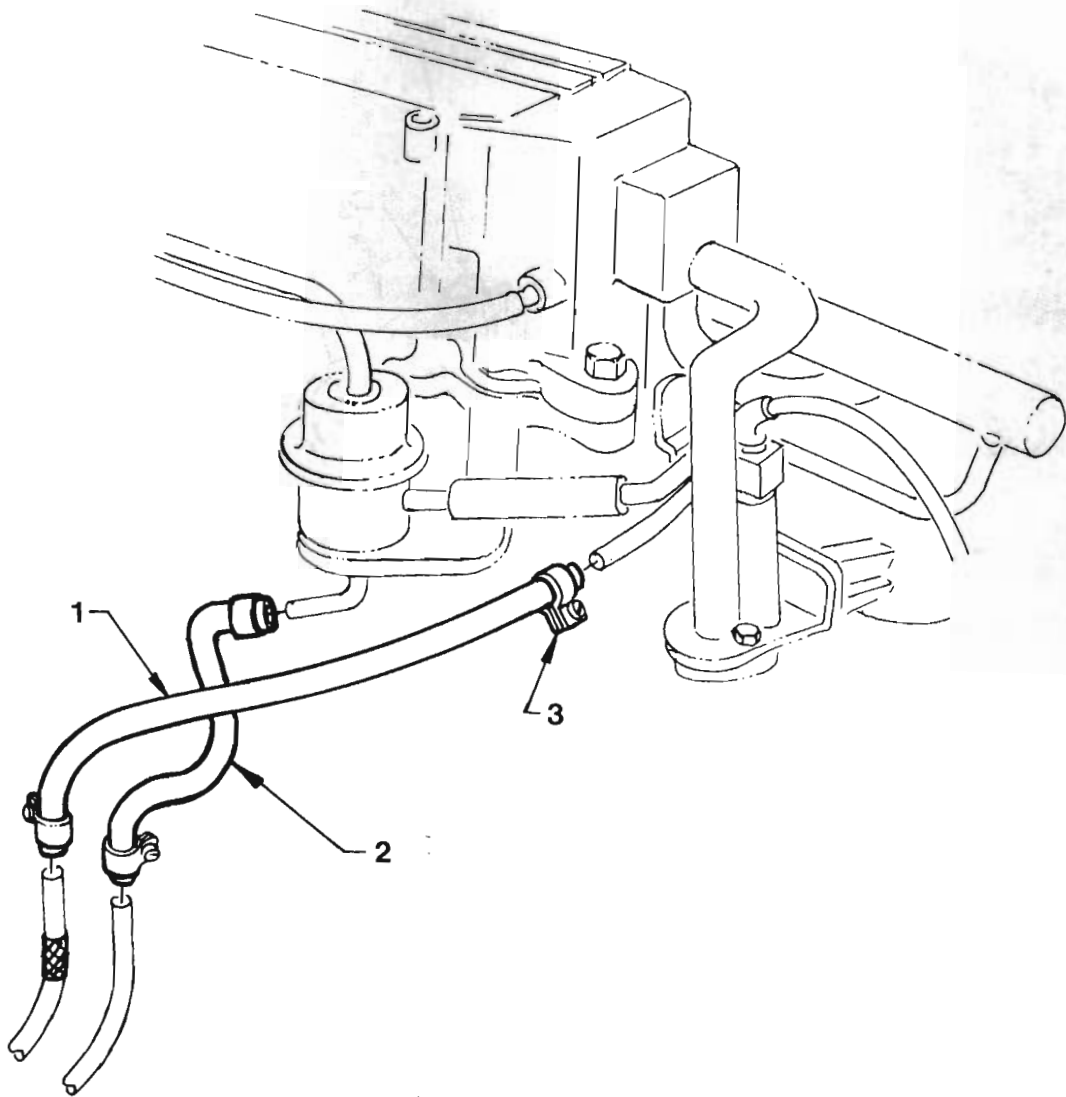
ILLUSTRATION ABOVE & OPPOSITE

REF. NO.	PART NAME	GROUP
1	BOLT - Support to fender skirt.....	3.130
2	WASHER - Support to fender skirt.....	3.130
3	NUT - Support to fender skirt.....	3.130
4	SUPPORT ASM. - Vapour canister hose.....	3.130
5	HOSE - Canister to carburettor.....	3.130
6	HOSE - Canister to carburettor purge.....	3.130
7	HOSE - Canister vacuum to T.V.S. tee.....	2.420
8	HOSE - Carburettor to T.V.S.....	2.420
9	HOSE - E.G.R. Valve to E.G.R. T.V.S.....	3.675
10	HOSE - E.G.R. T.V.S. to Carburettor.....	3.675
11	HOSE - Carburettor to T.V.S. tee.....	2.420
12	HOSE - Manifold to T.V.S.....	2.420
13	HOSE - T.V.S. to Tee.....	2.420
14	SWITCH - Transmission controlled spark thermal vacuum.....	2.409
15	STRAP - Actuator hose to fuel pipe.....	3.145
16	HOSE - E.G.R. T.V.S. to carburettor.....	3.675
17	SWITCH - E.G.R. thermal vacuum.....	3.670
18	HOSE - Actuator to E.F.E. T.V.S.....	3.145
19	TEE - Thermal vacuum switch.....	2.420
20	ACTUATOR - Exhaust manifold valve vacuum....	3.142



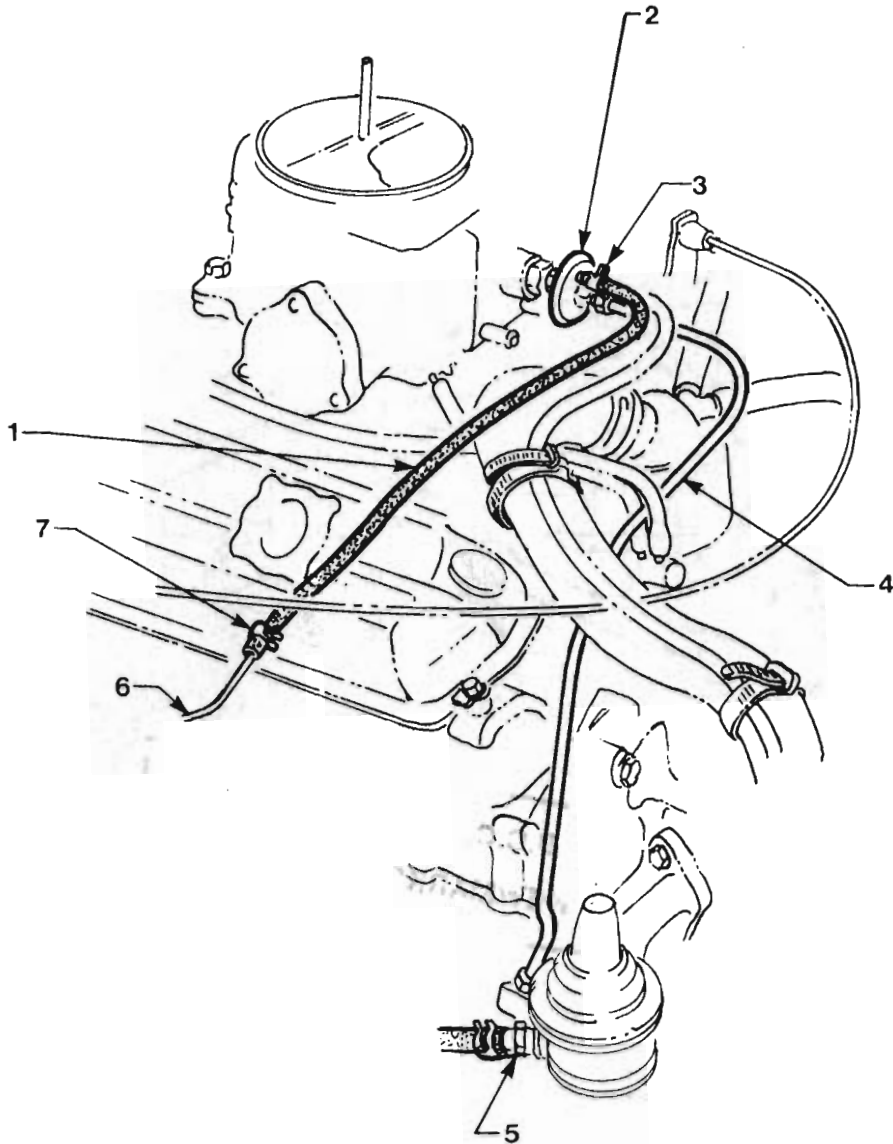
**FUEL PIPE TO ENGINE
6 CYLINDER ENGINE EXC. TURBO.
VL SERIES**

REF. NO.	PART NAME	GROUP
1	HOSE - Fuel filter pipe to fuel distribution pipe...	3.163
2	HOSE - Fuel pressure regulator to fuel return pipe	3.163
3	CLAMP - Fuel hoses	3.162



**FUEL PIPE TO ENGINE
6 CYLINDER ENGINE WITH TURBO.
VL SERIES**

REF. NO.	PART NAME	GROUP
1	HOSE - Fuel filter pipe to fuel distribution pipe...	3.163
2	HOSE - Fuel pressure regulator to fuel return pipe	3.163
3	CLAMP - Fuel hoses.....	3.162

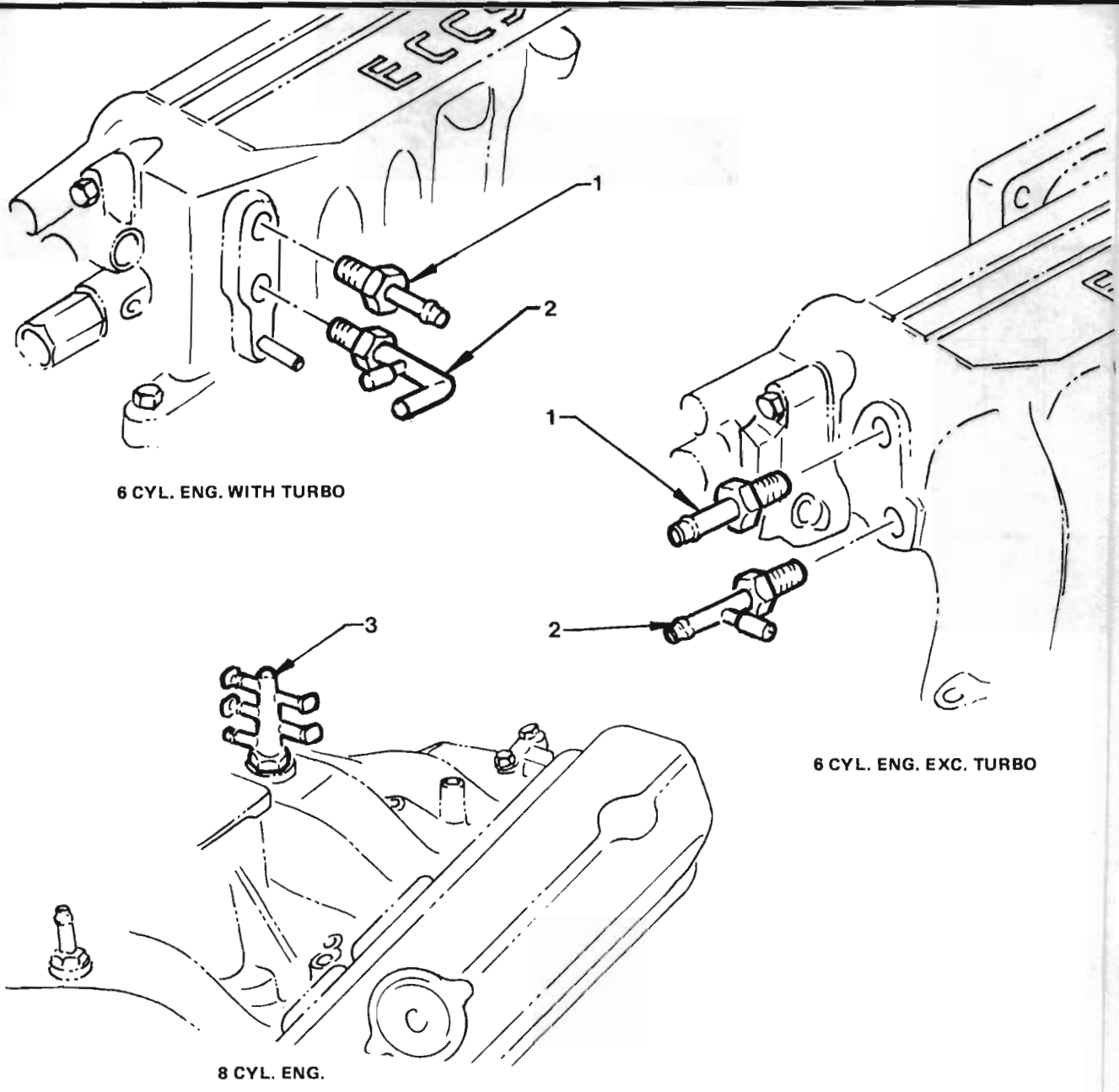


**FUEL PIPE TO ENGINE
8 CYLINDER ENGINE
VL SERIES**

REF. NO.	PART NAME	GROUP
1	HOSE - Vapour return pipe to seperator	3.120
2	SEPERATOR - Fuel vapour	3.164
3	CLAMP - Hose to vapour return & seperator	3.120
4	PIPE ASM. - Pump to carburettor	3.163
5	CONNECTOR - Fuel hose to fuel pump	3.163
6	PIPE - Vapour return	3.120



"V" SERIES PARTS CATALOGUE

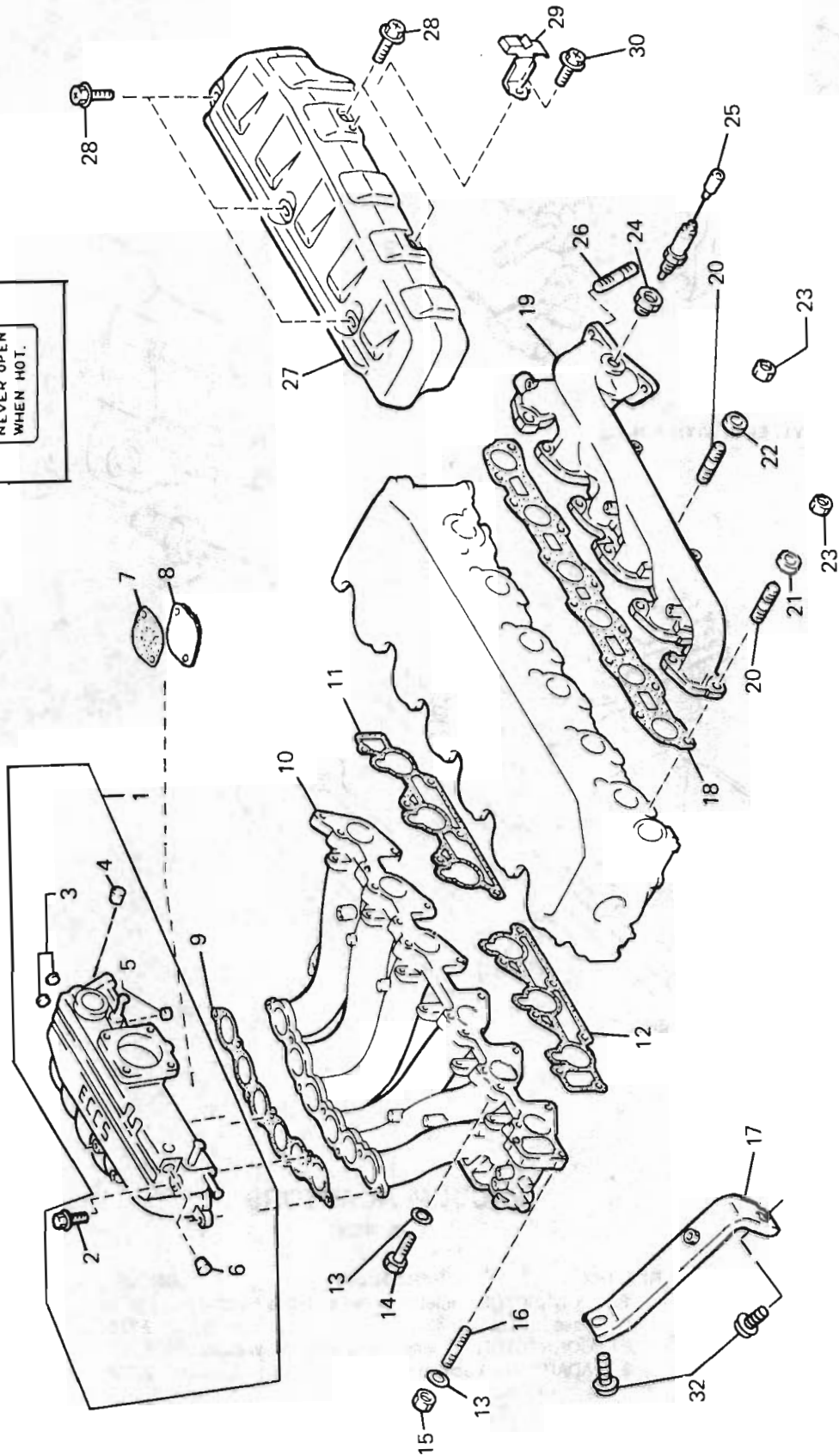


VACUUM ADAPTORS VL SERIES

REF. NO.	PART NAME	GROUP
1	CONNECTOR - Inlet manifold to brake booster hose	3.278
2	CONNECTOR - 2 Way - Inlet manifold vacuum..	3.278
3	ADAPTOR - Vacuum.....	3.278



31
NEVER OPEN
WHEN HOT.

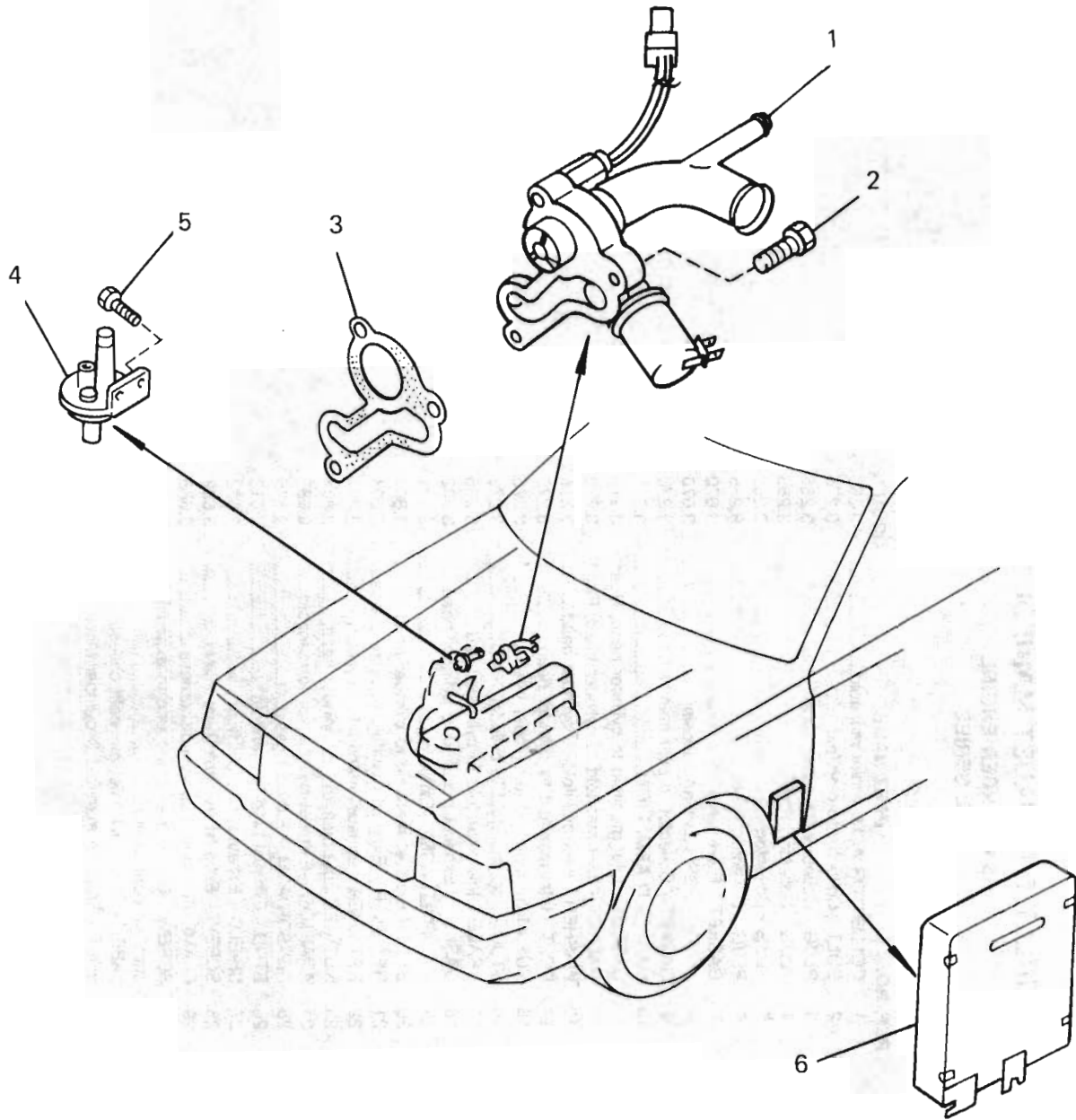




INLET & EXHAUST MANIFOLDS
6 CYLINDER ENGINE
VL SERIES

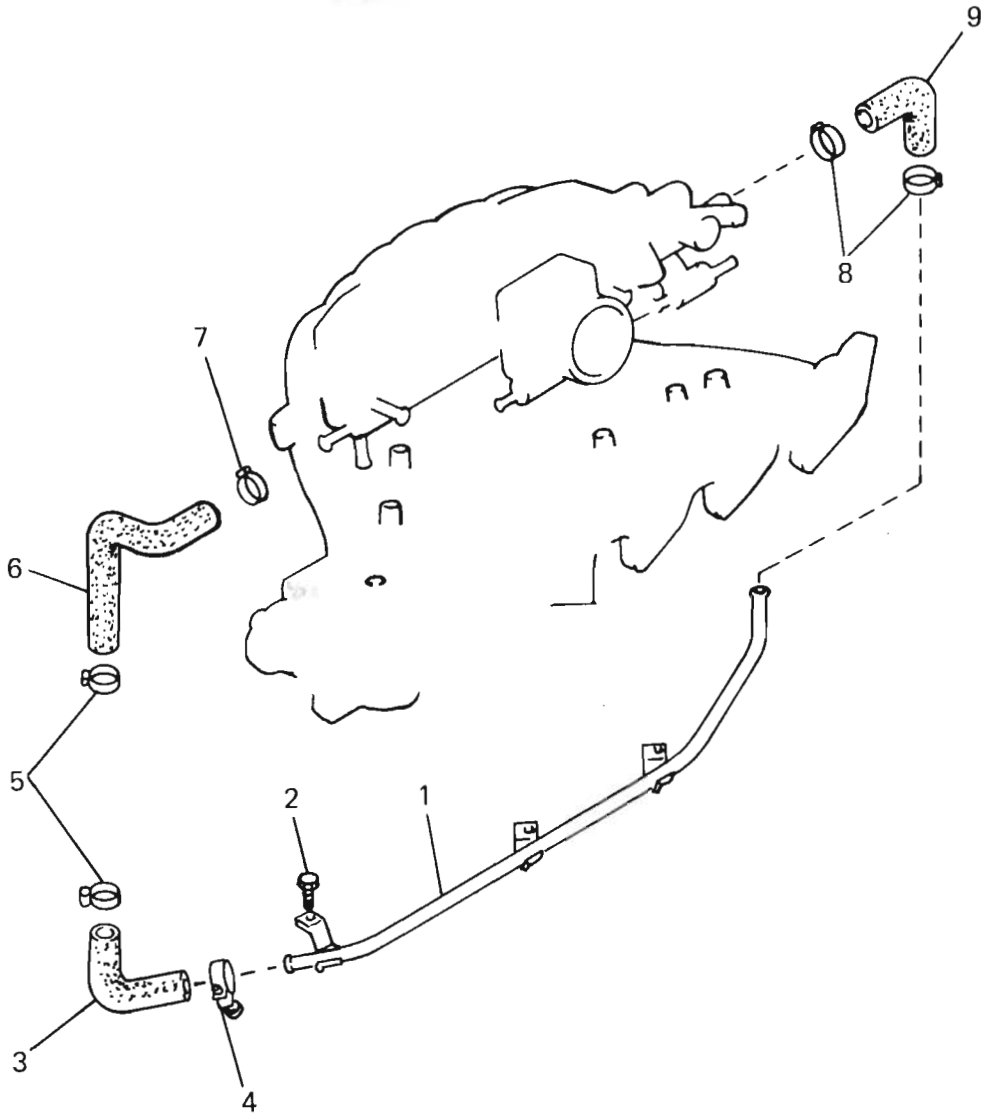
ILLUSTRATION OPPOSITE

REF. NO.	PART NAME	GROUP
1	COLLECTOR ASM. - Inlet manifold.....	3.265
2	BOLT - Collector to manifold.....	3.275
3	PLUG - Collector threaded, Rear.....	3.265
4	PLUG - Collector, Rear.....	3.265
5	PLUG - Collector, Lower rear.....	3.265
6	PLUG - Collector, Front.....	3.265
7	GASKET - EGR valve hole closing plate.....	3.670
8	PLATE - EGR valve hole closing.....	3.670
9	GASKET - Collector to inlet manifold.....	3.270
10	MANIFOLD ASM. - Inlet.....	3.265
11	GASKET - Inlet manifold to cylinder head, Rear.....	3.270
12	GASKET - Inlet manifold to cylinder head, Front.....	3.270
13	WASHER - Inlet manifold to cylinder head.....	3.275
14	BOLT - Inlet manifold to cylinder head.....	3.275
15	NUT - Inlet manifold to cylinder head.....	3.275
16	STUD - Inlet manifold to cylinder head.....	3.275
17	BRACE - Inlet manifold to cylinder head.....	3.265
18	GASKET - Exhaust manifold to cylinder head.....	3.602
19	MANIFOLD ASM. - Exhaust.....	3.601
20	STUD - Exhaust manifold to cylinder head.....	3.604
21	RETAINER - Exhaust manifold to cylinder head.....	3.604
22	RETAINER - Exhaust manifold to cylinder head.....	3.604
23	NUT - Exhaust manifold to cylinder head.....	3.604
24	ADAPTOR - Exhaust gas sensor to manifold.....	3.685
25	SENSOR ASM. - Exhaust gas.....	3.685
26	STUD - Exhaust pipe to manifold.....	3.613
27	SHIELD - Exhaust manifold heat.....	3.602
28	SCREW - Exhaust manifold heat shield.....	3.602
29	CLAMP - Exhaust gas sensor harness.....	3.685
30	SCREW - Sensor harness clamp to exhaust manifold heat shield.....	3.685
31	LABEL - CAUTION, Inlet manifold collector.....	3.265
32	BOLT - Brace to manifold & cylinder block.....	3.265



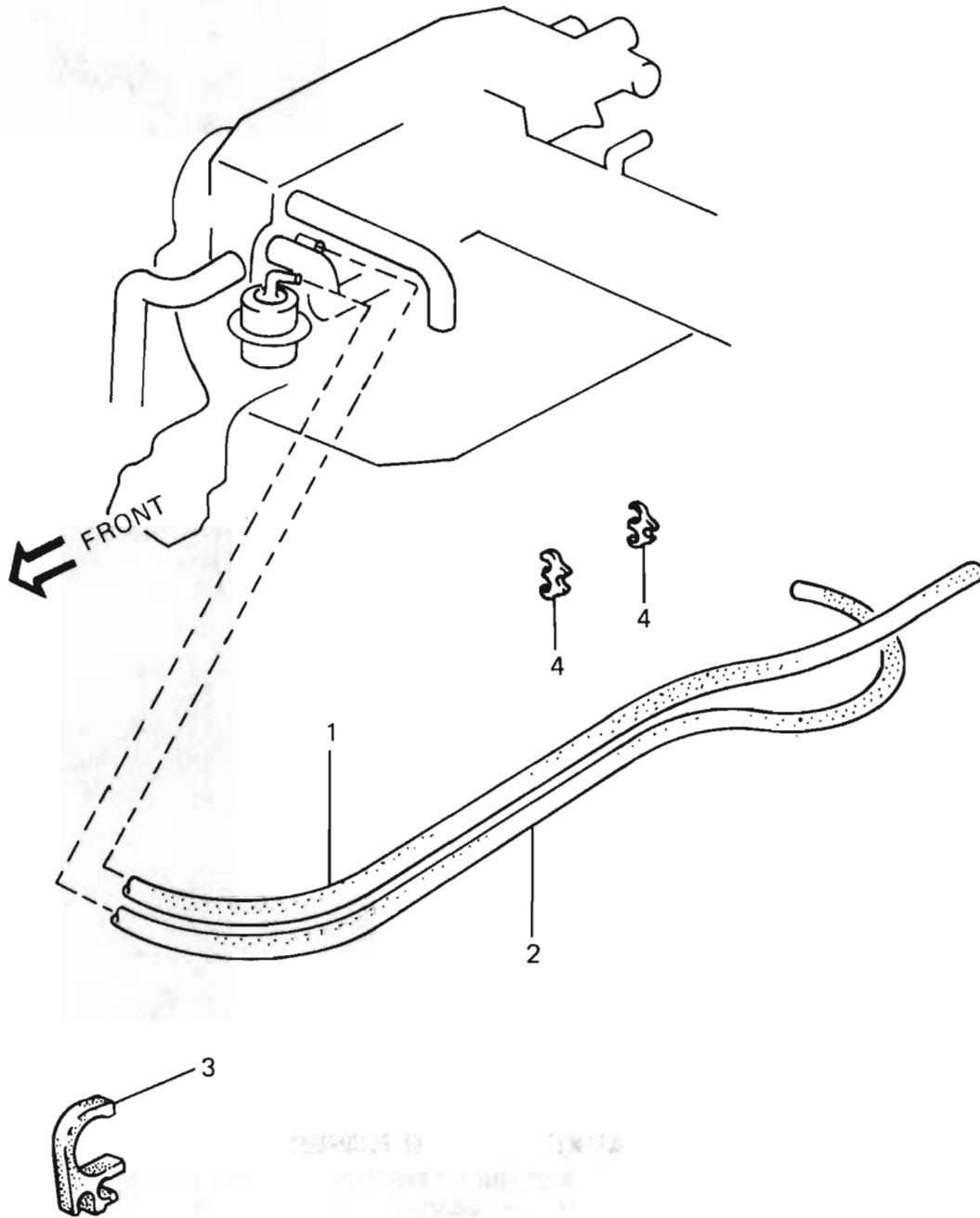
**AIR REGULATOR VALVES
6 CYLINDER ENGINE
VL SERIES**

REF. NO.	PART NAME	GROUP
1	VALVE ASM. - Idle air adjusting	3.318
2	BOLT - Idle air adjusting valve attaching.....	3.318
3	GASKET - Valve to collector.....	3.318
4	VALVE ASM. - Air regulator.....	3.318
5	SCREW - Air regulator valve attaching.....	3.318
6	MODULE ASM. - Engine control.....	2.383



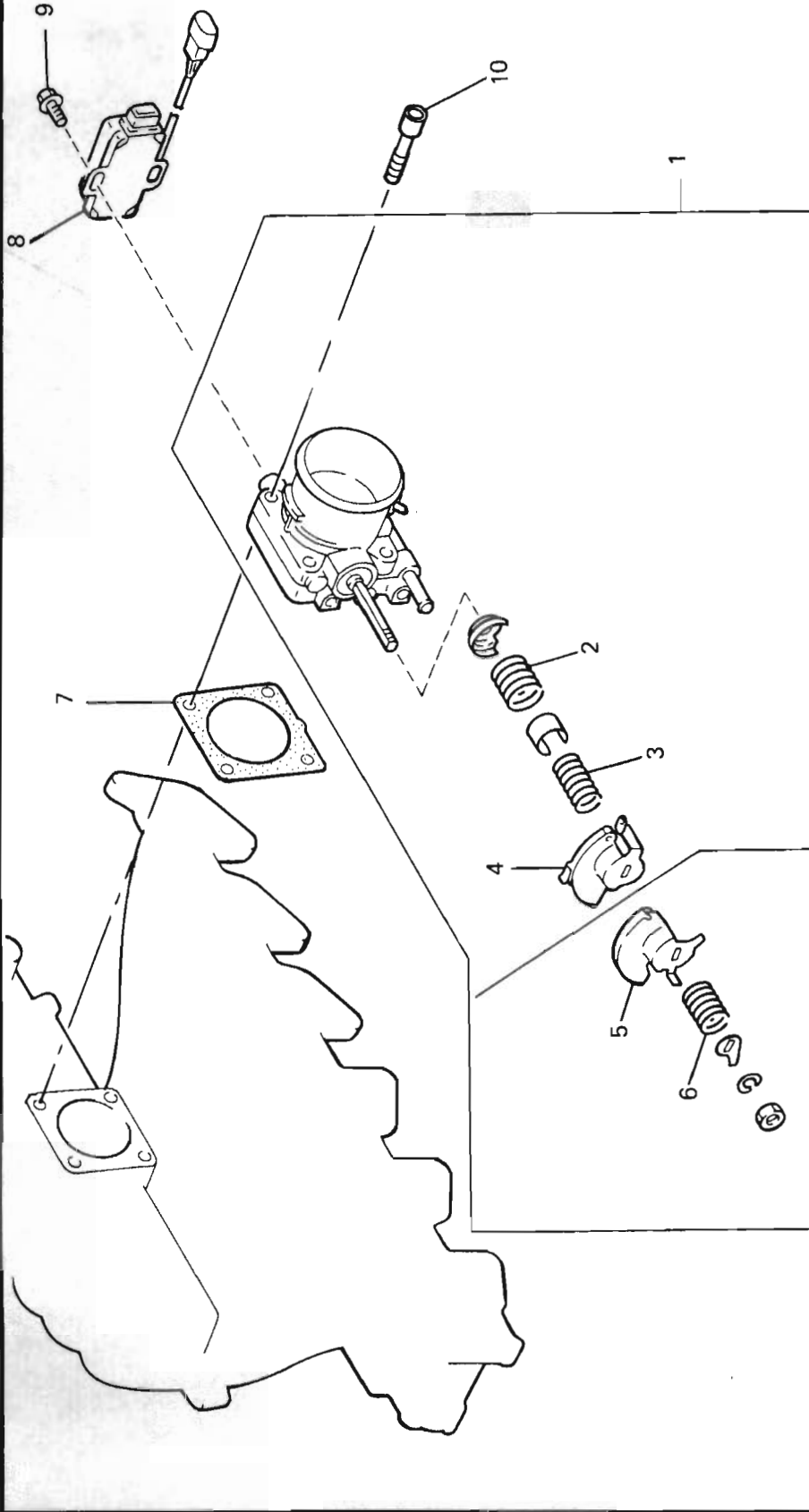
**AUXILIARY AIR HOSES
6 CYLINDER ENGINE
VL SERIES**

REF. NO.	PART NAME	GROUP
1	PIPE - Air regulator	3.318
2	BOLT - Air regulator air pipe to manifold	3.318
3	HOSE - Auxiliary air valve to air pipe, Inlet.....	3.318
4	CLAMP - Air inlet hose to air pipe.....	3.318
5	CLAMP - Hose to AAC regulator	3.318
6	HOSE - Auxiliary air valve to collector, Outlet....	3.318
7	CLAMP - Outlet hose to collector.....	3.318
8	CLAMP - Hose - Air pipe to collector	3.318
9	HOSE - Air pipe to collector.....	3.318



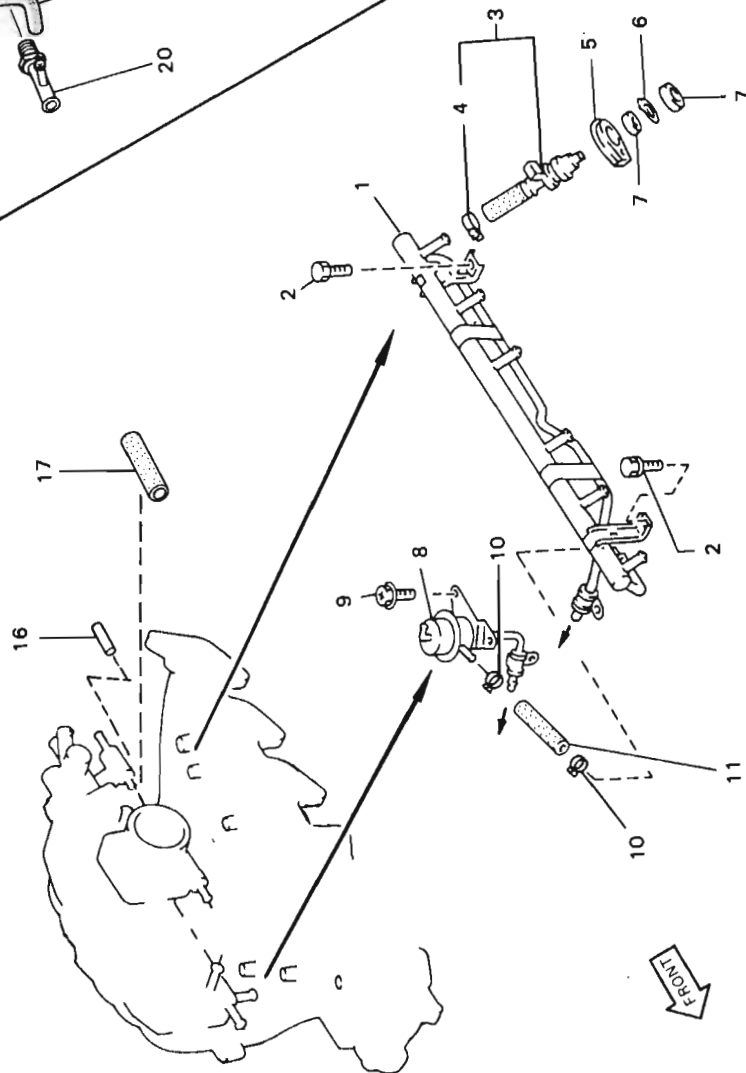
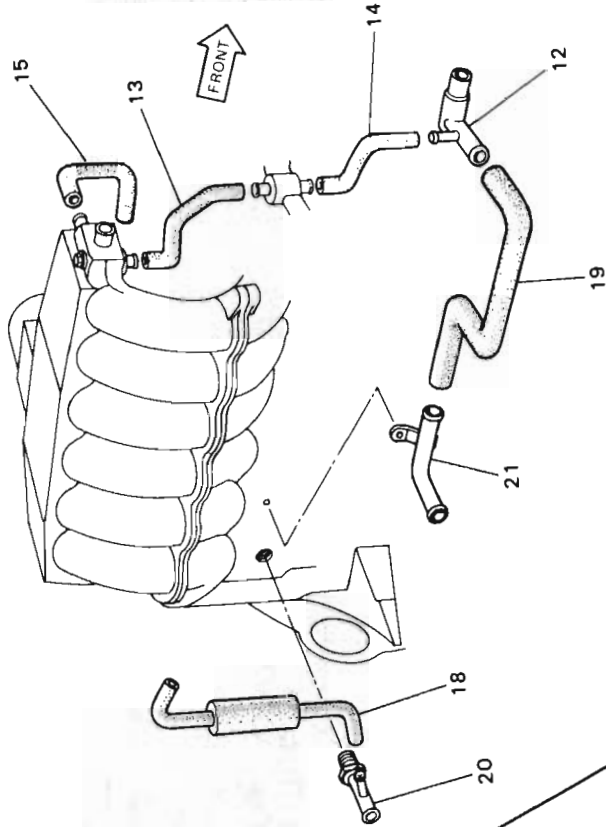
FUEL FLOW CONTROL REGULATOR HOSES & CLIPS
6 CYLINDER ENGINE
VL SERIES

REF. NO.	PART NAME	GROUP
1	HOSE - Collector to fuel pressure regulator vacuum relief solenoid	3.320
2	HOSE - Fuel pressure regulator to fuel pressure regulator vacuum relief solenoid	3.320
3	SUPPORT - Vacuum hose to fuel distribution pipe, Upper	3.320
4	CLIP - Vacuum hose to fuel distribution pipe, Lower	3.320



THROTTLE CONTROL
6 CYLINDER ENGINE
VL SERIES

REF. NO.	PART NAME	GROUP
1	BODY ASM. - Throttle	3.335
2	SPRING - Throttle return, Inner	3.320
3	SPRING - Throttle return, Outer	3.320
4	LEVER - Throttle	3.335
5	LEVER - Auxiliary throttle	3.335
6	SPRING - Auxiliary throttle lever	3.318
7	GASKET - Throttle body to collector	3.335
8	SENSOR ASM. - Throttle body	3.335
9	SCREW - Sensor to throttle body	3.335
10	BOLT - Throttle body to collector	3.335

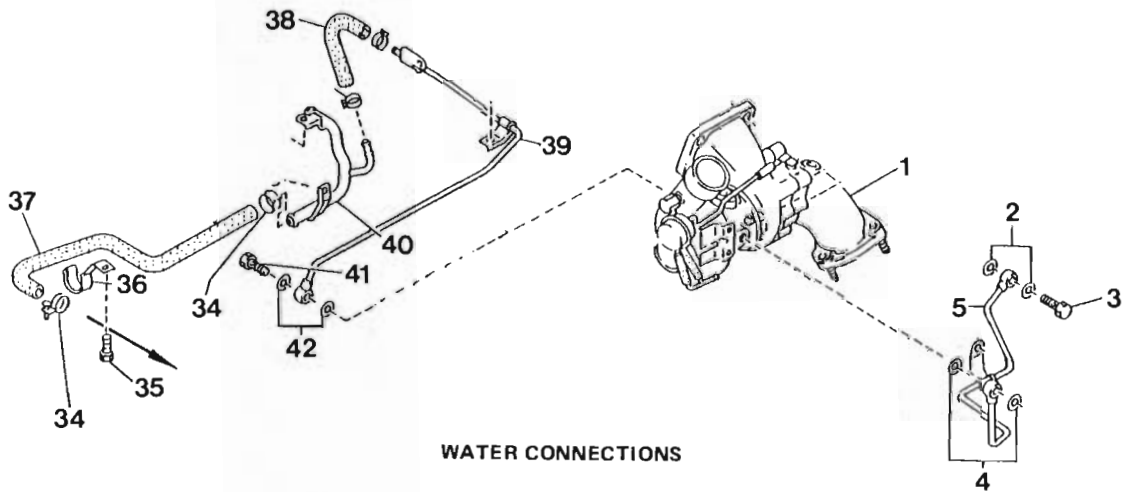




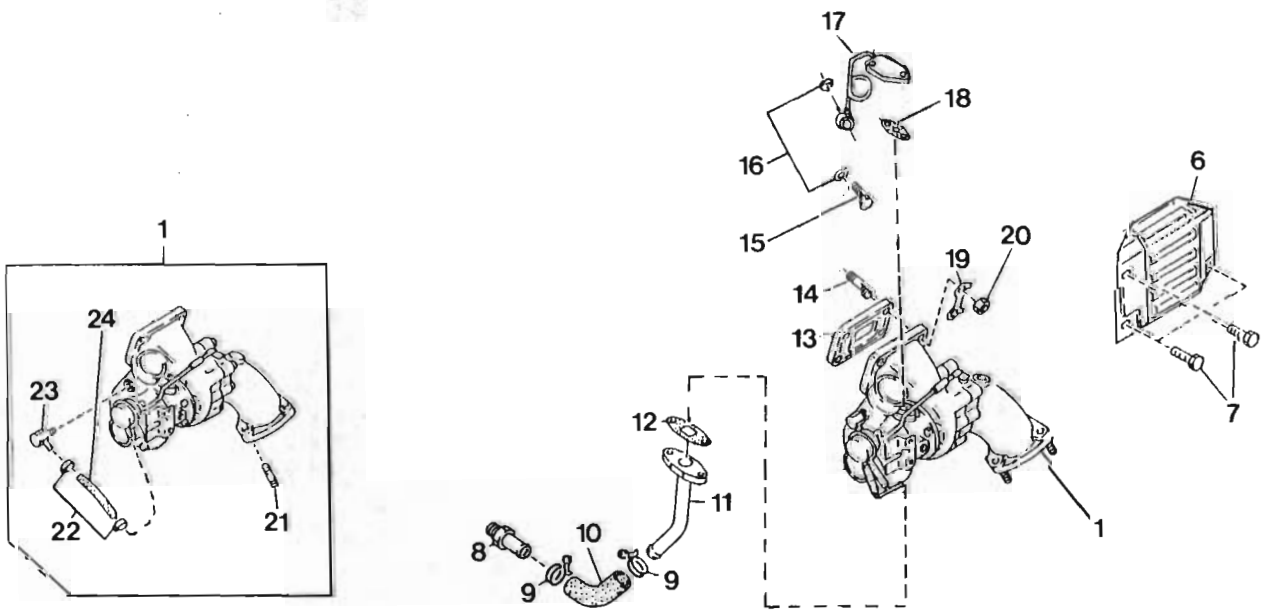
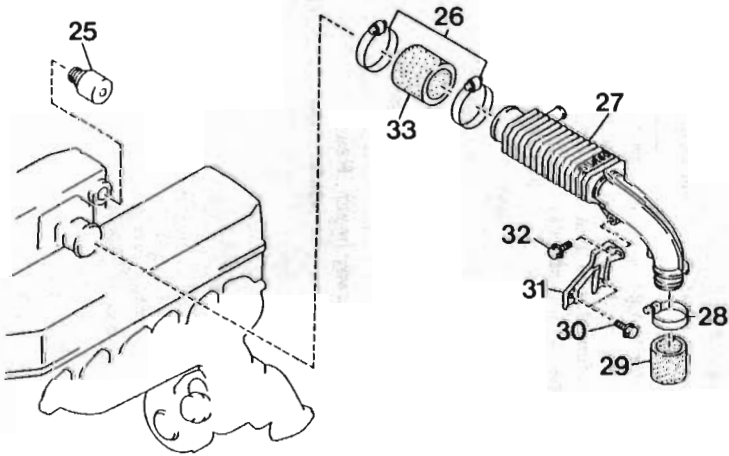
**E.F.I. FUEL SUPPLY SYSTEM
6 CYLINDER ENGINE
VL SERIES**

ILLUSTRATION OPPOSITE

REF. NO.	PART NAME	GROUP
1	PIPE ASM. - EFI fuel distribution.....	3.330
2	BOLT - Pipe asm. to inlet manifold.....	3.330
3	INJECTOR ASM. - EFI.....	3.300
4	CLAMP - Injector hose to fuel distribution pipe...	3.300
5	HOLDER - Injector.....	3.302
6	RING - Snap, injector.....	3.302
7	SEAL - Injector to cylinder head.....	3.304
8	REGULATOR ASM. - EFI fuel pressure.....	3.320
9	SCREW - EFI regulator mounting.....	3.320
10	CLAMP - Regulator hose to fuel distribution pipe.....	3.330
11	HOSE - Regulator to fuel distribution pipe.....	3.330
12	CONNECTOR - Hose, 3 way heater, Front.....	8.846
13	HOSE - Front connector to inlet manifold.....	3.265
14	HOSE - Inlet manifold to collector.....	3.265
15	HOSE - Collector to throttle body, Front.....	3.265
16	HOSE - Throttle body to AAC valve.....	3.265
17	CAP - Connector.....	3.265
18	HOSE - AAC valve connector to rear heater connector.....	3.265
19	HOSE - Engine, Front connector to heater hose connector.....	8.846
20	CONNECTOR - Hose, 3way heater, Rear.....	8.846
21	CONNECTOR - Engine hose to heater hose.....	8.846



WATER CONNECTIONS



OIL CONNECTIONS

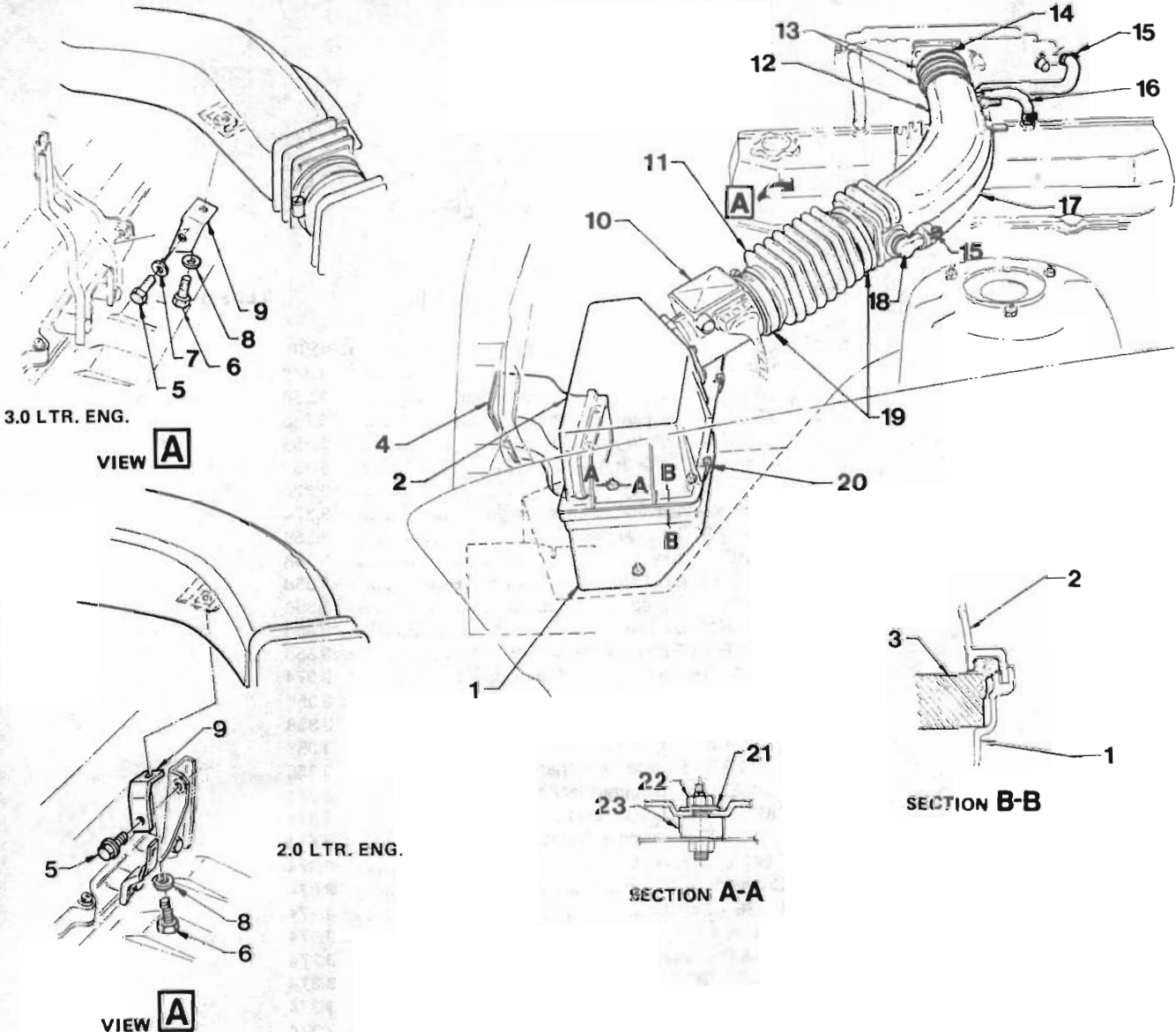


TURBO CHARGER

**3.0 LITRE
VL SERIES**

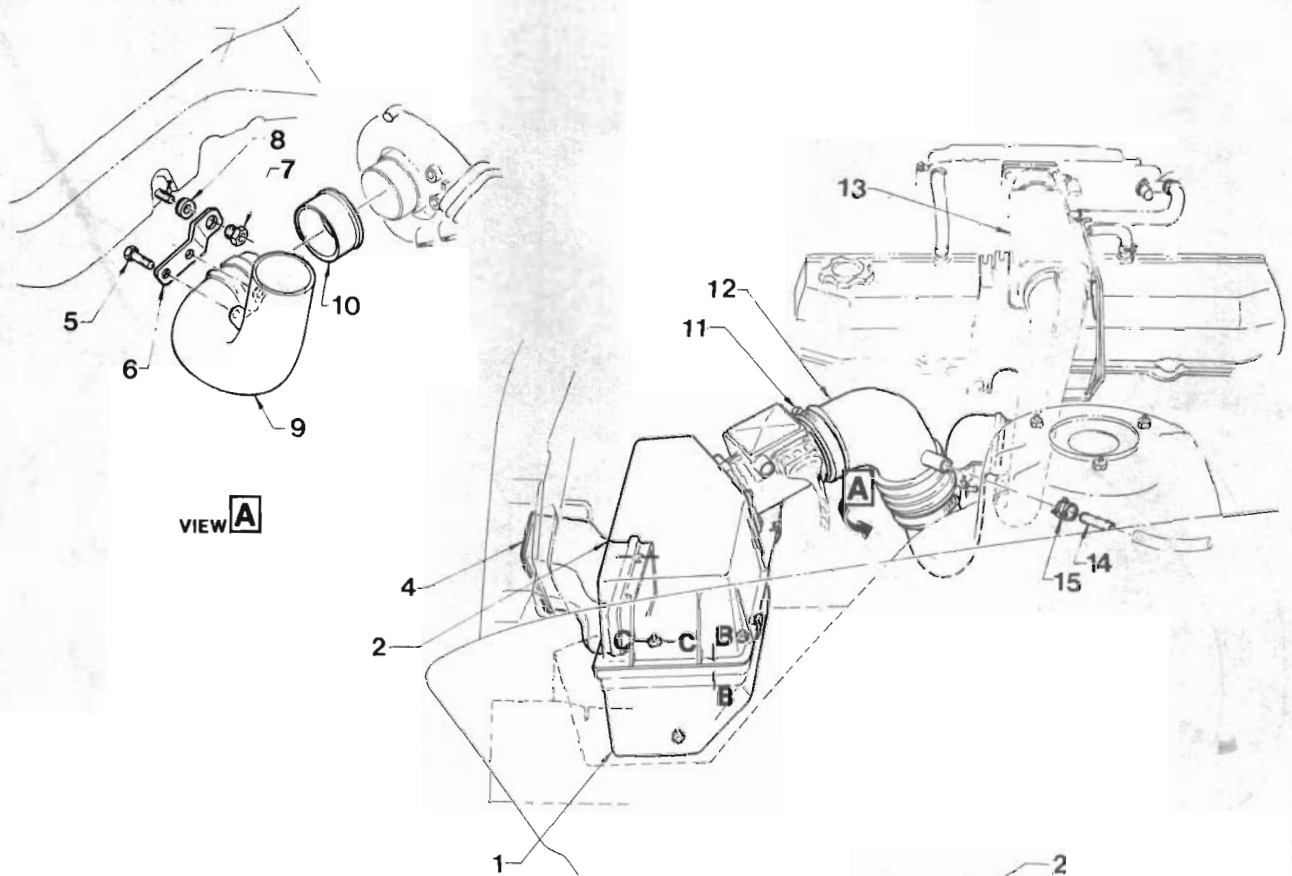
ILLUSTRATION OPPOSITE

REF. NO.	PART NAME	GROUP
1	TURBO CHARGER ASM.....	3.342
2	GASKET - Bolt to inlet & outlet pipes	3.358
3	BOLT - Water pipe connector	3.358
4	GASKET - Bolt to inlet pipe.....	3.358
5	PIPE ASM. - Water inlet.....	3.358
6	INSULATOR - Heat shield.....	3.374
7	SCREW - Insulator to turbocharger	3.374
8	CONNECTOR - Oil pan	3.358
9	CLAMP - Hose	3.358
10	HOSE - Turbocharger to oil pan connector	3.358
11	OUTLET - Oil return.....	3.358
12	GASKET - Oil outlet.....	3.358
13	GASKET - Turbocharger to manifold.....	3.358
14	STUD - Turbocharger to manifold.....	3.374
15	BOLT - Oil pipe connector.....	3.358
16	GASKET - Bolt to oil pipe.....	3.358
17	PIPE ASM. - Oil feed.....	3.358
18	GASKET - Pipe to turbocharger.....	3.358
19	PLATE - Turbocharger locking.....	3.374
20	NUT - Turbocharger stud	3.374
21	STUD - Exhaust pipe to turbocharger.....	3.613
22	CLAMP - Hose	3.374
23	Connector - Elbow.....	3.374
24	HOSE - Boost.....	3.374
25	VALVE ASM. - Intake by - pass.....	3.374
26	CLAMP - Hose air inlet duct - upper.....	3.374
27	DUCT ASM. - Air inlet.....	3.374
28	CLAMP - Air inlet duct - lower	3.374
29	HOSE - Air inlet duct - lower.....	3.374
30	BOLT - Bracket to engine.....	3.374
31	BRACKET - Air inlet duct.....	3.374
32	BOLT - Bracket to air inlet duct.....	3.374
33	HOSE - Air inlet duct - upper.....	3.374
34	CLAMP - Heater hose to engine.....	3.265
35	BOLT - Heater hose clamp.....	3.265
36	CLAMP - Hose	3.265
37	HOSE - Front connector to heater hose 3 way connector	
38	HOSE - Outlet pipe to intermediate pipe.....	3.358
39	PIPE - Water outlet turbocharger to hose.....	3.358
40	CONNECTOR - Water outlet - 3 way intermediate	3.358
41	BOLT - Water pipe connector	3.358
42	GASKET - Bolt to inlet & outlet pipes	3.358

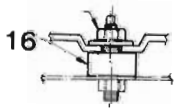


AIR CLEANER
6 CYLINDER ENGINE EXC. TURBO
VL SERIES

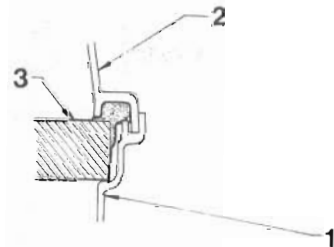
REF. NO.	PART NAME	GROUP	REF. NO.	PART NAME	GROUP
1	BODY - Lower.....	3.406	13	CLAMP - Hose to duct & throttle body.....	3.417
2	BODY - Upper.....	3.406	14	HOSE - Duct to throttle body.....	3.417
3	ELEMENT - Air cleaner.....	3.410	15	CLAMP - Auxiliary air hose.....	3.417
4	DUCT ASM. - Air inlet to air cleaner.....	3.417	16	HOSE - Breather outlet to air flow duct.....	1.762
5	BOLT - Bracket to support.....	3.417	17	HOSE - Auxiliary air.....	3.417
6	BOLT - Bracket to duct.....	3.417	18	CONNECTOR - Auxiliary air hose to duct.....	3.417
7	WASHER - Bracket to support.....	3.417	19	CLAMP - Hose to air flow sensor & duct.....	3.417
8	WASHER - Bracket to duct.....	3.417	20	CLIP - Body.....	3.406
9	BRACKET - Duct support.....	3.417	21	WASHER - Air cleaner to body.....	3.405
10	SENSOR ASM. - Air flow.....	3.318	22	NUT - Air cleaner to body.....	3.405
11	HOSE - Air flow sensor to duct.....	3.417	23	INSULATOR ASM. - Air cleaner to body.....	3.405
12	DUCT ASM. - Air cleaner to throttle body.....	3.417			



VIEW **A**



SECTION **C-C**

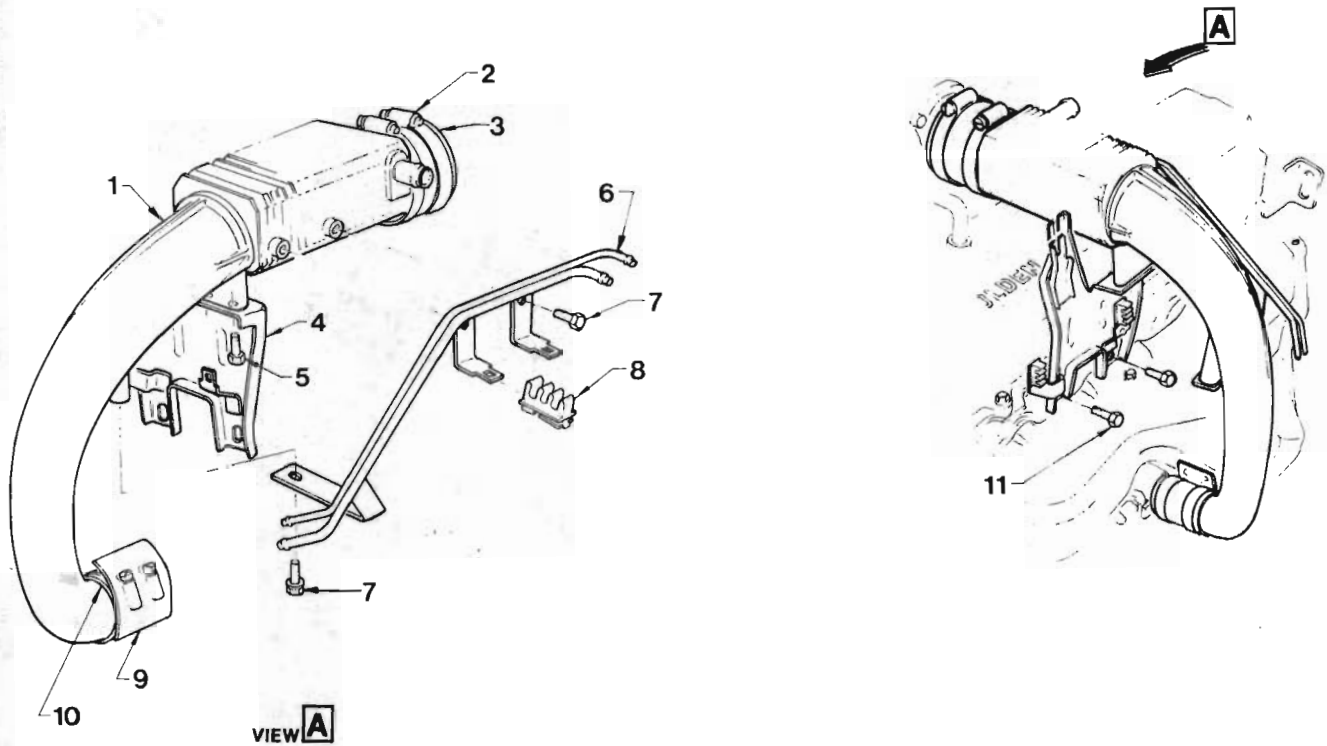


SECTION **B-B**

AIR CLEANER

**3.0 LITRE ENGINE WITH TURBO
VL SERIES**

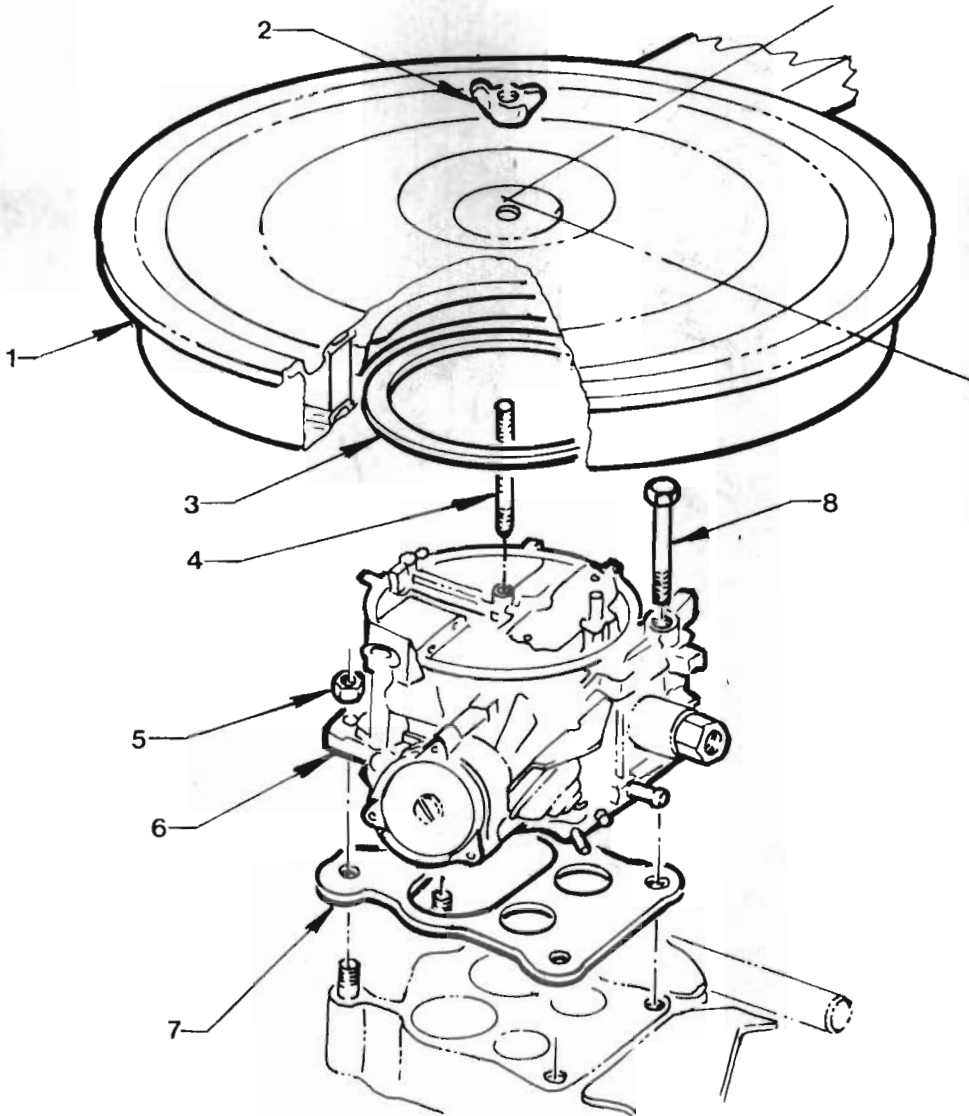
REF. NO.	PART NAME	GROUP
1	BODY - Lower	3.406
2	BODY - Upper	3.406
3	ELEMENT - Air cleaner	3.410
4	DUCT ASM. - Air inlet to air cleaner	3.417
5	SCREW - Bracket to duct	3.417
6	BRACKET - Duct to exhaust manifold	3.417
7	NUT - Duct to exhaust manifold	3.417
8	SPACER - Duct to exhaust manifold	3.417
9	DUCT ASM. - Turbo air inlet	3.417
10	SLEEVE - Air inlet duct to turbo-charger	3.417
11	CLAMP - Hose to sensor and duct	3.417
12	HOSE - Air flow sensor to duct	3.417
13	DUCT ASM. - Air inlet	3.374
14	CONNECTOR - Vacuum	3.417
15	CLAMP - Vacuum hose	3.417
16	INSULATOR ASM. - Air cleaner to body	3.405



INLET TUBE

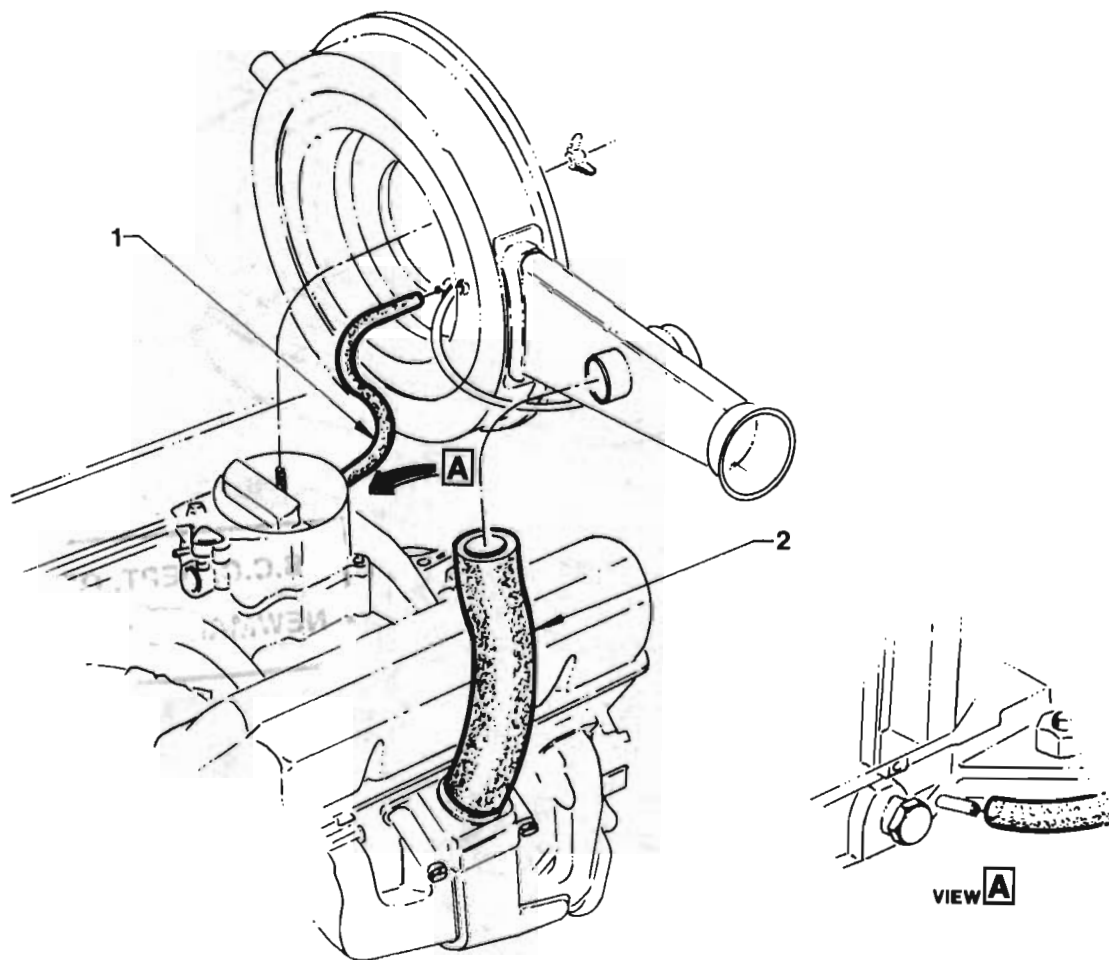
**3.0 LITRE ENGINE WITH TURBOCHARGER
VL SERIES**

REF. NO.	PART NAME	GROUP
1	DUCT ASM. - Air inlet.....	3.374
2	CLAMP - Hose air inlet duct - Upper.....	3.374
3	HOSE - Air inlet duct - Upper.....	3.374
4	BRACKET -Air inlet duct.....	3.374
5	BOLT - Bracket to inlet duct.....	3.374
6	PIPE & BRACKET ASM. - By-pass.....	3.374
7	BOLT - Pipe & bracket to inlet duct.....	3.374
8	CLAMP - Spark plug lead retaining.....	2.251
9	CLAMP - Hose air inlet duct - Lower.....	3.374
10	HOSE - Air inlet duct - Lower.....	3.374
11	BOLT - Bracket to engine.....	3.374



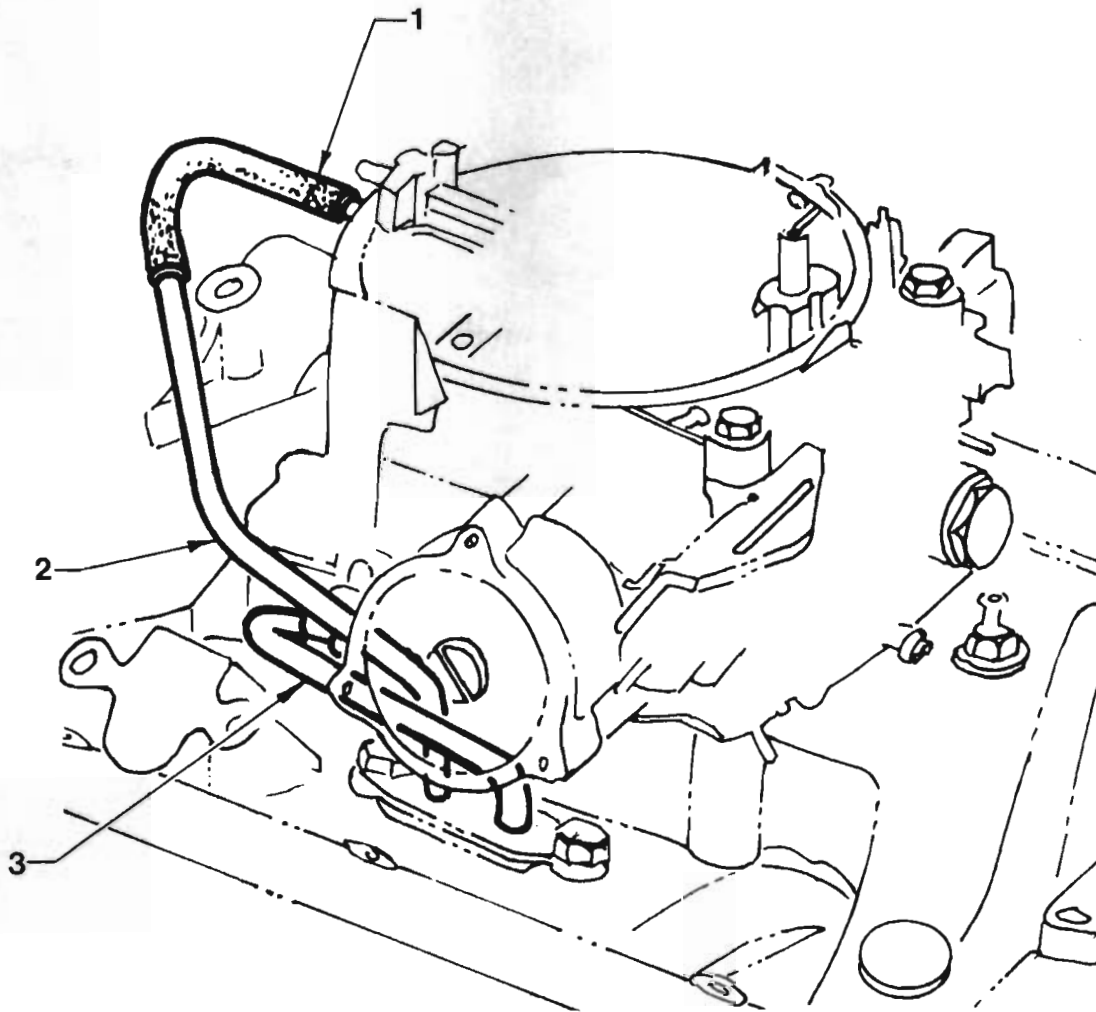
**CARBURETTOR & AIR CLEANER
8 CYLINDER ENGINE
VL SERIES**

REF. NO.	PART NAME	GROUP
1	AIR CLEANER & SILENCER ASM.	3.402
2	NUT - WING - Air cleaner to carburettor.....	3.403
3	GASKET - Air cleaner to carburettor.....	3.403
4	STUD - Air cleaner to carburettor.....	3.403
5	NUT - Carburettor to manifold.....	3.288
6	CARBURETTOR ASM.....	3.725
7	INSULATOR - Carburettor to inlet manifold.....	3.726
8	BOLT - Carburettor to manifold.....	3.288



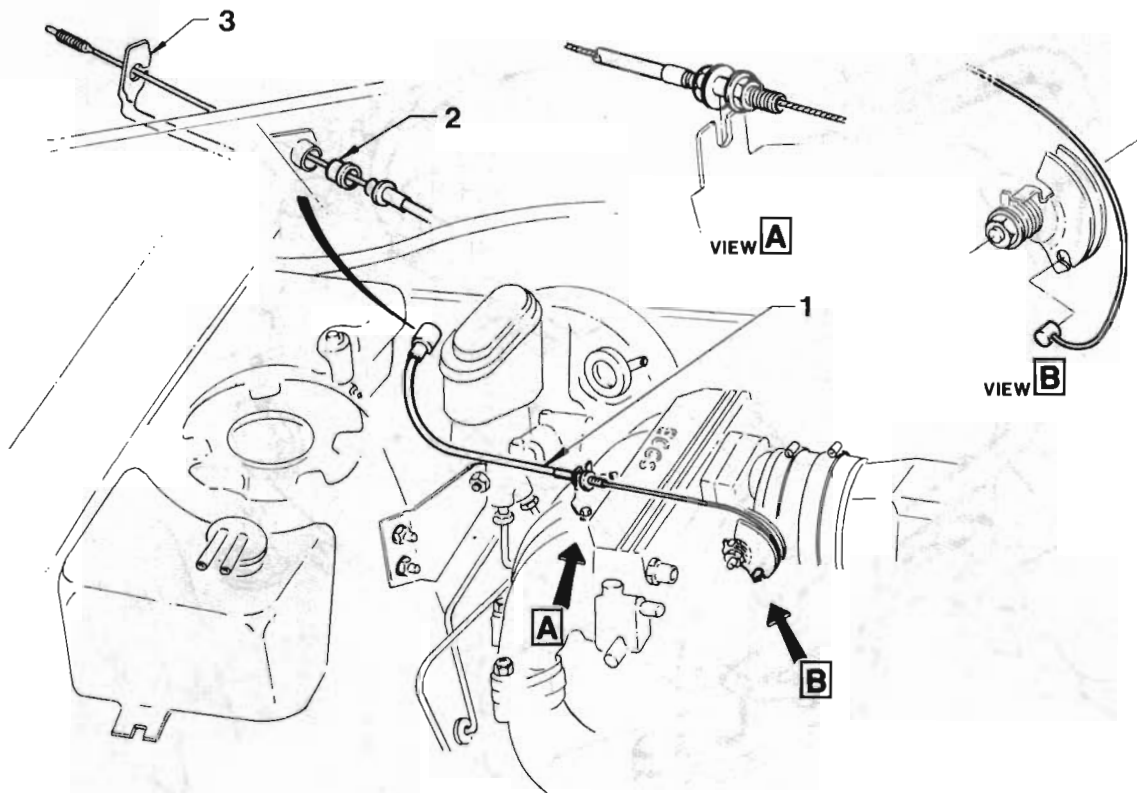
**AIR PRE HEAT SYSTEM
8 CYLINDER ENGINE
VL SERIES**

REF. NO.	PART NAME	GROUP
1	HOSE - Manifold to T.V.S.....	2.420
2	HOSE - Stove to air clener.....	3.417



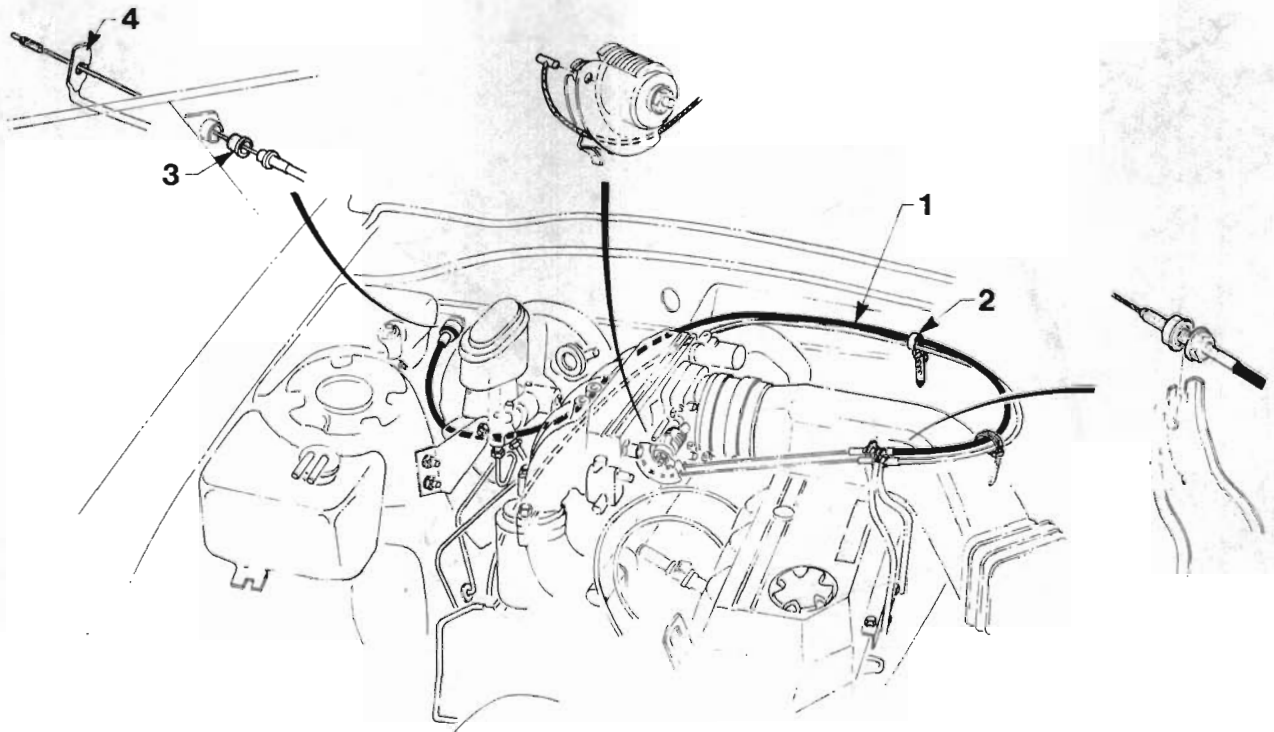
**AUTOMATIC CHOKE
8 CYLINDER ENGINE
VL SERIES**

REF. NO.	PART NAME	GROUP
1	HOSE - Pipe to carburettor.....	3.750
2	PIPE - Heat inlet.....	3.750
3	PIPE - ASM. - Choke hot air	3.750



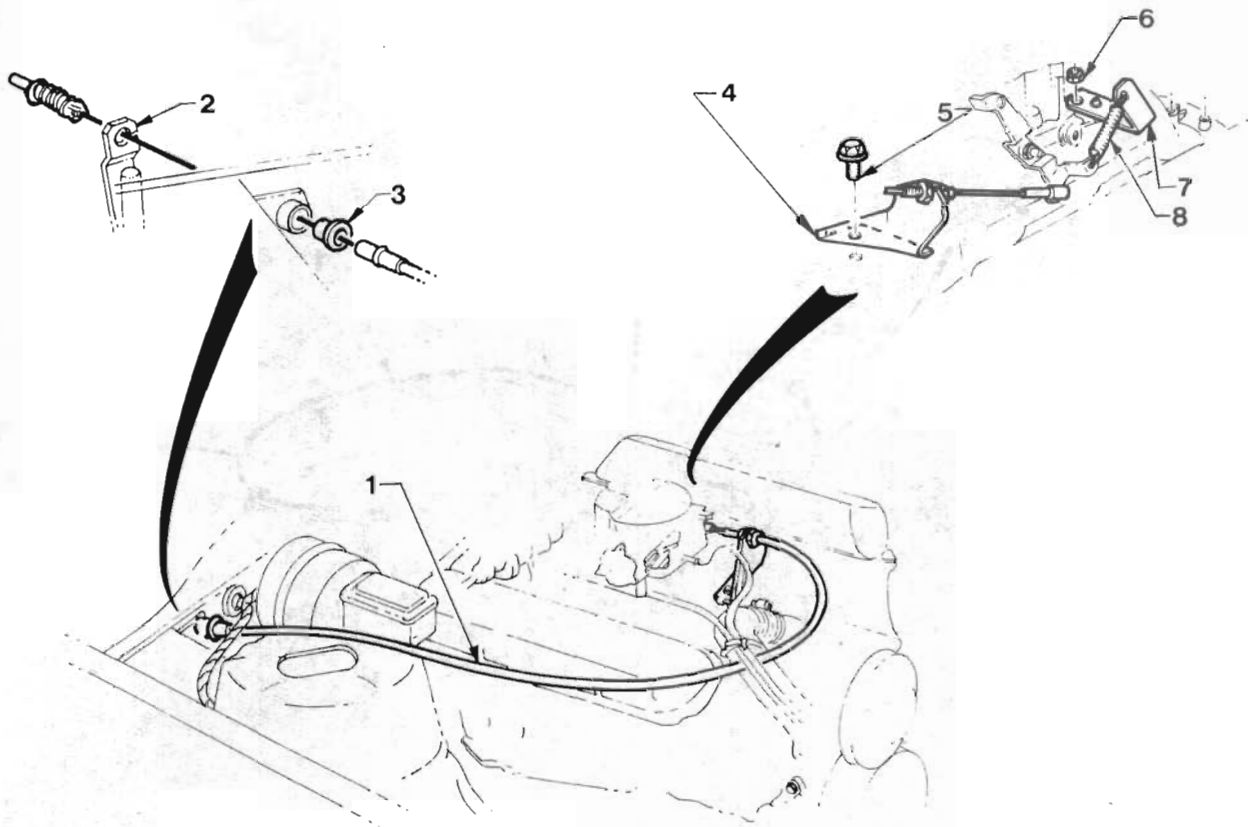
ACCELERATOR CABLE
2.0 LITRE ENGINE
VL SERIES

REF. NO.	PART NAME	GROUP
1	CABLE ASM. - Accelerator control.....	3.430
2	GROMMET - Cable to fire wall.....	3.430
3	LEVER & PIVOT ASM. - Accelerator control.....	3.431



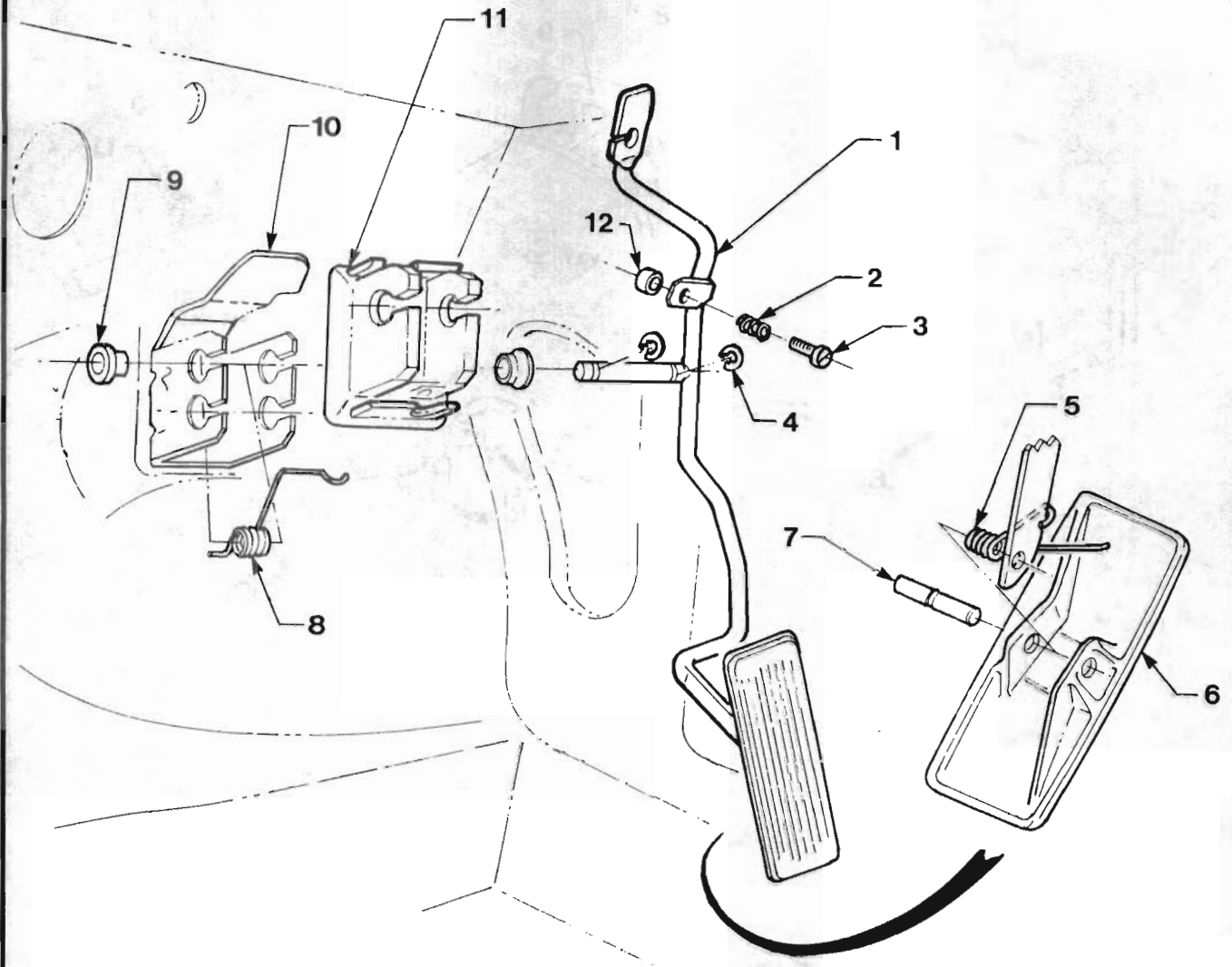
**ACCELERATOR CABLE
3.0 LITRE ENGINE
VL SERIES**

REF. NO.	PART NAME	GROUP
1	CABLE ASM. - Accelerator	3.430
2	STRAP - Cable retaining	3.430
3	GROMMET - Cable to fire wall	3.430
4	LEVER & PIVOT ASM. - Accelerator control.....	3.431



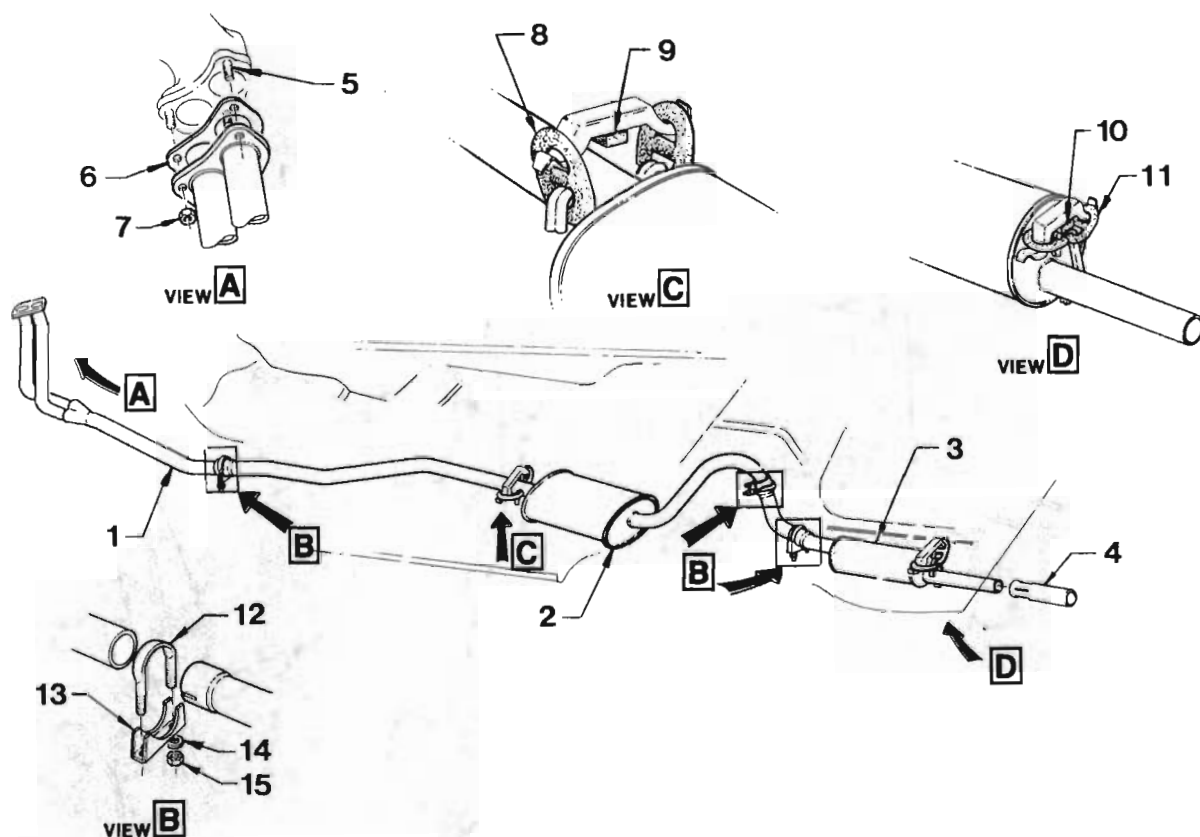
ACCELERATOR CABLE
8 CYLINDER ENGINE
VL SERIES

REF. NO.	PART NAME	GROUP
1	CABLE ASM. - Accelerator	3.430
2	LEVER & PIVOT ASM. - Accelerator control	3.430
3	GROMMET - Cable to firewall	3.430
4	BRACKET - Cable retaining	3.430
5	SCREW - Cable retaining bolt to manifold	3.430
6	NUT - Carburettor to manifold	3.288
7	BRACKET - Accelerator return spring	3.459
8	SPRING - Accelerator return	3.459



**ACCELERATOR PEDAL
VL SERIES**

REF. NO.	PART NAME	GROUP
1	LEVER & PIVOT ASM.	3.431
2	SPRING - Accelerator stop adjust	3.452
3	SCREW - Accelerator stop adjust.....	3.452
4	CIRCLIP - Lever & pivot to support.....	3.452
5	SPRING - Pedal tension.....	3.452
6	PEDAL ASM. - Accelerator	3.451
7	PIN - Pedal to lever	3.452
8	SPRING - Pedal lever return.....	3.459
9	BUSH - Accelerator lever pivot.....	3.452
10	SUPPORT - Lever & pivot asm.....	3.452
11	CAP - Accelerator pedal lever support	3.452
12	BUFFER - Accelerator stop adjust	3.452



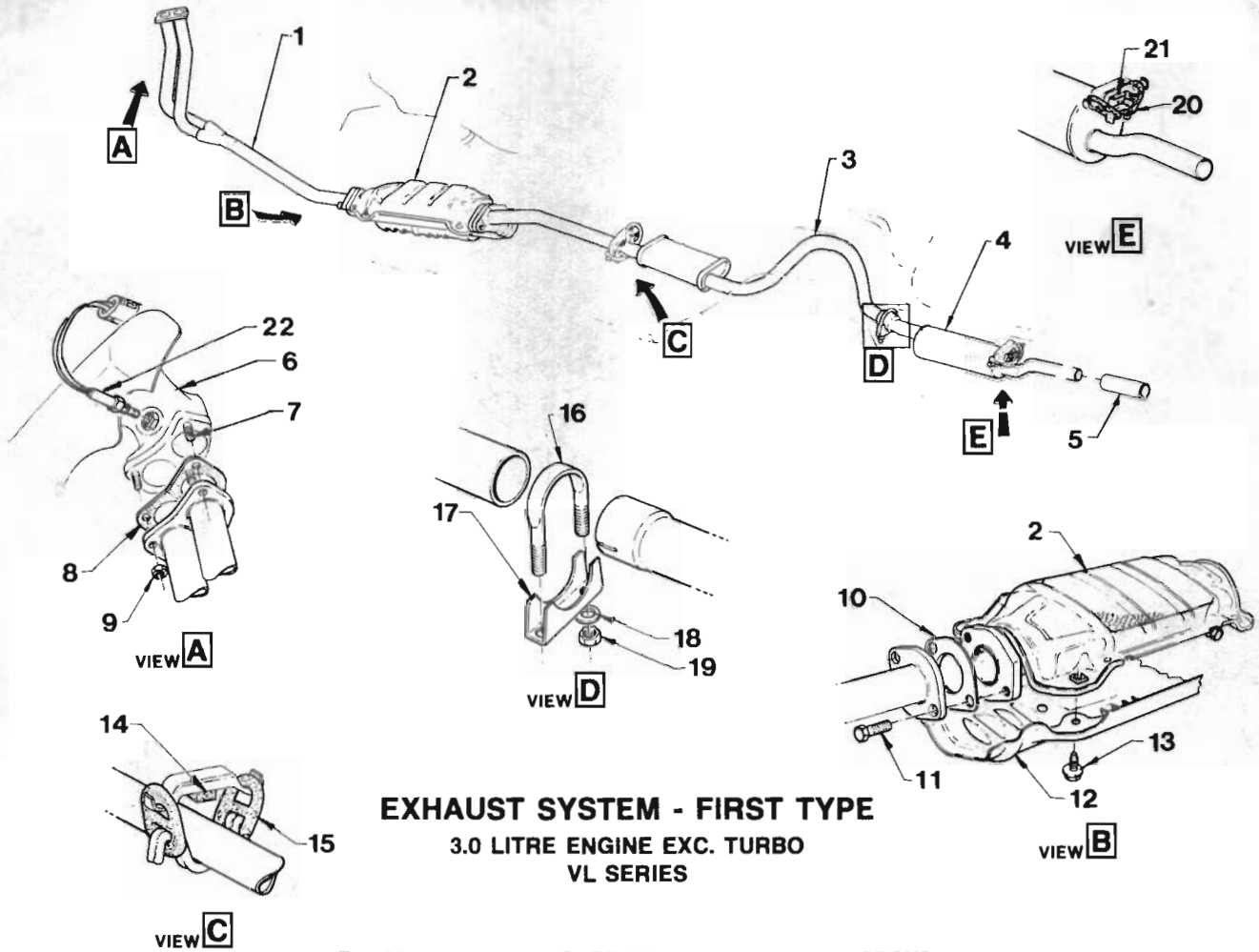
EXHAUST SYSTEM

**2.0 LITRE ENGINE
VL SERIES**

REF. NO.	PART NAME	GROUP
1	PIPE ASM. - Exhaust front.....	3.609
2	MUFFLER & PIPE ASM. - Intermediate exhaust.	3.701
3	MUFFLER & TAIL PIPE ASM. - Rear exhaust	3.701
4	EXTENSION - Chrome exhaust.....	3.705
5	STUD - Exhaust pipe to manifold	3.613
6	GASKET - Exhaust pipe to manifold.....	3.611
7	NUT - Exhaust pipe to manifold.....	3.613
8	BUMPER - Intermediate pipe.....	3.616
9	RING - Intermediate pipe support.....	3.616
10	BUMPER - Muffler & tail pipe support	3.706
11	RING - Muffler & tail pipe support.....	3.706
12	'U' BOLT - Intermediate pipe to muffler & tail pipe asm.....	3.613
13	CLAMP - 'U' Bolt, Intermediate pipe to muffler & tail pipe asm.....	3.613
14	WASHER - 'U' Bolt, Intermediate pipe to muffler & tail pipe asm.	3.613
15	NUT - 'U' Bolt, Intermediate pipe to muffler & tail pipe asm.	3.613

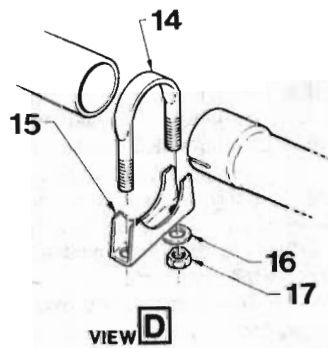
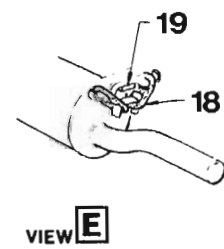
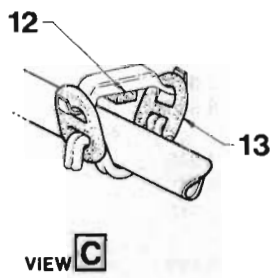
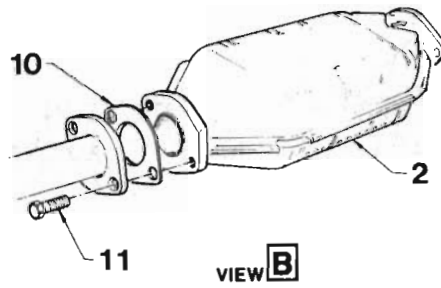
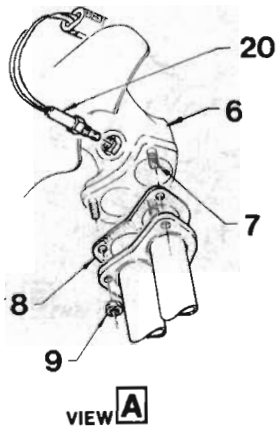
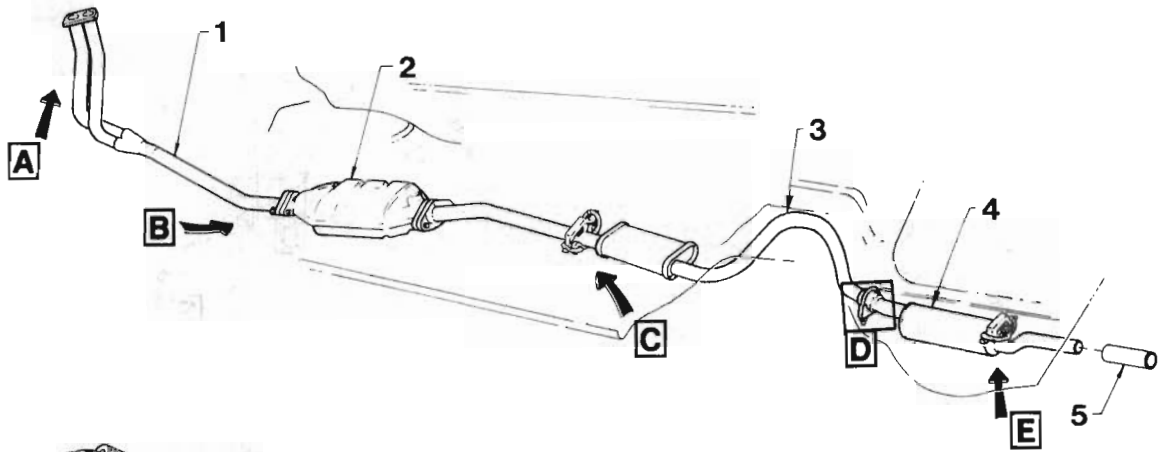


"V" SERIES PARTS CATALOGUE



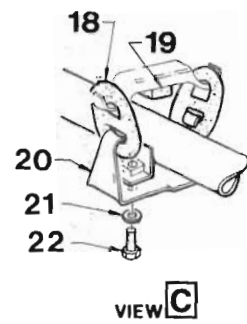
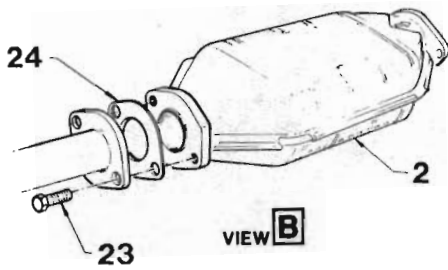
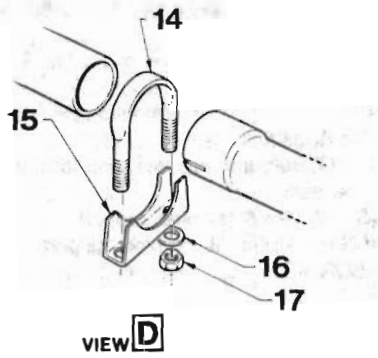
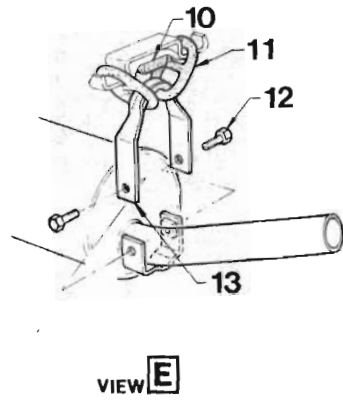
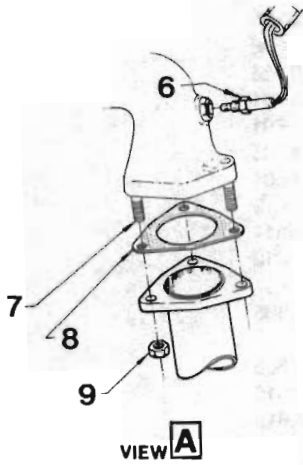
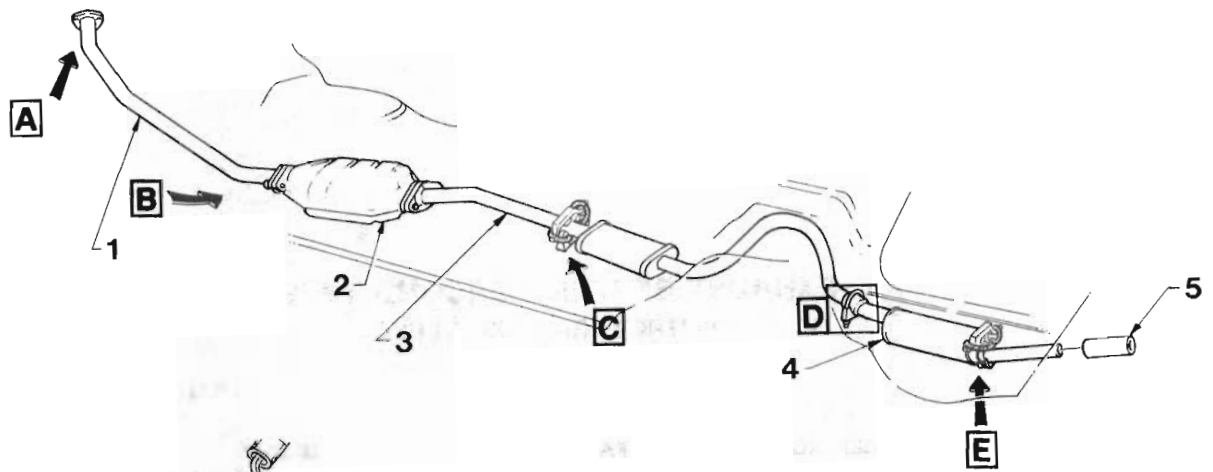
EXHAUST SYSTEM - FIRST TYPE
3.0 LITRE ENGINE EXC. TURBO
VL SERIES

REF. NO.	PART NAME	GROUP
1	PIPE ASM. - Exhaust front.....	3.609
2	CONVERTER ASM. - Exhaust catalystr.....	3.685
3	MUFFLER & PIPE ASM. - Intermediate exhaust.	3.701
4	MUFFLER & TAIL PIPE ASM. - Rear exhaust	3.701
5	EXTENSION - Chrome exhaust.....	3.705
6	MANIFOLD ASM. - Exhaust.....	3.601
7	STUD - Exhaust pipe to manifold.....	3.613
8	GASKET - Exhaust pipe to manifold.....	3.611
9	NUT - Exhaust pipe to manifold.....	3.613
10	GASKET - Exhaust catalytic converter to exhaust pipe	3.685
11	BOLT - Exhaust catalytic converter to exhaust pipe	3.685
12	SHIELD - Exhaust catalytic converter, Lower	3.690
13	BOLT - Lower shield to exhaust catalytic converter	3.690
14	BUMPER - Intermediate pipe.....	3.616
15	RING - Intermediate pipe support.....	3.616
16	'U' BOLT - Intermediate pipe to muffler & tail pipe asm.....	3.613
17	CLAMP - Intermediate pipe to muffler & tail pipe asm.....	3.613
18	WASHER - 'U' Bolt, Intermediate pipe to muffler & tail pipe asm.	3.613
19	NUT - 'U' Bolt, Intermediate pipe to muffler & tail pipe asm.	3.613
20	RING - Muffler & tail pipe support.....	3.706
21	BUMPER - Muffler & tail pipe support.....	3.706
22	SENSOR ASM. - Exhaust gas.....	3.685



**EXHAUST SYSTEM - SECOND TYPE****3.0 LITRE ENGINE EXC. TURBO
VL SERIES****ILLUSTRATION OPPOSITE**

REF. NO.	PART NAME	GROUP
1	PIPE ASM. - Exhaust front.....	3.609
2	CONVERTER ASM. - Exhaust catalyst.....	3.685
3	MUFFLER & PIPE ASM. - Intermediate exhaust.	3.701
4	MUFFLER & TAIL PIPE ASM. - Rear exhaust	3.701
5	EXTENSION - Chrome exhaust.....	3.705
6	MANIFOLD ASM. - Exhaust.....	3.601
7	STUD - Exhaust pipe to manifold	3.613
8	GASKET - Exhaust pipe to manifold.....	3.611
9	NUT - Exhaust pipe to manifold.....	3.613
10	GASKET - Exhaust catalytic converter to exhaust pipe	3.685
11	BOLT - Exhaust catalytic converter to exhaust pipe	3.685
12	BUMPER - Intermediate pipe.....	3.616
13	RING - Intermediate pipe support.....	3.616
14	'U' BOLT - Intermediate pipe to muffler & tail pipe asm.....	3.613
15	CLAMP - Intermediate pipe to muffler & tail pipe asm.....	3.613
16	WASHER - 'U' Bolt, Intermediate pipe to muffler & tail pipe asm.	3.613
17	NUT - 'U' Bolt, Intermediate pipe to muffler & tail pipe asm.....	3.613
18	RING - Muffler & tail pipe support.....	3.706
19	BUMPER - Muffler & tail pipe support.....	3.706
20	SENSOR ASM. - Exhaust gas.....	3.685



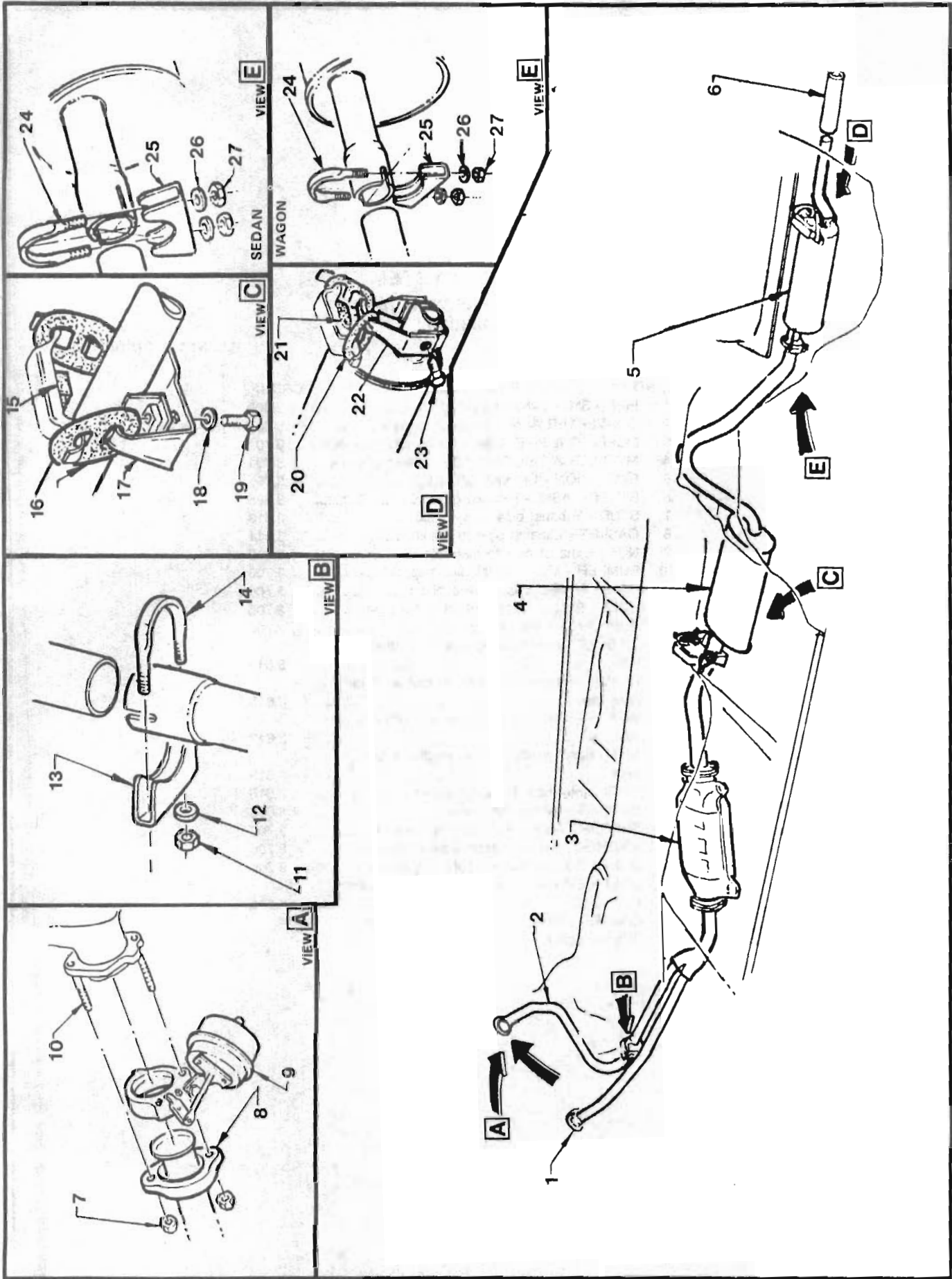


**EXHAUST SYSTEM
3.0 LITRE ENGINE WITH TURBO
VL SERIES**

ILLUSTRATION OPPOSITE

REF. NO.	PART NAME	GROUP
1	PIPE ASM. - Exhaust front.....	3.609
2	CONVERTER ASM. - Exhaust catalyst.....	3.685
3	MUFFLER & PIPE ASM. - Intermediate exhaust.	3.701
4	MUFFLER & TAIL PIPE ASM. - Rear exhaust	3.701
5	EXTENSION - Chrome exhaust.....	3.705
6	SENSOR ASM. - Exhaust gas.....	3.685
7	STUD - Exhaust pipe to manifold	3.613
8	GASKET - Exhaust pipe to manifold	3.611
9	NUT - Exhaust pipe to manifold.....	3.613
10	BUMPER - Muffler & tail pipe support.....	3.706
11	RING - Muffler & tail pipe support.....	3.706
12	BOLT - Exhaust rear support to tail pipe	3.706
13	SUPPORT - Exhaust rear.....	3.706
14	'U' BOLT - Intermediate pipe to muffler & tail pipe asm.....	3.613
15	CLAMP - Intermediate pipe to muffler & tail pipe asm.....	3.613
16	WASHER - Intermediate pipe to muffler & tail pipe asm.....	3.613
17	NUT - Intermediate pipe to muffler & tail pipe asm.	3.613
18	RING - Intermediate pipe support.....	3.616
19	BUMPER - Intermediate pipe.....	3.616
20	SUPPORT ASM. - Exhaust intermediate.....	3.706
21	WASHER - Exhaust intermediate support.....	3.706
22	BOLT - Exhaust intermediate support.....	3.706
23	BOLT - Exhaust catalytic converter to exhaust pipe	3.685
24	GASKET - Exhaust catalytic converter to exhaust pipe	3.685

"V" SERIES PARTS CATALOGUE

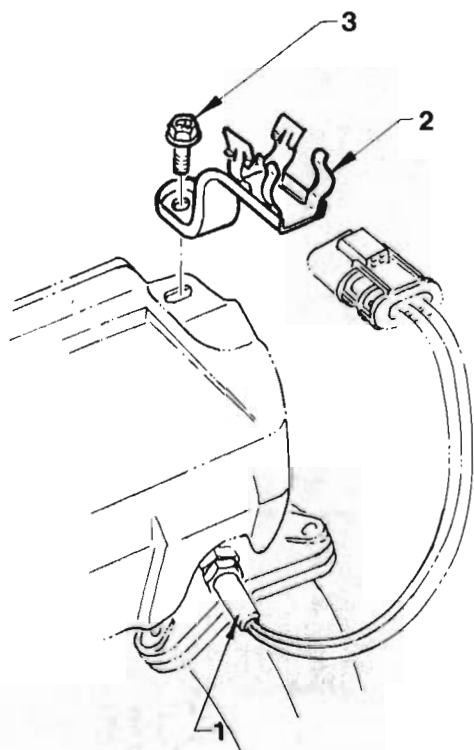




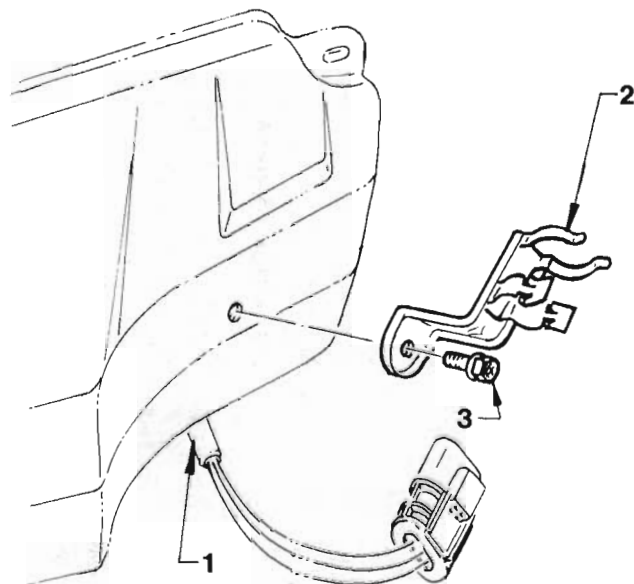
**EXHAUST SYSTEM
8 CYLINDER ENGINE
VL SERIES**

ILLUSTRATION OPPOSITE

REF. NO.	PART NAME	GROUP
1	PIPE ASM. - Exhaust front - LH.....	3.609
2	PIPE ASM. - Exhaust front - RH.....	3.609
3	CONVERTOR ASM. - Exhaust catalyst.....	3.685
4	MUFFLER & PIPE ASM. - Intermediate exhaust.....	3.701
5	MUFFLER & TAIL PIPE ASM. - Rear exhaust.....	3.701
6	EXTENSION - Chrome - Exhaust.....	3.705
7	NUT - Lock - Exhaust pipe to manifold.....	3.613
8	FLANGE - Exhaust pipe to manifold.....	3.610
9	VALVE & ACTUATOR ASM. - E.F.E.....	3.140
10	STUD - Exhaust pipe to manifold.....	3.613
11	NUT - Front left pipe to front right pipe.....	3.613
12	WASHER - Front left pipe to front right pipe.....	3.613
13	CLAMP - Front left pipe to front right pipe.....	3.613
14	'U' BOLT - Front left pipe to front right pipe.....	3.613
15	BUMPER - Muffler suspension.....	3.704
16	RING - Muffler support.....	3.704
17	SUPPORT ASM. - Exhaust intermediate.....	3.706
18	WASHER - Exhaust intermediate support.....	3.706
19	BOLT - Exhaust intermediate support.....	3.706
20	RING - Support tail pipe.....	3.706
21	BUMPER - Tail pipe.....	3.706
22	SUPPORT - Exhaust rear.....	3.706
23	BOLT - Exhaust rear support to tail pipe.....	3.706
24	'U' BOLT - Intermediate pipe to rear muffler.....	3.613
25	CLAMP - Intermediate pipe to rear muffler.....	3.613
26	WASHER - 'U' Bolt.....	3.613
27	NUT - 'U' Bolt.....	3.613



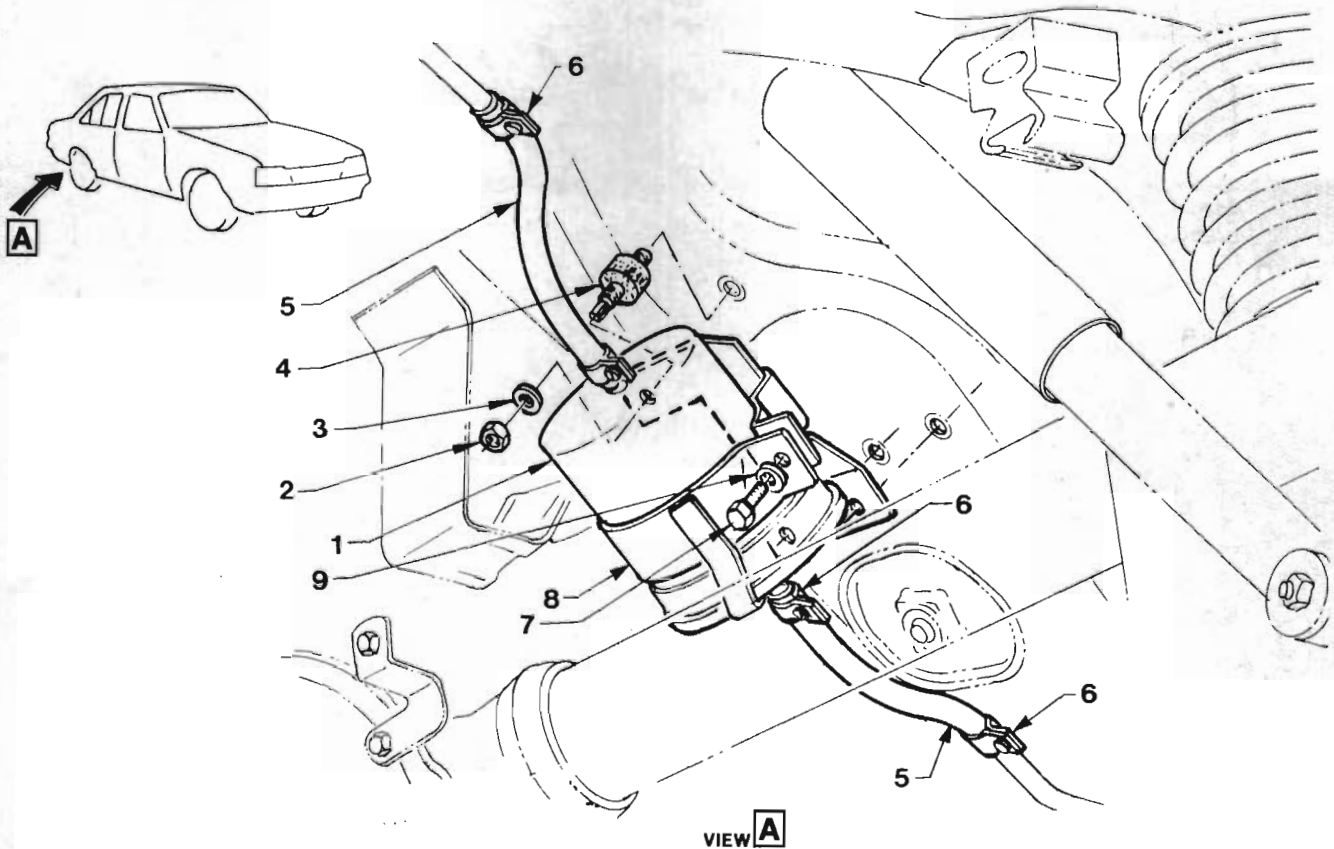
EXC. TURBO



WITH TURBO

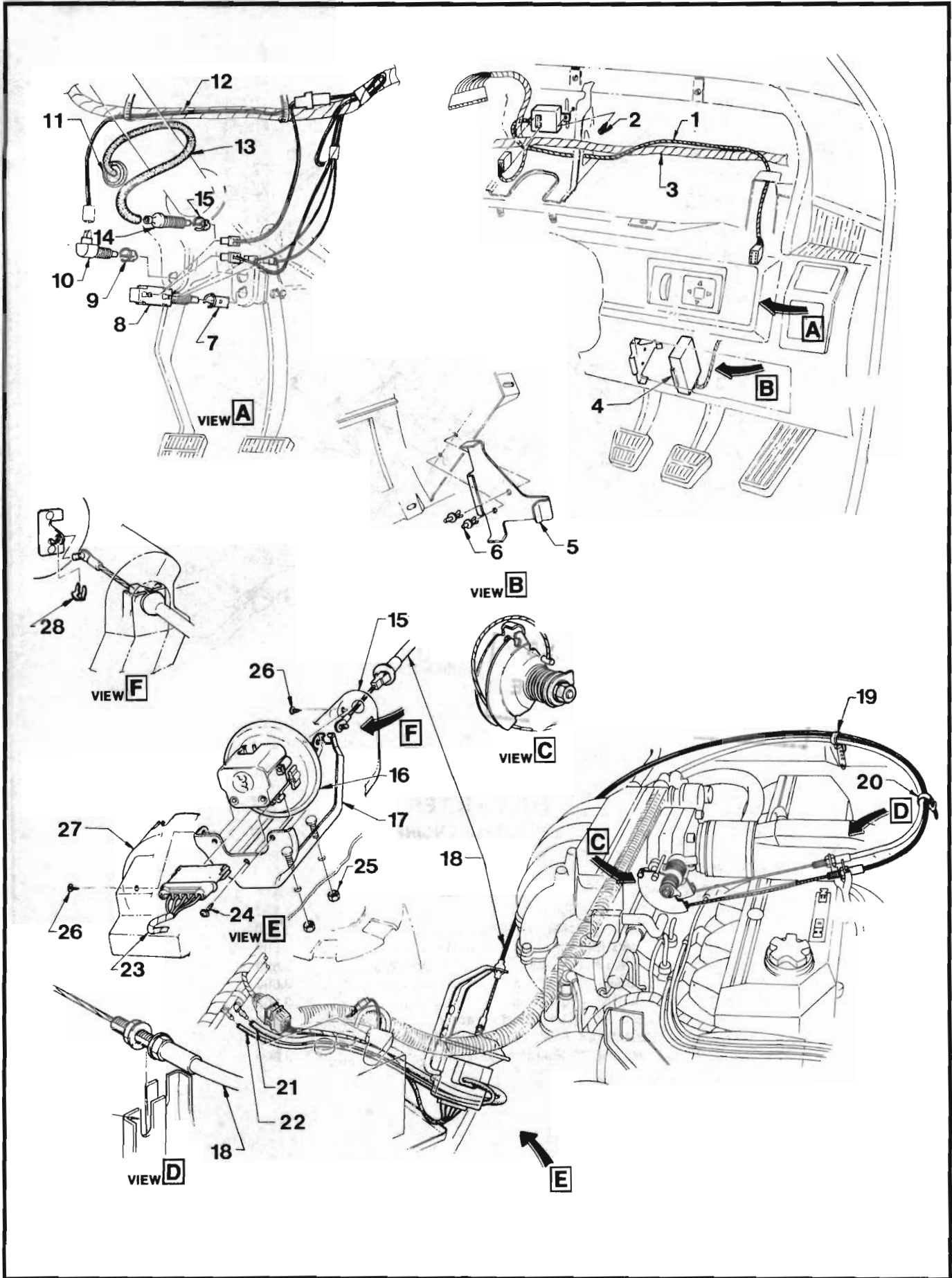
**EXHAUST GAS SENSOR
3.0 LITRE ENGINE
VL SERIES**

REF. NO.	PART NAME	GROUP
1	SENSOR ASM. - Exhaust gas.....	3.685
2	CLAMP - Sensor harness.....	3.685
3	SCREW - Sensor harness clamp to exhaust manifold heat shield.....	3.685



**FUEL FILTER
6 CYLINDER ENGINE
VL SERIES**

REF. NO.	PART NAME	GROUP
1	FILTER ASM. - Fuel.....	3.890
2	NUT - Bracket to insulator.....	3.890
3	WASHER - Bracket to insulator.....	3.890
4	INSULATOR ASM. - Fuel filter mounting.....	3.890
5	HOSE - Fuel filter to pipe.....	3.890
6	CLAMP - Fuel hoses.....	3.162
7	SCREW - Fuel filter to bracket.....	3.890
8	BRACKET ASM. - Fuel filter mounting.....	3.890
9	WASHER - Fuel filter to bracket.....	3.890





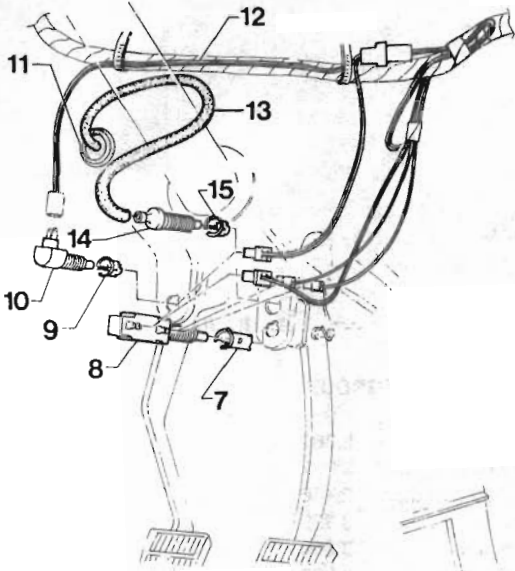
"V" SERIES PARTS CATALOGUE

CRUISE CONTROL 6 CYLINDER ENGINE VL SERIES

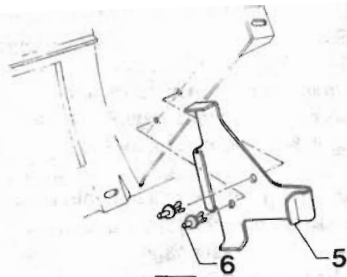
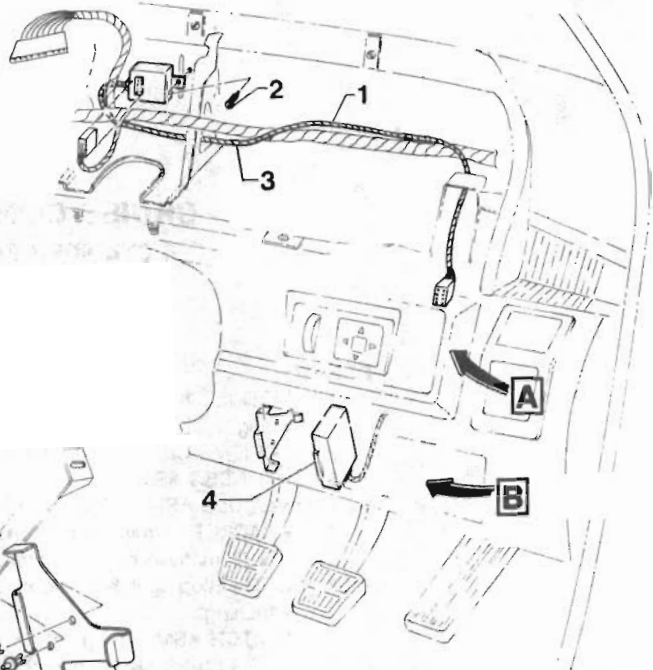
ILLUSTRATION OPPOSITE

REF. NO.	PART NAME	GROUP
1	MODULE & HARNESS ASM. - Cruise control wiring.....	3.887
2	SCREW - Cruise control module attaching.....	3.887
3	HARNESS ASM.	2.480
4	MODULE ASM. - Cruise control.....	3.880
5	BRACKET - Cruise control module mount.....	3.880
6	RIVET - Cruise control module mount bracket....	3.880
7	CLIP - Stop light & cruise control switch attaching.....	3.883
8	SWITCH ASM. - Stop light & cruise control.....	3.883
9	CLIP - Clutch switch mounting.....	3.883
10	SWITCH ASM. - Clutch disengage.....	3.883
11	GROMMET - Vacuum hose.....	3.886
12	HARNESS ASM. - Cruise control clutch switch...	3.887
13	HOSE ASM. - Elbow to vacuum release valve....	3.886
14	VALVE ASM. - Cruise control vacuum release....	3.886
15	SHIELD - Servo.....	3.885
16	SERVO ASM.....	3.885
17	BRACKET ASM. - Servo mounting.....	3.885
18	CABLE ASM. - Servo.....	3.880
19	STRAP - Cable retaining.....	3.880
20	STRAP - Servo cable.....	3.880
21	HOSE - Servo to elbow.....	3.886
22	HOSE - Servo to tee.....	3.886
23	HARNESS ASM. - Servo.....	3.887
24	SCREW - Servo to bracket.....	3.885
25	NUT - Servo mounting bracket.....	3.885
26	SCREW - Servo cover & shield to bracket.....	3.885
27	COVER - Servo.....	3.885
28	RETAINER - Servo cable.....	3.880

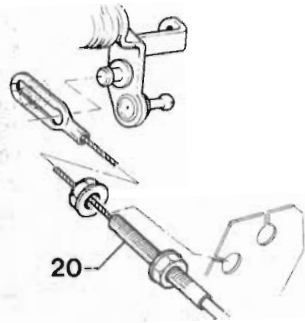
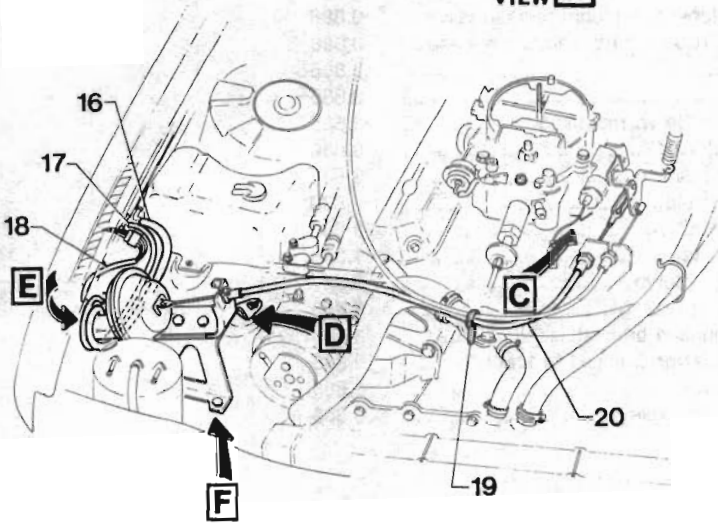
"V" SERIES PARTS CATALOGUE



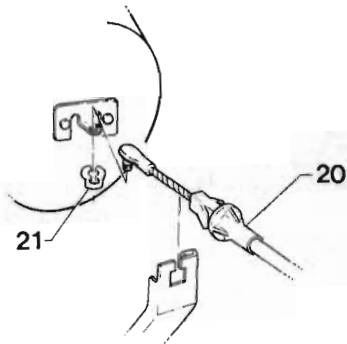
VIEW **A**



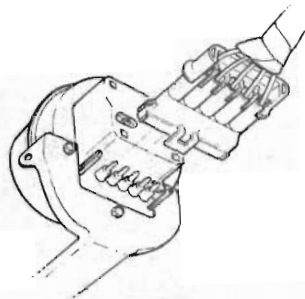
VIEW **B**



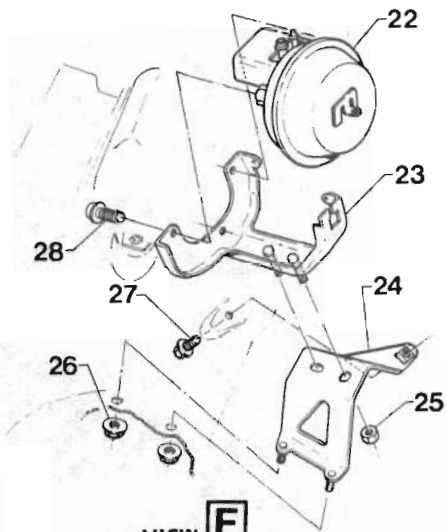
VIEW **C**



VIEW **D**



VIEW **E**



VIEW **F**



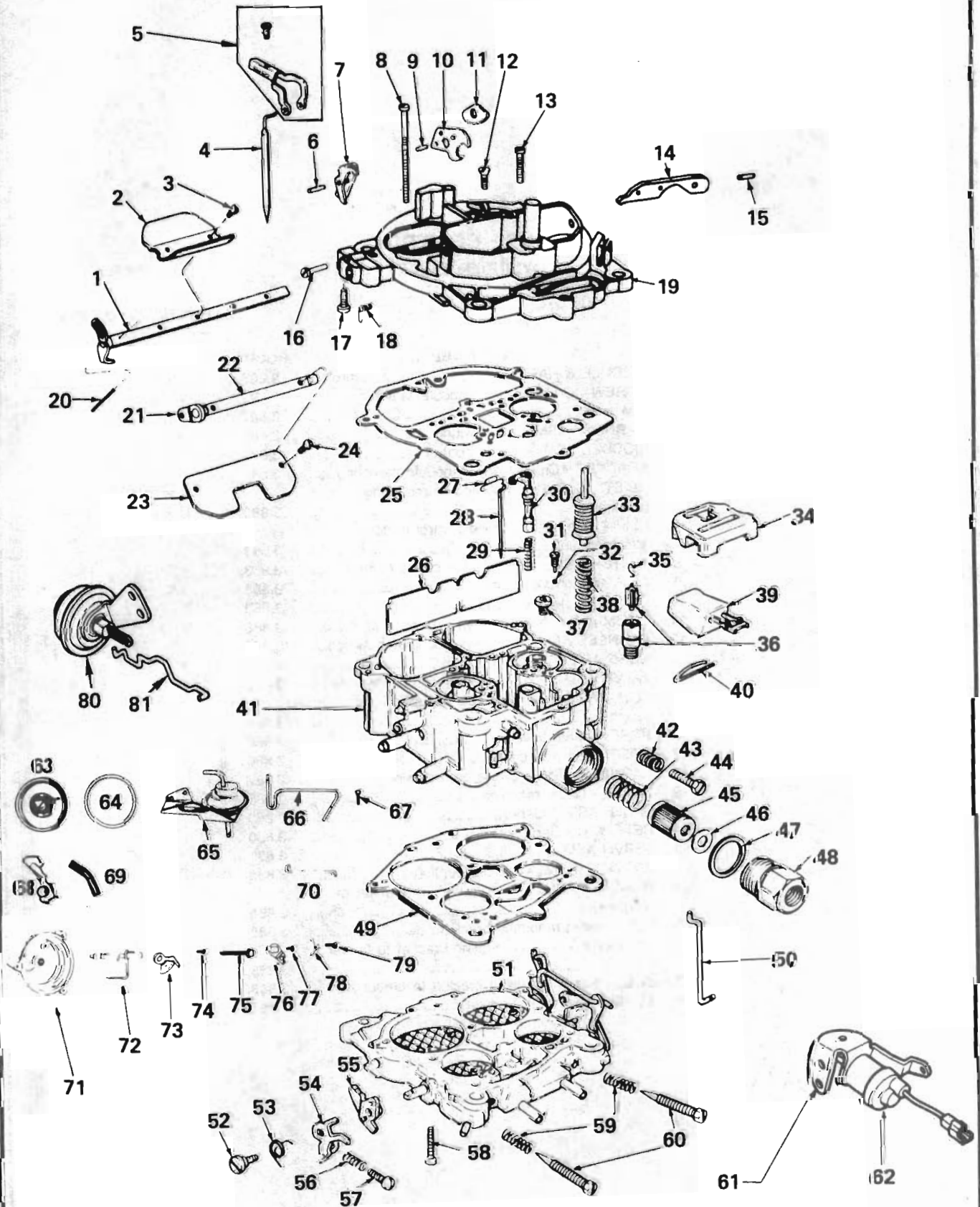
"V" SERIES PARTS CATALOGUE

CRUISE CONTROL 8 CYLINDER ENGINE VL SERIES

ILLUSTRATION OPPOSITE

REF. NO.	PART NAME	GROUP
1	MODULE & HARNESS ASM. - Cruise control.....	3.887
2	SCREW - Cruise control module switch attaching.....	3.887
3	HARNESS ASM. - Main wiring.....	2.480
4	MODULE ASM. - Cruise control.....	3.880
5	BRACKET - Cruise control module mounting.....	3.880
6	RIVET - Cruise control module mounting bracket.....	3.880
7	CLIP - Stop light & cruise control switch attaching.....	3.883
8	SWITCH ASM. - Stop light & cruise control.....	3.883
9	CLIP - Clutch switch mounting.....	3.883
10	SWITCH ASM. - Clutch disenge.....	3.883
11	GROMMET - Vacuum hose.....	3.886
12	HARNESS ASM - Cruise control clutch switch...	3.887
13	HOSE ASM. - Vacuum.....	3.886
14	VALVE ASM. - Cruise control vacuum relese....	3.886
15	CLIP - Vacuum release valve to stop light switch.....	3.886
16	HOSE - Servo to tee.....	3.886
17	HOSE - Servo to elbow.....	3.886
18	HARNESS ASM. - Cruise control wiring.....	3.887
19	STRAP - Cable retaining.....	3.883
20	CABLE ASM. - Servo.....	3.880
21	RETAINER - Servo cable.....	3.880
22	SERVO ASM.....	3.880
23	BRACKET ASM. - Servo mounting.....	3.885
24	BRACKET ASM. - Servo mounting bracket to fender skirt.....	3.885
25	NUT - Servo mounting bracket.....	3.885
26	NUT ASM. - Servo mounting bracket to fender skirt.....	3.885
27	BOLT - Servo mounting bracket to fender skirt..	3.885
28	SCREW - Servo to bracket.....	3.885

"V" SERIES PARTS CATALOGUE





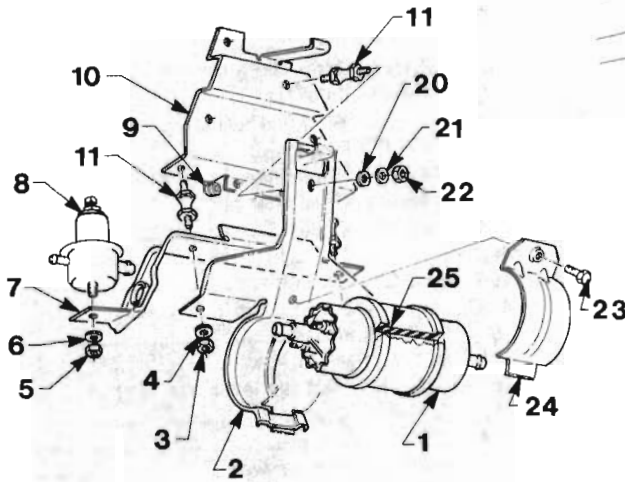
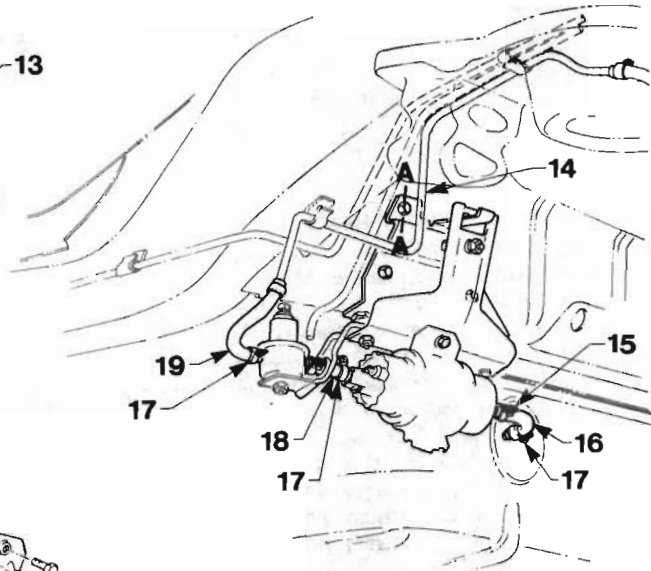
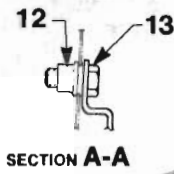
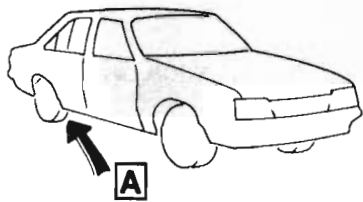
"V" SERIES PARTS CATALOGUE

CARBURETTOR FOUR BARREL TYPE - ROCHESTER 8 CYLINDER ENGINE VL SERIES

ILLUSTRATION OPPOSITE

REF. NO.	PART NAME	GROUP	REF. NO.	PART NAME	GROUP
1-81	CARBURETTOR ASM.....	3.725	38(A)	SPRING - Piston return.....	3.841
1	SHAFT ASM. - Secondary air valve.....	N.S.S.	39	FLOAT & LEVER ASM.....	3.745
2	VALVE - Secondary air.....	N.S.S.	40	PIN - Float fulcrum.....	3.747
3	SCREW - Secondary air valve.....	N.S.S.	41	BODY - Main.....	3.734
4(B)	ROD - Secondary metering.....	3.806	42	SPRING - Slow idle adjusting.....	3.761
5	HOLDER KIT - Secondary metering rod.....	3.806	43	SPRING - Fuel filter.....	3.740
6	PIN - Air valve lockout lever.....	3.757	44	SCREW - Slow idle adjusting.....	3.761
7	LEVER - Air valve lockout.....	3.757	45	FILTER - Fuel inlet.....	3.740
8	SCREW - Air horn.....	3.730	46(C)	GASKET - Fuel filter.....	3.740
9	PIN - Secondary metering rod lever.....	N.S.S.	47(A)	GASKET - Fuel filter nut.....	3.740
10	LEVER - Secondary metering rod.....	N.S.S.	48	NUT - Fuel filter.....	3.740
11(D)	CAM - Secondary metering rod.....	N.S.S.	49(A)
12	SCREW - Air horn.....	3.730	49(B)	GASKET - Main body.....	N.S.S.
13	SCREW - Air horn.....	3.730	49(C)
14	LEVER - Pump actuating.....	3.842	50	ROD - Pump.....	3.842
15(A)	PIN - Lever.....	N.S.S.	51	BODY ASM. - Throttle.....	3.729
15(B)	52	SCREW - Fast idle lever attaching.....	3.766
16(D)	SCREW - Air valve return spring.....	N.S.S.	53	SPRING - Cam lever.....	3.766
17(D)	SCREW - Secondary valve set.....	N.S.S.	54	LEVER - Fast idle.....	3.766
18(D)	SPRING - Secondary air valve return.....	N.S.S.	55	LEVER - Cam follower.....	3.766
19	AIR HORN ASM.....	3.730	56	SPRING - Fast idle screw.....	3.766
20	PIN - Secondary spring fulcrum.....	N.S.S.	57	SCREW - Fast idle.....	3.766
21	LEVER - Choke valve shaft.....	3.752	58	SCREW - Throttle body.....	3.741
22	SHAFT - Choke valve.....	3.752	59	SPRING - Idle needle valve.....	3.761
23	VALVE - Choke.....	3.751	60(A)	VALVE - Idle needle.....	3.761
24	SCREW - Valve attaching.....	3.751	61	BRACKET - Solenoid to carburettor.....	3.440
25(A)	62	SOLENOID - Anti dieseling.....	3.440
25(B)	GASKET - Air horn.....	3.738	63	COVER ASM. - Thermostat.....	3.750
25(C)	64	GASKET - Thermostat cover.....	3.750
26	BAFFLE - Float chamber.....	3.747	65	DIAPHRAGM & BRACKET ASM. - Choke kick.....	3.755
27	SPRING - Metering rod.....	3.810	66	ROD - Choke kick.....	3.755
28	ROD - Primary metering.....	3.806	67	SCREW - Diaphragm attaching.....	3.755
29	SPRING - Power piston.....	3.858	68	CAM - Fast idle.....	3.766
30	PISTON ASM. - Vacuum power.....	3.858	69	HOSE - Vacuum - Choke diaphragm kick.....	3.755
31	RETAINER - Discharge ball.....	3.825	70	ROD - Choke.....	3.752
32(A)	BALL - Discharge.....	3.825	71	HOUSING KIT - Choke.....	3.750
32(B)	72	SHAFT & LEVER ASM. - Choke thermostat.....	3.752
33(A)	PISTON ASM. - Pump.....	3.838	73	LEVER - Thermostat.....	3.752
33(B)	74	SCREW - Choke lever.....	3.752
34	INSERT - Main body.....	3.734	75	SCREW - Choke housing to float bowl.....	3.750
35(A)	CLIP - Pull.....	3.814	76	LEVER - Intermediate.....	3.752
35(B)	3.814	77	SCREW - Thermostat lever.....	3.752
36(A)	78	RETAINER - Thermostat cover.....	3.750
36(B)	VALVE & SEAT ASM. - Float needle.....	3.814	79	SCREW - Thermostat cover.....	3.750
36(C)	80	DIAPHRAGM - Auxiliary.....	3.755
37(A)	JET - Main.....	3.792	81	ROD - Auxiliary vacuum break.....	N.S.S.

NOTE:- (A Parts are included in Major Overhaul Kit. Refer Group 3.725
 (B Parts are included in Minor Overhaul Kit. Refer Group 3.725
 (C Parts are included in Gasket Kit. Refer Group 3.724
 (D Parts are included in Spring & Cam Kit. Refer Group 3.757

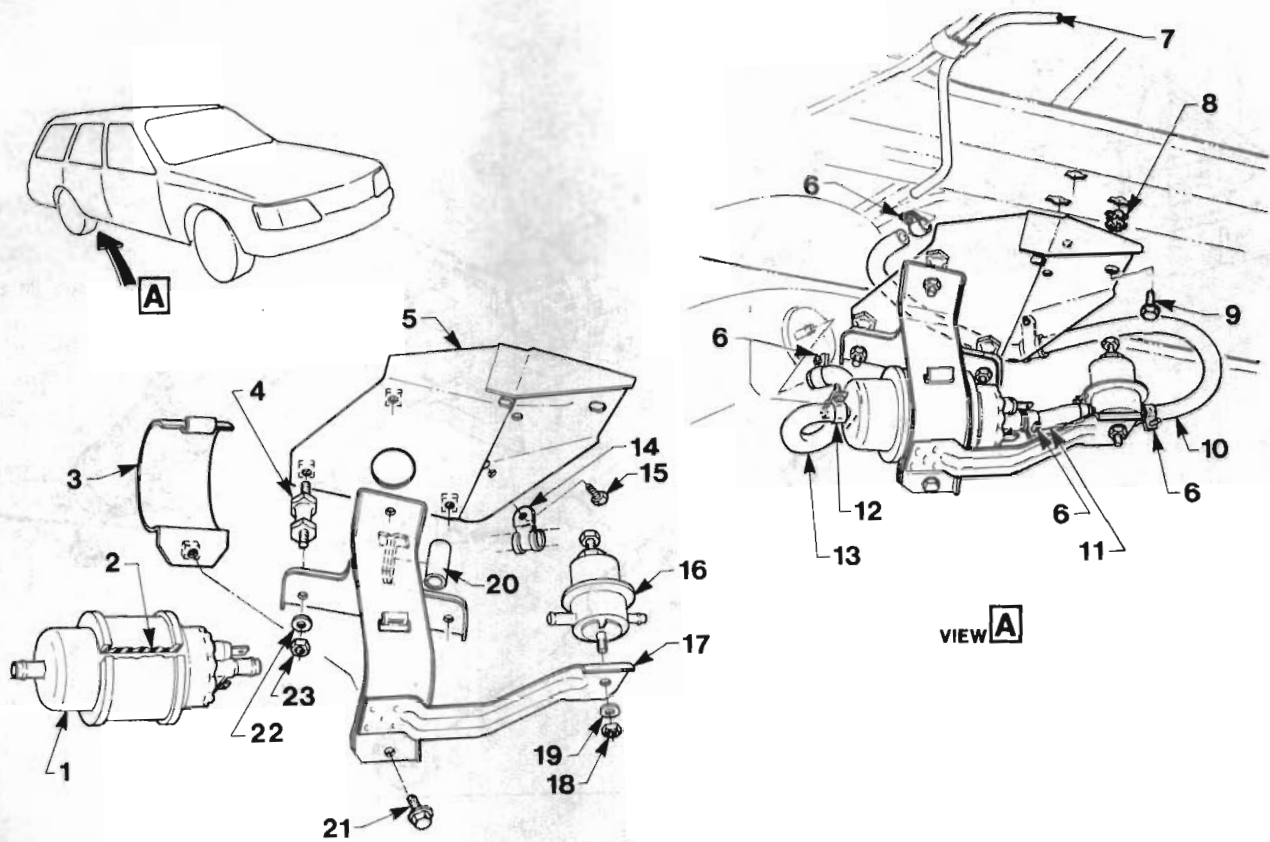


**FUEL PUMP - EXTERNAL
SEDAN WITH 6 CYLINDER ENGINE
VL SERIES**

REF. NO.	PART NAME	GROUP
1	PUMP ASM. - Fuel	3.900
2	BRACKET - Fuel pump to support	3.901
3	NUT - Bracket to insulator	3.901
4	WASHER - Bracket to insulator	3.901
5	NUT - Damper & accumulator to bracket.....	3.164
6	WASHER - Damper & accumulator to bracket....	3.164
7	BRACKET - Damper & accumulator support	3.164
8	DAMPER & ACCUMULATOR ASM. - Fuel.....	3.164
9	GROMMET - Fuel pump bracket damping	3.901
10	SUPPORT - Fuel pump bracket.....	3.901
11	INSULATOR ASM. - Fuel pump bracket to support.....	3.901
12	NUT - Support to crossmember	3.901
13	SCREW - Support to crossmember	3.901
14	PIPE - Fuel damper to filter	3.163
15	CLAMP - Hose to fuel pump	3.162
16	HOSE - Fuel tank to fuel pump	3.163
17	CLAMP - Fuel hoses.....	3.162
18	HOSE - Fuel pump to fuel damper.....	3.163
19	HOSE - Fuel damper to pipe.....	3.163
20	WASHER - Flat, Bracket to insulator	3.901
21	WASHER - Lock, Bracket to insulator.....	3.901
22	NUT - Bracket to insulator	3.901
23	SCREW - Fuel pump clamp.....	3.901
24	CLAMP ASM. - Fuel pump.....	3.901
25	INSULATOR - Fuel pump to bracket.....	3.901

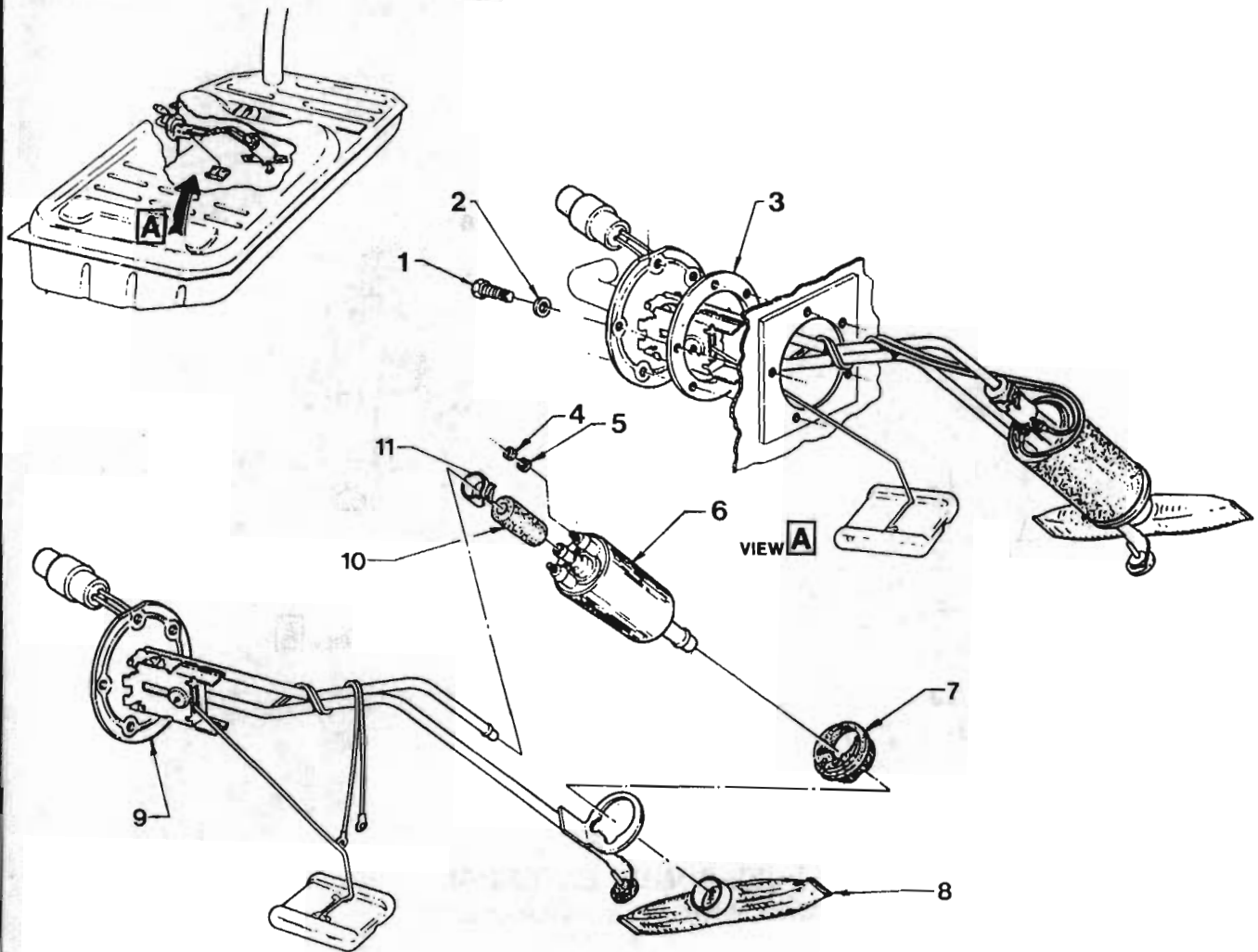


"V" SERIES PARTS CATALOGUE



**FUEL PUMP - EXTERNAL
WAGON WITH 6 CYLINDER ENGINE
VL SERIES**

REF. NO.	PART NAME	GROUP
1	PUMP ASM. - Fuel.....	3.900
2	INSULATOR - Fuel pump to bracket.....	3.901
3	CLAMP ASM. - Fuel pump.....	3.901
4	INSULATOR ASM. - Fuel pump bracket to support.....	3.901
5	BRIDGE ASM. - Fuel pump.....	3.901
6	CLAMP - Fuel hoses.....	3.162
7	PIPE - Fuel damper to filter.....	3.163
8	NUT - Bridge asm. to rear crossmember.....	3.901
9	BOLT - Bridge asm. to rear crossmember.....	3.901
10	HOSE - Fuel damper to pipe.....	3.163
11	HOSE - Fuel pump to fuel damper.....	3.163
12	CLAMP - Hose to pump.....	3.162
13	HOSE - Fuel tank to fuel pump.....	3.163
14	CLAMP ASM. - Hose to bridge asm.....	3.901
15	SCREW - Hose clamp to bridge asm.....	3.901
16	DAMPER & ACCUMULATOR ASM. - Fuel.....	3.164
17	BRACKET - Fuel pump support.....	3.901
18	NUT - Damper & accumulator to bracket.....	3.164
19	WASHER - Damper & accumulator to bracket....	3.164
20	INSULATOR - Fuel pump stop.....	3.901
21	SCREW - Fuel pump clamp.....	3.901
22	WASHER - Bracket to insulator.....	3.901
23	NUT - Bracket to insulator.....	3.901

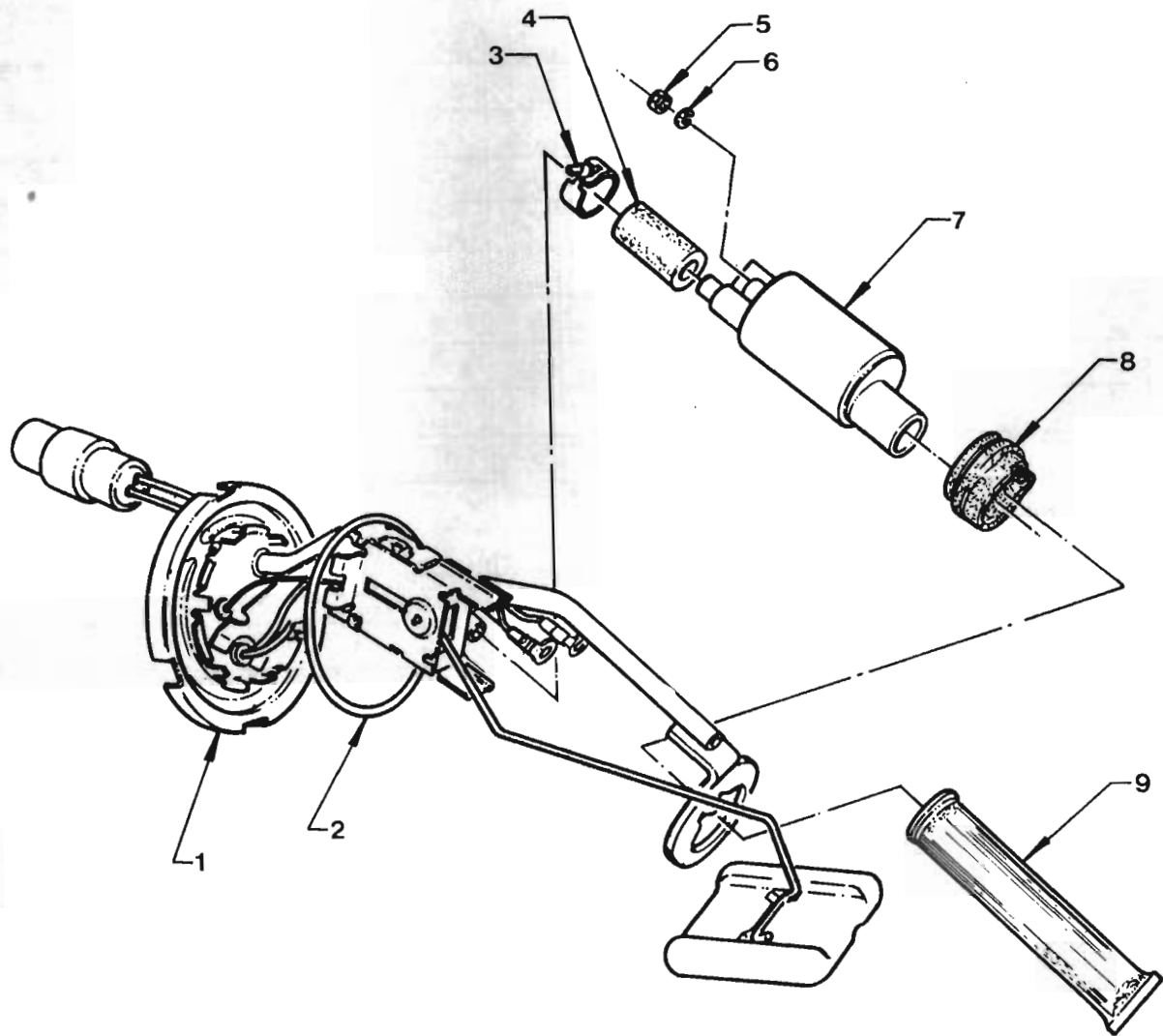


FUEL PUMP & SENDER - FUEL TANK
6 CYLINDER ENGINE
VL SERIES

REF. NO.	PART NAME	GROUP
1	SCREW - Sender to fuel tank.....	3.112
2	WASHER - Sender to fuel tank.....	3.112
3	SEAL - Fuel tank sender.....	3.112
4	NUT - Lead to pump.....	3.900
5	WASHER - Lead to pump.....	3.900
6	PUMP ASM. - Electric, Fuel tank.....	3.900
7	ISOLATOR - Pump to fuel sender, Strainer end.	3.901
8	STRAINER.....	3.110
9	SENDER ASM. - Fuel tank level.....	3.107
10	HOSE - Pump to fuel pipe.....	3.901
11	CLAMP - Pump hose to fuel pipe.....	3.901



"V" SERIES PARTS CATALOGUE



FUEL SENDER & PUMP ASM.
8 CYLINDER ENGINE
VL SERIES

REF. NO.	PART NAME	GROUP
1-9	SENDER & PUMP ASM.	3.900
1	SENDER - Fuel	3.107
2	SEAL - Fuel tank sender.....	3.112
3	CLAMP - Pump hose to fuel pipe.....	3.901
4	HOSE - Pump to fuel pipe	3.901
5	NUT - Lead to pump.....	3.900
6	WASHER - Lead to pump.....	3.900
7	PUMP ASM. - Electric.....	3.900
8	INSULATOR - Fuel pump to sender strainer end	3.901
9	STRAINER - Fuel pick-up.....	3.112



GROUP

4.000

TRANSMISSION



TRANSMISSION INDEX

TRANSMISSION ASSEMBLIES AND PARTS ARE LISTED AS FOLLOWS:-

SECTION 1. MANUAL TRANSMISSION ASSEMBLY

- FIVE SPEED
- FITTED IN VEHICLES EQUIPPED WITH 6 CYLINDER ENGINES

TRANSMISSION CODE **J**

PAGE EDGE CODE



SECTION 2. AUTOMATIC TRANSMISSION ASSEMBLY

- 4 SPEED WITH CONVERTER CLUTCH & ELECTRONIC CONTROL
- FITTED IN VEHICLES EQUIPPED WITH 6 CYLINDER ENGINES

TRANSMISSION CODE **R**

PAGE EDGE CODE

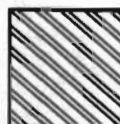


SECTION 3. AUTOMATIC 'TRIMATIC' TRANSMISSION ASSEMBLY

- 3 SPEED
- FITTED IN VEHICLES EQUIPPED WITH 8 CYLINDER ENGINES

TRANSMISSION CODE **U**

PAGE EDGE CODE

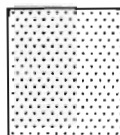


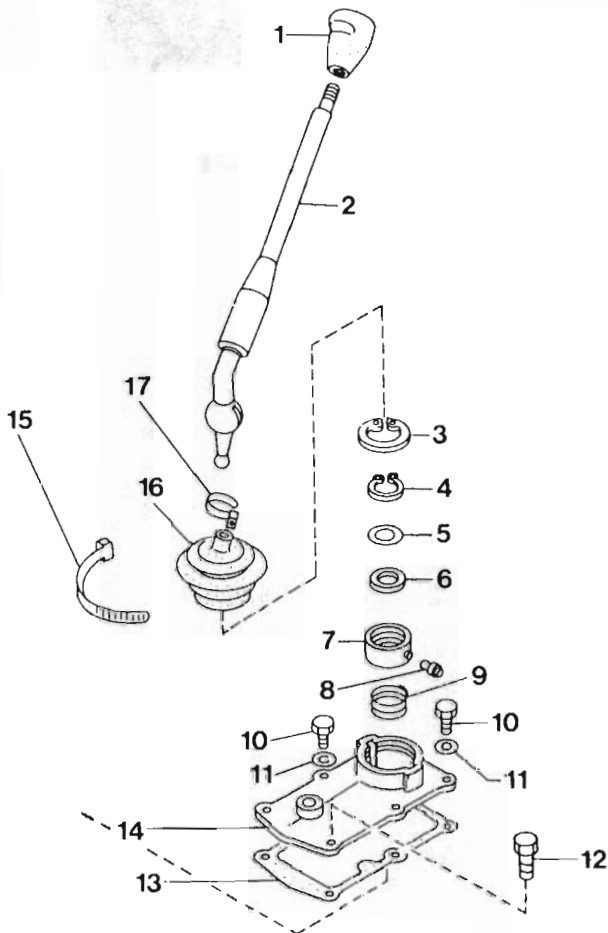
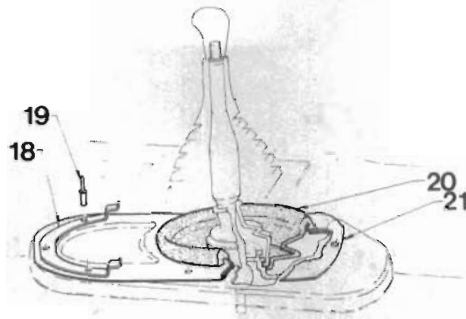
SECTION 4. MANUAL TRANSMISSION ASSEMBLY

- 5 SPEED
- FITTED IN VEHICLES EQUIPPED WITH 8 CYLINDER ENGINES -
- P. O. A9L

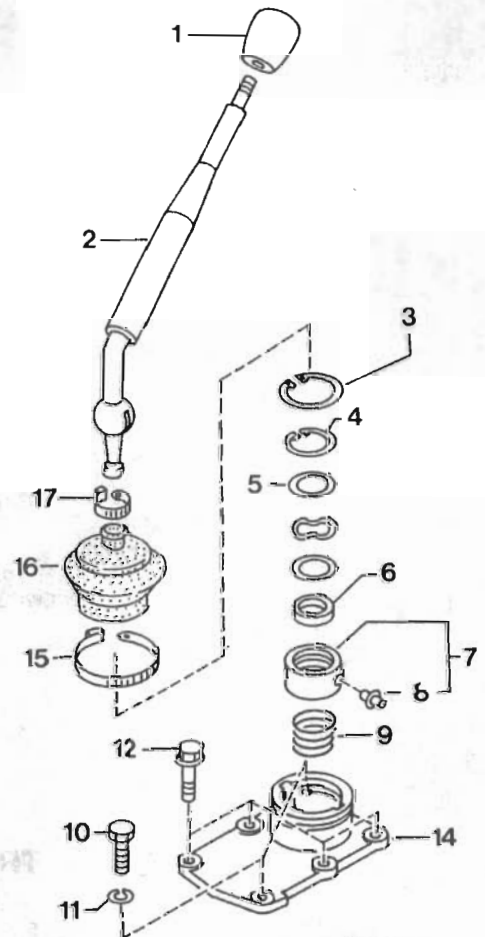
TRANSMISSION CODE **Y**

PAGE EDGE CODE





EXC. TURBO

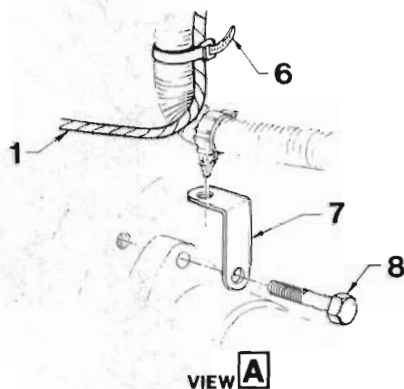
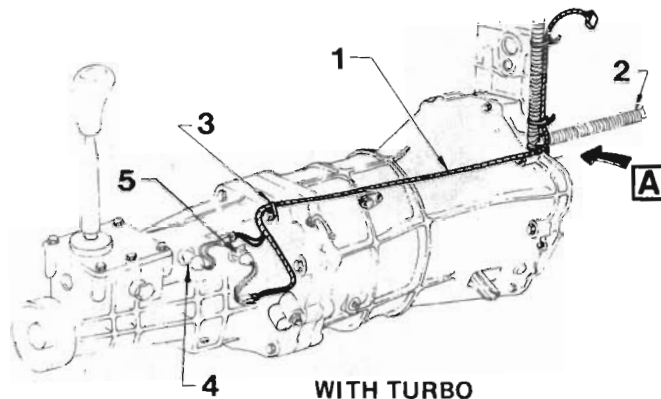
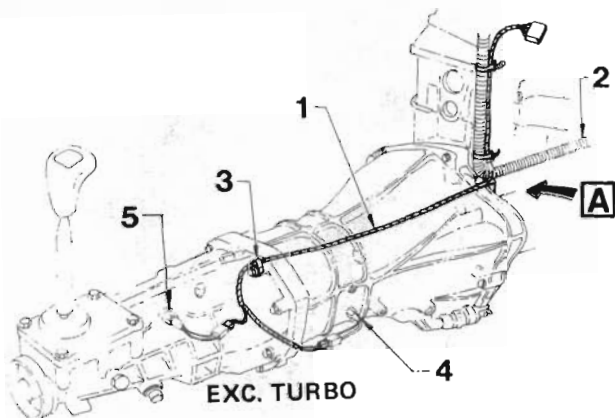


WITH TURBO

TRANSMISSION SHIFT CONTROL

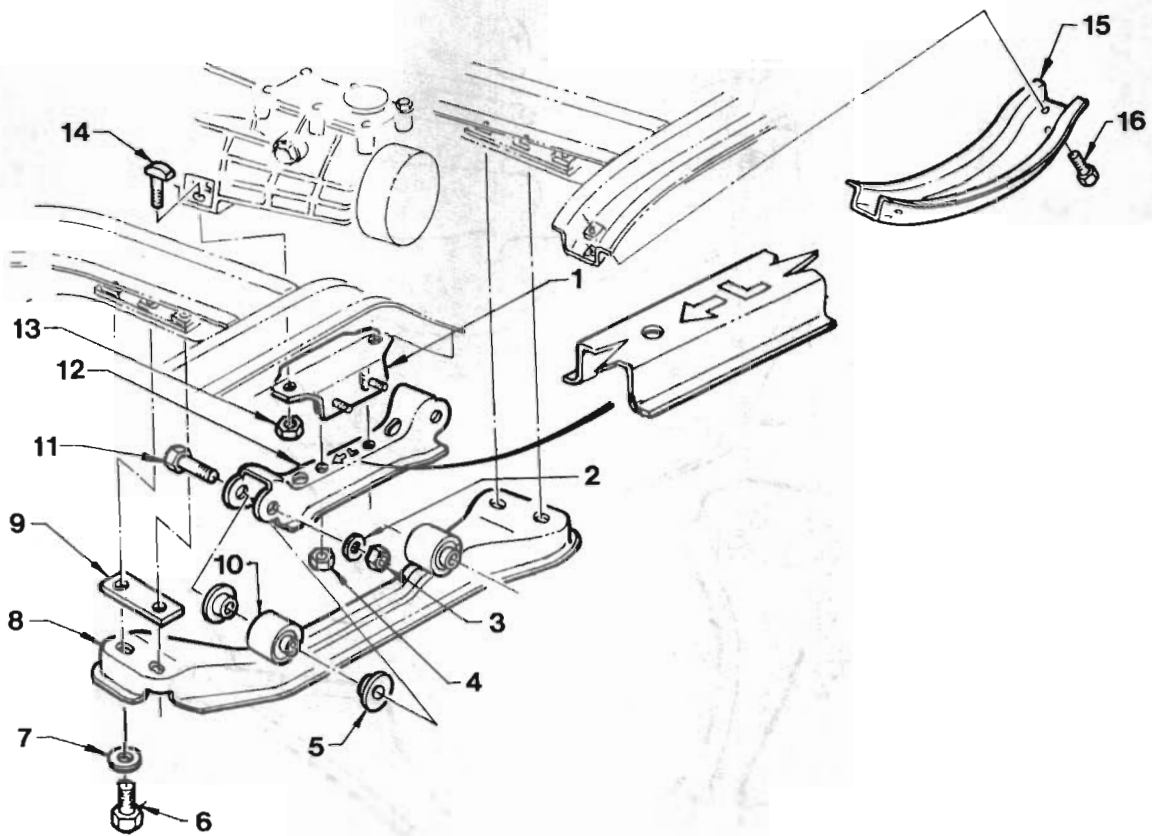
**6 CYLINDER ENGINE
5 SPEED MANUAL TRANSMISSION
VL SERIES**

REF. NO.	PART NAME	GROUP	REF. NO.	PART NAME	GROUP
1	KNOB - Shift control lever	4.006J	12	BOLT & WASHER - Guide plate.....	4.012J
2	LEVER ASM.	4.006J	13	GASKET - Housing to transmission.....	4.012J
3	RING - Snap.....	4.008J	14	HOUSING - Shift control lever.....	4.010J
4	RING - Shift socket.....	4.012J	15	RETAINER - Control lever boot - Lower	4.015J
5	WASHER - Shift control lever bush.....	4.012J	16	BOOT - Shift control lever	4.015J
6	BUSH - Rubber.....	4.012J	17	RETAINER - Control lever boot - Upper.....	4.015J
7	SOCKET ASM. - Shift control lever.....	4.012J	18	BRACKET - Front mounting.....	10.240
8	PIN - Lever socket	4.012J	19	RIVET - Retainer to floor.....	4.015J
9	SPRING - Shift control lever detent.....	4.012J	20	SEAL - Shift control lever	4.015J
10	BOLT - Guide plate	4.012J	21	RETAINER - Shift lever seal to floor.....	4.015J
11	WASHER - Guide plate - Lock.....	4.012J			



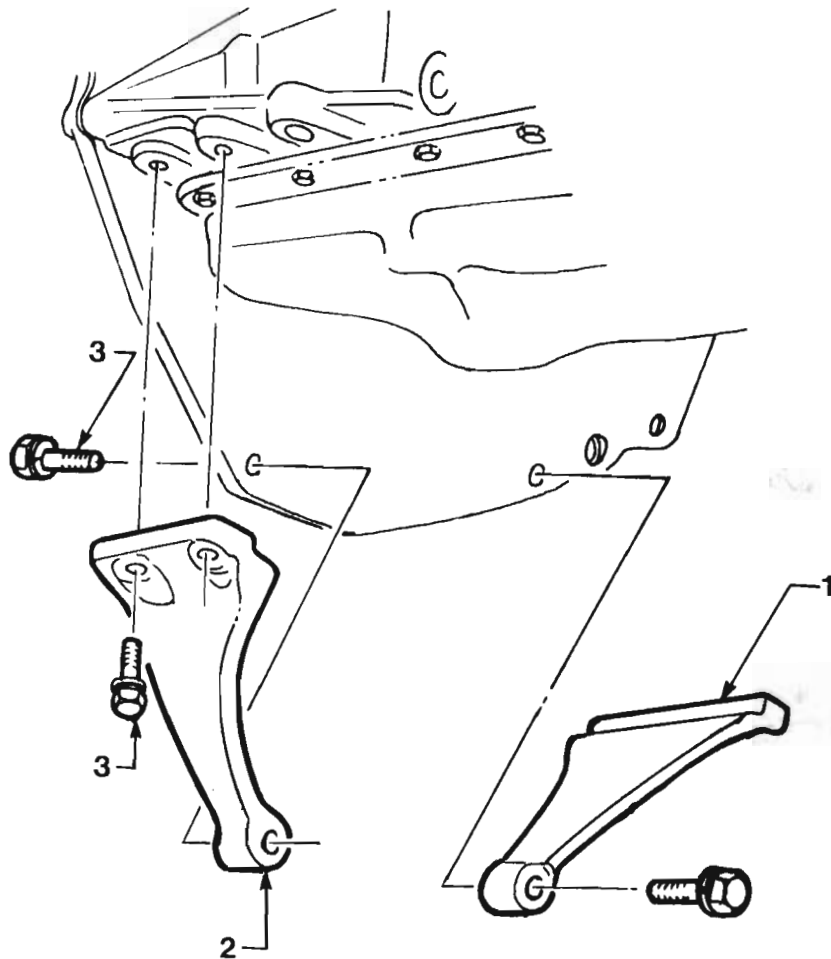
**TRANSMISSION HARNESS
6 CYLINDER ENGINE
5 SPEED MANUAL TRANSMISSION
VL SERIES**

REF. NO.	PART NAME	GROUP
1	HARNESS ASM. - Transmission.....	4.054J
2	HARNESS ASM. - Engine.....	2.525
3	CLIP - Transmission harness.....	4.057J
4	SWITCH - Transmission neutral start.....	4.054J
5	SWITCH - Back up lamp.....	2.698
6	STRAP - Transmission harness to engine harness.....	4.054J
7	BRACKET - Harness to transmission.....	4.054J
8	BOLT - Starter motor to engine.....	2.042



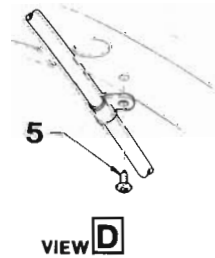
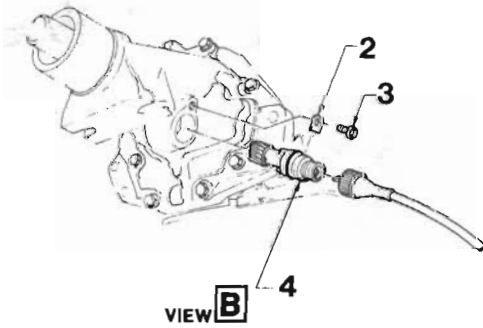
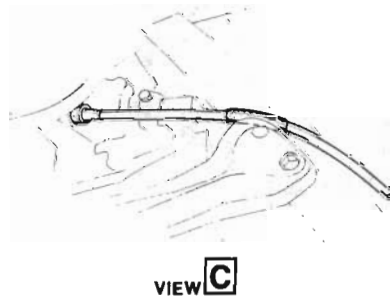
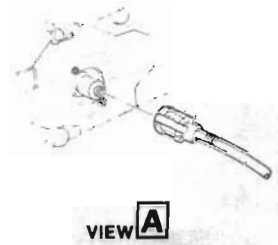
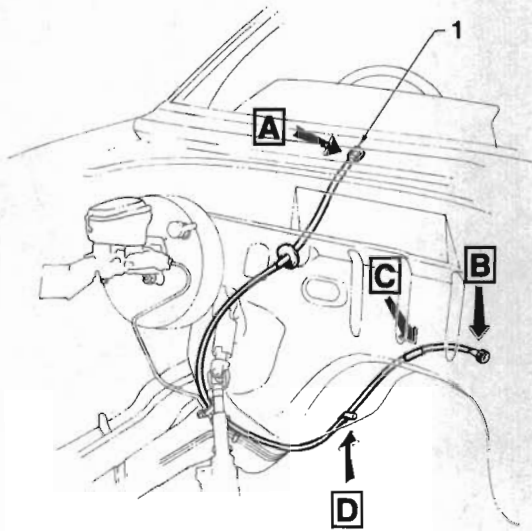
TRANSMISSION MOUNTING
6 CYLINDER ENGINE
5 SPEED MANUAL TRANSMISSION
VL SERIES

REF. NO.	PART NAME	GROUP
1	MOUNTING ASM. - Transmission support.....	4.081J
2	WASHER - Support to crossmember.....	4.081J
3	NUT - Support to crossmember.....	4.081J
4	NUT - Mounting to support.....	4.085J
5	STOPPER - Bush.....	4.081J
6	BOLT - Crossmember to underbody.....	4.081J
7	WASHER - Flat - Crossmember to underbody....	4.081J
8	CROSSMEMBER.....	4.081J
9	SPACER - Crossmember to underbody.....	4.081J
10	BUSH - Support to crossmember.....	4.081J
11	BOLT - Support to crossmember.....	4.081J
12	SUPPORT.....	4.081J
13	NUT - Mounting to transmission.....	4.085J
14	BOLT - Mounting to transmission.....	4.085J
15	BRIDGE - Crossmember - Centre.....	7.012
16	SCREW - Bridge to crossmember.....	7.012



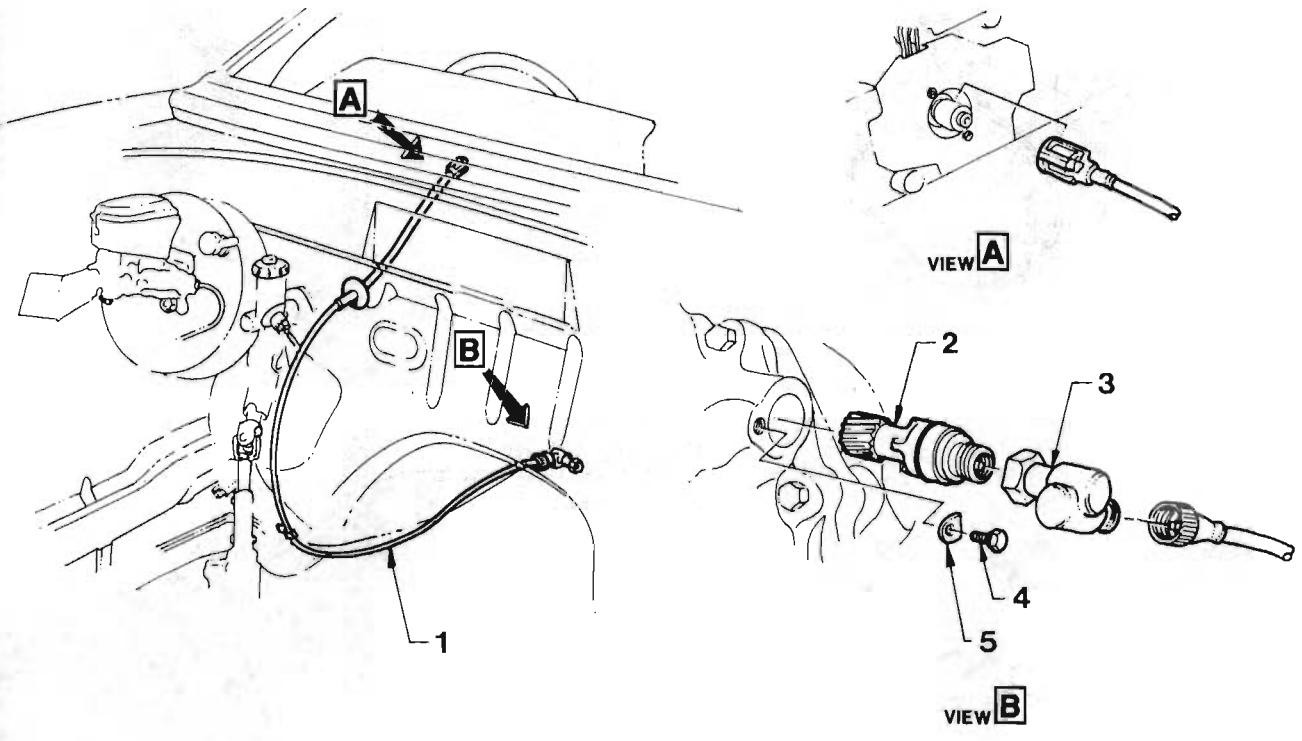
TRANSMISSION TO ENGINE GUSSETS
6 CYLINDER ENGINE
5 SPEED MANUAL TRANSMISSION
VL SERIES

REF. NO.	PART NAME	GROUP
1	GUSSET - LH.....	4.081J
2	GUSSET - RH.....	4.081J
3	BOLT - Gusset to engine.....	4.081J



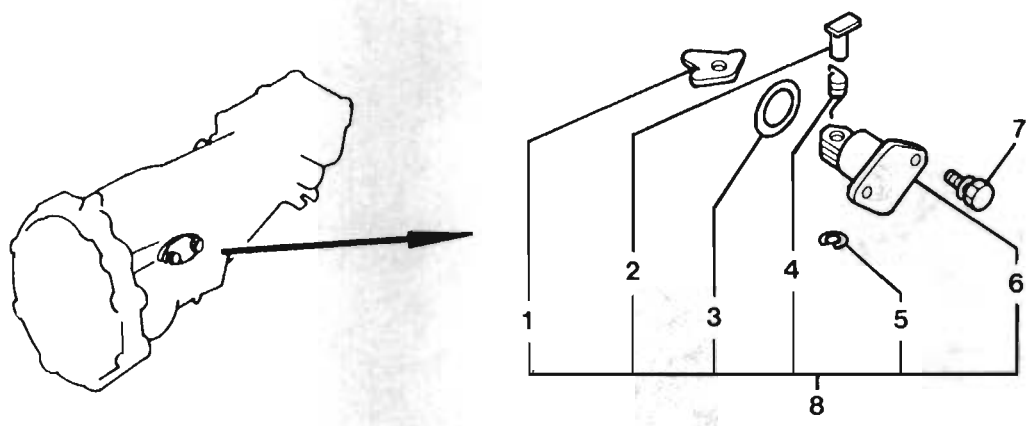
SPEEDOMETER CABLE & GEAR
6 CYLINDER ENGINE EXC. TURBO.
5 SPEED MANUAL TRANSMISSION
VL SERIES

REF. NO.	PART NAME	GROUP
1	CABLE & CASING - Speedometer	4.342J
2	RETAINER - Speedometer driven gear.....	4.338J
3	BOLT - Retainer.....	4.338J
4	GEAR - Speedometer driven	4.337J
5	SCREW - Cable to floor pan	4.342J

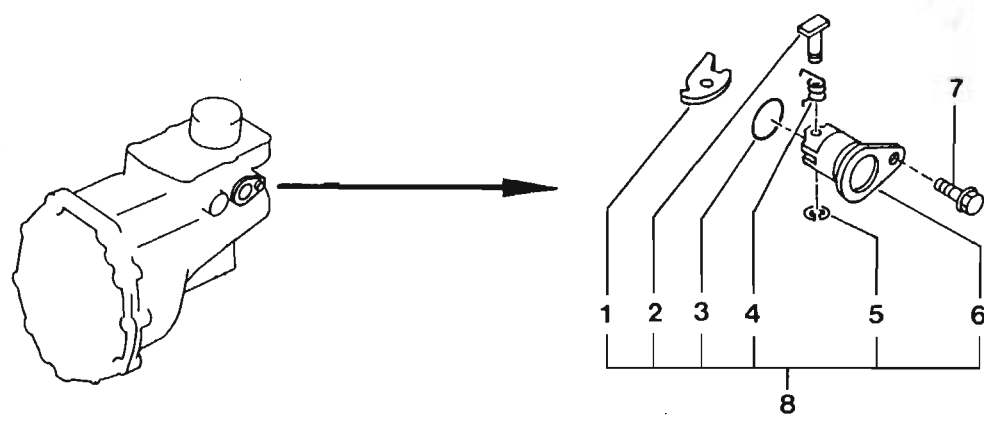


SPEEDOMETER CABLE & GEAR
6 CYLINDER ENGINE WITH TURBO.
5 SPEED MANUAL TRANSMISSION
VL SERIES

REF. NO.	PART NAME	GROUP
1	CABLE & CASING - Speedometer	4.342J
2	GEAR - Speedometer driven	4.337J
3	ADAPTOR ASM. - Speedometer cable to transmission	4.329J
4	BOLT - Retainer.....	4.338J
5	RETAINER - Speedometer driven gear.....	4.338J



EXC. TURBO

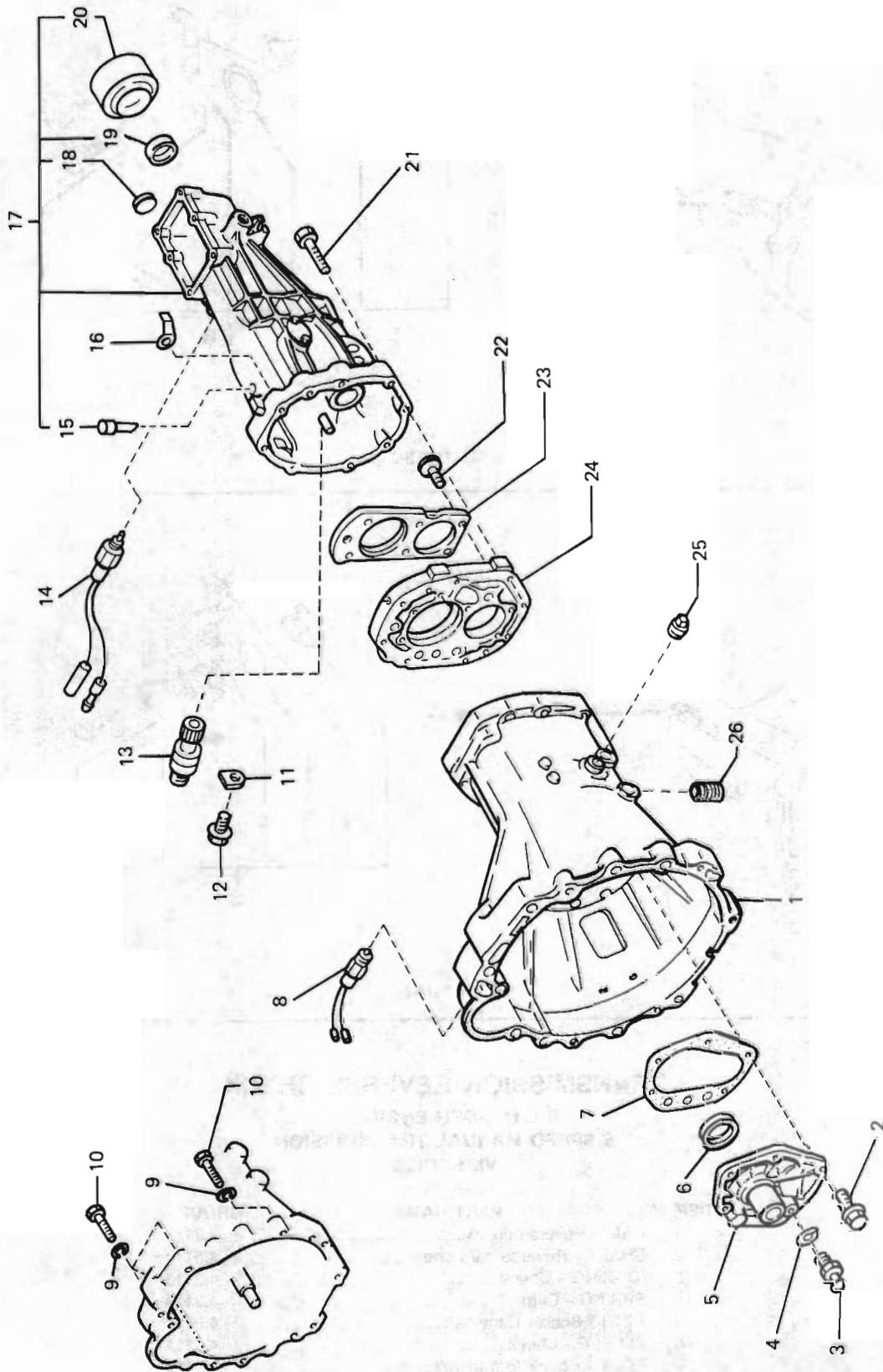


WITH TURBO

TRANSMISSION REVERSE CHECK

**6 CYLINDER ENGINE
5 SPEED MANUAL TRANSMISSION
VL SERIES**

REF. NO.	PART NAME	GROUP
1	CAM - Reverse check.....	4.311J
2	SHAFT - Reverse cam check.....	4.311J
3	'O' RING - Check.....	4.311J
4	SPRING - Cam.....	4.311J
5	RING - Snap - Camshaft.....	4.311J
6	SLEEVE - Check.....	4.311J
7	BOLT - Check to transmission.....	4.311J
8	CHECK ASM. - Reverse.....	4.311J

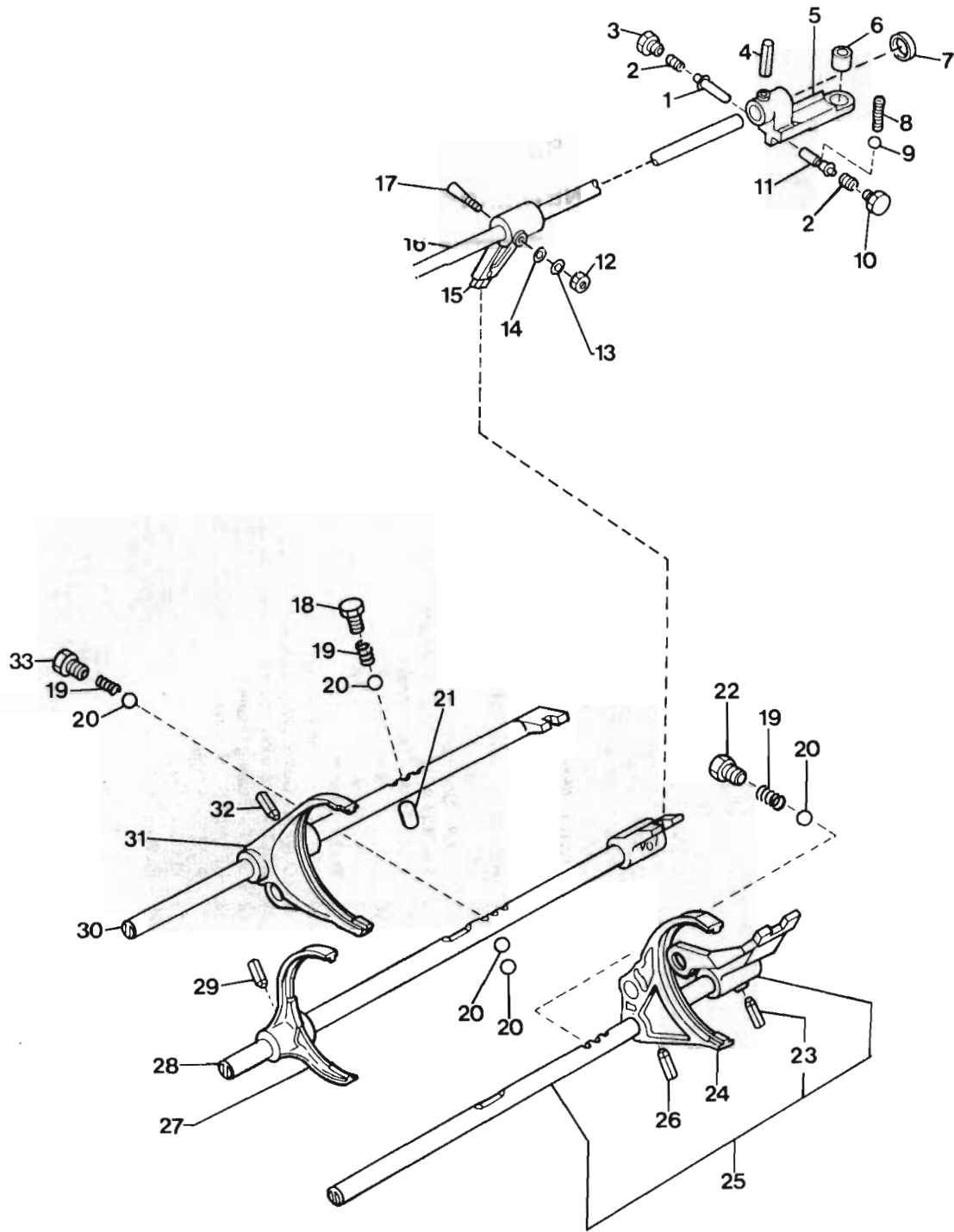




TRANSMISSION CASE & COVER
6 CYLINDER ENGINE EXC. TURBO.
5 SPEED MANUAL TRANSMISSION
VL SERIES

ILLUSTRATION OPPOSITE

REF. NO.	PART NAME	GROUP
1	CASE ASM.....	4.103J
2	BOLT - Cover to case	4.356J
3	STUD - Clutch fork ball	0.796M
4	WASHER - Stud.....	0.796M
5	COVER - Front.....	4.356J
6	SEAL - Front cover oil.....	4.354J
7	GASKET - Front cover.....	4.358J
8	SWITCH ASM. - Back up lamp	2.698
9	WASHER - Lock - Transmission to engine	4.003J
10	BOLT - Transmission to engine.....	4.003J
11	RETAINER - Speedometer driven gear.....	4.338J
12	BOLT - Retainer.....	4.338J
13	GEAR - Speedometer driven	4.337J
14	SWITCH ASM. - Neutral position	4.054J
15	VENT ASM. - Transmission	4.104J
16	CLIP - Transmission harness	4.057J
17	HOUSING ASM. - Extension.....	4.317J
18	PLUG - Selector shaft.....	4.318J
19	SEAL - Extension housing.....	4.318J
20	COVER - Dust.....	4.318J
21	BOLT - Extension housing to case.....	4.319J
22	BOLT - Bearing retainer	4.422J
23	RETAINER - Bearing.....	4.422J
24	PLATE - Adaptor.....	4.317J
25	PLUG - Filler.....	4.104J
26	PLUG - Drain.....	4.104J

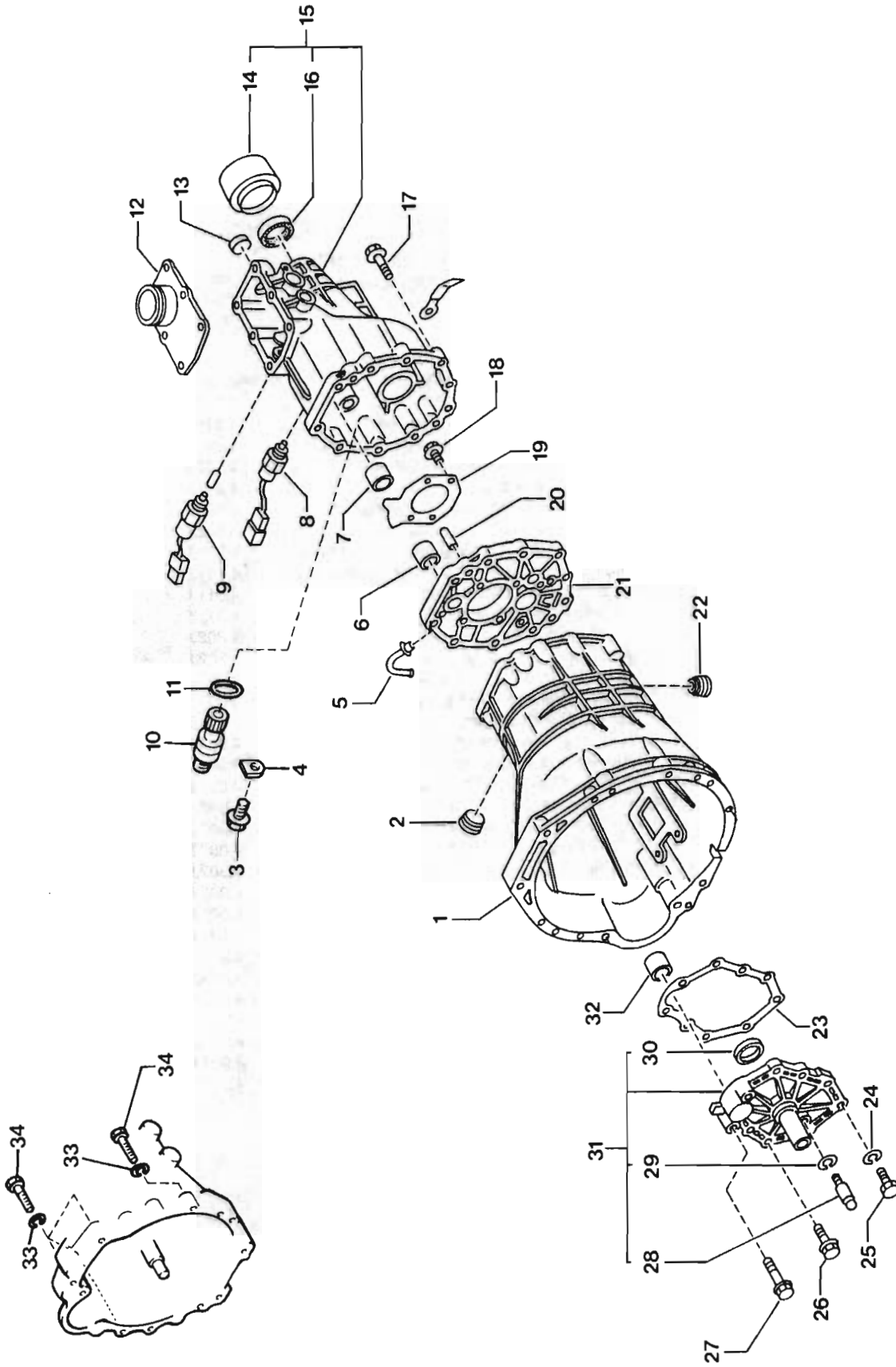




**TRANSMISSION SHIFT FORK & STRIKING ROD
6 CYLINDER ENGINE EXC. TURBO.
5 SPEED MANUAL TRANSMISSION
VL SERIES**

ILLUSTRATION OPPOSITE

REF. NO.	PART NAME	GROUP
1	PLUNGER - Striking arm RH.....	4.311J
2	SPRING - Striking arm plunger return.....	4.311J
3	PLUG - Striking arm plunger return spring.....	4.311J
4	PIN - Striking armsecond shift interlock.....	4.302J
5	ARM - Striking rod.....	4.302J
6	BUSH - Shift control lever to striking arm.....	4.302J
7	BUSH - Striking arm.....	4.302J
8	SPRING - Check - Striking arm plunger ball.....	4.311J
9	BALL - Check - Striking arm plunger ball.....	4.311J
10	PLUG - Plunger return spring.....	4.311J
11	PLUNGER - Striking arm LH.....	4.311J
12	NUT - Locking pin.....	4.302J
13	WASHER - Flat - Locking pin.....	4.302J
14	WASHER - Lock - Locking pin.....	4.302J
15	LEVER - Shift fork striking.....	4.302J
16	ROD - Shift fork striking.....	4.302J
17	PIN - Lock - Lever retaining.....	4.302J
18	PLUG - First & second check shift ball.....	4.307J
19	SPRING - Check shift ball.....	4.307J
20	BALL - Check.....	4.307J
21	PLUNGER - First & second shift interlock.....	4.307J
22	PLUG - Fifth & reverse check shift ball.....	4.307J
23	PIN - Fifth & reverse shift rod.....	4.307J
24	FORK - Fifth & reverse shift.....	4.303J
25	ROD - Fifth & reverse shift fork.....	4.309J
26	PIN - Fifth & reverse shift fork.....	4.307J
27	FORK - Third & fourth shift.....	4.303J
28	ROD - Third & fourth shift fork.....	4.309J
29	PIN - Third & fourth shift fork retaining.....	4.307J
30	ROD - First & second shift fork.....	4.309J
31	FORK - First & second shift.....	4.303J
32	PIN - First & second shift fork retaining.....	4.307J
33	PLUG - Third & fourth check shift ball.....	4.307J

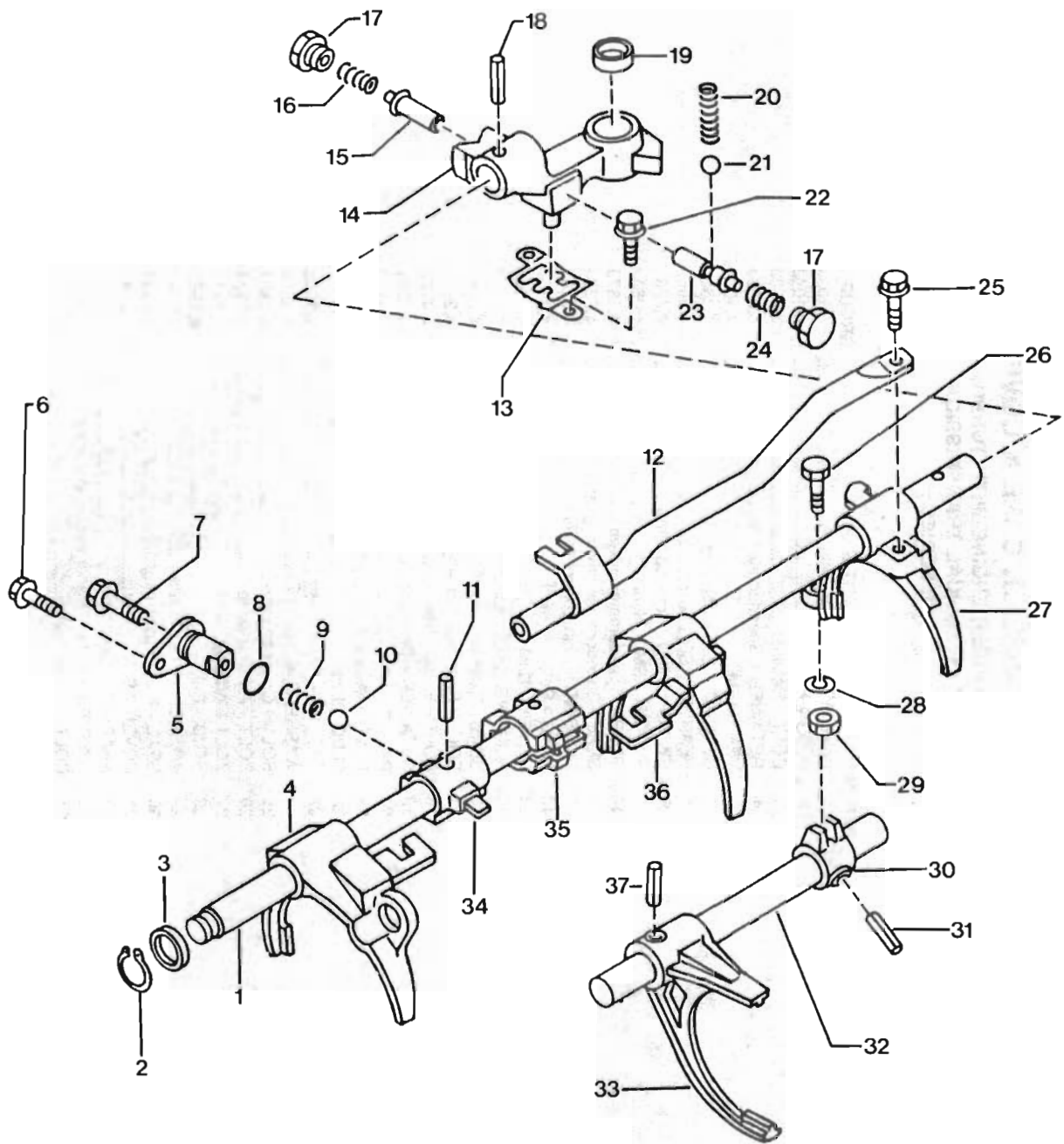




TRANSMISSION CASE & COVER
6 CYLINDER ENGINE WITH TURBO.
5 SPEED MANUAL TRANSMISSION
VL SERIES

ILLUSTRATION OPPOSITE

REF. NO.	PART NAME	GROUP
1	CASE ASM. - Transmission	4.103J
2	PLUG - Filler.....	4.104J
3	BOLT - Retainer.....	4.338J
4	RETAINER - Speedometer driven gear.....	4.338J
5	VENT ASM.....	4.104J
6	BEARING - Slide intermediate.....	4.356J
7	BEARING - Slide rear.....	4.356J
8	SWITCH ASM. - Back up lamp.....	2.698
9	SWITCH ASM. - Neutral.....	4.054J
10	GEAR - Speedometer driven.....	4.337J
11	SEAL - Speedometer driven gear.....	4.338J
12	HOUSING - Shift control lever.....	4.010J
13	PLUG - Selector shaft.....	4.318J
14	COVER - Dust.....	4.318J
15	HOUSING ASM. - Extension.....	4.317J
16	SEAL - Extension housing.....	4.318J
17	BOLT - Extension housing to case.....	4.319J
18	BOLT - Guide plate.....	4.422J
19	RETAINER - Bearing.....	4.422J
20	PIN - Dowel.....	4.317J
21	PLATE - Adaptor.....	4.317J
22	PLUG - Drain.....	4.105J
23	GASKET - Front cover.....	4.358J
24	WASHER - Cover to case.....	4.356J
25	BOLT - Cover to case.....	4.356J
26	BOLT - Adaptor plate.....	4.317J
27	BOLT - Adaptor plate.....	4.317J
28	STUD - Ball.....	0.796M
29	WASHER - Stud - Lock.....	0.796M
30	SEAL - Front cover oil.....	4.354J
31	COVER ASM. - Front.....	4.356J
32	BEARING - Slide front.....	4.356J
33	WASHER - Lock - Transmission to engine.....	4.003J
34	BOLT - Transmission.....	4.003J

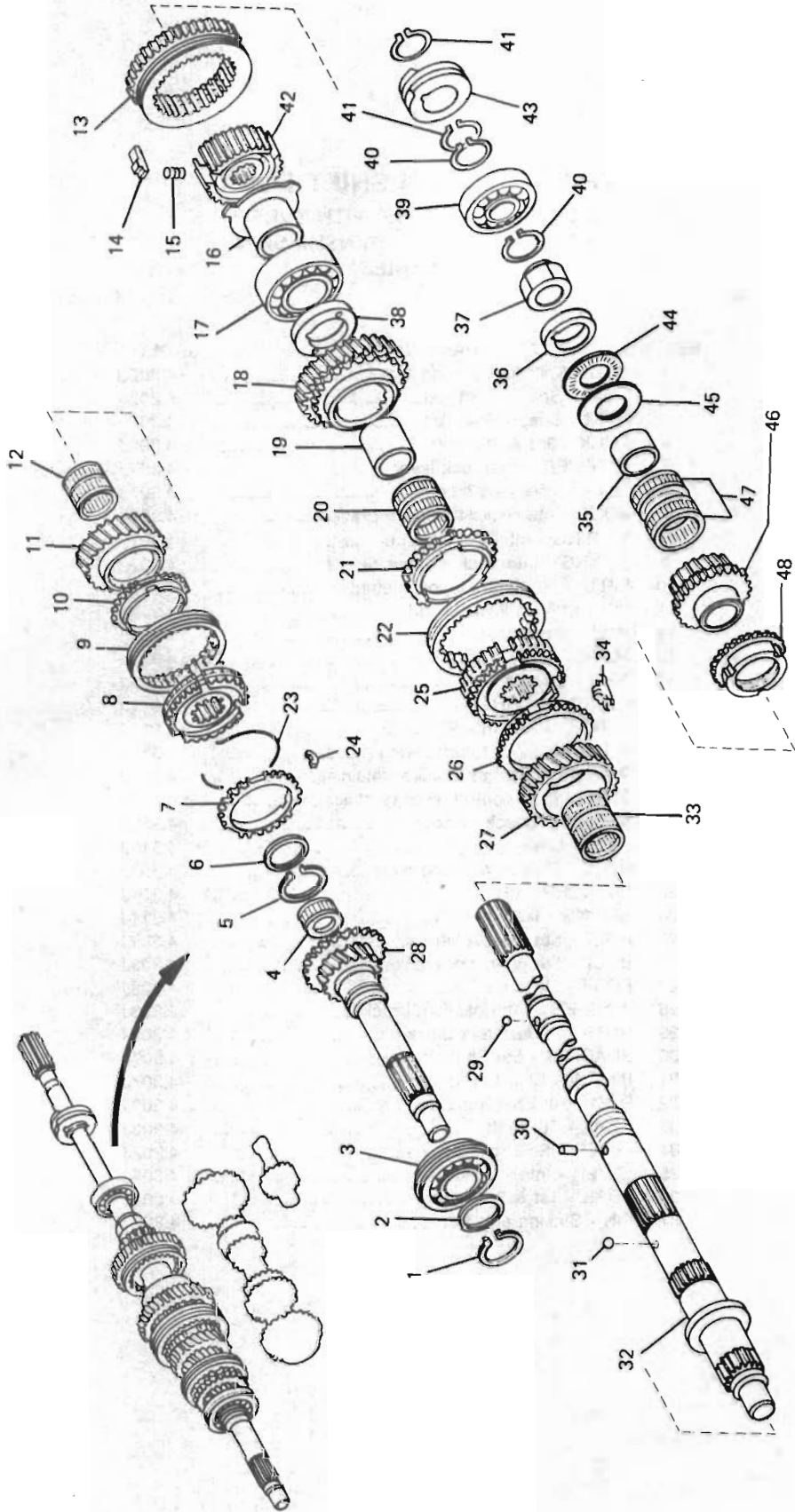




**TRANSMISSION SHIFT FORK
6 CYLINDER ENGINE WITH TURBO
5 SPEED MANUAL TRANSMISSION
VL SERIES**

ILLUSTRATION OPPOSITE

REF. NO.	PART NAME	GROUP
1	ROD - Shift fork striking arm	4.302J
2	RING - Snap - Shift rod.....	4.302J
3	RING - Snap - Shift rod.....	4.302J
4	FORK - 3rd & 4th shift	4.303J
5	STOPPER - Inter-lock lever	4.307J
6	BOLT - Inter lock stopper	4.307J
7	BOLT - Inter-lock stopper to bracket	4.307J
8	'O' RING - Inter lock stopper	4.307J
9	SPRING - Inter lock stopper detent	4.307J
10	BALL - Inter lock stopper detent	4.307J
11	PIN - Striking lever to rod	4.302J
12	ROD - 5th & reverse.....	4.307J
13	PLATE - Shift lever guide.....	4.303J
14	ARM - Striking rod.....	4.302J
15	PLUNGER - RH	4.311J
16	SPRING - Return - RH	4.311J
17	PLUG - Plunger return spring	4.311J
18	PIN - 5th Shift fork bracket retaining.....	4.307J
19	BUSH - Shift control lever to striking arm.....	4.302J
20	SPRING - Check plunger.....	4.311J
21	BALL - Check plunger.....	4.311J
22	BOLT - Shift lever guide plate.....	4.303J
23	PLUNGER - LH	4.311J
24	SPRING - Return - RH	4.311J
25	BOLT - 5th & Reverse fork rod	4.303J
26	BOLT - 5th gear fork bracket.....	4.303J
27	FORK - Reverse	4.303J
28	WASHER - 5th gear fork bracket	4.303J
29	NUT - 5th gear fork bracket	4.303J
30	BRACKET - 5th Shift fork	4.307J
31	PIN - 5th Shift fork to rod.....	4.307J
32	ROD - 5th Shift fork.....	4.309J
33	FORK - 5th Shift.....	4.303J
34	LEVER - Striking	4.302J
35	LEVER - Interlock striking	4.307J
36	FORK - 1st & 2nd shift.....	4.303J
37	PIN - Striking arm to rod	4.302J





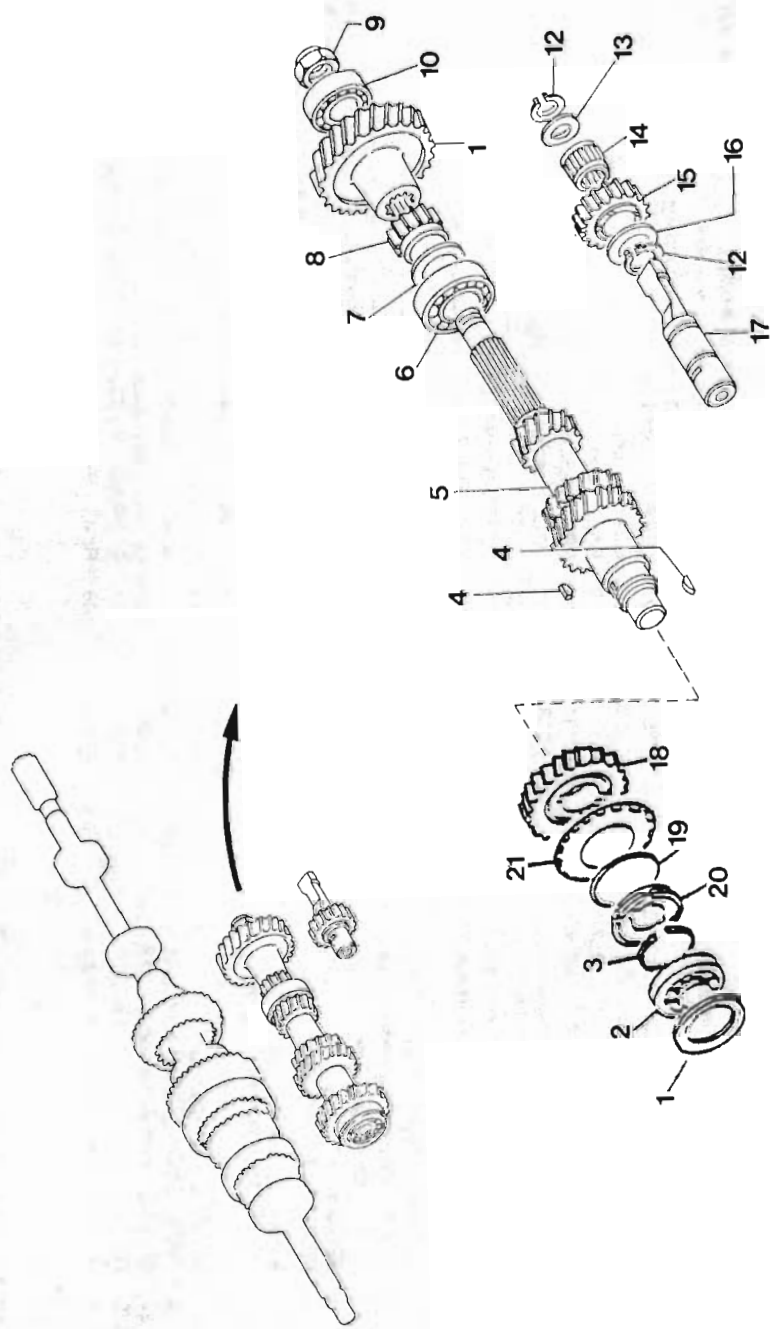
TRANSMISSION MAINSHAFT & GEARS
 6 CYLINDER ENGINE EXC. TURBO
 5 SPEED MANUAL TRANSMISSION
 VL SERIES

ILLUSTRATION OPPOSITE

REF. NO.	PART NAME	GROUP	REF. NO.	PART NAME	GROUP
1	RING - Snap - Clutch gear bearing	4.356J	25	HUB - First & second synchronizer	4.384J
2	SPACER - Clutch gear bearing	4.356J	26	RING - Blocking - First & second synchronizer	4.383J
3	BEARING - Clutch gear	4.355J	27	GEAR - Second speed	4.395J
4	BEARING - Clutch gear to mainshaft - Pilot	4.352J	28(A)	GEAR - Clutch	NSS
5	RING - Snap - Third & fourth	4.384J	29	BALL - Locking - Rear	4.412J
6	WASHER - Thrust - Third & fourth	4.384J	30	PIN - Lock	4.412J
7	RING - Third & fourth synchronizer	4.383J	31	BALL - Locking - Front	4.412J
8	HUB - Third & fourth synchronizer	4.384J	32	SHAFT - Main	4.403J
9	SLEEVE - Third & fourth synchronizer	4.383J	33	BEARING - Needle roller - Second gear	4.419J
10	RING - Blocking - Third & fourth synchronizer	4.383J	34	KEY - First & second synchronizer	4.384J
11	GEAR - Third speed	4.415J	35	BUSH - Fifth gear	4.416J
12	BEARING - Needle roller - Third gear	4.419J	36	WASHER - Mainshaft	4.412J
13	GEAR - Mainshaft reverse speed	4.417J	37	NUT - Mainshaft	4.412J
14	KEY - Fifth synchronizer	4.384J	38	WASHER - Thrust - First gear	4.419J
15	SPRING - Fifth key	4.384J	39	BEARING - Mainshaft - Rear	4.408J
16	SPACER - Insert stop	4.399J	40	RING - Snap - Mainshaft rear bearing	4.412J
17	BEARING - Mainshaft centre	4.408J	41	RING - Snap - Speedometer drive gear	4.345J
18	GEAR - Mainshaft first speed	4.417J	42	HUB - Fifth & reverse synchronizer	4.384J
19	BUSH - First gear	4.419J	43	GEAR - Speedometer drive	4.343J
20	BEARING - Needle roller - First gear	4.419J	44	BEARING - Needle roller - Fifth gear	4.416J
21	RING - Blocking - First & second synchronizer	4.383J	45	SPACER - Needle bearing	4.416J
22	SLEEVE - First & second synchronizer	4.383J	46(B)	GEAR - Fifth speed main	NSS
23	SPRING - Third & fourth key	4.384J	47	BEARING - Needle roller - Fifth gear internal	4.416J
24	KEY - Third & fourth synchronizer	4.384J	48	RING - Blocking - Fifth synchronizer	4.384J

NOTE:- (A PART OF GEAR SET - Transmission maindrive Refer Group 4.351J

(B PART OF GEAR SET - Transmission 5th speed Refer Group 4.415J





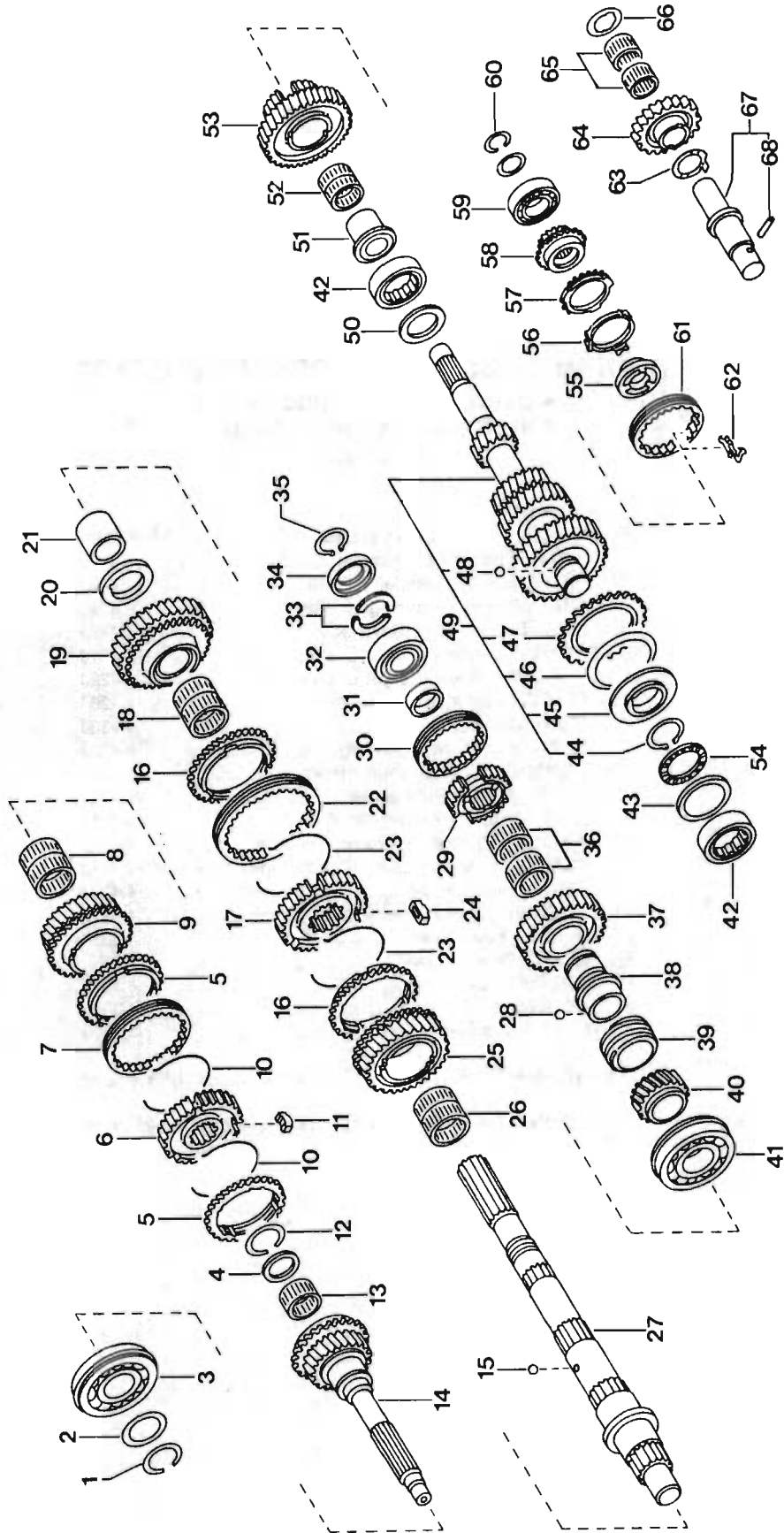
**TRANSMISSION COUNTERSHAFT & GEARS
6 CYLINDER ENGINE EXC. TURBO
5 SPEED MANUAL TRANSMISSION
VL SERIES**

ILLUSTRATION OPPOSITE

REF. NO.	PART NAME	GROUP
1	SHIM - Counter gear bearing.....	4.426J
2	BEARING - Countershaft - Front	4.422J
3	RING - Snap - Counter gear, Drive	4.422J
4	KEY - Counter gear, Drive	4.422J
5	GEAR - Counter.....	4.421J
6	BEARING - Counter shaft intermediate.....	4.422J
7	SPACER - Counter reverse gear.....	4.426J
8	GEAR - Reverse counter.....	4.430J
9	NUT - Rear counter gear bearing.....	4.429J
10	BEARING - Counter shaft - Rear.....	4.422J
11(A)	GEAR - Fifth speed counter	N.S.S.
12	RING - Snap - Reverse idler gear	4.435J
13	WASHER - Thrust - Reverse idler gear	4.437J
14	BEARING - Needle roller - Reverse idler gear....	4.431J
15	GEAR - Reverse idler	4.430J
16	WASHER - Thrust - Reverse idler gear	4.437J
17	SHAFT - Reverse idler gear	4.433J
18(B)	GEAR - Counter drive	N.S.S.
19	WASHER - Sub gear.....	4.351J
20	RETAINER - Sub gear	4.351J
21	GEAR - Sub centre	4.351J

NOTE:- (A PART OF GEAR SET - Transmission fifth speed Refer Group 4.415J

(B PART OF GEAR SET - Transmission main drive Refer Group 4.351J

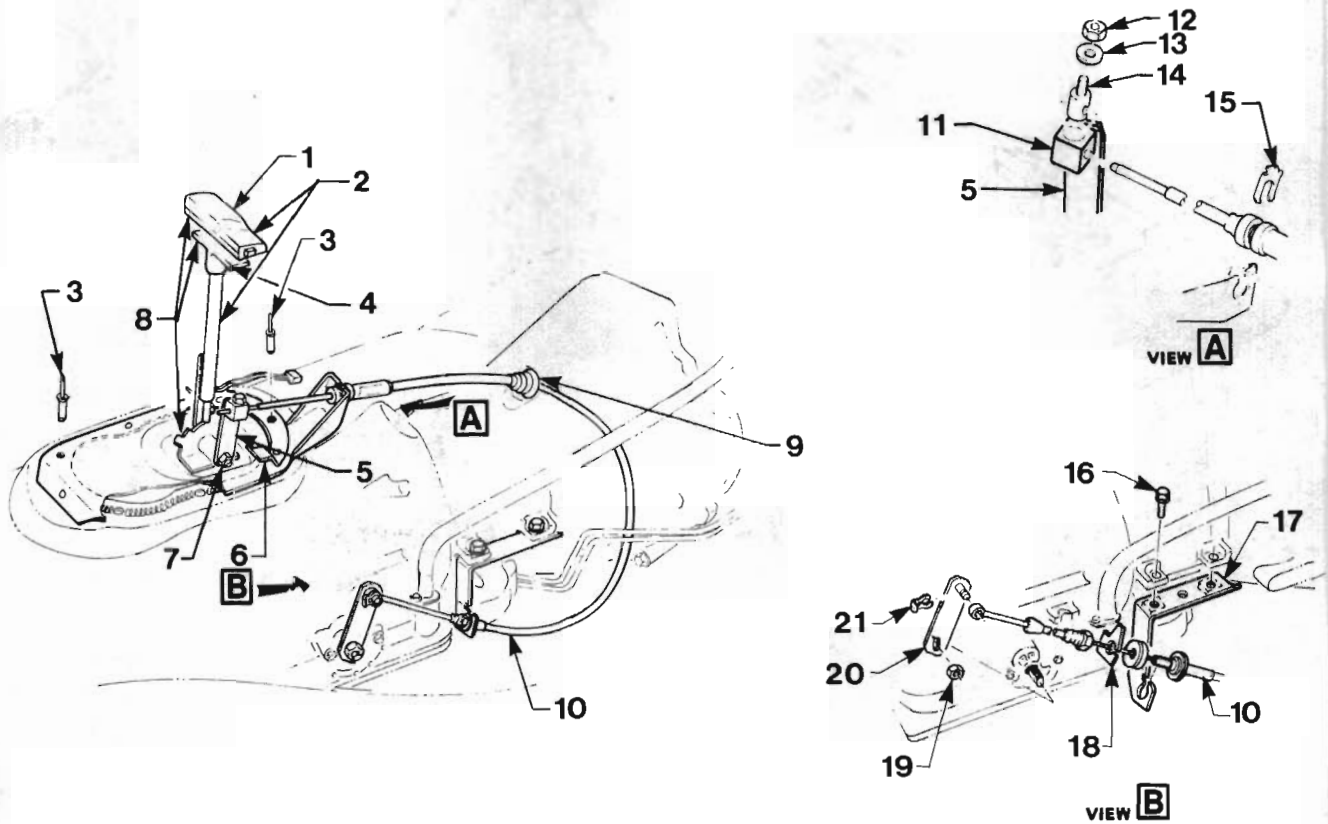




TRANSMISSION MAINSHAFT & GEARS
5 SPEED MANUAL TRANSMISSION WITH TURBO
6 CYLINDER ENGINE
VL SERIES

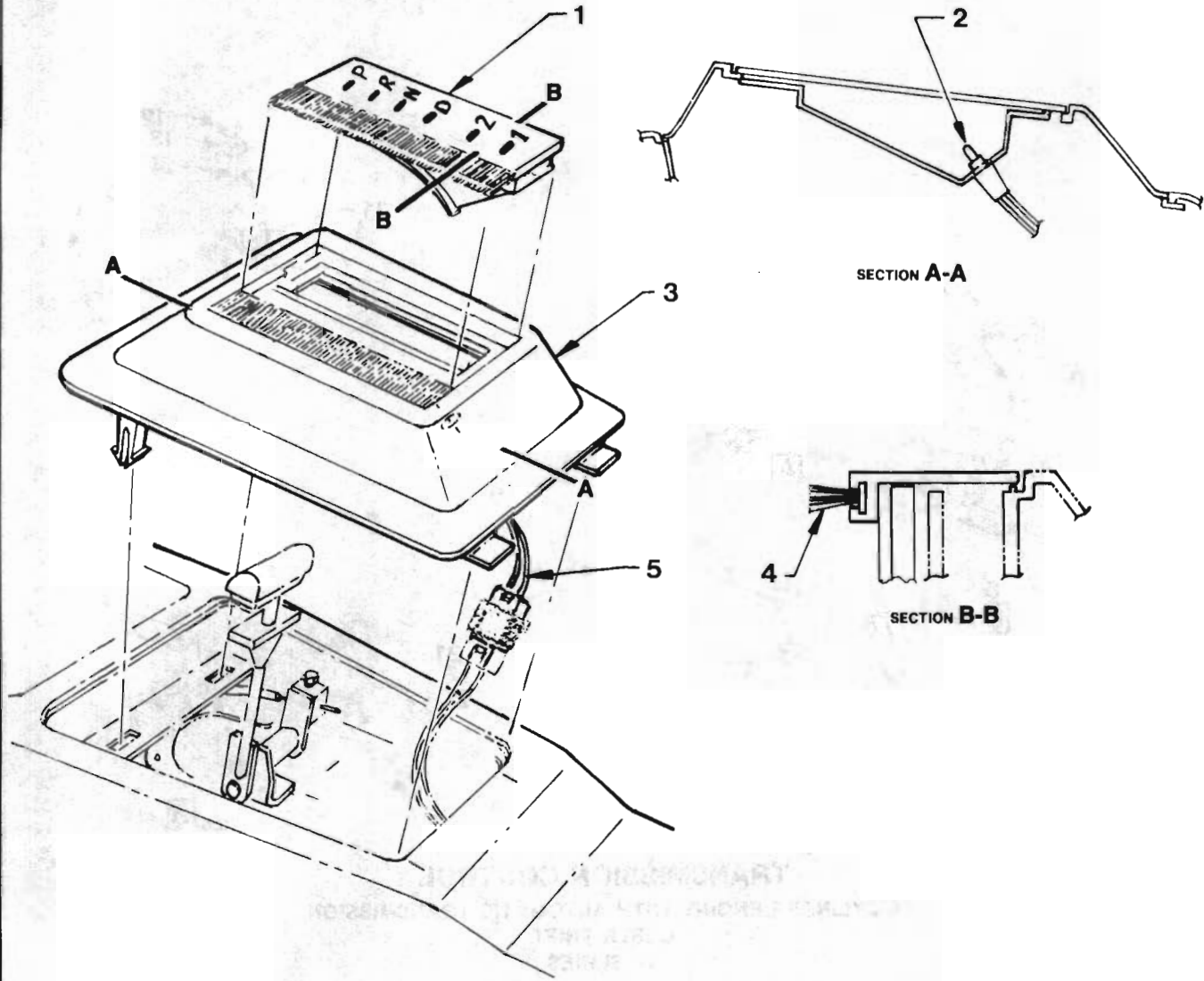
ILLUSTRATION OPPOSITE

REF. NO.	PART NAME	GROUP	REF. NO.	PART NAME	GROUP
1	RING - Snap, Clutch gear bearing.....	4.356J	35	RING - Snap rear.....	4.412J
2	SPACER - Clutch gear bearing.....	4.356J	36	BEARING - Needle roller - Reverse gear.....	4.419J
3	BEARING - Clutch gear.....	4.355J	37	GEAR - Reverse.....	4.417J
4	SPACER - Pilot bearing.....	4.353J	38	BUSH - Reverse gear.....	4.399J
5	RING - Blocking - 3rd & 4th synchronizer.....	4.383J	39	GEAR - Speedometer drive.....	4.343J
6	HUB - 3rd & 4th synchronizer.....	4.384J	40	GEAR - Main shaft 5th speed.....	4.415J
7	SLEEVE - 3rd & 4th synchronizer.....	4.383J	41	BEARING - Mainshaft, Centre.....	4.408J
8	BEARING - Needle roller third gear.....	4.419J	42	BEARING - Counter shaft.....	4.422J
9	GEAR ASM. - Third speed.....	4.415J	43	SHIM - Counter gear bearing.....	4.426J
10	SPRING - Key - 3rd & 4th synchronizer.....	4.384J	44	RING - Snap - Counter drive gear.....	4.422J
11	KEY - 3rd & 4th synchronizer.....	4.383J	45	RETAINER - Sub gear.....	4.351J
12	RING - Snap - 3rd & 4th synchronizer.....	4.384J	46	SPRING - Counter drive.....	4.351J
13	BEARING - Pilot, Clutch gear to mainshaft.....	4.352J	47	GEAR - Sub - Centre.....	4.351J
14	GEAR - Clutch.....	4.351J	48	BALL - Locating, Counter drive gear.....	4.422J
15	BALL - Locking.....	4.412J	49	GEAR - Transmission counter.....	4.421J
16	RING - Blocking 1st & 2nd synchronizer.....	4.383J	50	BEARING - Thrust - Rear.....	4.422J
17	HUB - 1st & 2nd synchronizer.....	4.384J	51	BUSH - Fifth gear.....	4.416J
18	BEARING - Needle roller first gear.....	4.419J	52	BEARING - Needle roller fifth gear.....	4.416J
19	GEAR ASM. - First speed.....	4.417J	53	GEAR - Counter shaft, 5th speed.....	4.415J
20	WASHER - Thrust, first gear.....	4.419J	54	BEARING - Thrust front, Counter shaft.....	4.422J
21	BUSH - First gear.....	4.419J	55	CONE - Counter reverse gear.....	4.419J
22	SLEEVE - 1st & 2nd synchronizer.....	4.383J	56	RING - Blocking - Reverse.....	4.383J
23	SPRING - Key 1st & 2nd synchronizer.....	4.384J	57	RING - Blocking - Fifth gear.....	4.383J
24	KEY - 1st & 2nd synchronizer.....	4.384J	58	GEAR - Reverse, Counter.....	4.430J
25	GEAR ASM. - Second speed.....	4.395J	59	BEARING - Rear, Counter shaft.....	4.422J
26	BEARING - Needle roller second gear.....	4.419J	60	RING - Snap - Counter drive gear.....	4.422J
27	SHAFT - Main.....	4.403J	61	SLEEVE - Coupling, Reverse gear.....	4.419J
28	BALL - Reverse gear bush.....	4.399J	62	KEY - 5th speed, Synchronizer.....	4.384J
29	HUB - Reverse synchronizer.....	4.384J	63	WASHER - Thrust, Reverse idler gear.....	4.437J
30	SLEEVE - Reverse - Outer.....	4.383J	64	GEAR - Reverse, Idler.....	4.430J
31	SLEEVE - Reverse - Inner.....	4.383J	65	BEARING - Needle roller, Reverse idler gear.....	4.431J
32	BEARING - Mainshaft rear.....	4.408J	66	WASHER - Thrust, Reverse idler gear.....	4.437J
33	RING - Snap - Mainshaft rear bearing.....	4.412J	67	SHAFT - Reverse idler.....	4.433J
34	HOLDER - Snap ring, Rear bearing.....	4.412J	68	PIN - Retaining, Reverse idler gear.....	4.431J



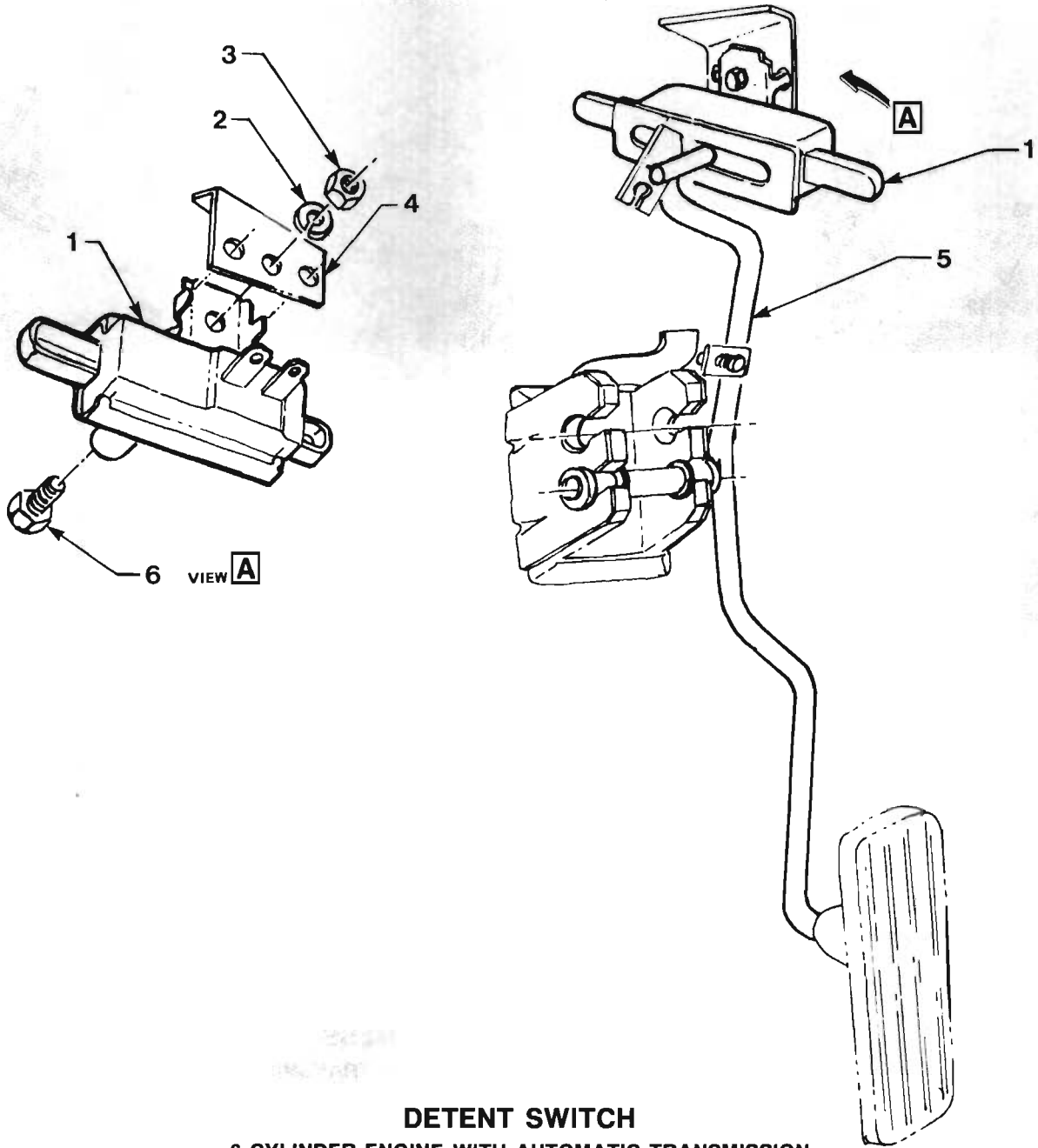
**TRANSMISSION CONTROL
6 CYLINDER ENGINE WITH AUTOMATIC TRANSMISSION
CABLE SHIFT
VL SERIES**

REF. NO.	PART NAME	GROUP
1	HANDLE - Transmission control lever - Upper....	N.S.S.
2	LEVER & HANDLE ASM. - Transmission control	4.006R
3	RIVET - Transmission control to floor.....	4.012R
4	HANDLE - Transmission control lever - Lower....	N.S.S.
5	LEVER - Transmission control shaft to cable.....	4.006R
6	BRACKET - Console attaching - Front	10.240
7	NUT - Lever to control shaft	4.006R
8	LEVER, GATE & HANDLE ASM. - Transmission control.....	4.004R
9	GROMMET - Cable to floor pan	4.047R
10	CABLE ASM. - Selector control	4.047R
11	TRUNNION - Cable to control lever	4.047R
12	NUT - Cable to control lever trunnion.....	4.047R
13	WASHER - Cable to control lever trunnion.....	4.047R
14	CLAMP - Cable to control lever trunnion.....	4.047R
15	CLIP - Spring, cable to control.....	4.047R
16	BOLT - Cable bracket to transmission.....	4.047R
17	BRACKET ASM. - Selector control cable support.....	4.047R
18	PLATE - Lock, cable to bracket.....	4.047R
19	NUT - Lever to transmission.....	4.045R
20	LEVER ASM. - Transmission external control.....	4.045R
21	CIRCLIP - Cable to transmission lever.....	4.047R



TRANSMISSION CONTROL INDICATOR
6 CYLINDER ENGINE WITH AUTOMATIC TRANSMISSION
VL SERIES

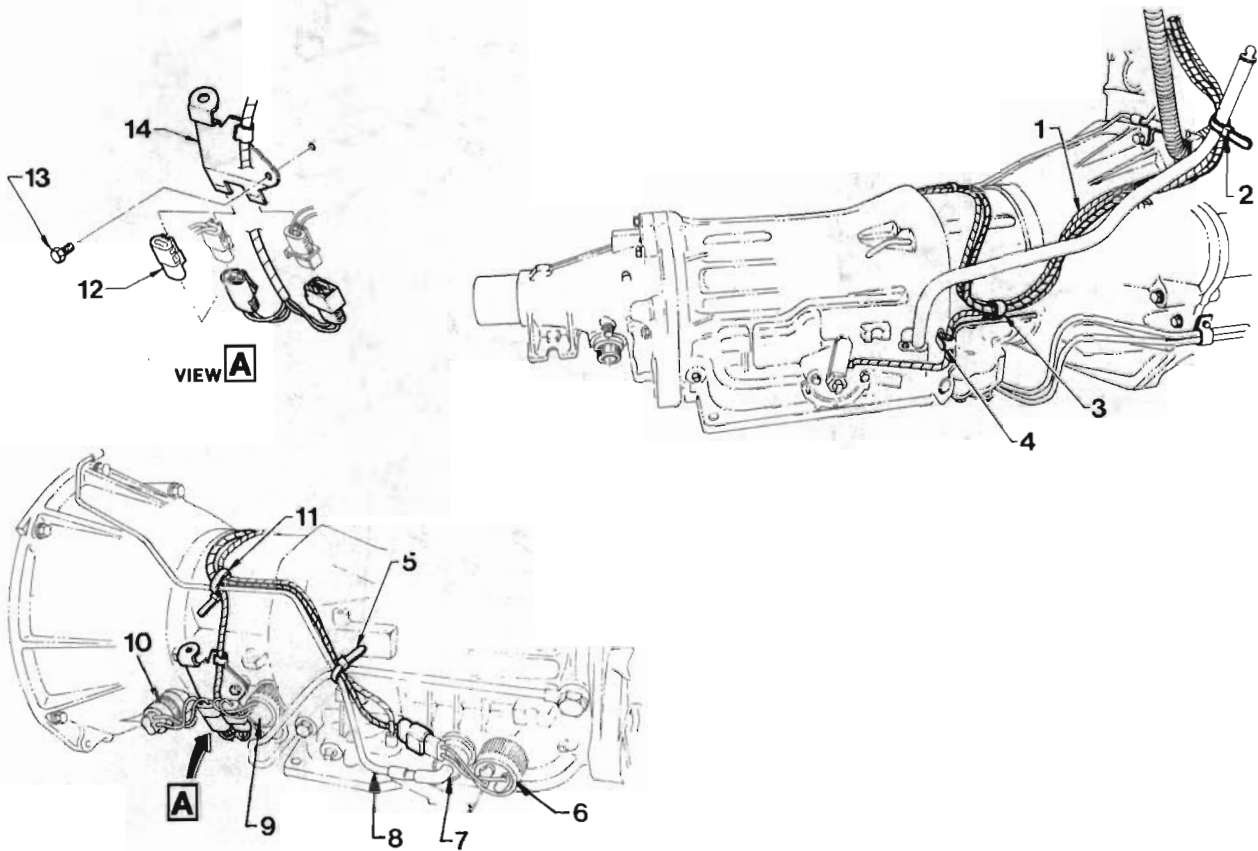
REF. NO.	PART NAME	GROUP
1	INDICATOR.....	4.020R
2	BULB - Indicator	4.022R
3	CAP ASM.....	4.020R
4	SEAL - Indicator dust.....	4.020R
5	HARNESS ASM. - Automatic shift illumination	4.020R



DETENT SWITCH

**6 CYLINDER ENGINE WITH AUTOMATIC TRANSMISSION
VL SERIES**

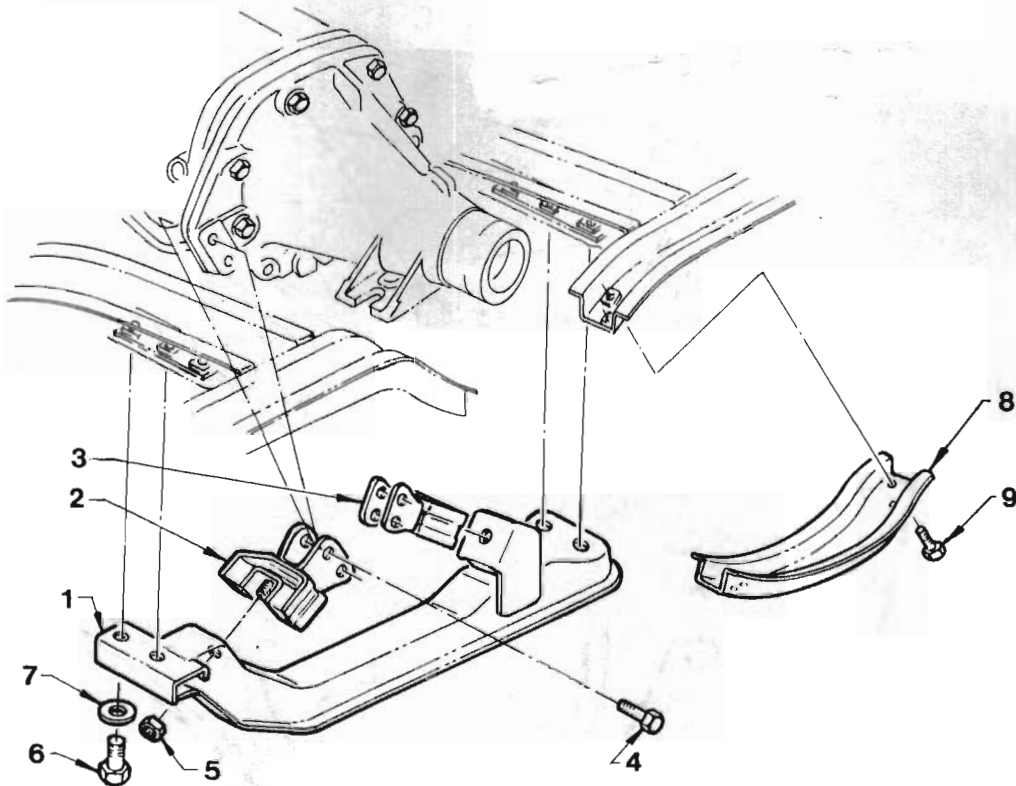
REF. NO.	PART NAME	GROUP
1	SWITCH ASM. - Transmission detent solenoid actuating.....	4.057R
2	WASHER - Lock, Detent switch to bracket.....	4.057R
3	NUT - Detent switch to bracket.....	4.057R
4	BRACKET - Detent switch mounting.....	4.057R
5	PEDAL - Accelerator.....	3.451
6	BOLT - Detent switch to bracket.....	4.057R



TRANSMISSION HARNESS

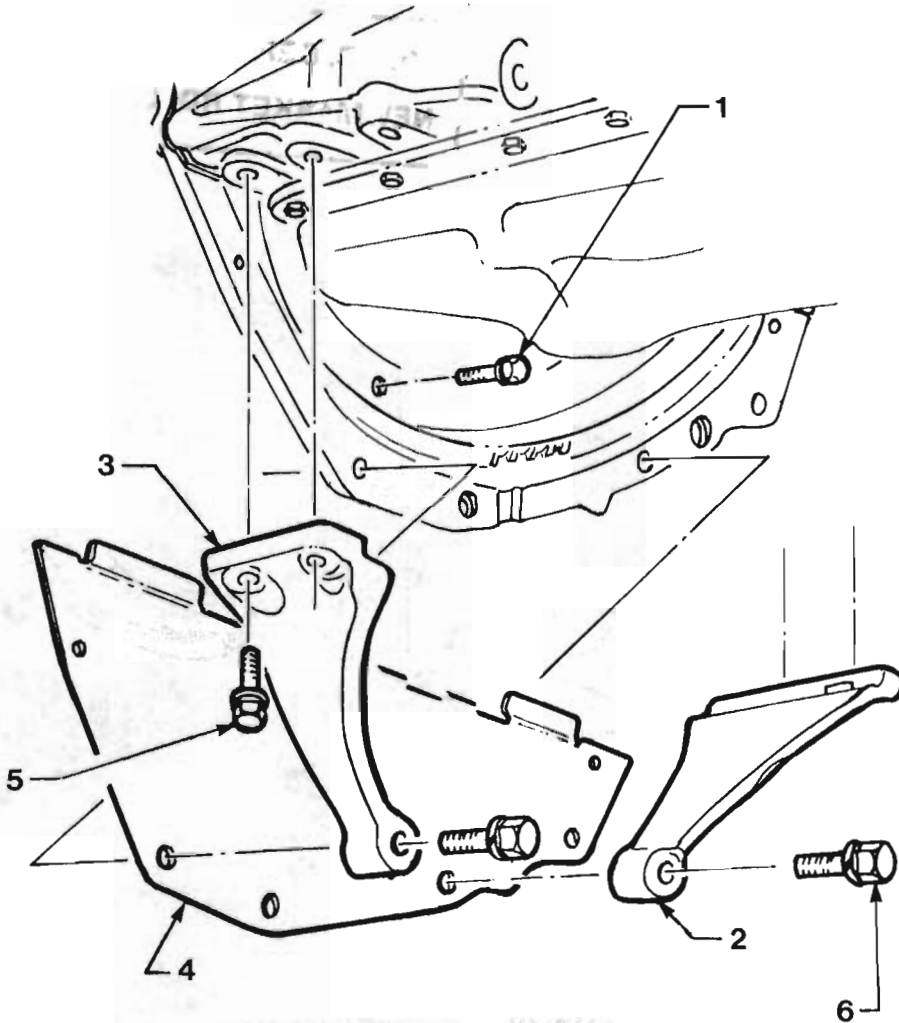
**6 CYLINDER ENGINE WITH AUTOMATIC TRANSMISSION
VL SERIES**

REF. NO.	PART NAME	GROUP
1	HARNESS ASM. - Transmission	4.054R
2	STRAP - Harness to oil filler tube	4.054R
3	STRAP - Harness to bracket	4.054R
4	BRACKET - Harness to transmission	4.054R
5	STRAP - Harness to oil cooler pipe	4.054R
6	SOLENOID ASM. - Downshift	4.265R
7	MODULATOR ASM. - Vacuum	4.205R
8	PIPE - Vacuum modulator	4.205R
9	SOLENOID ASM. - Overdrive release	4.480R
10	SOLENOID ASM. - Converter clutch	4.115R
11	STRAP - Harness to modulator pipe	4.054R
12	BODY - Harness connector	4.054R
13	BOLT - Bracket to transmission	4.054R
14	BRACKET - Harness to transmission	4.054R



**TRANSMISSION MOUNTING
6 CYLINDER ENGINE WITH AUTOMATIC TRANSMISSION
VL SERIES**

REF. NO.	PART NAME	GROUP
1	SUPPORT - Transmission rear mounting.....	4.081R
2	MOUNTING - Transmission support LH.....	4.081R
3	MOUNTING - Transmission support RH.....	4.081R
4	BOLT - Mounting to transmission.....	4.085R
5	NUT - Mounting to support.....	4.085R
6	BOLT - Support to underbody.....	4.081R
7	WASHER - Support to underbody.....	4.081R
8	BRIDGE - Crossmember, Centre.....	7.012
9	SCREW - Bridge to crossmember.....	7.012

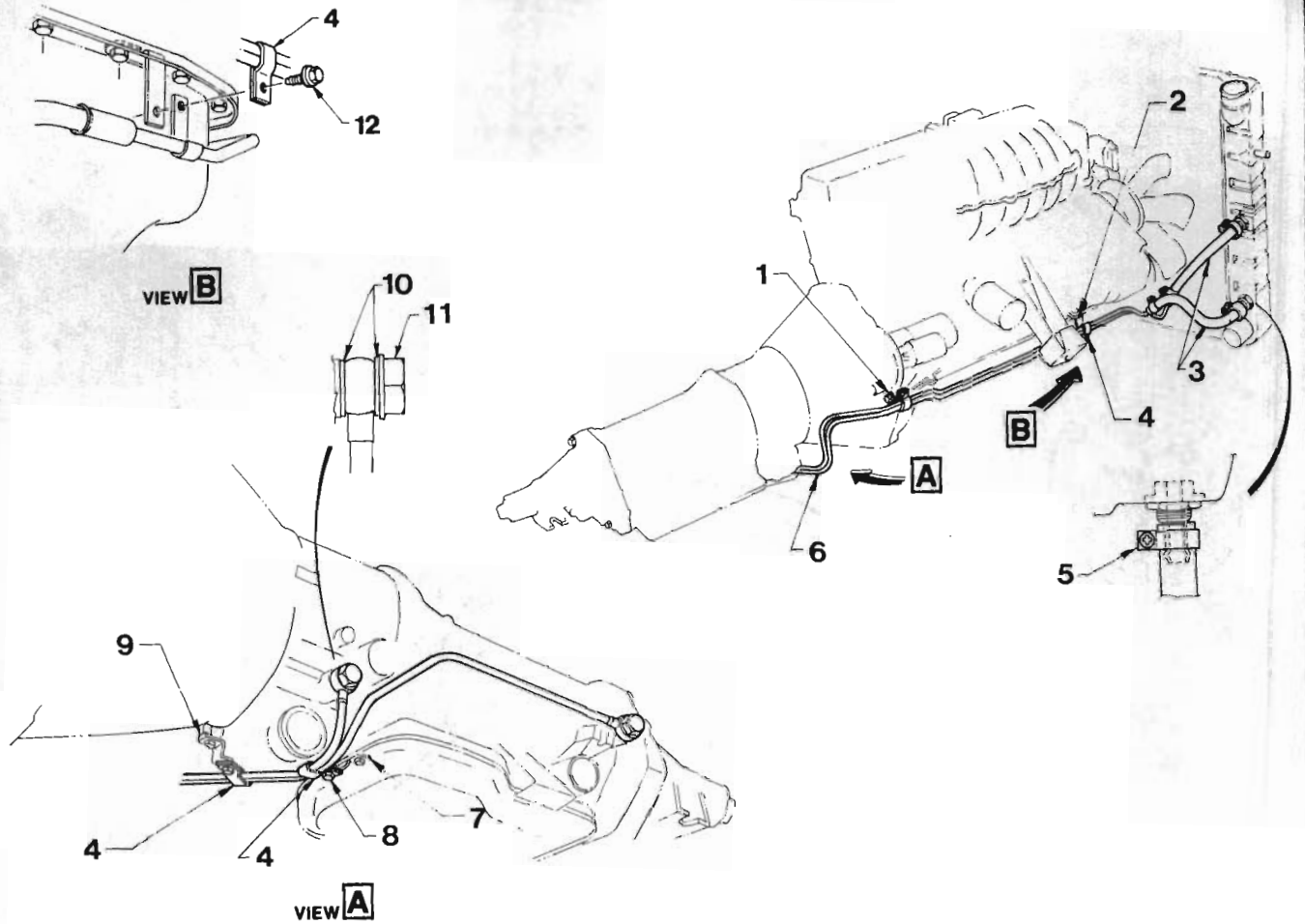


TRANSMISSION TO ENGINE GUSSETS
6 CYLINDER ENGINE WITH AUTOMATIC TRANSMISSION
VL SERIES

REF. NO.	PART NAME	GROUP
1	BOLT - Converter to drive plate.....	4.115R
2	GUSSET - Transmission to engine, LH.....	4.081R
3	GUSSET - Transmission to engine, RH.....	4.081R
4	COVER - Converter housing, Lower.....	0.679M
5	BOLT - Gusset to engine.....	4.081M
6	BOLT - Gusset to transmission.....	4.081M



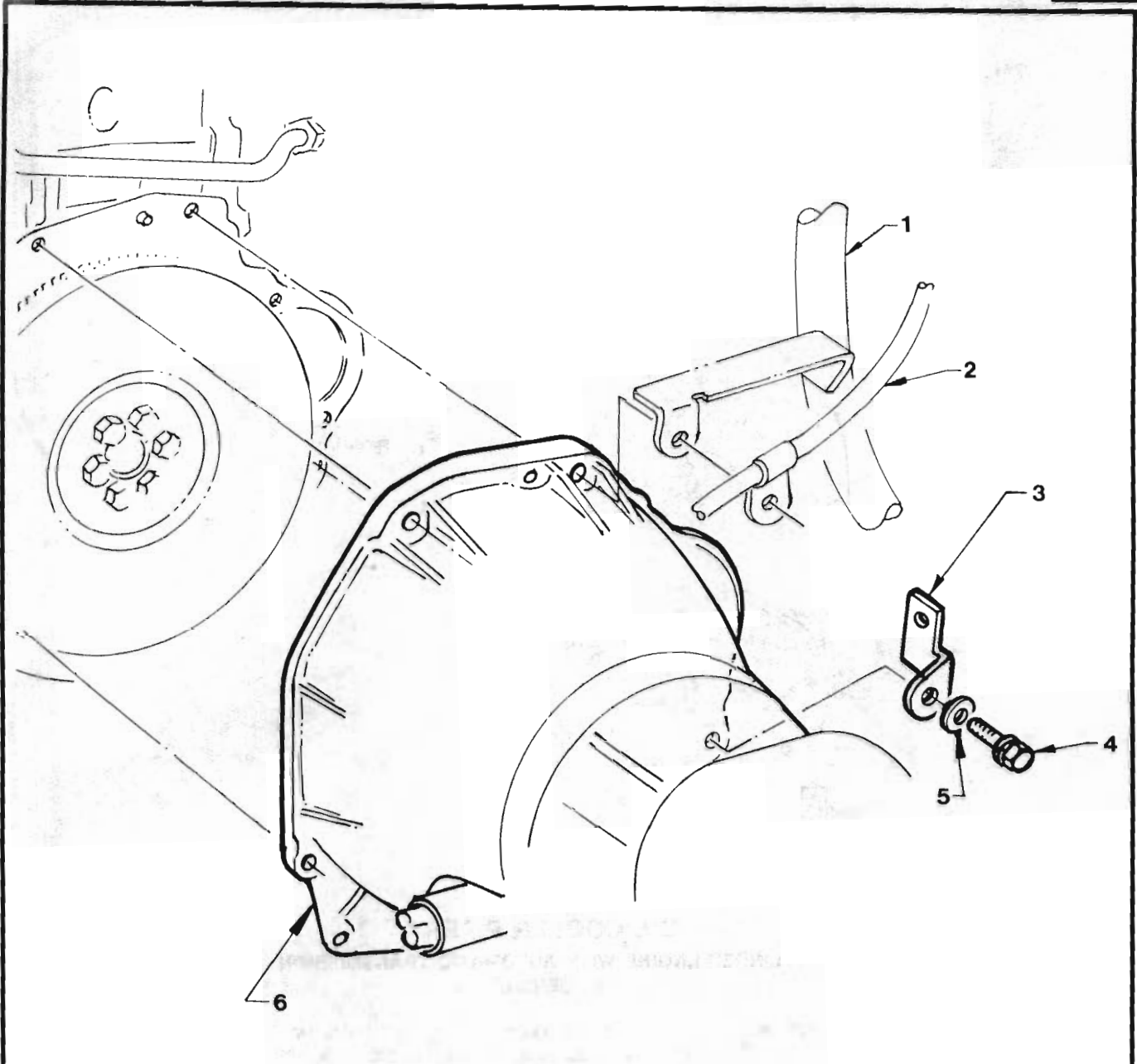
"V" SERIES PARTS CATALOGUE



OIL COOLER PIPES

6 CYLINDER ENGINE WITH AUTOMATIC TRANSMISSION VL SERIES

REF. NO.	PART NAME	GROUP
1	BRACKET - Pipe to converter housing, Front	4.128R
2	BRACKET - Pipe to engine.....	4.128R
3	HOSE - Pipe to radiator.....	4.128R
4	CLIP - Pipe to bracket	4.128R
5	CLAMP - Hose	4.128R
6	PIPE ASM. - Oil cooler	4.128R
7	BRACKET - Pipe to overdrive case.....	4.128R
8	BOLT - Clip.....	4.128R
9	BRACKET - Pipe to converter housing, Rear	4.128R
10	WASHER - Pipe to transmission	4.128R
11	BOLT - Pipe to transmission.....	4.128R
12	BOLT - Clip.....	4.128R

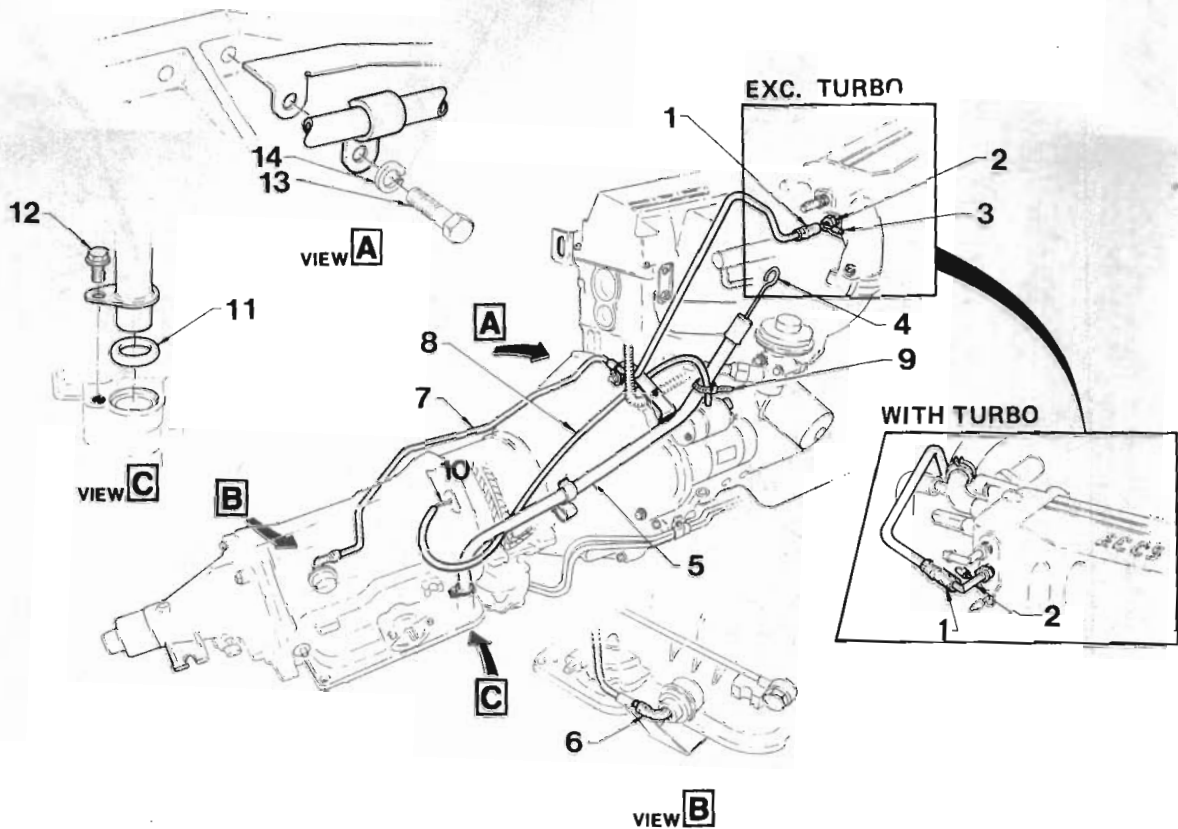


**TRANSMISSION TO ENGINE
6 CYLINDER ENGINE WITH AUTOMATIC TRANSMISSION
VL SERIES**

REF. NO.	PART NAME	GROUP
1	TUBE ASM. - Oil filler.....	4.133R
2	PIPE ASM. - Vacuum modulator.....	4.205R
3	BRACKET - Pipe to converter housing, Front.....	4.128R
4	BOLT - Transmission to engine.....	4.003R
5	WASHER - Transmission to engine.....	4.003R
6	TRANSMISSION ASM.....	4.003R

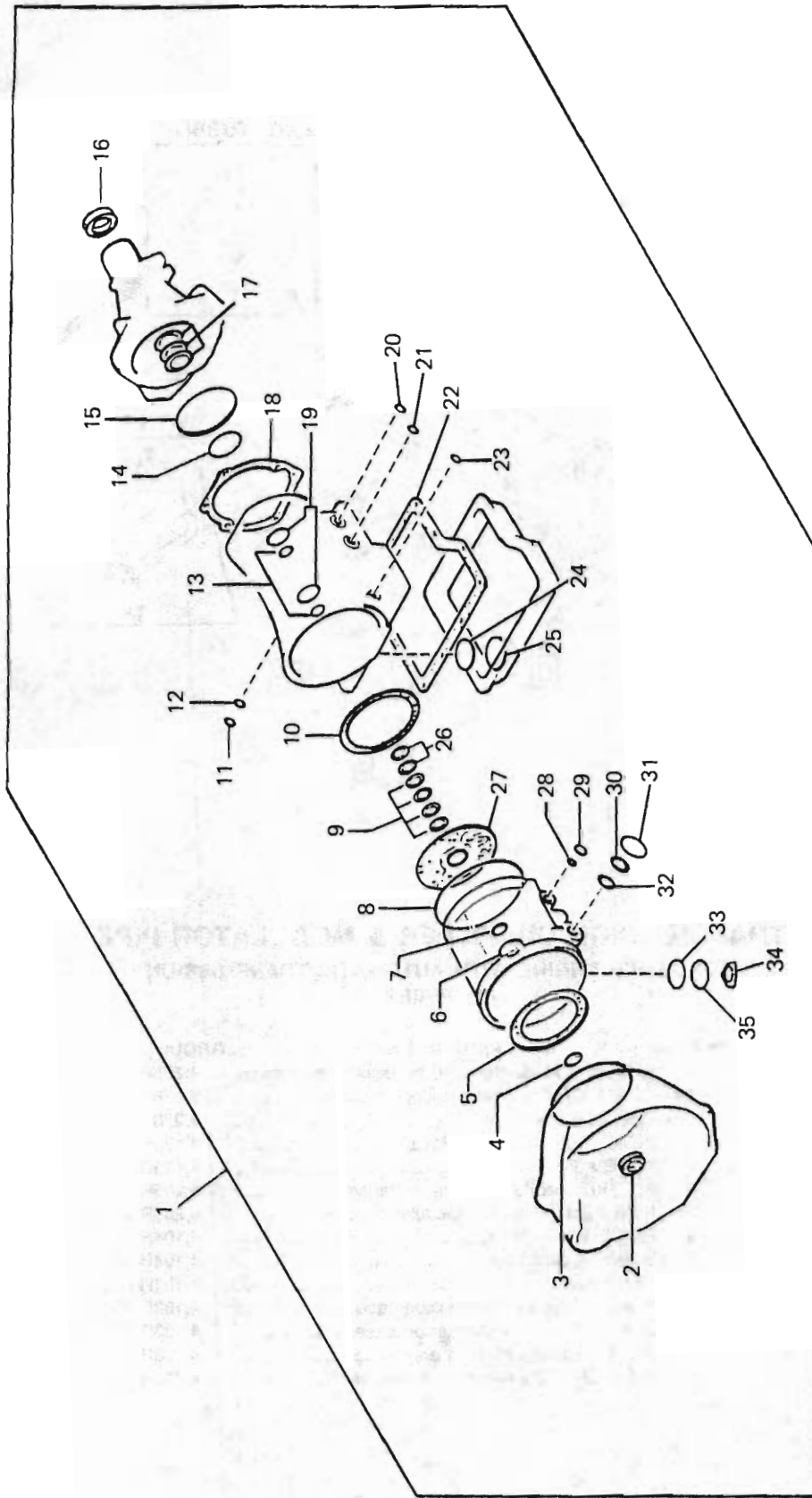


"V" SERIES PARTS CATALOGUE



TRANSMISSION OIL FILLER & MODULATOR PIPE 6 CYLINDER ENGINE WITH AUTOMATIC TRANSMISSION VL SERIES

REF. NO.	PART NAME	GROUP
1	SLEEVE - Modulator pipe to vacuum connector.	4.205R
2	CONNECTOR - Inlet manifold vacuum	3.278
3	CAP - Connector blanking.....	3.278
4	INDICATOR ASM. - Oil level	4.133R
5	TUBE ASM. - Oil filler.....	4.133R
6	SLEEVE - Modulator pipe to transmission.....	4.205R
7	PIPE ASM. - Vacuum modulator	4.205R
8	HOSE ASM. - Vent.....	4.104R
9	STRAP - Vent hose.....	4.104R
10	VENT ASM.....	4.104R
11	SEAL - Tube to transmission case.....	4.133R
12	BOLT - Tube to transmission case.....	4.133R
13	BOLT - Transmission to engine	4.003R
14	WASHER - Transmission to engine.....	4.003R



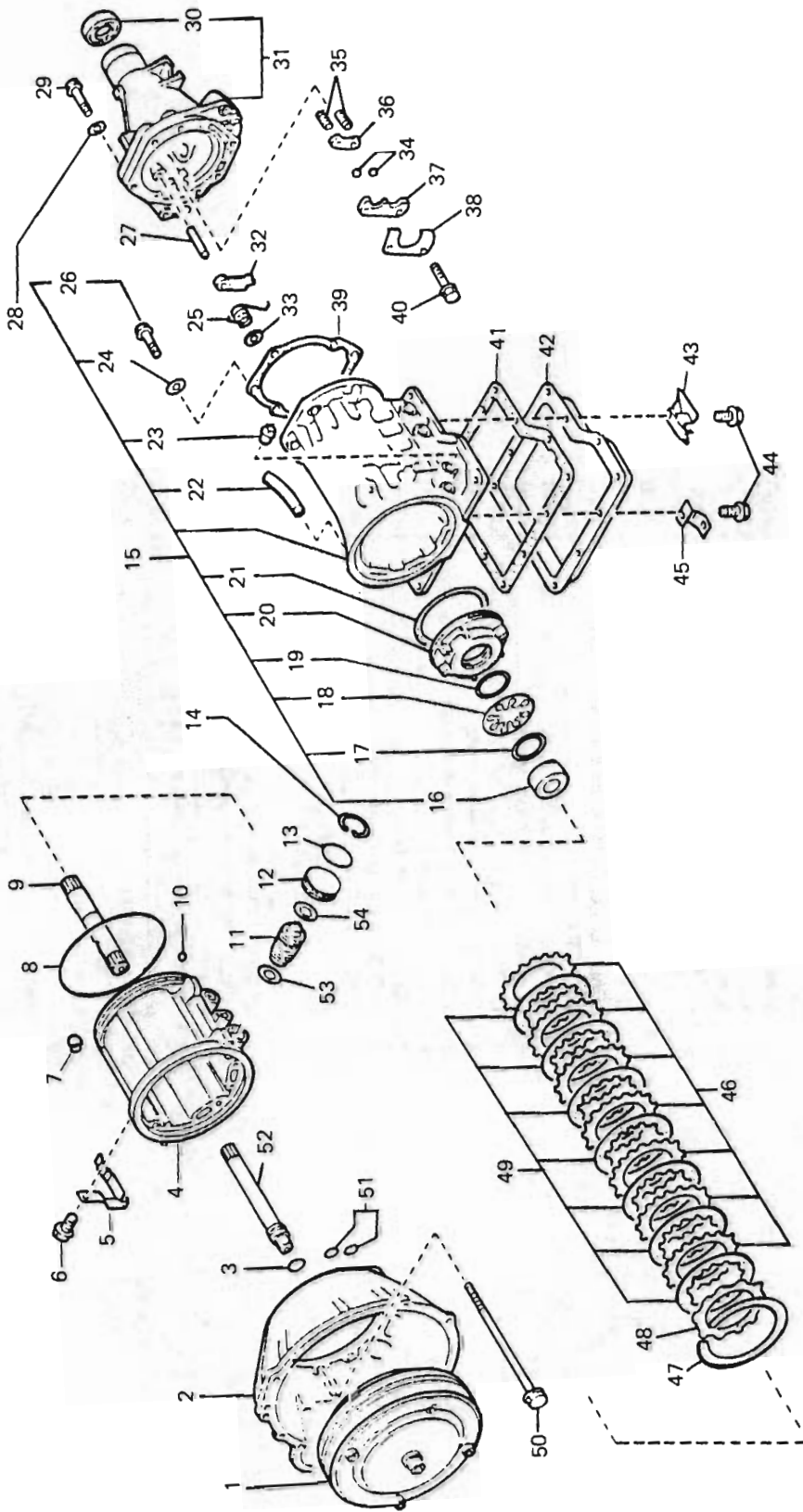


TRANSMISSION GASKET & SEAL KIT
6 CYLINDER ENGINE WITH AUTOMATIC TRANSMISSION
VL SERIES

ILLUSTRATION OPPOSITE

REF. NO.	PART NAME	GROUP
1	GASKET & SEAL SET - Transmission.....	4.005R
2	SEAL - Transmission oil pump housing.....	4.226R
3	SEAL - Cover to housing.....	4.226R
4	SEAL - Input shaft.....	4.123R
5	GASKET - Transmission oil pump.....	4.226R
6	'O' RING - Direct clutch drum.....	4.167R
7	SEAL - Piston.....	4.166R
8	SEAL - Overdrive case.....	4.460R
9	SEAL - Large, Clutch drum support.....	4.162R
10	GASKET - Rear.....	4.162R
11	'O' RING - Selector shaft, Outer.....	4.294R
12	'O' RING - Selector shaft, Inner.....	4.294R
13	'O' RING - Front & rear clutch drum.....	4.167R
14	'O' RING - Low & reverse brake.....	4.166R
15	SEAL - Low & reverse brake piston.....	4.166R
16	SEAL - Extension housing.....	4.318R
17	RING - Seal, Oil distributor.....	4.176R
18	GASKET - Extension housing.....	4.318R
19	SEAL - Clutch piston.....	4.189R
20	'O' RING - Solenoid.....	4.265R
21	'O' RING - Modulator.....	4.205R
22	GASKET - Oil pan.....	4.196R
23	'O' RING - Oil pressure switch hole plug.....	4.104R
24	SEAL - Second brake band servo retainer, Inner.....	4.246R
25	'O' RING - Second brake band servo piston retainer.....	4.246R
26	SEAL - Small.....	4.162R
27	GASKET - Front.....	4.162R
28	'O' RING - Small.....	4.480R
29	'O' RING - Large.....	4.480R
30	RING - Accumulator piston, Outer.....	4.490R
31	'O' RING - Accumulator plug.....	4.490R
32	RING - Accumulator piston, Inner.....	4.490R
33	'O' RING - Overdrive brake band servo piston retainer.....	4.246R
34	'O' RING - Overdrive brake band servo piston.....	4.246R

"V" SERIES PARTS CATALOGUE

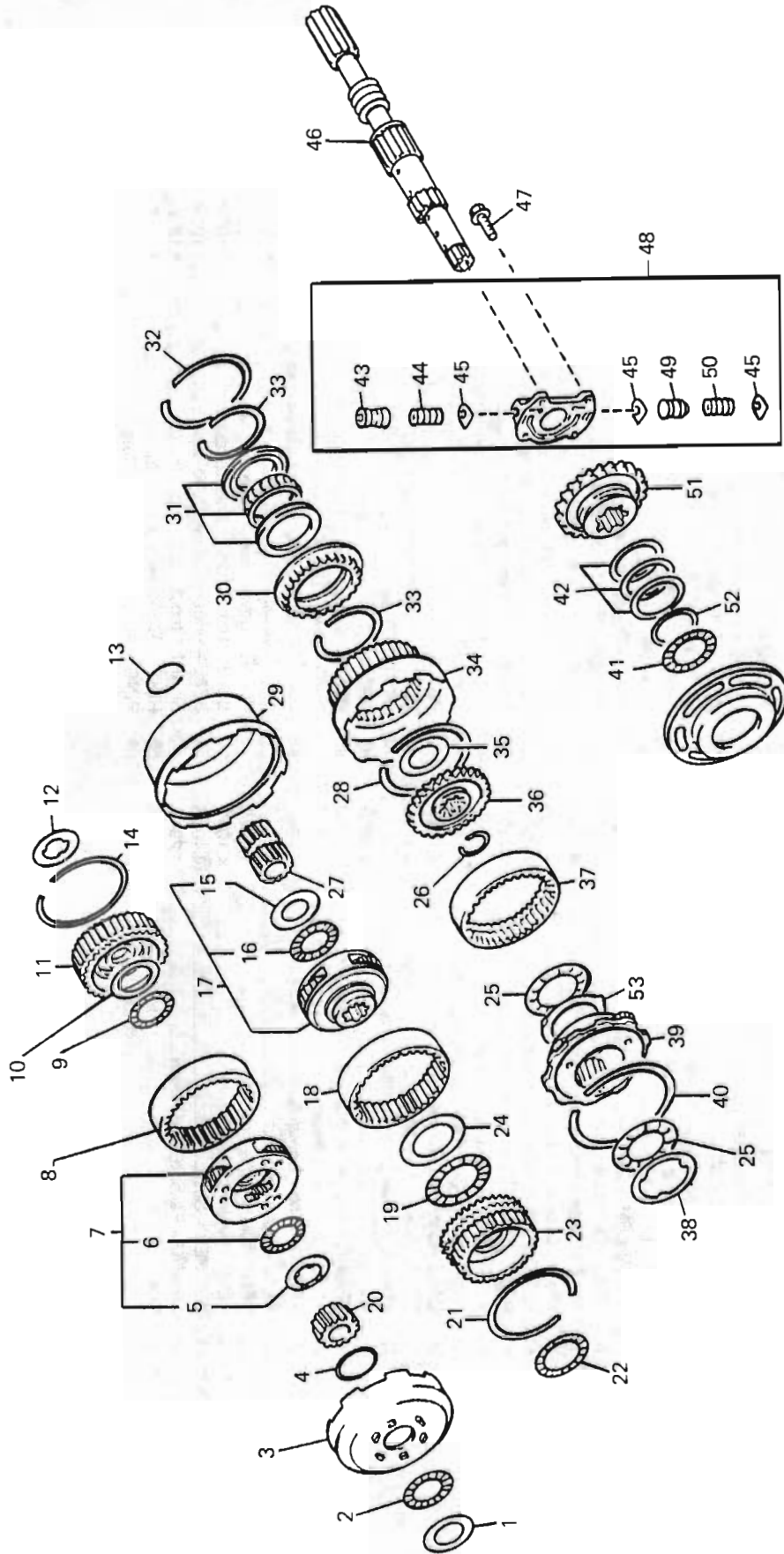




TRANSMISSION CONVERTER CASE & HOUSING
6 CYLINDER ENGINE WITH AUTOMATIC TRANSMISSION
VL SERIES

ILLUSTRATION OPPOSITE

REF. NO.	PART NAME	GROUP	REF. NO.	PART NAME	GROUP
1	CONVERTER ASM.....	4.115R	28	WASHER - Extension housing to case.....	4.319R
2	HOUSING - Converter.....	4.103R	29	BOLT - Extension housing to case.....	4.319R
3	SEAL - Input shaft.....	4.123R	30	SEAL - Extension housing.....	4.317R
4	CASE - Overdrive.....	4.455R	31	HOUSING ASM. - Extension.....	4.317R
5	BRACKET - Pipe to overdrive case.....	4.128R	32	PAWL - Parking.....	4.294R
6	BOLT - Bracket to overdrive case.....	4.128R	33	SPACER - Pawl.....	4.294R
7	VALVE ASM. - One way, Overdrive case.....	4.467R	34	BALL - Parking actuator.....	4.290R
8	SEAL - Overdrive case.....	4.460R	35	SPRING - Parking actuator.....	4.290R
9	SHAFT - Intermediate.....	4.172R	36	RETAINER - Parking actuator ball spring.....	4.290R
10	BALL - Overdrive case.....	4.467R	37	SUPPORT - Parking actuator.....	4.290R
11	PISTON - Overdrive accumulator.....	4.490R	38	PLATE - Parking actuator support.....	4.290R
12	PLUG - Overdrive accumulator.....	4.490R	39	GASKET - Extension housing.....	4.318R
13	'O' RING - Overdrive accumulator plug.....	4.490R	40	BOLT - Parking actuator support plate.....	4.290R
14	RING - Snap. Overdrive accumulator plug.....	4.490R	41	GASKET - Oil pan.....	4.196R
15	CASE ASM. - Transmission.....	4.103R	42	PAN ASM. - Oil.....	4.195R
16	RACE - Low & reverse brake piston, Inner.....	4.164R	43	CLAMP - Vacuum modulator pipe.....	4.205R
17	WASHER - Low & reverse brake piston return spring.....	4.166R	44	BOLT - Oil pan.....	4.196R
18	SPRING - Low & reverse brake piston return.....	4.166R	45	BRACKET - Pipe to converter housing, Rear.....	4.128R
19	'O' RING - Low & reverse brake piston.....	4.166R	46	PLATE - Driven low & reverse brake clutch.....	4.163R
20	PISTON ASM. - Lower & reverse brake.....	4.166R	47	RING - Snap, Low & reverse brake.....	4.166R
21	SEAL - Piston.....	4.166R	48	PLATE - Retaining, Low & reverse brake clutch plate.....	4.163R
22	VENT ASM.....	4.104R	49	PLATE - Drive, Low & reverse brake clutch.....	4.163R
23	PLUG - Square head.....	4.104R	50	BOLT - Housing to overdrive case.....	4.103R
24	WASHER - Case.....	4.103R	51	SEAL - Housing to overdrive case.....	4.103R
25	SPRING - Parking pawl return.....	4.294R	52	SHAFT - Input.....	4.123R
26	BOLT - Case.....	4.103R	53	RING - Accumulator piston, Inner.....	4.490R
27	SHAFT - Pawl.....	4.294R	54	RING - Accumulator piston, Outer.....	4.490R

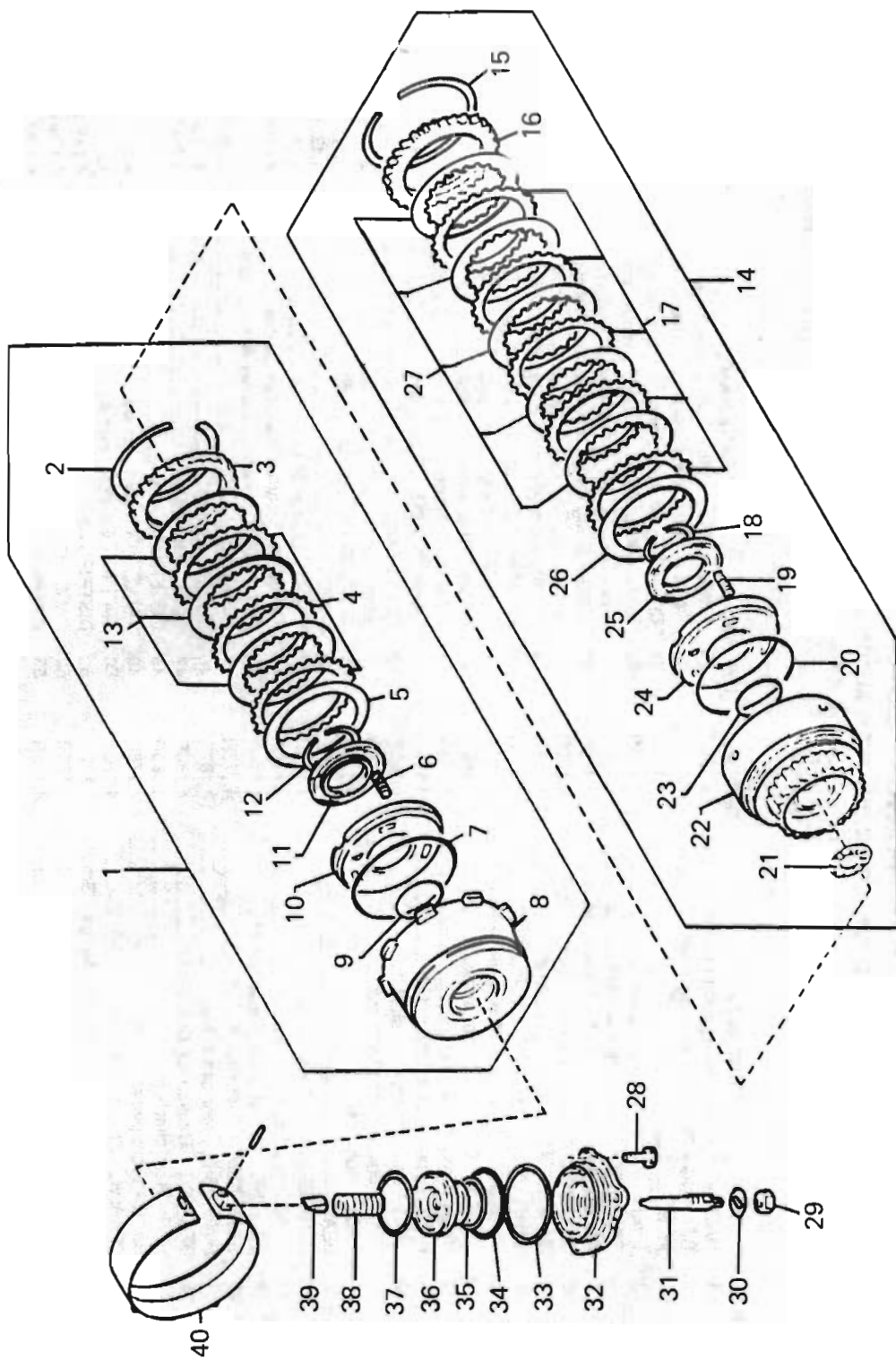




TRANSMISSION CLUTCH & GOVERNOR
6 CYLINDER ENGINE WITH AUTOMATIC TRANSMISSION
VL SERIES

ILLUSTRATION OPPOSITE

REF. NO.	PART NAME	GROUP	REF. NO.	PART NAME	GROUP
1	RACE - Front, connecting shell bearing	4.180R	29	SHELL - Front clutch drum connecting	4.169R
2	BEARING - Thrust, connecting shell bearing - Front	4.180R	30	RACE - Outer, low & reverse one way clutch	4.180R
3	SHELL - Connecting, overdrive	4.175R	31	CLUTCH ASM. - One way low & reverse	4.180R
4	RING - Snap, overdrive sun gear	4.180R	32	RING - Snap, low & reverse, one way clutch race	4.180R
5	RACE - Overdrive carrier front thrust bearing	4.180R	33	RING - Snap, low & reverse, one way clutch to race	4.180R
6	BEARING - Thrust, overdrive carrier - Front	4.180R	34	DRUM - Connecting, rear planetary gear	4.175R
7	CARRIER ASM. - Overdrive planet	4.175R	35	BEARING - Thrust, internal drive gear flange	4.176R
8	GEAR - Overdrive planet - Internal	4.175R	36	FLANGE - Internal drive gear	4.175R
9	BEARING - Thrust, overdrive carrier - Rear	4.180R	37	GEAR - Rear planet, internal	4.175R
10	SLEEVE - Overdrive carrier seal	4.180R	38	WASHER - Transmission connecting shell	4.168R
11	HUB - Direct clutch	4.164R	39	CARRIER ASM. - Rear planet	4.175R
12	RACE - Thrust, direct clutch, hub	4.169R	40	RING - Snap, rear planet carrier to connecting drum	4.176R
13	RING - Snap, connecting shell	4.168R	41	BEARING - Needle thrust, oil distributor	4.176R
14	RING - Snap, direct clutch hub	4.164R	42	RING - Seal, oil distributor	4.176R
15	RACE - Sun gear	4.176R	43	VALVE - Governor secondary	4.256R
16	BEARING - Thrust, sun gear	4.176R	44	SPRING - Governor secondary valve	4.256R
17	CARRIER ASM. - Front planet	4.175R	45	RETAINER - Governor primary & secondary valve	4.256R
18	GEAR - Front planet - Internal	4.175R	46	SHAFT - Output	4.175R
19	BEARING - Thrust, front planet carrier	4.176R	47	BOLT - Governor	4.256R
20	GEAR ASM. - Overdrive sun	4.175R	48	GOVERNOR ASM.	4.256R
21	RING - Snap, rear clutch hub	4.187R	49	VALVE - Governor primary	4.256R
22	BEARING - Thrust, rear clutch hub	4.180R	50	SPRING - Governor primary valve	4.256R
23	HUB - Rear clutch	4.180R	51	DISTRIBUTOR - Oil	4.175R
24	RACE - Front planet carrier	4.176R	52	RACE - Oil distributor	4.176R
25	BEARING - Thrust, rear planet carrier	4.176R	53	WASHER - Transmission planet carrier	4.176R
26	RING - Snap, internal drive gear flange - Small	4.176R			
27	GEAR - Sun, front planet carrier	4.175R			
28	RING - Snap, internal drive gear flange - Large	4.176R			



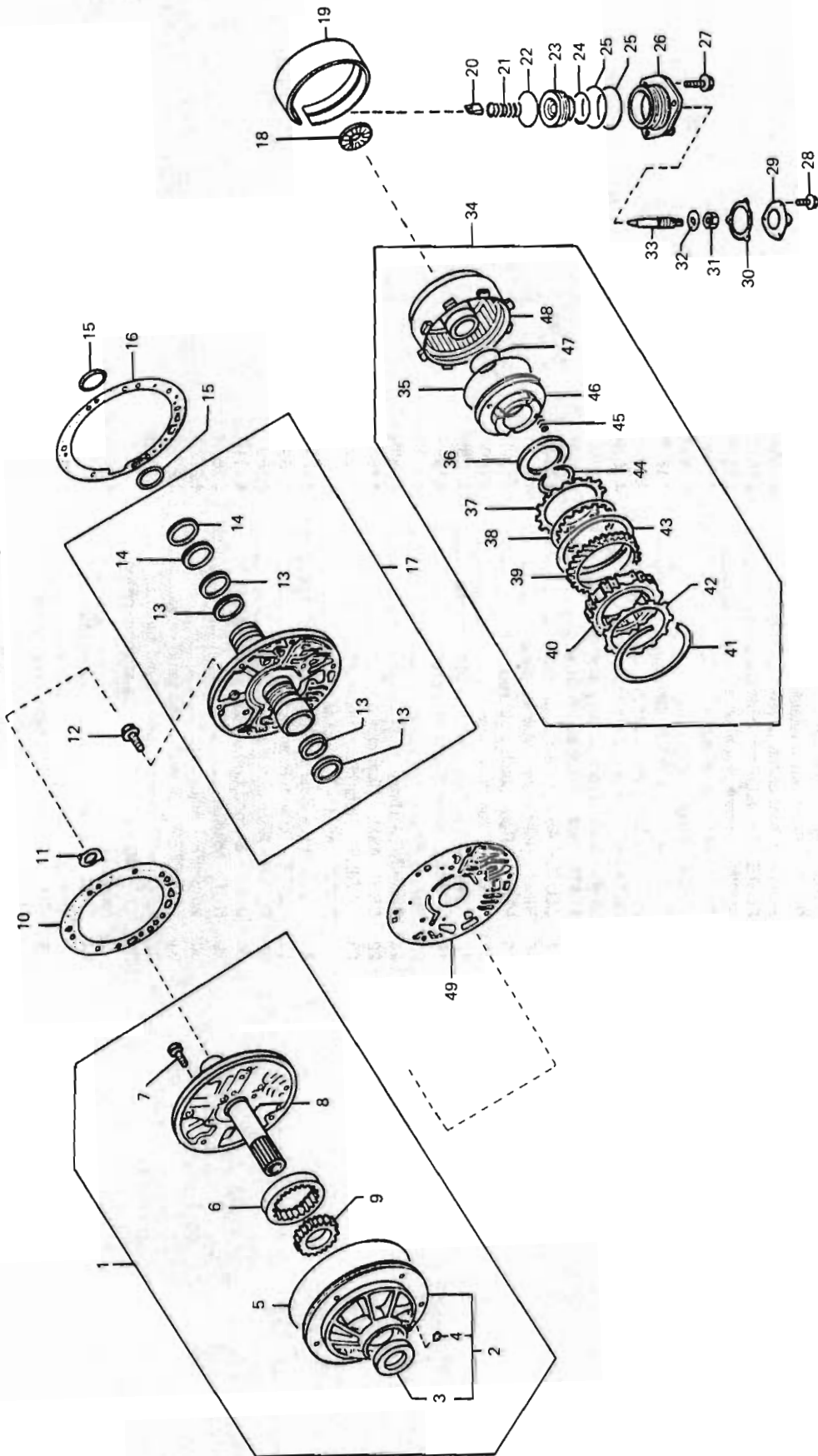


TRANSMISSION SECOND BRAKE BAND, FRONT & REAR CLUTCH
6 CYLINDER ENGINE WITH AUTOMATIC TRANSMISSION
VL SERIES

ILLUSTRATION OPPOSITE

REF. NO.	PART NAME	GROUP
1	CLUTCH ASM. - Front.....	4.164R
2	RING - Snap, Front clutch retaining plate.....	4.163R
3	PLATE - Front clutch retaining.....	4.163R
4	PLATE - Front clutch driven.....	4.163R
5	PLATE - Dished, Front clutch.....	4.163R
6	SPRING - Front clutch piston return.....	4.164R
7	SEAL - Front clutch piston.....	4.166R
8	DRUM - Front clutch.....	4.169R
9	'O' RING - Front clutch drum.....	4.167R
10	PISTON ASM. - Front clutch.....	4.166R
11	RETAINER - Front clutch piston return spring.....	4.164R
12	RING - Snap, Front clutch piston retaining.....	4.166R
13	PLATE ASM. - Front clutch drive.....	4.163R
14	CLUTCH ASM. - Rear.....	4.180R
15	RING - Rear clutch retaining plate.....	4.187R
16	PLATE - Rear clutch plate retaining.....	4.189R
17	PLATE - Rear clutch driven.....	4.189R
18	RING - Snap, Rear clutch piston retaining.....	4.189R
19	SPRING - Rear clutch piston return.....	4.189R
20	SEAL - Rear clutch piston.....	4.189R
21	BEARING - Thrust, Rear clutch drum.....	4.180R
22	DRUM ASM. - Rear clutch.....	4.180R
23	'O' RING - Rear clutch drum.....	4.189R
24	PISTON ASM. - Rear clutch.....	4.189R
25	RETAINER - Rear clutch piston return spring.....	4.189R
26	PLATE - Dished, Rear clutch.....	4.189R
27	PLATE - Rear clutch drive.....	4.189R
28	BOLT - Second brake band servo retainer.....	4.241R
29	NUT - Adjuster.....	4.253R
30	WASHER - Adjuster.....	4.253R
31	ADJUSTER - Second brake band servo.....	4.253R
32	RETAINER - Second brake band servo.....	4.246R
33	'O' RING - Second brake band servo piston retainer.....	4.246R
34	SEAL - Second brake band servo retainer, Inner.....	4.246R
35	SEAL - Second brake band servo piston, Lower.....	4.242R
36	PISTON - Second brake band servo.....	4.241R
37	SEAL - Second brake band servo piston, Upper.....	4.242R
38	SPRING - Second brake band servo piston return.....	4.246R
39	STRUT - Brake band.....	4.246R
40	BAND ASM. - Second brake.....	4.251R

"V" SERIES PARTS CATALOGUE



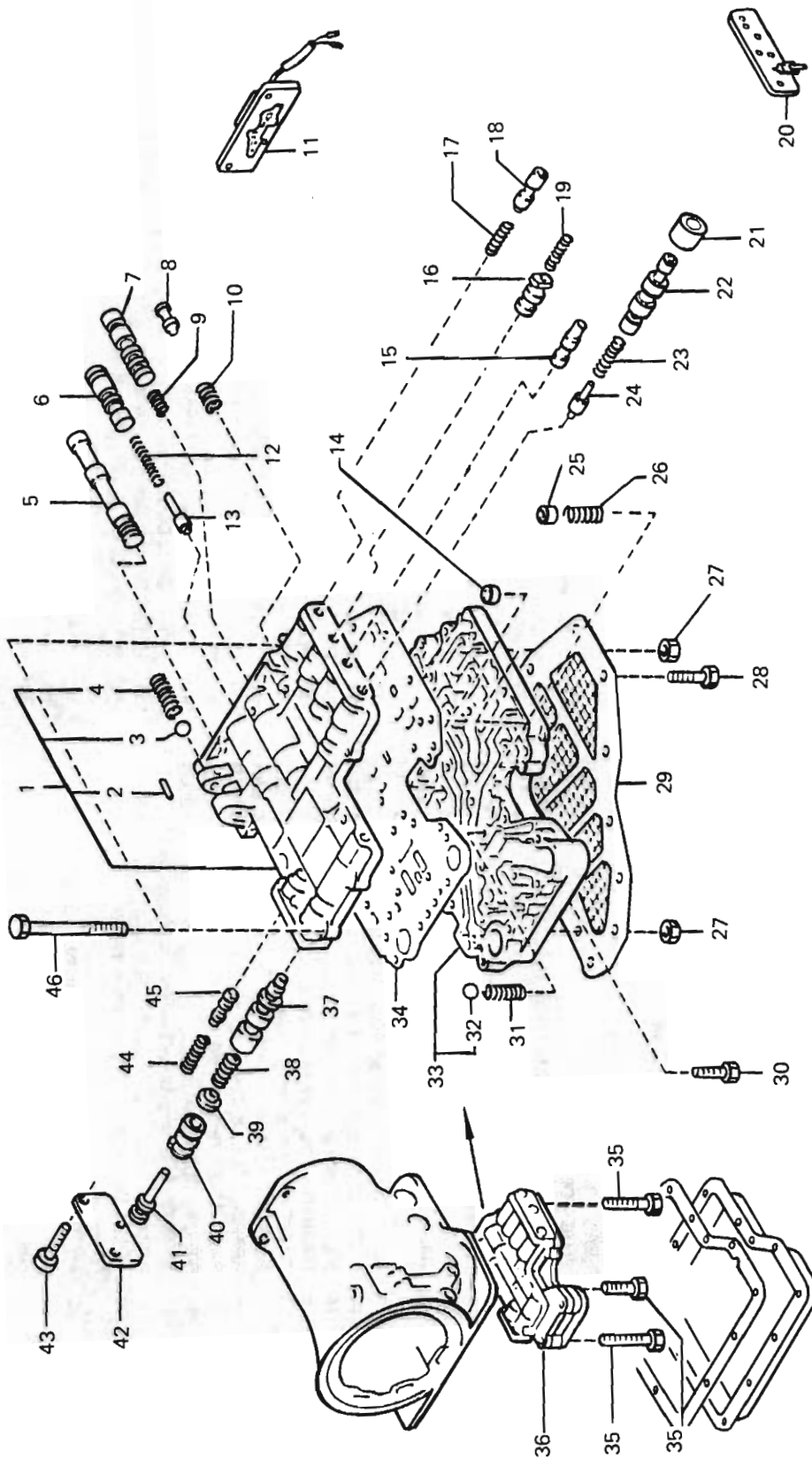


TRANSMISSION OIL PUMP & DIRECT CLUTCH
6 CYLINDER ENGINE WITH AUTOMATIC TRANSMISSION
VL SERIES

ILLUSTRATION OPPOSITE

REF. NO.	PART NAME	GROUP	REF. NO.	PART NAME	GROUP
1	PUMP ASM. - Oil.....	4.224R	26	RETAINER - Overdrive brake band servo piston	4.246R
2	HOUSING ASM. - Oil pump.....	4.224R	27	BOLT - Overdrive brake band servo retainer.....	4.241R
3	SEAL - Oil pump housing.....	4.226R	28	BOLT - Overdrive brake band servo retainer cover.....	4.241R
4	PLUG - Oil pump housing.....	4.224R	29	COVER - Overdrive brake band servo retainer.....	4.241R
5	SEAL - Oil pump cover to housing.....	4.226R	30	GASKET - Overdrive brake band servo retainer cover.....	4.241R
6	GEAR - Outer, Oil pump.....	4.224R	31	NUT - Overdrive brake band servo adjuster.....	4.253R
7	BOLT - Cover to housing.....	4.226R	32	WASHER - Overdrive brake band servo adjuster.....	4.253R
8	COVER ASM. - Oil pump.....	4.224R	33	ADJUSTER - Overdrive brake band servo.....	4.164R
9	GEAR - Inner, Oil pump.....	4.224R	34	CLUTCH ASM. - Direct.....	4.164R
10	GASKET - Oil pump.....	4.226R	35	SEAL - Direct clutch piston.....	4.166R
11	RACE - Clutch drum support.....	4.162R	36	RETAINER - Direct clutch piston return spring.....	4.163R
12	BOLT - Clutch drum support.....	4.162R	37	PLATE - Direct clutch driven.....	4.163R
13	SEAL - Clutch drum support, Large.....	4.162R	38	PLATE - Direct clutch drive.....	4.163R
14	SEAL - Clutch drum support, Small.....	4.162R	39	PLATE - Direct clutch retaining.....	4.164R
15	WASHER - Thrust, Front clutch.....	4.164R	40	CLUTCH ASM. - One way direct.....	4.164R
16	GASKET - Drum support, Rear.....	4.162R	41	RING - Direct clutch retaining plate.....	4.163R
17	SUPPORT ASM. - Clutch drum.....	4.162R	42	RETAINER - Direct clutch plate.....	4.163R
18	BEARING - Thrust, Direct clutch drum.....	4.164R	43	RING - Snap, Direct clutch.....	4.166R
19	BAND ASM. - Brake overdrive.....	4.251R	44	RING - Direct clutch piston retaining.....	4.166R
20	STRUT - Brake band.....	4.246R	45	SPRING - Direct clutch piston return.....	4.164R
21	SPRING - Overdrive brake band servo piston return.....	4.246R	46	PISTON ASM. - Direct clutch.....	4.166R
22	SEAL - Overdrive brake band servo piston, Upper.....	4.242R	47	'O' RING - Direct clutch drum.....	4.167R
23	PISTON - Overdrive brake band servo.....	4.241R	48	DRUM ASM. - Direct clutch.....	4.168R
24	SEAL - Overdrive brake band servo piston, Lower.....	4.242R	49	GASKET - Drum support, Front.....	4.162R
25	'O' RING - Overdrive brake band servo piston retainer.....	4.246R			

"V" SERIES PARTS CATALOGUE

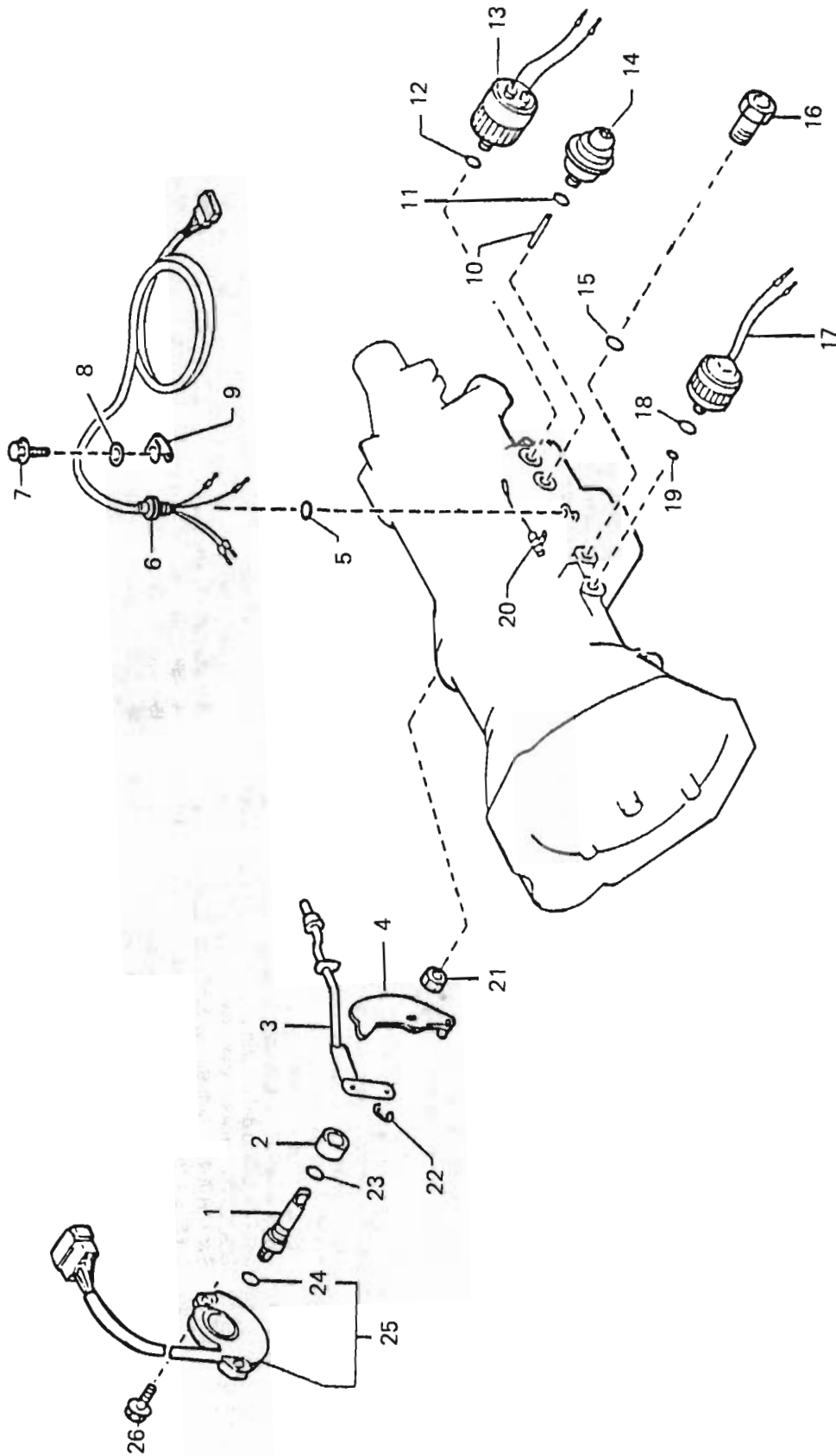




TRANSMISSION VALVE BODY
6 CYLINDER ENGINE WITH AUTOMATIC TRANSMISSION
VL SERIES

ILLUSTRATION OPPOSITE

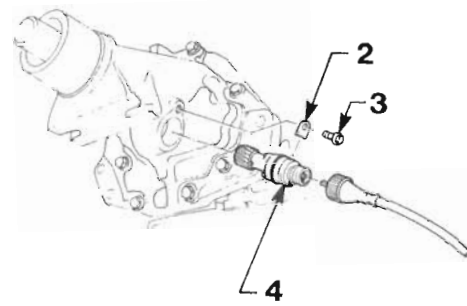
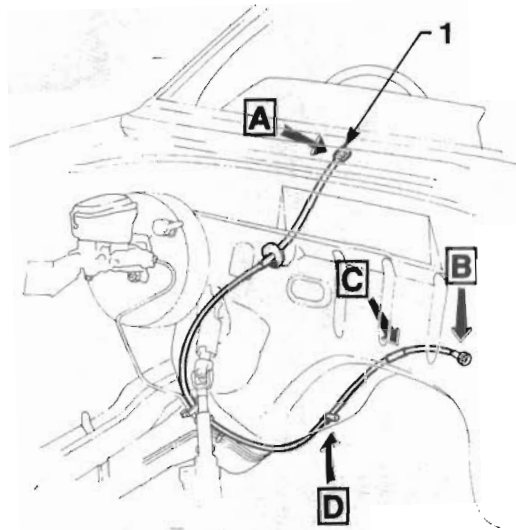
REF. NO.	PART NAME	GROUP	REF. NO.	PART NAME	GROUP
1	BODY ASM. - Valve upper.....	4.265R	24	PLUG - Third & fourth shift valve.....	4.265R
2	PIN - Manual detent spring.....	4.265R	25	VALVE - Orifice check, Front.....	4.265R
3	BALL - Manual detent.....	4.265R	26	SPRING - Orifice check valve.....	4.265R
4	SPRING - Manual detent.....	4.265R	27	NUT - Lower valve body to upper valve body.....	4.265R
5	VALVE - Manual.....	4.265R	28	SCREW - Oil strainer to valve body.....	4.265R
6	VALVE - Second & third shift.....	4.265R	29	STRAINER ASM. - Oil.....	4.265R
7	VALVE - First & second shift.....	4.265R	30	SCREW - Lower valve body.....	4.265R
8	VALVE - Pressure modifier.....	4.265R	31	SPRING - Throttle relief ball.....	4.265R
9	SPRING - First & second shift valve.....	4.265R	32	BALL - Throttle relief.....	4.265R
10	SPRING - Pressure modifier valve.....	4.265R	33	BODY ASM. - Valve lower.....	4.265R
11	SWITCH ASM. - Shift A.....	4.265R	34	PLATE - Transfer.....	4.265R
12	SPRING - Second & third shift valve.....	4.265R	35	BOLT - Valve body to case.....	4.265R
13	PLUG - Second & third shift valve.....	4.265R	36	BODY ASM. - Valve (complete).....	4.265R
14	VALVE - Orifice check, Rear.....	4.265R	37	VALVE - Pressure regulator.....	4.265R
15	VALVE - Throttle vacuum.....	4.265R	38	SPRING - Pressure regulator valve.....	4.265R
16	VALVE - Throttle reverse.....	4.265R	39	SEAT - Pressure regulator valve spring.....	4.265R
17	SPRING - Solenoid downshift valve.....	4.265R	40	SLEEVE - Pressure regulator valve plug.....	4.265R
18	VALVE - Solenoid downshift.....	4.265R	41	PLUG - Pressure regulator valve.....	4.265R
19	SPRING - Throttle reverse valve.....	4.265R	42	PLATE - Side D.....	4.265R
20	SWITCH ASM. - Shift B.....	4.265R	43	SCREW - D side plate.....	4.265R
21	SLEEVE - Third & fourth shift valve.....	4.265R	44	SPRING - Second lock valve.....	4.265R
22	VALVE - Third & fourth shift.....	4.265R	45	VALVE - Second lock.....	4.265R
23	SPRING - Third & fourth shift valve.....	4.265R	46	BOLT - Lower valve body to upper valve body.....	4.265R



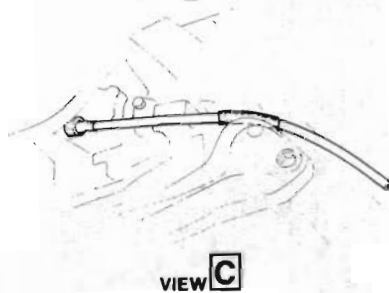


TRANSMISSION PARK LOCK & RANGE SELECTOR
6 CYLINDER ENGINE WITH AUTOMATIC TRANSMISSION
VL SERIES

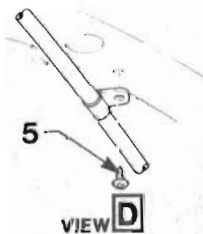
REF. NO.	PART NAME	GROUP
1	SHAFT ASM. - Park lock & range selector.....	4.294R
2	WASHER - Selector shaft.....	4.294R
3	ACTUATOR - Park lock & range selector.....	4.290R
4	LEVER - Park lock & range selector, Inner.....	4.279R
5	'O' RING - Neutral start switch harness.....	4.054R
6	HARNES ASM. - Transmission, Neutral start.....	4.054R
7	BOLT - Oil temperature sensor.....	4.054R
8	WASHER - Oil temperature sensor.....	4.054R
9	RETAINER - Oil temperature sensor.....	4.054R
10	ROD - Vacuum modulator.....	4.205R
11	'O' RING - Vacuum modulator.....	4.205R
12	'O' RING - Downshift solenoid.....	4.265R
13	SOLENOID ASM. - Downshift.....	4.265R
14	MODULATOR ASM. - Vacuum.....	4.205R
15	'O' RING - Oil pressure switch hole plug.....	4.104R
16	PLUG - Oil pressure switch hole.....	4.104R
17	SOLENOID ASM. - Overdrive release.....	4.480R
18	'O' RING - Overdrive release solenoid, Large.....	4.480R
19	'O' RING - Overdrive release solenoid, Small.....	4.480R
20	SENSOR - Oil temperature.....	4.054R
21	NUT - Lever attaching.....	4.279R
22	RING - Snap, Actuator to lever.....	4.290R
23	'O' RING - Selector shaft, Inner.....	4.294R
24	'O' RING - Selector shaft, Outer.....	4.294R
25	SWITCH ASM. - Neutral start.....	4.054R
26	BOLT - Neutral start switch attaching.....	4.054R



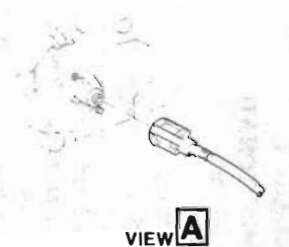
VIEW B



VIEW C



VIEW D

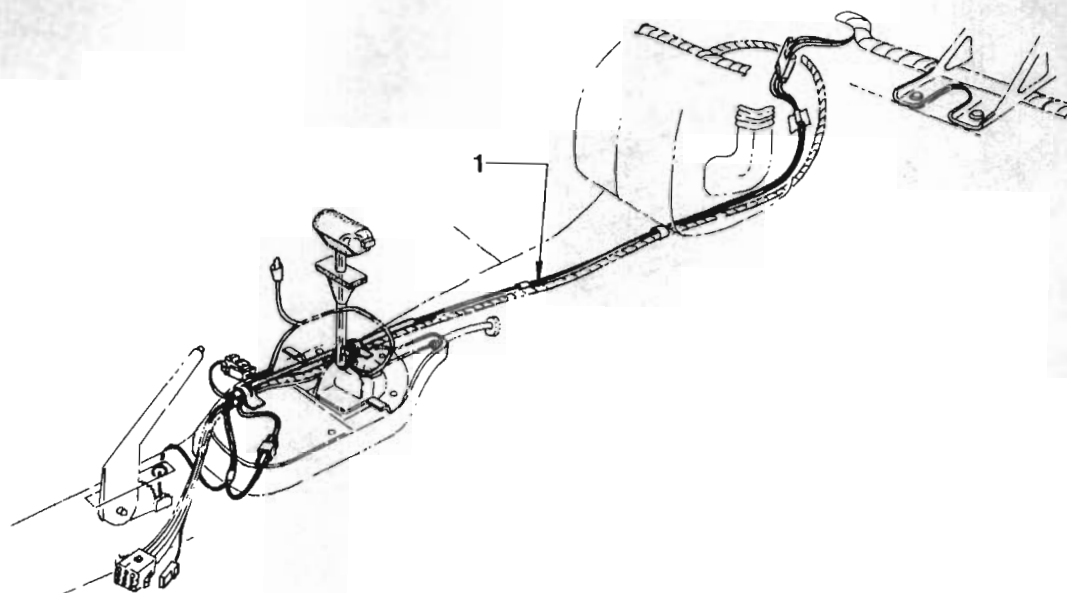


VIEW A

SPEEDOMETER CABLE & GEAR

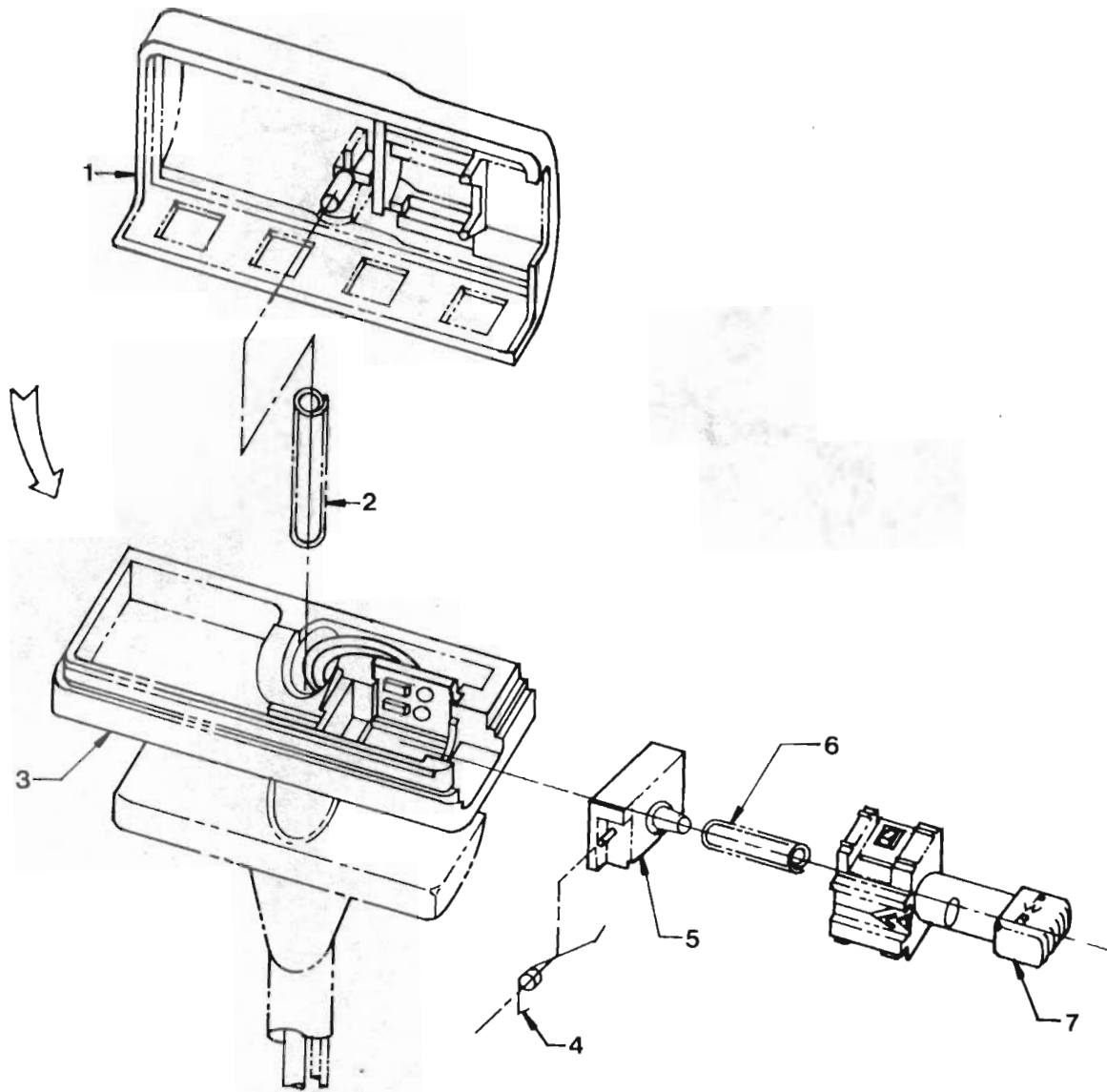
**6 CYLINDER ENGINE WITH AUTOMATIC TRANSMISSION
VL SERIES**

REF. NO.	PART NAME	GROUP
1	CABLE & CASING ASM. - Speedometer.....	4.342R
2	RETAINER - Speedometer driven gear.....	4.338R
3	BOLT - Retainer to transmission.....	4.338R
4	GEAR - Speedometer driven	4.337R
5	SCREW - Cable to floor pan	4.342R



**AUTOMATIC SHIFT HARNESS
6 CYLINDER ENGINE WITH AUTOMATIC TRANSMISSION
VL SERIES**

REF. NO.	PART NAME	GROUP
1	HARNESS ASM - Auto shift	4.054R



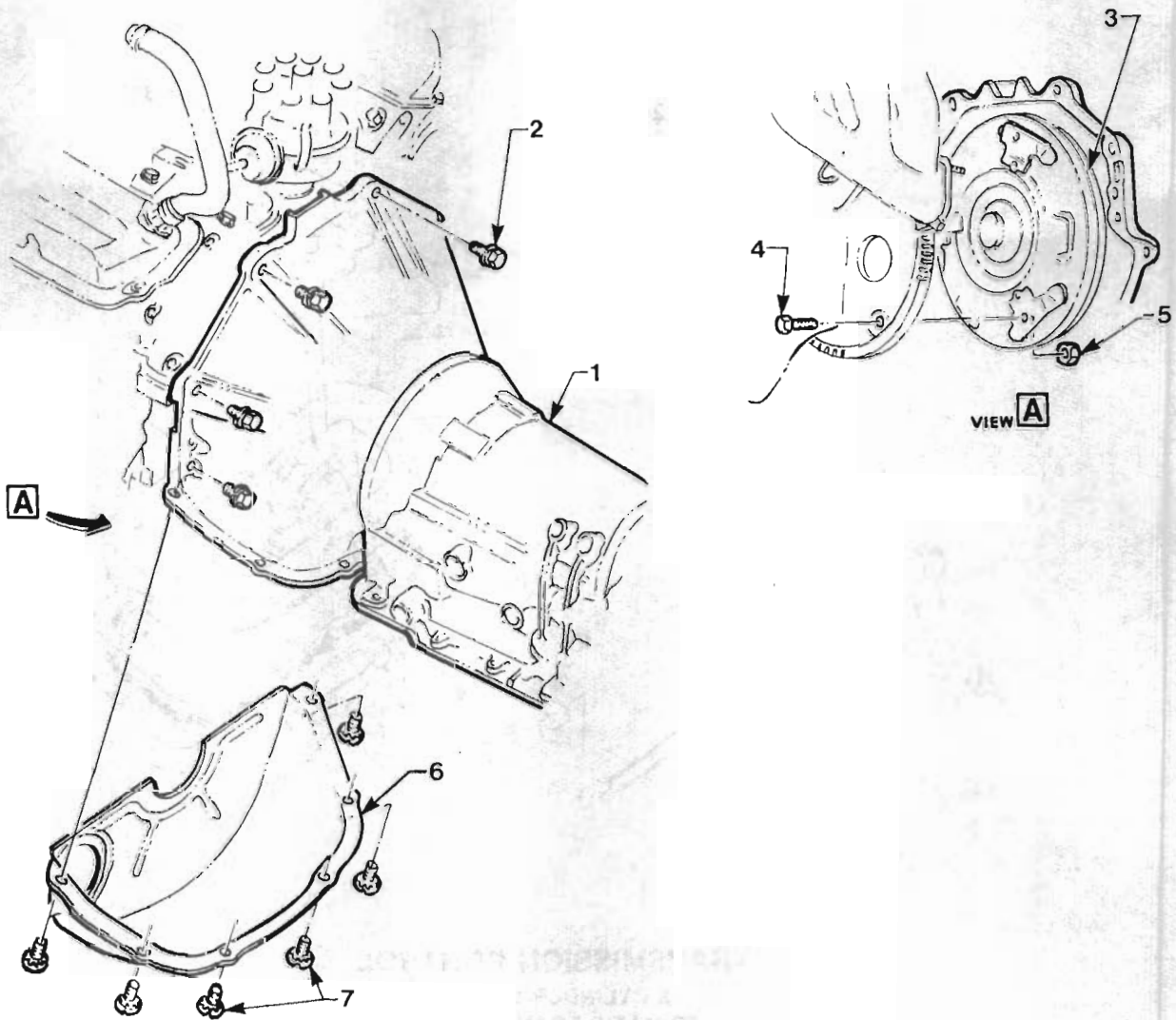


TRANSMISSION CONTROL POWER SHIFT SWITCH AND COVER ASM
6 CYLINDER ENGINE WITH TRIMATIC TRANSMISSION
VL SERIES

ILLUSTRATION OPPOSITE

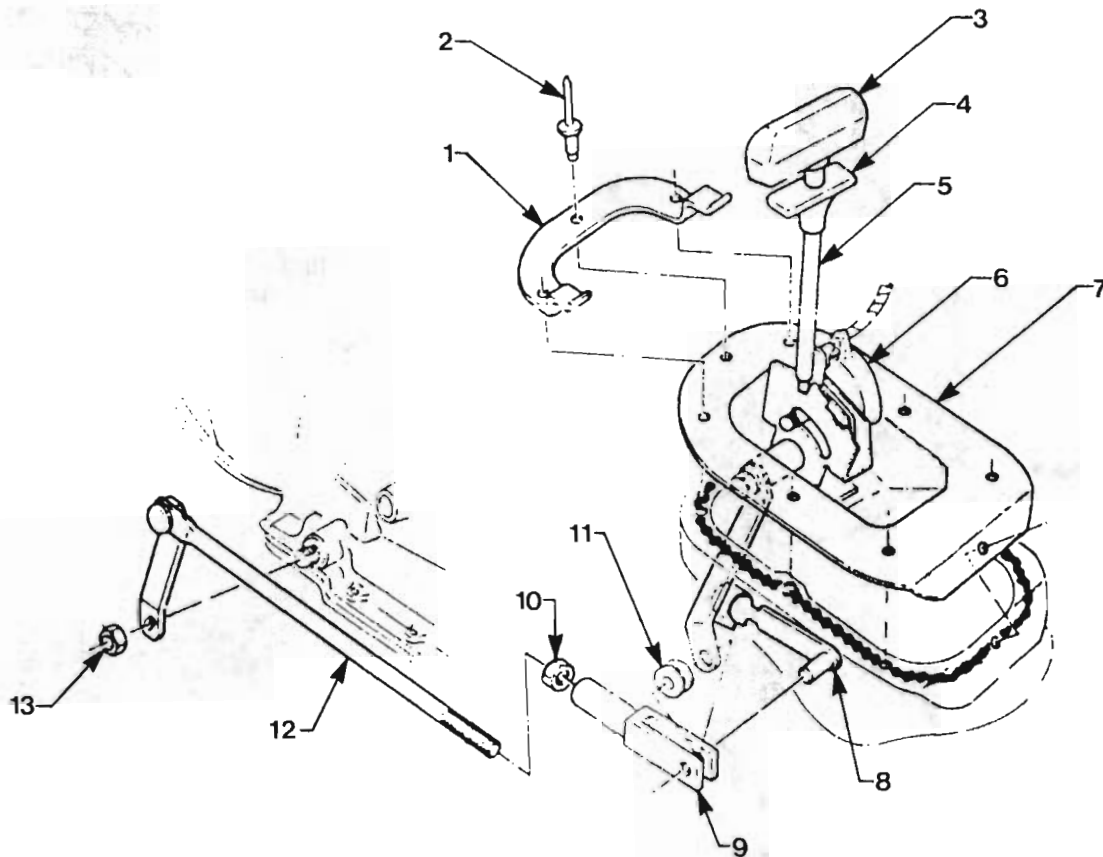
REF. NO.	PART NAME	GROUP
1	COVER - Control lever switch upper	4.008
2	SPRING - Control lever detent	4.006
3(A)	BASE COVER - Switch asm.....	N.S.S
4(A)	SPRING - Torsion	N.S.S
5(A)	PLATE - Spring.....	N.S.S
6(A)	SPRING - Compression switch	N.S.S
7(A)	SWITCH ASM - Power shift	N.S.S

NOTE:- (A Parts are included in switch kit. Refer Group 4.057



TRANSMISSION TO ENGINE
8 CYLINDER ENGINE
TRIMATIC TRANSMISSION
VL SERIES

REF. NO.	PART NAME	GROUP
1	TRANSMISSION ASM.....	4.003U
2	BOLT - Transmission to engine.....	4.003U
3	CONVERTER ASM.....	4.115U
4	BOLT - Converter to drive plate.....	4.115U
5	NUT - Converter to drive plate.....	4.115U
6	COVER - Lower.....	0.679T
7	BOLT - Lower cover to converter housing.....	0.679T

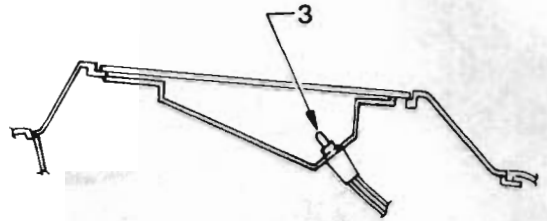
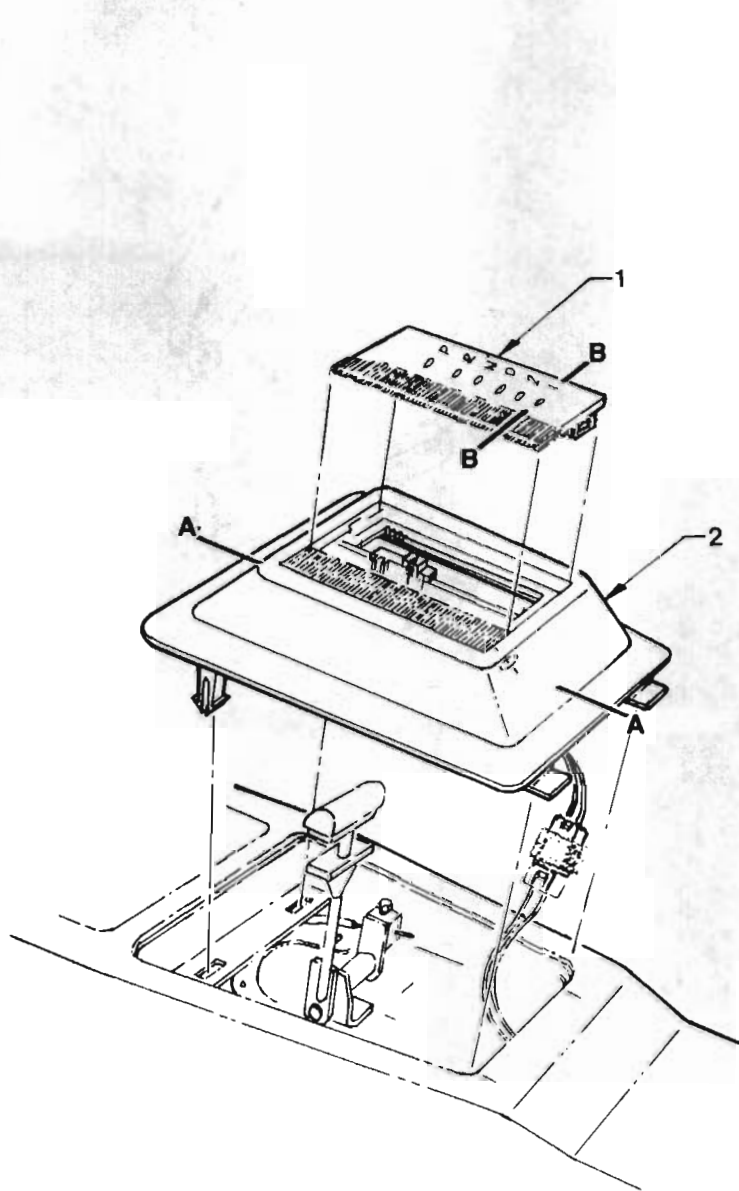


TRANSMISSION CONTROL
8 CYLINDER ENGINE
TRIMATIC TRANSMISSION
VL SERIES

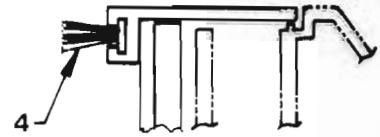
REF. NO.	PART NAME	GROUP
1	BRACKET - Front console mounting.....	10.240
2	RIVET - Control to floor.....	4.010U
3A)	HANDLE - Lever upper.....	4.006U
4A)	HANDLE - Lever lower.....	N.S.S.
4B)		N.S.S.
5A)	LEVER, GATE & HANDLE ASM.	4.004U
5B)		4.004U
6B)	SWITCH & HARNESS ASM. - Neutral starting....	4.054U
7B)	GATE & SUPPORT ASM.....	4.010U
8	BOLT - Selector shaft yoke to control lever.....	4.037U
9	YOKE - Selector shaft.....	4.037U
10	NUT - Selector shaft yoke to control rod - Lock	4.037U
11	INSULATOR - Yoke to control lever.....	4.037U
12	ROD & LEVER ASM.....	4.045U
13	NUT - Lever.....	4.045U

NOTE:- (A Part of lever & handle asm. Refer Group 4.006U

NOTE:- (B Part of lever, gate & handle asm. Refer Group 4.004U



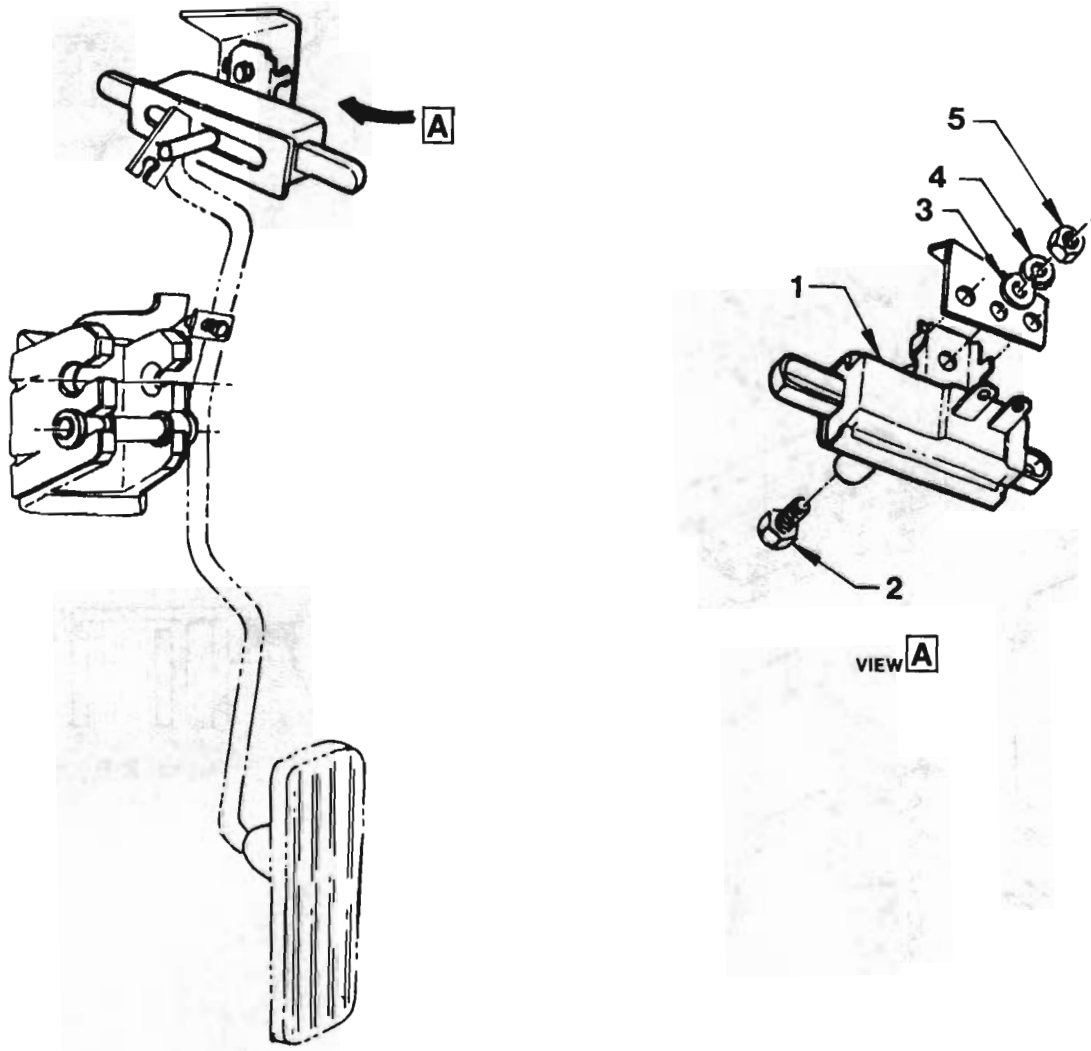
SECTION A-A



SECTION B-B

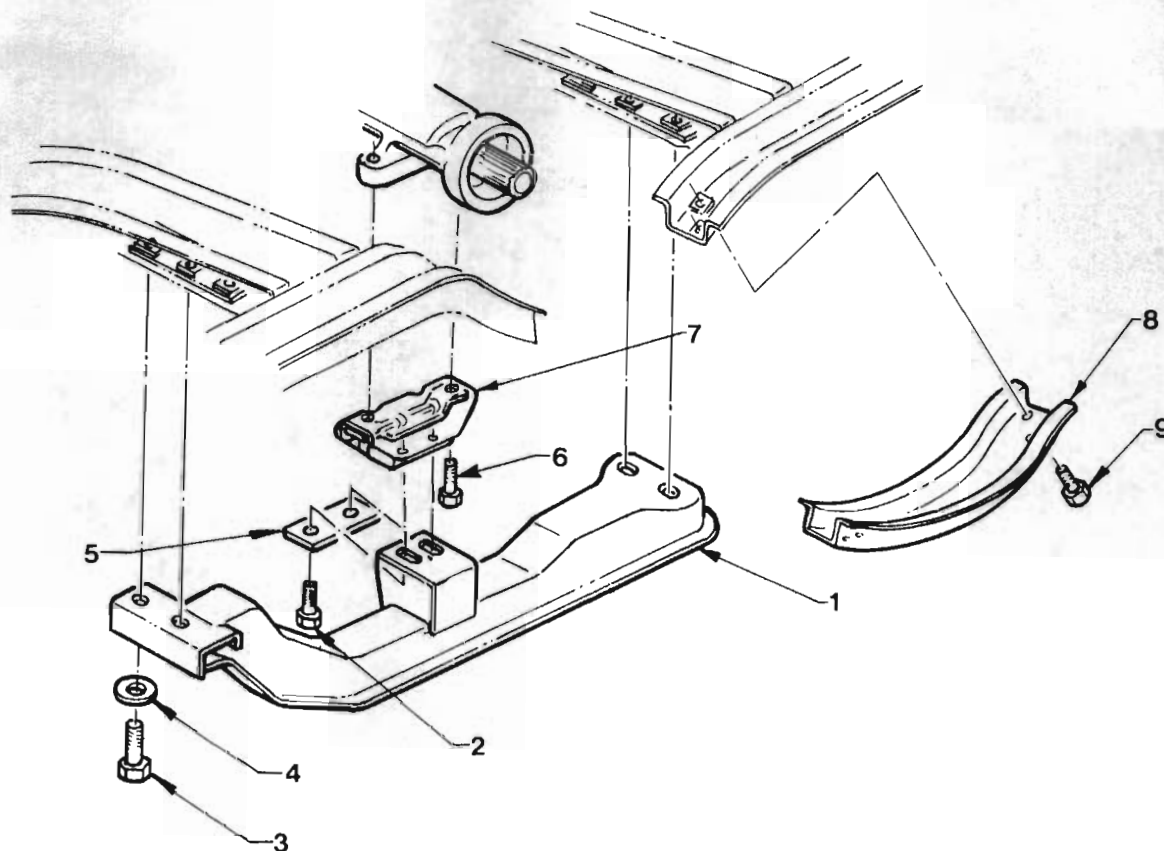
CONSOLE - TRANSMISSION
8 CYLINDER ENGINE
TRIMATIC TRANSMISSION
VL SERIES

REF. NO.	PART NAME	GROUP
1	INDICATOR ASM. - Transmission control	4.020U
2	CAP ASM. - Transmission control indicator	4.020U
3	BULB - 12v/1.2w	4.022U
4	SEAL - Transmission control indicator dust	4.020U



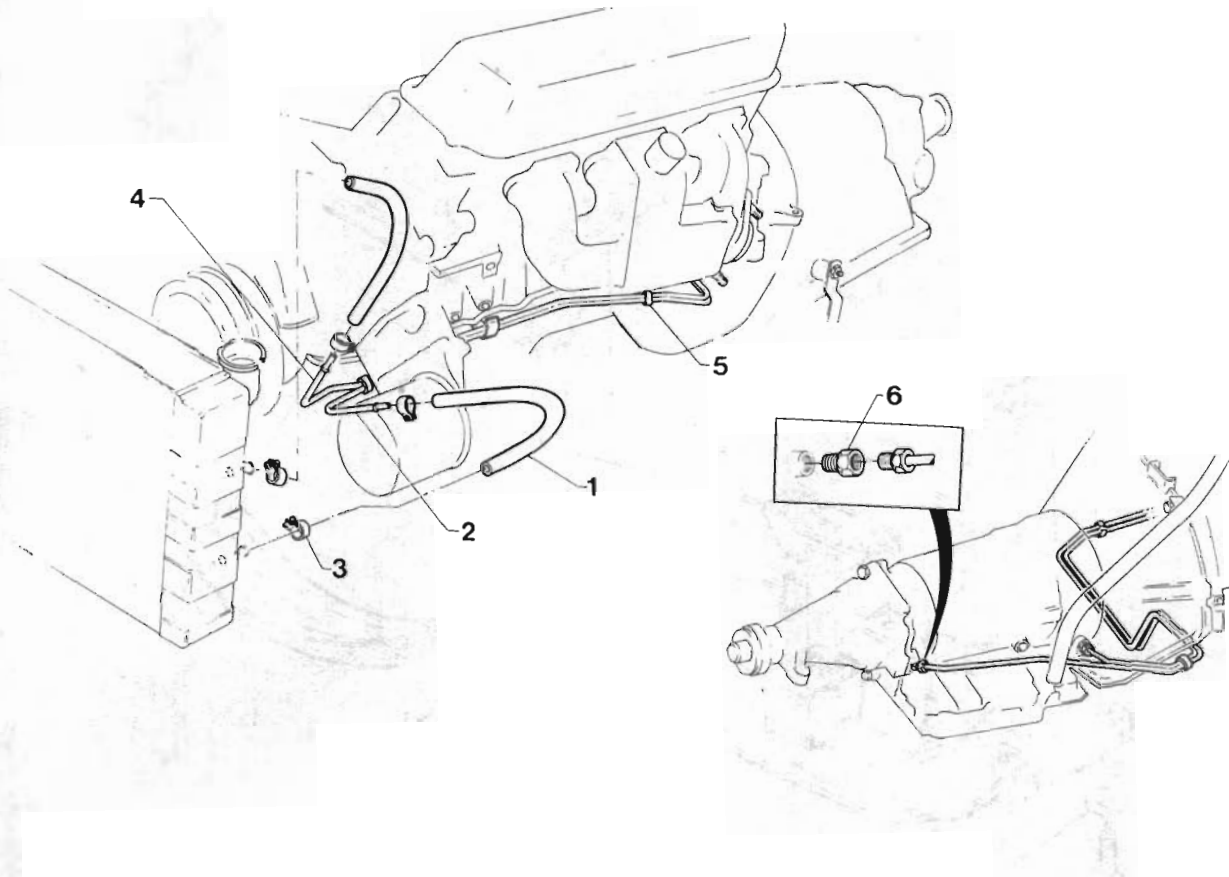
DETENT - SWITCH
8 CYLINDER ENGINE
TRIMATIC TRANSMISSION
VL SERIES

REF. NO.	PART NAME	GROUP
1	SWITCH ASM. - Transmission solenoid detent actuating.....	4.057U
2	BOLT - Detent switch to support bracket.....	4.057U
3	WASHER - Detent switch to support bracket, Flat.....	4.057U
4	WASHER - Detent switch to support bracket, Lock.....	4.057U
5	NUT - Switch to mounting bracket.....	4.057U



TRANSMISSION MOUNTING
8 CYLINDER ENGINE
TRIMATIC TRANSMISSION
VL SERIES

REF. NO.	PART NAME	GROUP
1	SUPPORT - Transmission rear mounting.....	4.018U
2	BOLT - Mounting to support.....	4.085U
3	BOLT - Support to underbody.....	4.081U
4	WASHER - Support to underbody - Flat.....	4.081U
5	SPACER - Mounting to support.....	4.085U
6	BOLT - Mounting to transmission.....	4.085U
7	MOUNTING.....	4.081U
8	BRIDGE - Centre crossmember.....	7.012
9	SCREW - Bridge to cross member.....	7.012

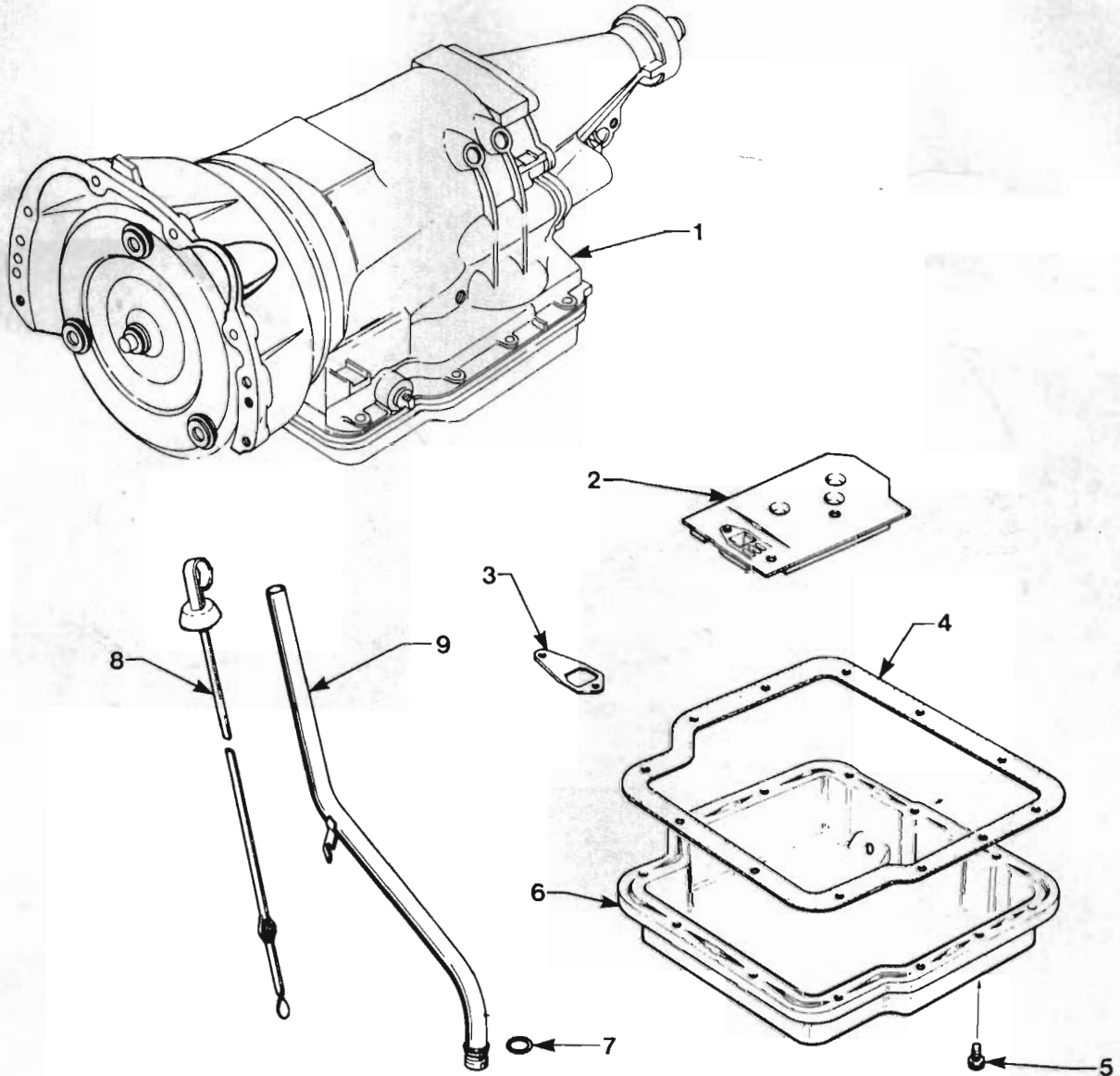


**OIL COOLER PIPES
8 CYLINDER ENGINE
TRIMATIC TRANSMISSION
VL SERIES**

REF. NO.	PART NAME	GROUP
1	HOSE - Pipes to connector	4.128U
2	PIPE ASM. - Inlet.....	4.128U
3	CLAMP - Hoses	4.128U
4	PIPE ASM. - Outlet.....	4.128U
5	CLIP - Inlet to outlet pipe.....	4.128U
6	CONNECTOR - Pipe to transmission	4.128U

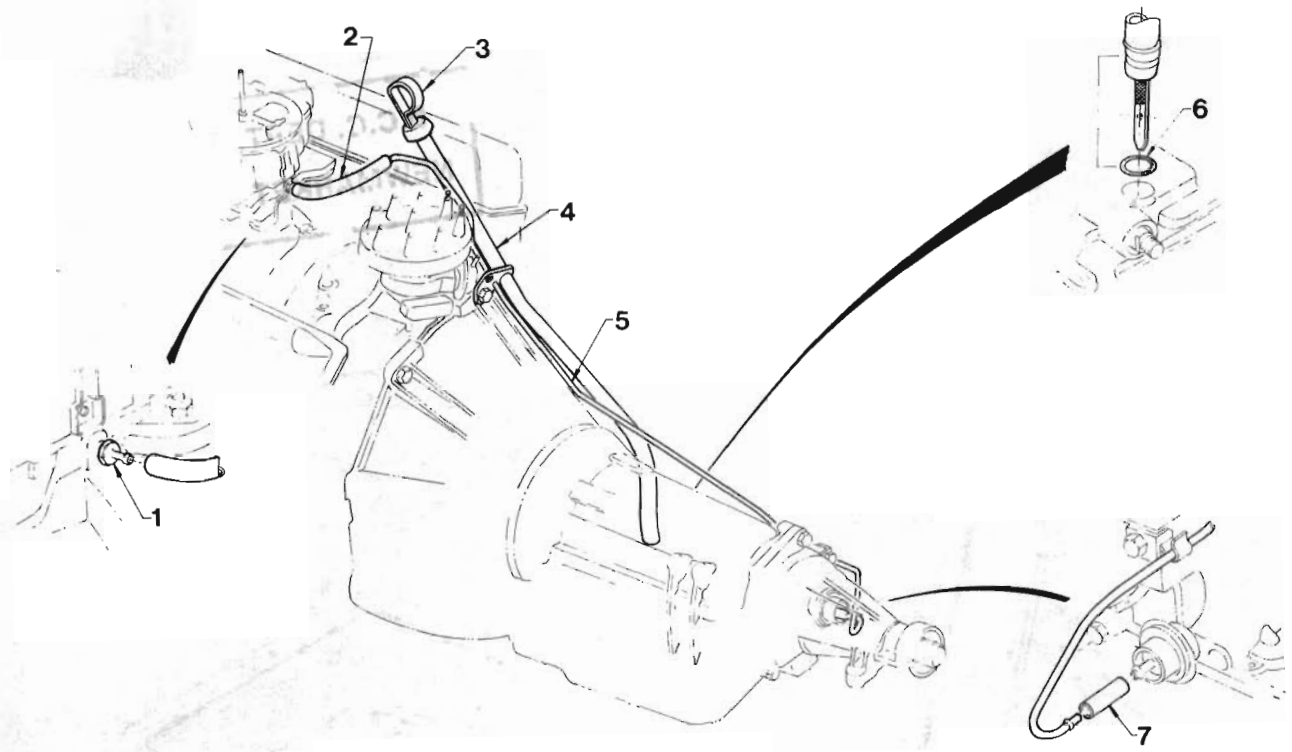


"V" SERIES PARTS CATALOGUE



OIL PAN & INDICATOR 8 CYLINDER ENGINE TRIMATIC TRANSMISSION VL SERIES

REF. NO.	PART NAME	GROUP
1	TRANSMISSION ASM.....	4.003U
2	SCREEN ASM. - Oil pump suction.....	4.197U
3	GASKET - Oil pump suction screen.....	4.197U
4	GASKET - Oil pan.....	4.196U
5	BOLT - Oil pan.....	4.196U
6	PAN ASM. - Oil.....	4.195U
7	SEAL - Tube to case 'O' Ring.....	4.133U
8	INDICATOR ASM. - Oil level.....	4.133U
9	TUBE ASM. - Oil filler.....	4.133U

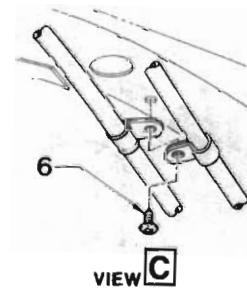
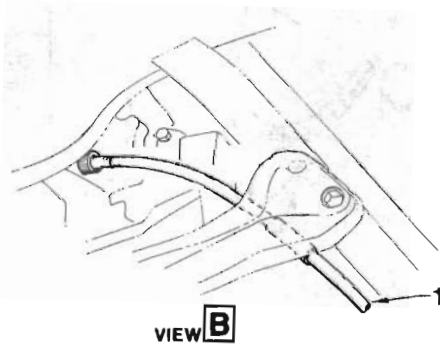
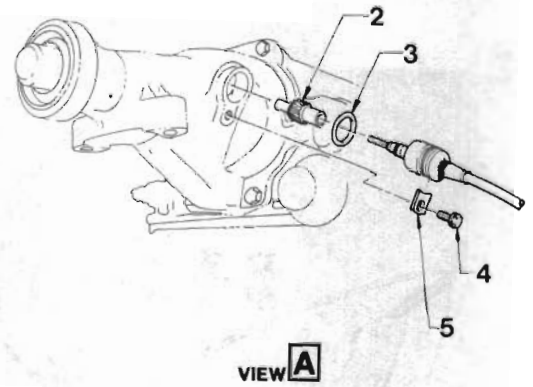
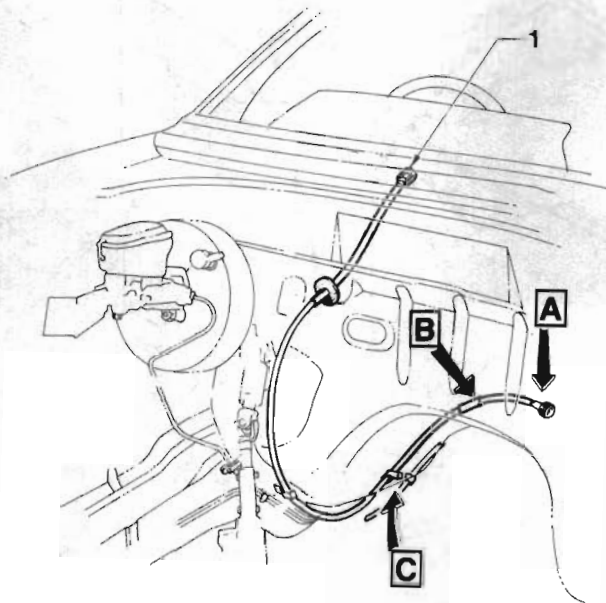


**OIL FILLER & MODULATOR PIPE
8 CYLINDER ENGINE
TRIMATIC TRANSMISSION
VL SERIES**

REF. NO.	PART NAME	GROUP
1	CONNECTOR - Pipe to carburettor.....	4.205U
2	SLEEVE - Modulator pipe to connector.....	4.205U
3	INDICATOR ASM. - Oil level 679.5mm.....	4.133U
4	TUBE ASM. - Oil filler.....	4.133U
5	PIPE - Transmission vacuum modulator.....	4.205U
6	SEAL - Tube to case 'O' Ring.....	4.133U
7	SLEEVE - Modulator pipe to connector.....	4.205U

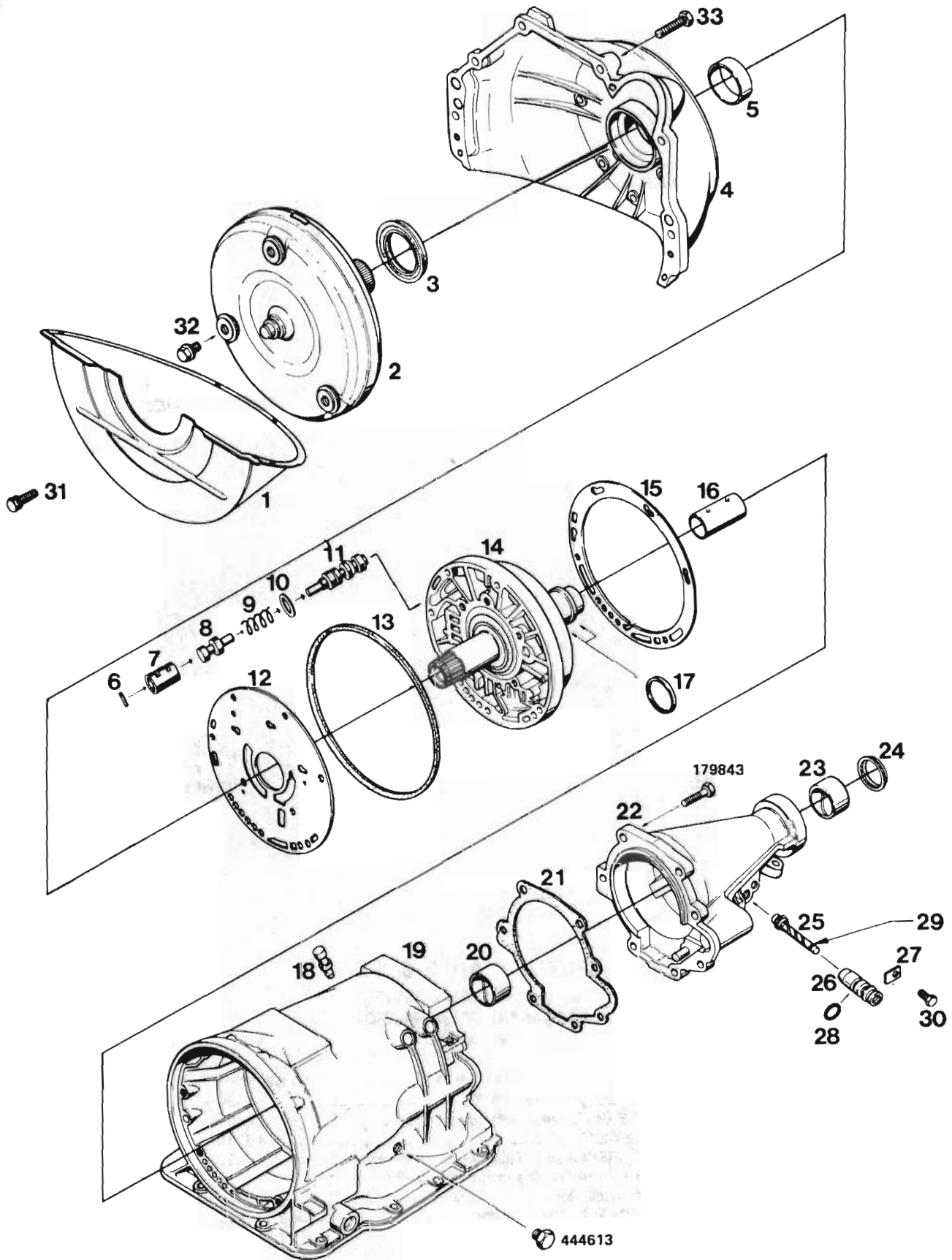


"V" SERIES PARTS CATALOGUE



SPEEDO CABLE & GEAR 8 CYLINDER ENGINE TRIMATIC TRANSMISSION VL SERIES

REF. NO.	PART NAME	GROUP
1	CABLE & CASING ASM.....	4.242U
2	GEAR - Speedometer drive.....	4.343U
3	SEAL.....	4.338U
4	SCREW ASM. - Retainer to transmission.....	4.338U
5	RETAINER - Speedometer cable to transmission.....	4.338U
6	SCREW - Cable to floor.....	4.342U



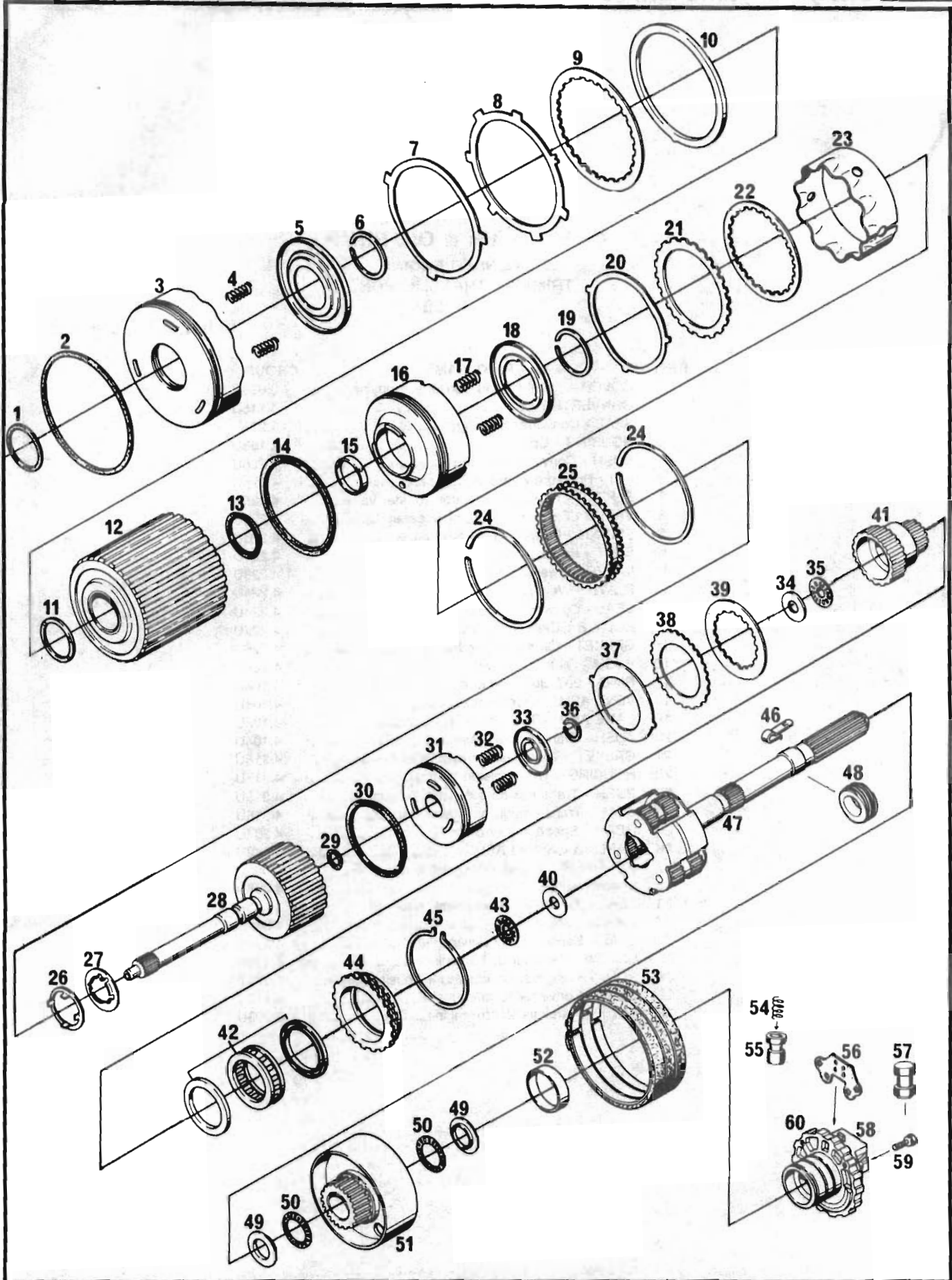


**CONVERTER & OIL PUMP
8 CYLINDER ENGINE
TRIMATIC TRANSMISSION
VL SERIES**

ILLUSTRATION OPPOSITE

REF. NO.	PART NAME	GROUP
1	COVER - Transmission converter housing	0.679T
2	CONVERTER ASM.....	4.115U
3	SEAL - Converter housing.....	4.226U
4	HOUSING - Converter.....	4.103U
5	BUSH - Converter housing.....	4.226U
6	PIN - Pressure regulator valve.....	4.226U
7	SLEEVE - Pressure regulator booster valve.....	4.226U
8	VALVE - Pressure regulator booster.....	4.226U
9	SPRING - Pressure regulator valve	4.226U
10	SEAT - Pressure regulator valve spring.....	4.226U
11	VALVE - Pressure regulator	4.226U
12	PLATE - Wear	4.224U
13	SEAL - Oil pump, Outer.....	4.224U
14	BODY & GEAR SET	4.224U
15	GASKET - Oil pump to case	4.226U
16	BUSH - Oil pump body.....	4.226U
17	RING - 2nd clutch oil seal	4.166U
18	VENT ASM. - Transmission	4.104U
19	CASE ASM. - Transmission	4.103U
20	BUSH - Transmission case	4.104U
21	GASKET - Transmission extension housing.....	4.318U
22	HOUSING - Transmission extension.....	4.317U
23	BUSH - Transmission extension housing.....	4.319U
24	SEAL - Transmission extension housing.....	4.318U
25	GEAR - Speedometer driven	4.337U
26	CABLE & CASING ASM.	4.342U
27	RETAINER - Speedometer cable to transmission.....	4.338U
28	SEAL - 'O' Ring, Speedometer cable to transmission.....	4.338U
29	SEAL - Speedometer driven gear	4.337U
30	SCREW - Retainer to transmission.....	4.338U
31	BOLT - Transmission converter housing cover...	0.679T
32	BOLT - Converter to drive plate.....	4.115U
33	BOLT - Transmission to engine	4.003U

"V" SERIES PARTS CATALOGUE





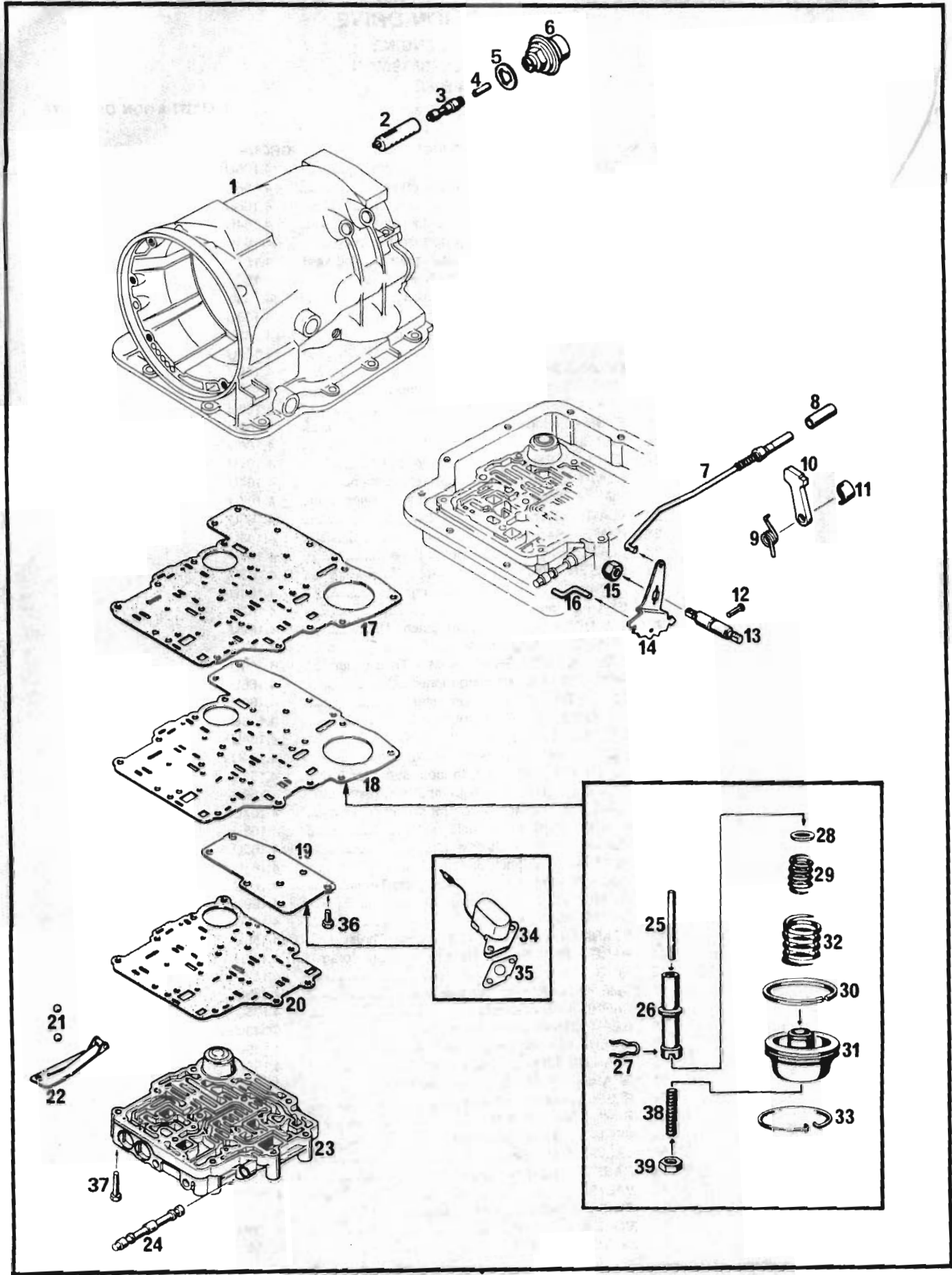
"V" SERIES PARTS CATALOGUE

TRANSMISSION DRIVE

8 CYLINDER ENGINE TRIMATIC TRANSMISSION VL SERIES

ILLUSTRATION OPPOSITE

REF. NO.	PART NAME	GROUP
1	SEAL - Reverse clutch piston inner	4.166U
2	SEAL - Reverse clutch piston outer	4.166U
3	PISTON - Reverse clutch	4.166U
4	SPRING - Reverse clutch piston return	4.164U
5	SEAT - Reverse clutch piston return spring	4.164U
6	RING - Reverse clutch piston return spring seat	4.167U
7	PLATE - Reverse clutch cushion	4.163U
8	PLATE - Reverse clutch reaction	4.163U
9	PLATE - Reverse clutch drive	4.163U
10	PLATE - Reverse clutch pressure	4.163U
11	WASHER - Thrust	4.169U
12	DRUM ASM. - Second clutch	4.169U
13	SEAL - Second clutch piston inner	4.166U
14	SEAL - Second clutch piston outer	4.166U
15	BUSH - Second clutch hub	4.169U
16	PISTON ASM. - Second clutch	4.166U
17	SPRING - Second clutch piston return	4.164U
18	SEAT - Second clutch piston return spring	4.164U
19	RING - Second clutch piston return spring seat	4.167U
20	PLATE - Second clutch cushion	4.163U
21	PLATE - Second clutch driven	4.163U
22	PLATE ASM. - Second clutch drive	4.163U
23	SPACER - Second clutch plate	4.163U
24	RETAINER - Ring gear retaining	4.164U
25	GEAR - Transmission ring	4.167U
26	WASHER - Second & third clutch, Thrust	4.169U
27	WASHER - Clutch thrust	4.169U
28	DRUM & INPUT SHAFT ASM. - Third clutch	4.169U
29	SEAL - Third clutch piston inner	4.166U
30	SEAL - Third clutch piston outer	4.166U
31	PISTON ASM. - Third clutch	4.166U
32	SPRING - Third clutch	4.164U
33	SEAT - Third clutch piston return spring	4.164U
34	WASHER - Third clutch to input sun gear	4.159U
35	BEARING - Third clutch to input sun gear	4.159U
36	RING - Third clutch piston return spring seat	4.167U
37	PLATE - Third clutch cushion	4.163U
38	PLATE - Third clutch driven	4.163U
39	PLATE - Third clutch drive	4.163U
40	WASHER - Input shaft to sun gear, Thrust	4.161U
41	GEAR ASM. - Input sun	4.159U
42	SPRAG ASM. - Input	4.167U
43	BEARING - Input shaft to sun gear, Thrust	4.159U
44	RACE & RETAINER - Third clutch input sprag	4.167U
45	RING - Third clutch retaining	4.167U
46	CLIP - Speedometer drive gear	4.343U
47	CARRIER ASM. - Planet	4.175U
48	GEAR - Speedometer drive	4.343U
49	WASHER - Reaction sun gear & drum	4.159U
50	BEARING - Reaction sun gear	4.159U
51	GEAR & DRUM ASM. - Reaction sun	4.159U
52	SLEEVE - Reaction sun gear	4.159U
53	BAND ASM. - Reaction	4.251U
54	SPRING - Secondary valve	4.256U
55	VALVE - Secondary	4.256U
56	GASKET - Governor	4.256U
57	VALVE - Primary	4.256U
58	BODY - Governor valve	4.256U
59	BOLT & WASHER	4.256U
60	GOVERNOR ASM.	4.256U



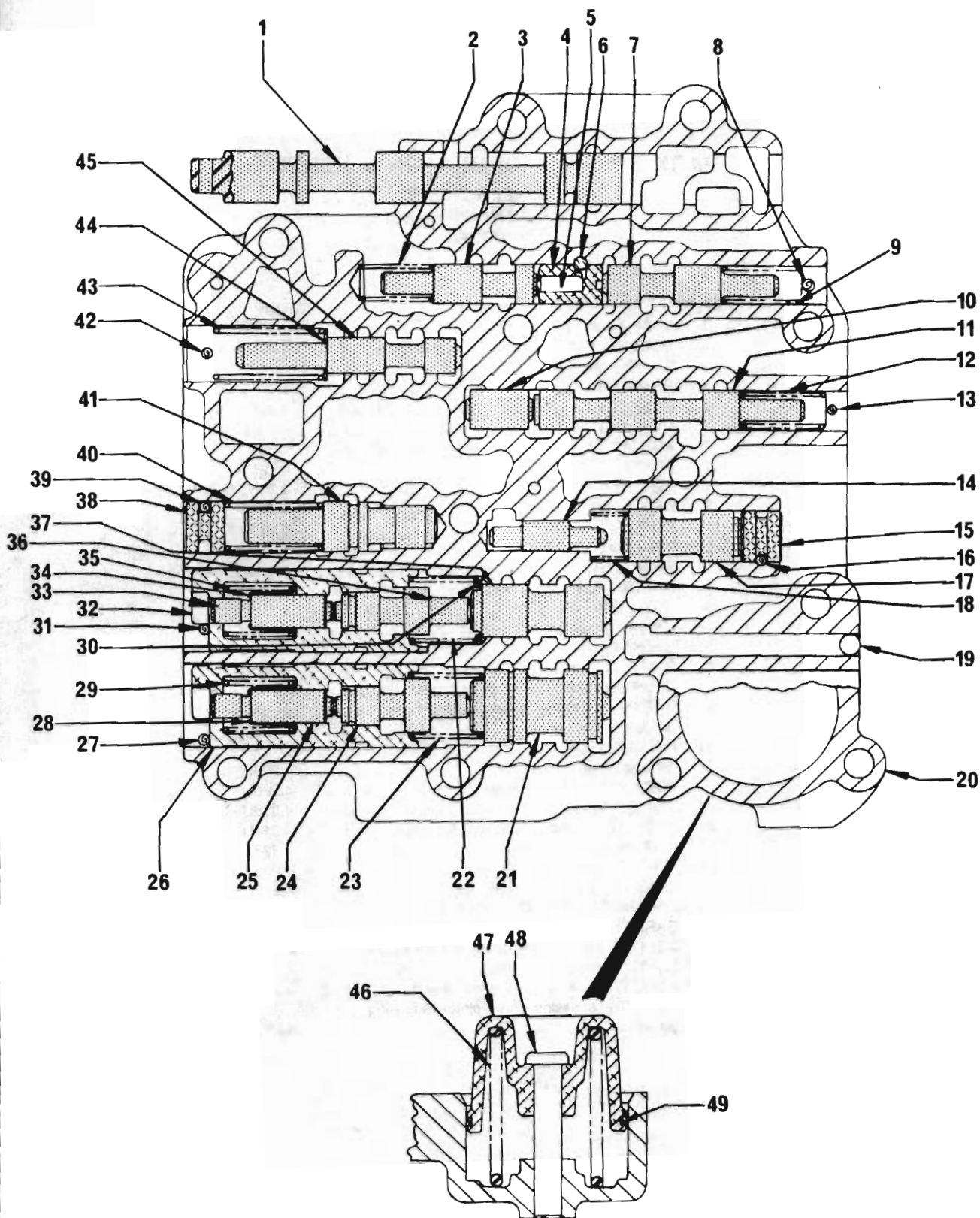


"V" SERIES PARTS CATALOGUE

PARK BRAKE, MODULATOR & SERVO 8 CYLINDER ENGINE TRIMATIC TRANSMISSION VL SERIES

ILLUSTRATION OPPOSITE

REF. NO.	PART NAME	GROUP
1	CASE ASM - Transmission	4.103U
2	SLEEVE - Vacuum modulator valve	4.205U
3	VALVE - Vacuum modulator	4.205U
4	PLUNGER - Vacuum modulator	4.205U
5	GASKET - Vacuum modulator to transmission	4.205U
6	MODULATOR ASM. - Vacuum	4.205U
7	ACTUATOR ASM. - Transmission park lock	4.290U
8	SHAFT - Pawl	4.294U
9	SPRING - Pawl disengaging	4.295U
10	PAWL - Transmission park lock	4.294U
11	SLEEVE - Actuator	4.290U
12	PIN - Park lock & range selector shaft retaining.	4.294U
13	SHAFT - Park lock & range selector	4.294U
14	LEVER - Park lock & range selector, Inner	4.279U
15	NUT - Lever attaching	4.279U
16	LINK - Manual valve lever	4.275U
17	GASKET - Transfer plate to case	4.265U
18	PLATE - Transfer	4.265U
19	REINFORCEMENT - Transfer plate	4.265U
20	GASKET - Transfer plate to valve body	4.265U
21	BALL - Valve body	4.265U
22	ROLLER & SPRING ASM. - Transmission manual detent	4.293U
23	BODY ASM. - Transmission valve	4.265U
24	VALVE - Manual	4.265U
25	ROD - Transmission servo piston apply	4.241U
26-31	PISTON ASM. - Servo	4.228U
32	SPRING - Servo piston return	4.233U
33	RING - Servo piston retaining	4.242U
34	SOLENOID & CONNECTOR ASM. - Detent	4.265U
35	GASKET - Solenoid	4.265U
36	BOLT - Reinforcement plate to transmission	4.265U
37	BOLT - Valve body to transmission case	4.265U
38	SCREW - Transmission servo piston adjusting	4.233U
39	NUT - Transmission servo piston adjusting screw	4.233U

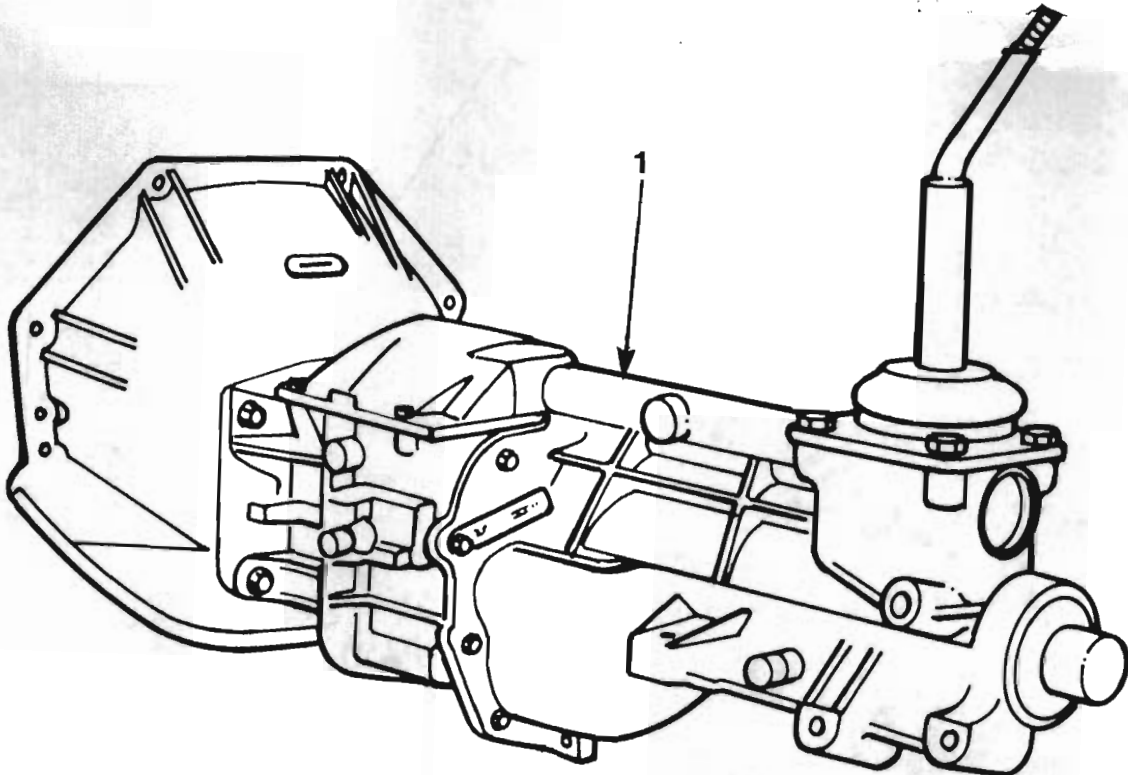




**VALVE BODY
8 CYLINDER ENGINE
TRIMATIC TRANSMISSION
VL SERIES**

ILLUSTRATION OPPOSITE

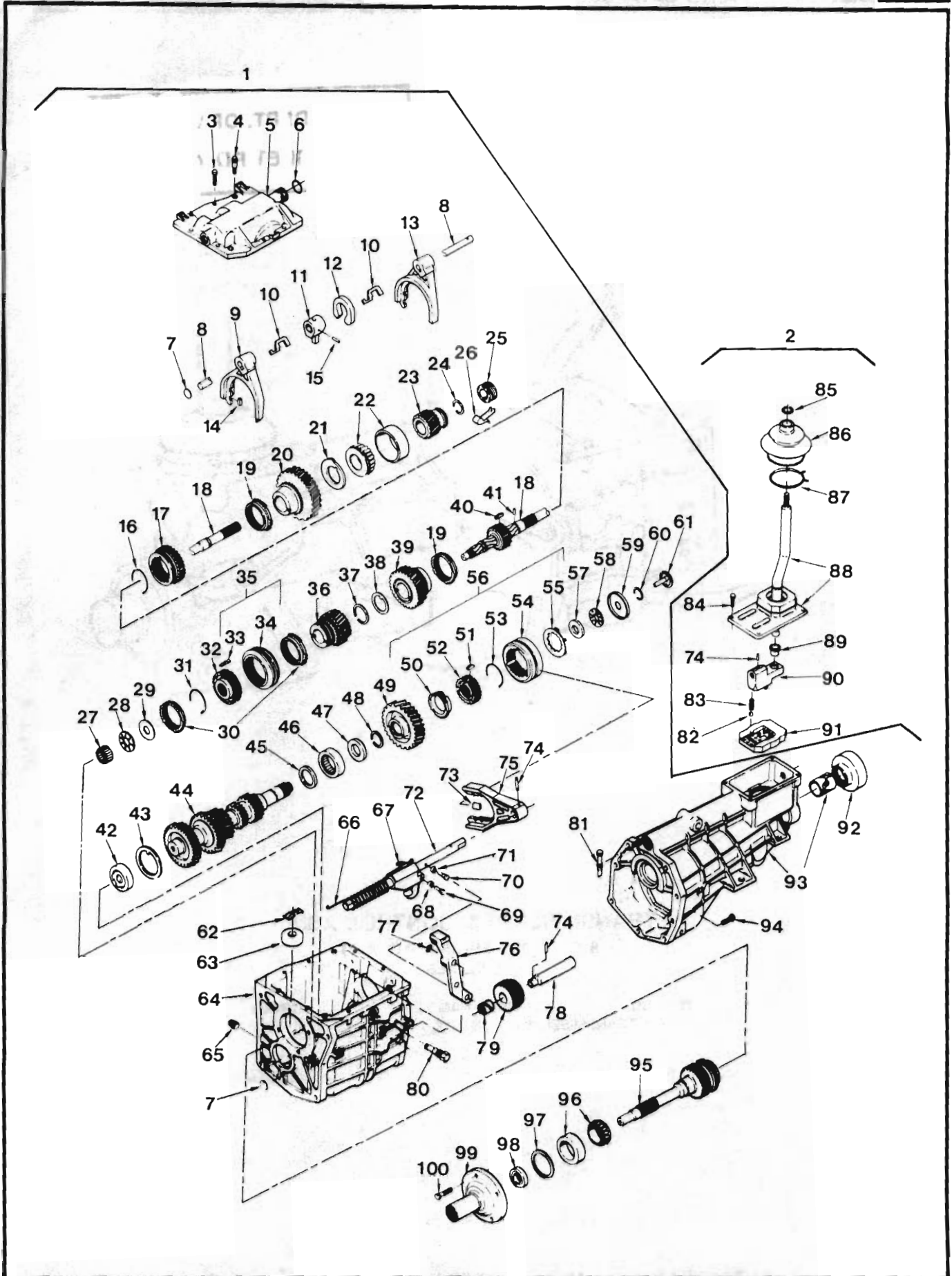
REF. NO.	PART NAME	GROUP
1	VALVE - Manual control	4.265U
2	SPRING - Low speed downshift timing valve	4.265U
3	VALVE - Low speed timing	4.265U
4	SLEEVE - Low speed timing control valve	4.265U
5	VALVE - Control	4.265U
6	PIN - Low speed downshift timing	4.265U
7	VALVE - High speed timing	4.265U
8	PIN - Valve retainer	4.265U
9	SPRING - High speed downshift timing valve	4.265U
10	VALVE - Reverse control	4.265U
11	VALVE - Manual low control	4.265U
12	SPRING - Manual low & Reverse control valve ..	4.265U
13	PIN - Valve retainer	4.265U
14	VALVE - 1st & 2nd accumulator control	4.265U
15	PLUG - 1st & 2nd accumulator control valve	4.265U
16	PIN - Valve retainer	4.265U
17	VALVE - 1st & 2nd accumulator	4.265U
18	SPRING - 1st & 2nd accumulator valve	4.265U
19	BALL	4.265U
20	BODY ASM. - Valve	4.265U
21	VALVE - 1st & 2nd shift	4.265U
22	SPRING - 2nd & 3rd shift control valve	4.265U
23	SPRING - 1st to 2nd shift control valve	4.265U
24	VALVE - 1-2 shift control	4.265U
25	VALVE - 1-2 control	4.265U
26	SLEEVE - 1st & 2nd shift control valve	4.265U
27	PIN - Valve retainer	4.265U
28	SEAT - 1st & 2nd shift control valve spring	4.265U
29	SPRING - 1st & 2nd shift control valve	4.265U
30	SEAT - 2nd to 3rd shift control valve spring	4.265U
31	PIN - Valve retainer	4.265U
32	SLEEVE - 2nd to 3rd shift control valve	4.265U
33	VALVE - 2nd to 3rd control	4.265U
34	SEAT - 2nd & 3rd shift control valve spring	4.265U
35	SPRING - 2nd & 3rd shift control valve	4.265U
36	VALVE - 2nd & 3rd shift control	4.265U
37	VALVE - 2nd & 3rd shift	4.265U
38	PLUG - 3rd to 2nd control valve	4.265U
39	PIN - Valve retainer	4.265U
40	SPRING - 3rd to 2nd control valve	4.265U
41	VALVE - 3rd to 2nd control	4.265U
42	PIN - Valve retainer	4.265U
43	SPRING - Detent pressure regulator valve	4.265U
44	SEAT - Detent pressure regulator valve spring ..	4.265U
45	VALVE - Detent pressure regulator	4.265U
46	SPRING - Accumulator piston	4.233U
47	PISTON - Accumulator	4.228U
48	PIN - Accumulator	4.233U
49	RING - Accumulator piston	4.229U



**TRANSMISSION & CONTROL ASM.
8 CYLINDER ENGINE (P.O. A9L)
VL SERIES**

REF. NO.	PART NAME	GROUP
1	TRANSMISSION & CONTROL ASM.	4.003Y

"V" SERIES PARTS CATALOGUE





"V" SERIES PARTS CATALOGUE

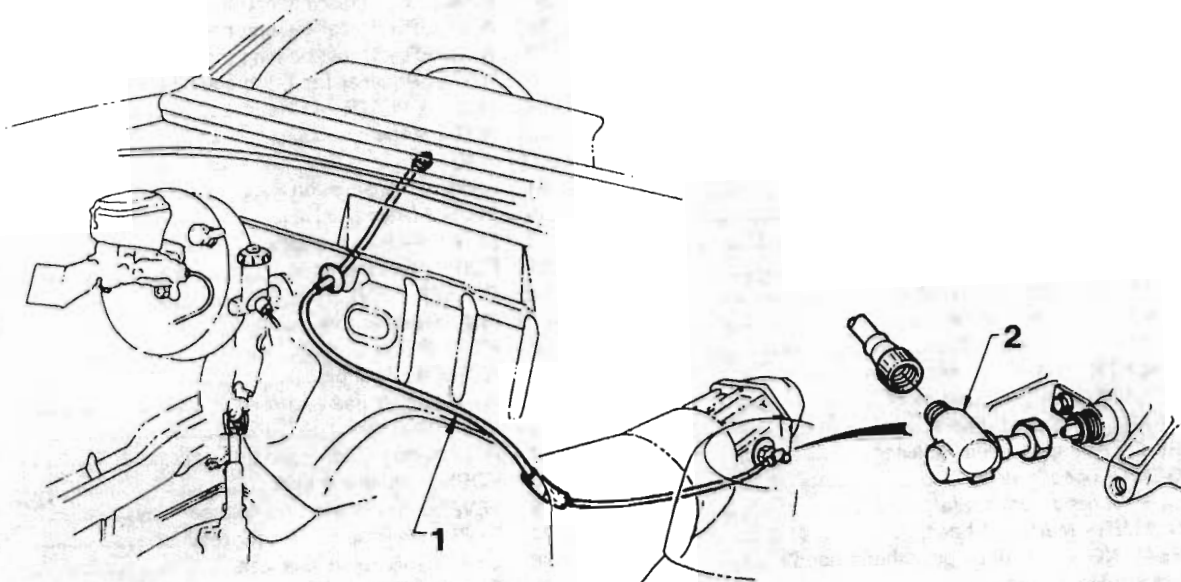
TRANSMISSION CASE & GEARS

5 SPEED MANUAL CONTROL
8 CYLINDER ENGINE (P.O. A9L)

ILLUSTRATION OPPOSITE

REF. NO.	PART NAME	GROUP	REF. NO.	PART NAME	GROUP
1-100	TRANSMISSION & CONTROL LEVER ASM.	4.003Y	50	RING - Retainer - 5th speed synchronizer	4.383Y
1	TRANSMISSION.....	4.003Y	51	KEY - 5th speed synchronizer.....	4.384Y
2	CONTROL LEVER ASM.	4.006Y	52C)	HUB - 5th speed synchronizer	N.S.S.
3	BOLT - Cover.....	4.356Y	53C)	SPRING - 5th speed synchronizer.....	4.384Y
4	BOLT - Cover.....	4.356Y	54C)	SLEEVE - 5th speed synchronizer.....	N.S.S.
5	COVER ASM. - Transmission casing.....	4.105Y	55C)	RETAINER - KEY, 5th speed synchronizer.....	4.384Y
6	'O' RING - Extension housing	4.318Y	56	SYNCHRONIZER - 5th speed	4.380Y
7	PLUG - Expansion (3/4").....	4.104Y	57	WASHER - Thrust bearing front, 5th speed.....	4.416Y
8	RAIL - Gearshift.....	4.309Y	58	WASHER - Thrust bearing needle, 5th speed.....	4.416Y
9	FORK - 3rd and 4th Shift.....	4.303Y	59	WASHER - Thrust bearing rear, 5th speed.....	4.416Y
10	PLATE - Shift fork	4.311Y	60	RING - Retainer front, 5th speed synchronizer ...	4.384Y
11	ARM - Shift rail.....	4.311Y	61	TUBE & PLATE - Oil feed.....	4.422Y
12	SLEEVE - Interlock.....	4.307Y	62D)	NUT - Magnet	N.S.S.
13	FORK - 1-2 Shift.....	4.303Y	63D)	MAGNET.....	N.S.S.
14	KEY - Shift forks.....	4.384Y	64	CASE - Transmission	4.103Y
15	PIN - Roll	4.307Y	65	PLUG - Drain.....	4.104Y
16	SPRING - Synchronizer, 1-2 & 3-4 speed	4.384Y	66	SPRING - Reverse lock.....	4.311Y
17A)	GEAR - Reverse sliding.....	N.S.S.	67	FORK - Reverse shift.....	4.303Y
18	SHAFT - Output, 1-2 synchronizer.....	4.403Y	68E)	ROLLER - Fork	N.S.S.
19	RING - 1-2 synchronizer.....	4.383Y	69E)	PIN - Reverse fork.....	N.S.S.
20	GEAR - 1st speed	4.417Y	70F)	PIN - Shift rail.....	N.S.S.
21	WASHER - 1st speed gear thrust.....	4.419Y	71F)	ROLLER - Rail pin.....	N.S.S.
22	BEARING - Output shaft roller	4.408Y	72	RAIL - 5th speed and reverse shift	4.303Y
23	GEAR - 5th speed driven.....	4.415Y	73	KEY - Shift fork.....	4.311Y
24	RING - 5th speed gear retainer	4.416Y	74	PIN - Spring guide hole	4.302Y
25	GEAR - Speedo drive	4.343Y	75	FORK - 5th speed shift	4.303Y
26	CLIP - Speedo drive gear.....	4.345Y	76	LEVER - 5th speed and reverse relay	4.302Y
27	ROLLER - Mainshaft bearing.....	4.355Y	77	RING - Reverse relay lever retainer	4.302Y
28	BEARING - Main drive gear thrust needle	4.355Y	78	SHAFT - Reverse idler gear	4.433Y
29	WASHER - Thrust.....	4.355Y	79	GEAR - Reverse idler	4.430Y
30	RING - Synchronizer, 3-4 speed	4.383Y	80	PIN - Shift lever pivot, 5th speed	4.307Y
31	SPRING - Synchronizer, 1-2 3-4 speed	4.384Y	81	VENT ASM. - Transmission case.....	4.104Y
32B)	HUB - Synchronizer, 3-4 speed.....	N.S.S.	82	BALL - (3/8"Steel).....	4.006Y
33B)	KEY - Synchronizer, 3-4 speed	4.384Y	83	SPRING - Detent	4.311Y
34B)	SLEEVE - Synchronizer, 3-4 speed.....	N.S.S.	84	BOLT - Gearshift control lever cover	4.006Y
35	SYNCHRONIZER - 3-4 speed	4.380Y	85	RETAINER - Boot lower	4.006Y
36	GEAR - Third speed.....	4.415Y	86	BOOT - Control lever.....	4.006Y
37	RING - Thrust washer retaining, 2nd speed gear.....	4.398Y	87	RETAINER - Boot upper.....	4.006Y
38	WASHER - Thrust, 2nd speed gear	4.398Y	88	CONTROL - Transmission.....	4.006Y
39	GEAR - Second speed.....	4.395Y	89	SLEEVE - Shift lever damper	4.006Y
40	KEY - Synchronizer, 1-2 speed	4.384Y	90	LEVER - Offset shift.....	4.006Y
41	PIN - Retainer thrust washer, 1st gear	4.356Y	91	PLATE - Detent and guide.....	4.006Y
42	BEARING - Counter gear - Front.....	4.422Y	92	SEAL - Rear oil.....	4.318Y
43	WASHER - Counter gear thrust - Front.....	4.423Y	93	EXTENSION - Transmission.....	4.317Y
44	GEAR - Counter.....	4.421Y	94	BOLT - Extension housing to case.....	4.319Y
45	SPACER - Counter gear - Front.....	4.426Y	95	GEAR - Main drive	4.351Y
46	BEARING - Counter gear - Rear.....	4.422Y	96	BEARING - Main drive gear.....	4.355Y
47	SPACER - Counter gear.....	4.426Y	97	SHIM - Bearing adjusting.....	4.376Y
48	RING RETAINER - 5th speed synchronizer - Rear	4.383Y	98	SEAL - Clutch gear bearing oil.....	4.356Y
49	GEAR ASM. - Fifth speed.....	4.415Y	99	RETAINER - Main drive gear bearing	4.356Y
			100	BOLT - Retainer to case	4.354Y

- NOTE:-** (A Parts are included in Shaft - Output Refer Group 4.403Y
 (B Parts are included in Synchronizer - 3-4 speed. Refer Group 4.380Y
 (C Parts are included in Synchronizer - 5th speed. Refer Group 4.380Y
 (D Parts are included in Case - Transmission Refer Group 4.103Y
 (E Parts are included in Fork - Reverse shift. Refer Group 4.303Y
 (F Parts are included in Rail - 5th speed & reverse shift. Refer Group 4.302Y



SPEED CABLE & DRIVE
8 CYLINDER ENGINE (P.O. A9L)
VL SERIES

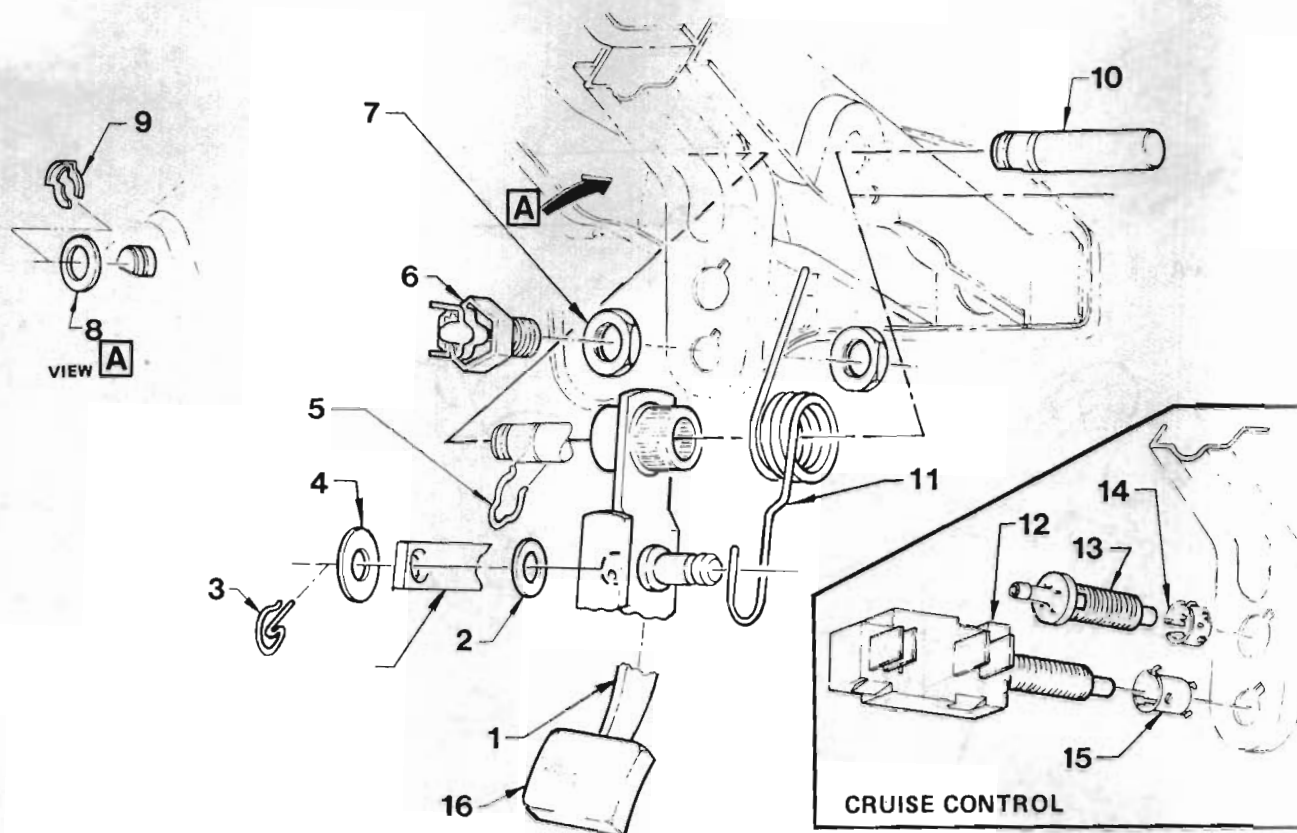
REF. NO.	PART NAME	GROUP
1	CABLE & CASING.....	4.342Y
2	DRIVE ASM. - Cable.....	4.329Y



GROUP

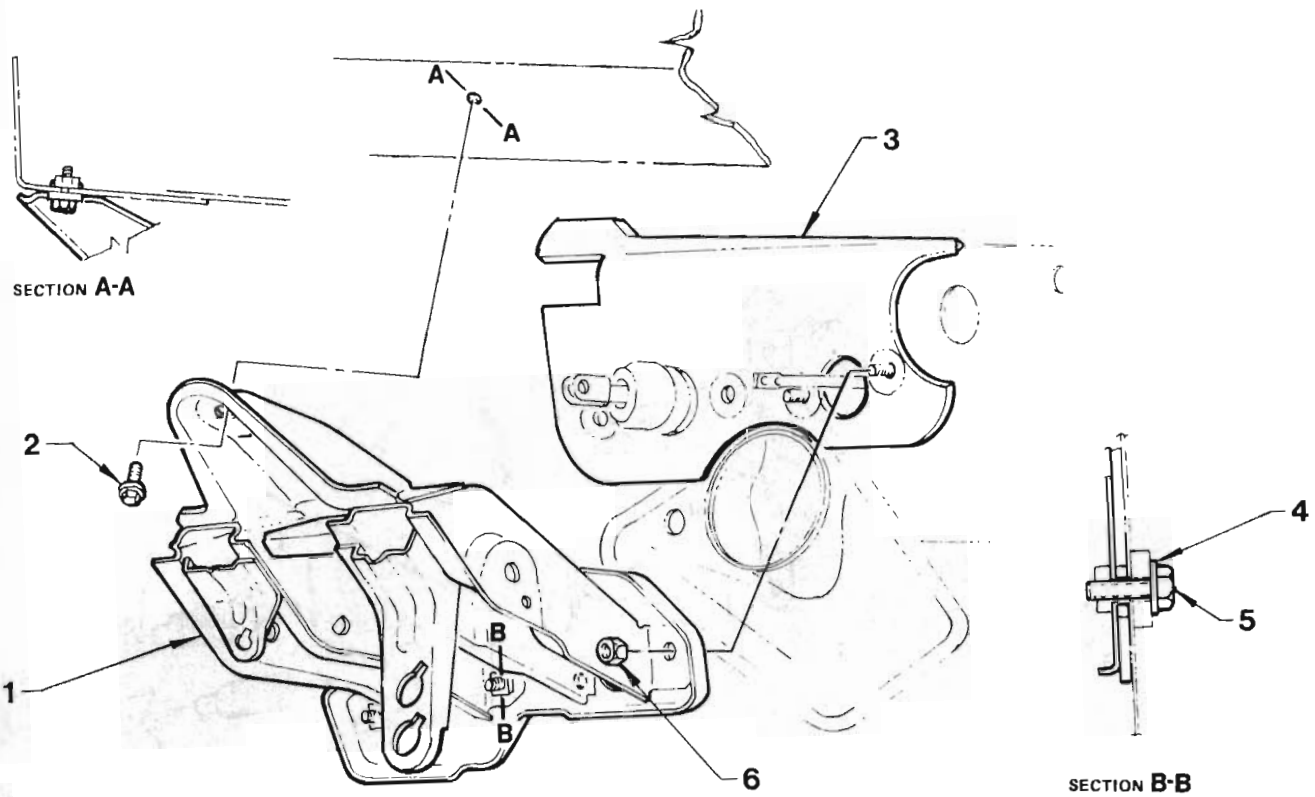
4.500

**BRAKE CONTROL
BRAKE OPERATING**



**BRAKE PEDAL
VL SERIES**

REF. NO.	PART NAME	GROUP
1	PEDAL ASM. - Brake.....	4.625
2	WASHER - Clevis pin.....	4.634
3	CLIP - Clevis pin - Pedal to main cylinder push rod.....	4.634
4	WASHER - Flat, M10 x 26 x 2.....	4.634
5	CLIP - Pedal to shaft.....	4.634
6	SWITCH - Stop lamp.....	2.447
7	NUT - Switch attaching.....	2.447
8	DISC - Pedal shaft tightening.....	4.634
9	CLIP - Pedal shaft to bracket.....	4.634
10	SHAFT - Brake & clutch pedal mounting.....	4.634
11	SPRING - Brake pedal return.....	4.639
12	SWITCH ASM. - Stop lamp & cruise control.....	3.883
13	VALVE ASM. - Vacuum release.....	3.886
14	CLIP - Vacuum release valve to stop lamp switch bracket.....	3.886
15	CLIP - Switch.....	3.883
16	PAD - Brake pedal trim.....	4.630

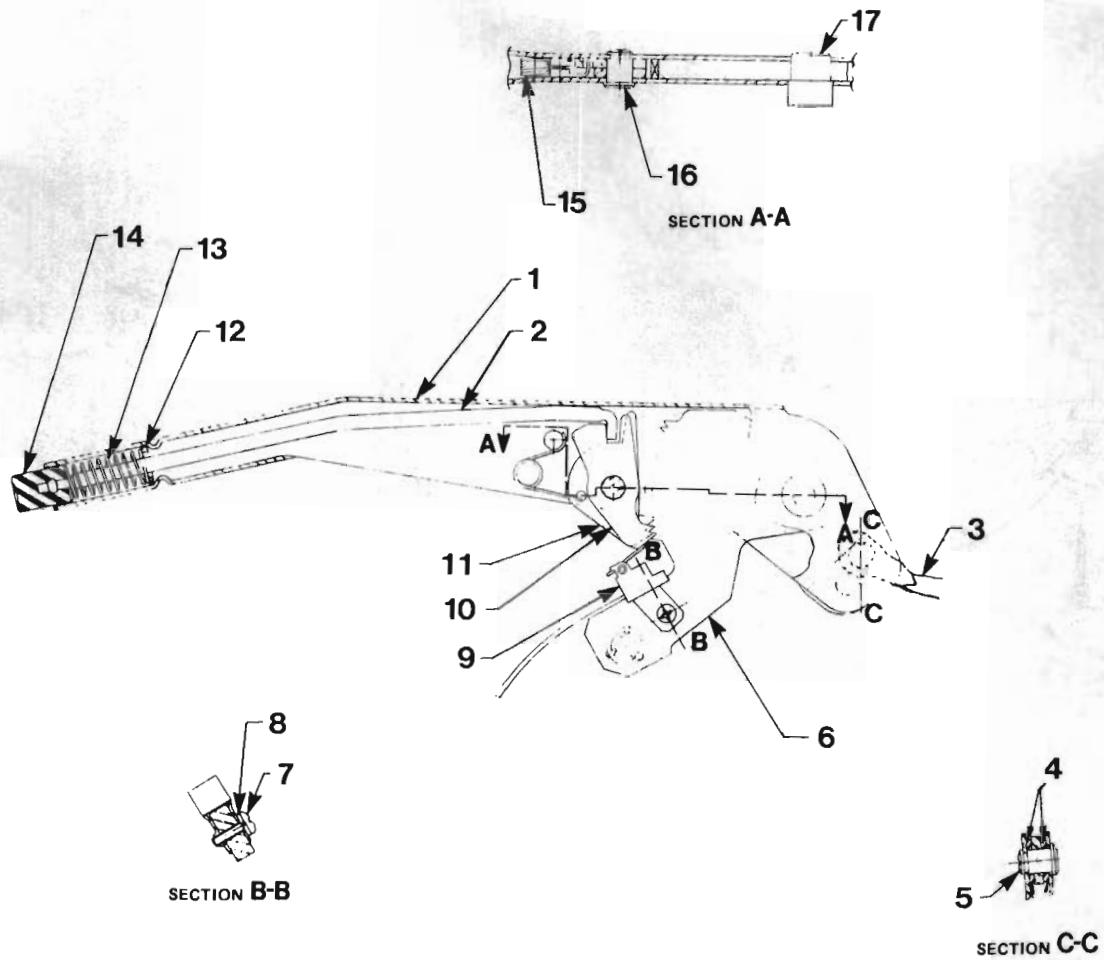


**BRAKE PEDAL SUPPORT
VL SERIES**

REF. NO.	PART NAME	GROUP
1	SUPPORT ASM. - Brake pedal	4.634
2	SCREW & WASHER - Support to dash panel.....	4.634
3	INSULATOR - Pedal support	4.634
4	WASHER - Pedal support to dash panel.....	4.634
5	BOLT - Pedal support to dash panel	4.634
6	NUT - Pedal support to dash panel	4.634

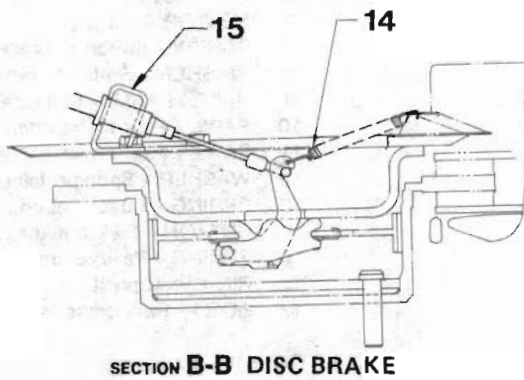
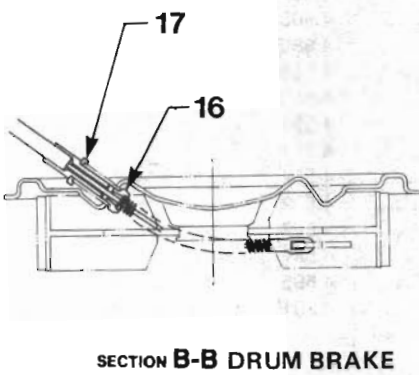
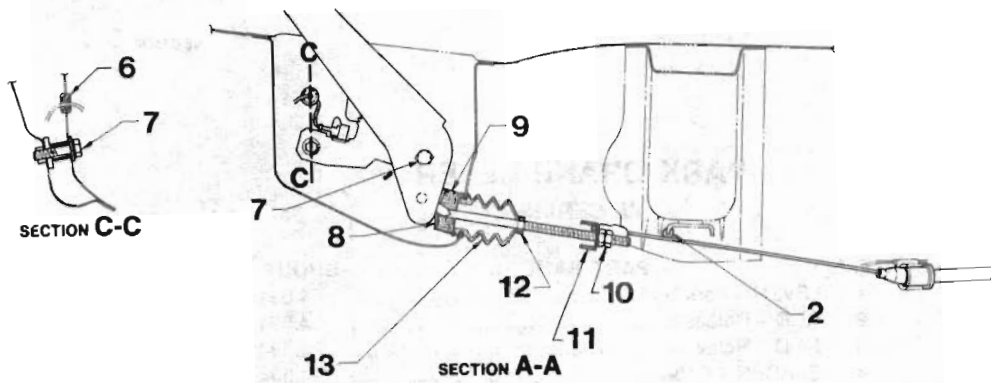
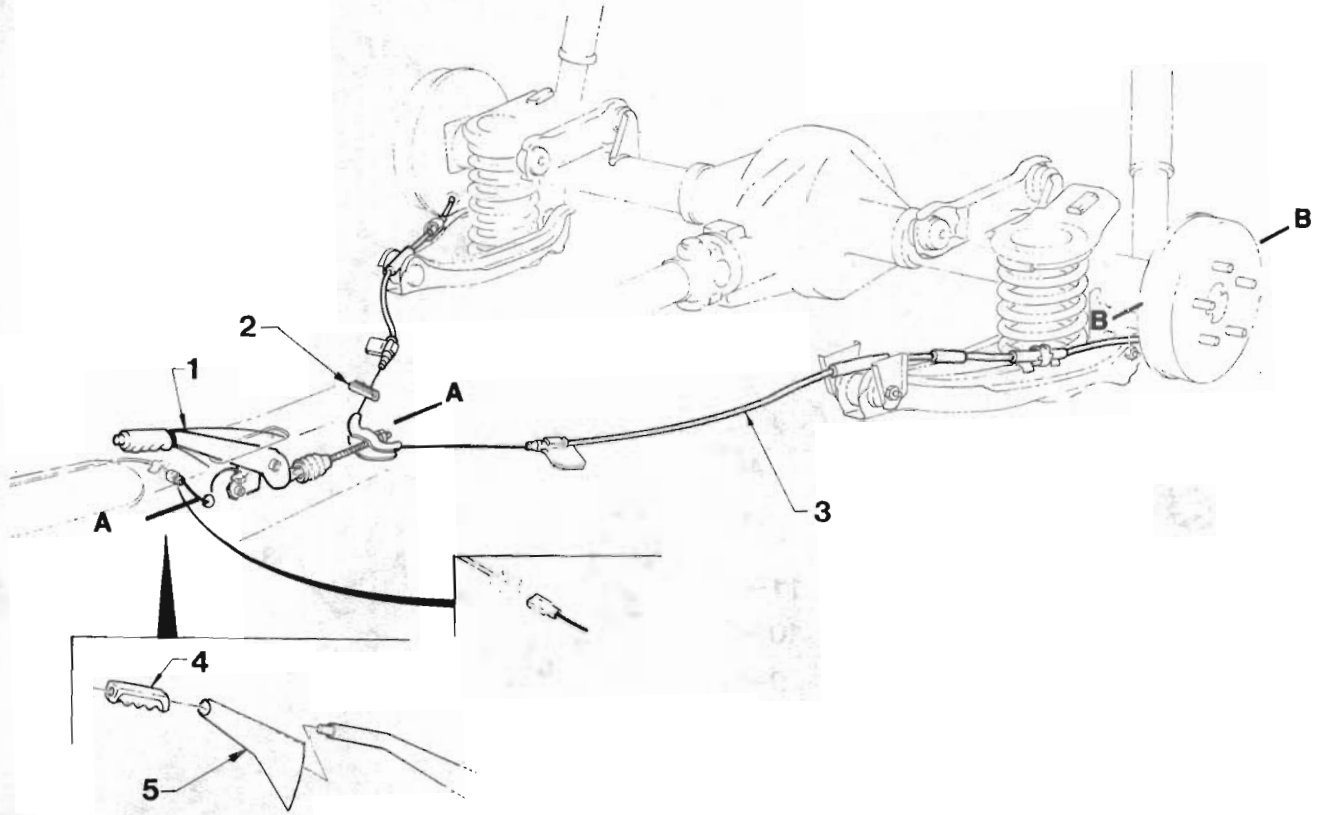


"V" SERIES PARTS CATALOGUE



PARK BRAKE LEVER VL SERIES

REF. NO.	PART NAME	GROUP
1	LEVER - Park brake.....	4.591
2	ROD - Release.....	4.594
3	ROD - Relay.....	4.594
4	SPACER - Relay rod.....	4.594
5	PIN - Relay rod pivot.....	4.594
6	SECTOR ASM.....	4.603
7	SCREW - Switch to bracket.....	4.589
8	WASHER - Switch to bracket.....	4.589
9	SWITCH ASM. - Park brake warning lamp.....	4.589
10	PAWL - Park brake ratchet, Primary.....	4.595
11	PAWL - Park brake ratchet, Secondary.....	4.595
12	WASHER - Spring retainer.....	4.592
13	SPRING - Button return.....	4.592
14	BUTTON - Park brake release.....	4.592
15	SPRING - Pawl return.....	4.597
16	PIN - Pawl pivot.....	4.595
17	BUSH - Park brake lever pivot.....	4.591



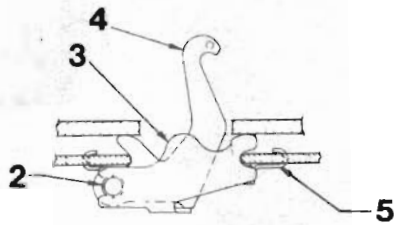


"V" SERIES PARTS CATALOGUE

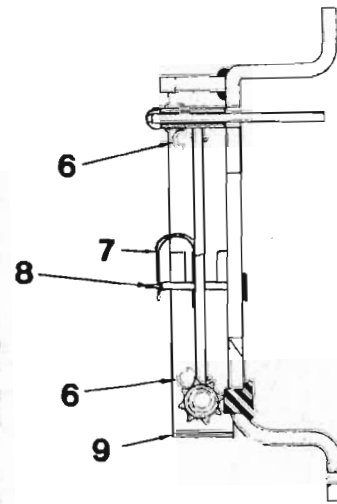
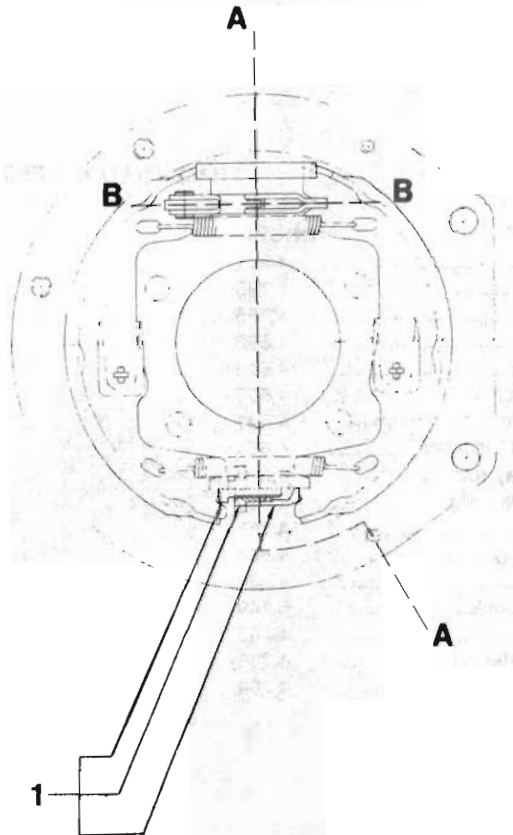
PARK BRAKE VL SERIES

ILLUSTRATION OPPOSITE

REF. NO.	PART NAME	GROUP
1	LEVER ASM. - Park brake.....	4.591
2	SLIDER - Park brake cable.....	4.785
3	CABLE ASM. - Park brake.....	4.785
4	GRIP - Park brake lever.....	4.592
5	COVER - Park brake opening.....	4.612
6	GROMMET - Park brake switch lead.....	4.589
7	BOLT & WASHER - Lever asm. to underbody....	4.591
8	PLATE - Park brake relay rod insulator.....	4.594
9	INSULATOR - Park brake relay rod.....	4.594
10	NUT - Relay rod to cable, Adjusting.....	4.594
11	EQUALISER - Cable, Front.....	4.765
12	CLIP - Relay rod boot retaining.....	4.594
13	BOOT - Relay rod.....	4.594
14	SPRING - Actuating lever return.....	5.149
15	BRACKET - Cable mounting.....	4.785
16	GUIDE - Cable to backing plate.....	4.785
17	SEAL - Cable to backing plate.....	4.784



SECTION B-B



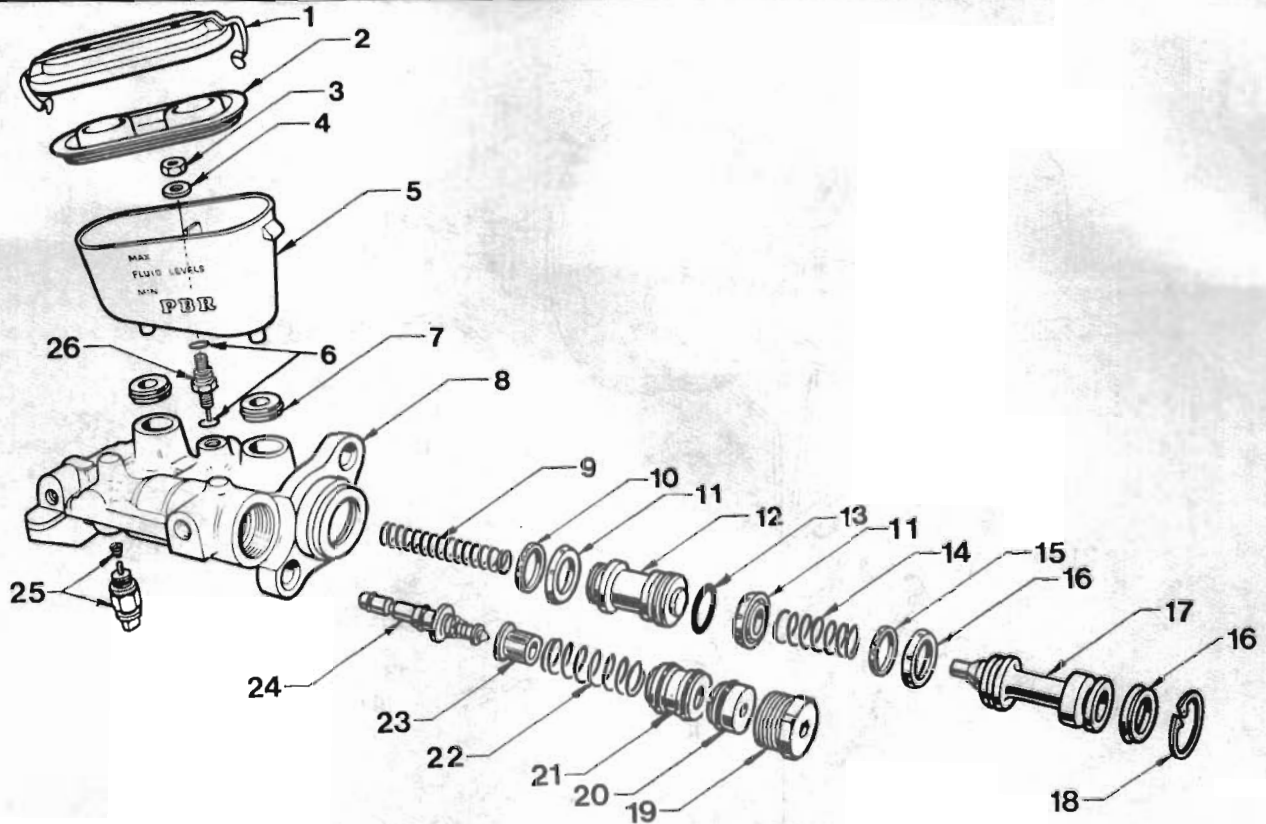
SECTION A-A

**PARK BRAKE
REAR DISC BRAKES
VL SERIES**

REF. NO.	PART NAME	GROUP
1	ADJUSTER - Brake shoe	5.103
2	PIN - Clevis.....	5.158
3	LINK - Pressure.....	5.158
4	LEVER - Park brake actuating.....	5.149
5	SPRING - Park brake actuating lever return.....	5.149
6	SPRING - Park brake shoe return.....	5.151
7	SPRING - Park brake shoe hold down.....	5.043
8	PIN - Park brake shoe hold down spring.....	5.043
9	SHOE & LINING ASM.....	5.017



"V" SERIES PARTS CATALOGUE

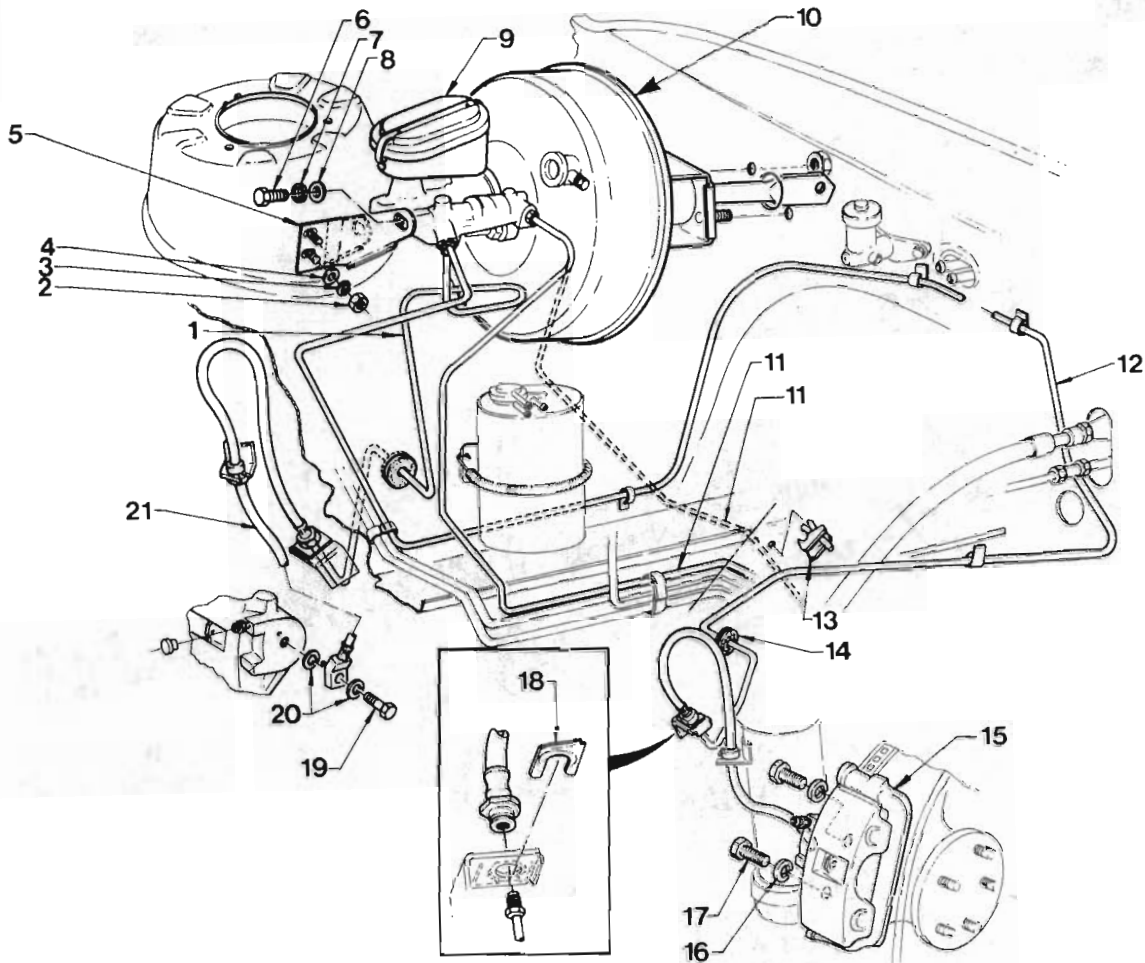


BRAKE MAIN CYLINDER VL SERIES

REF. NO.	PART NAME	GROUP
1-26	CYLINDER ASM.....	4.650
1	CAP & CLAMP ASM. - Reservoir.....	4.651
2(A)	SEAL - Reservoir cap.....	4.651
3	NUT - Reservoir to cylinder.....	NSS
4	WASHER - Reservoir to cylinder.....	NSS
5	RESERVOIR.....	4.651
6(B)	GASKET - Copper.....	NSS
7(A)	SEAL - Reservoir to body.....	NSS
8	BODY - Master cylinder.....	NSS
9(B)	SPRING - Secondary piston.....	NSS
10(A)	RING - Cup retaining.....	NSS
11(A)	CUP - Secondary piston.....	NSS
12(B)	PISTON - Secondary.....	NSS
13(AB)	'O' RING - Secondary piston.....	NSS
14(B)	SPRING - Primary piston.....	NSS
15(A)	RING - Cup retaining.....	NSS
16(A)	CUP - Primary piston.....	NSS
17(B)	PISTON - Primary.....	NSS
18(B)	CIRCLIP.....	4.656
19	FITTING - Proportioning valve.....	NSS
20	PLUG - Proportioning valve.....	NSS
21(A)	SEAL BLOCK & PISTON ASM.....	NSS
22	SPRING.....	NSS
23	RETAINER - Piston & poppet.....	NSS
24(A)	PISTON & POPPET ASM.....	NSS
25	SWITCH - Pressure warning.....	4.663
26	STUD - Secondary piston stop & reservoir attaching.....	4.653

NOTE:- (A Parts are included in Major Repair Kit. Refer Group 4.649

(B Parts are included in Main Bore Repair Kit. Refer Group 4.649

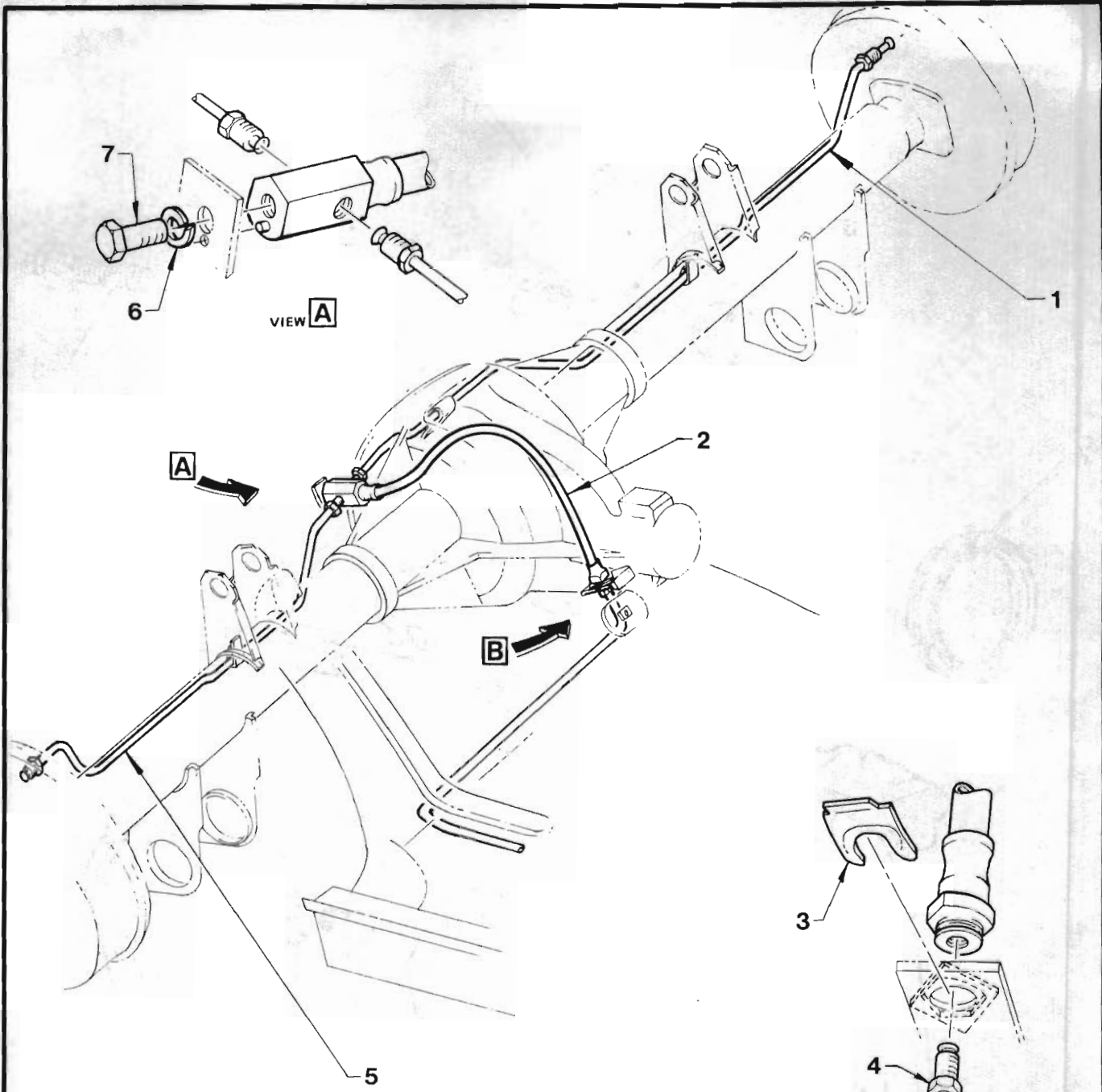


**FRONT BRAKE PIPES
VL SERIES**

REF. NO.	PART NAME	GROUP
1	PIPE ASM. - Main cylinder to front brake, RH....	4.685
2	NUT - Bracket to fender skirt.....	4.648
3	WASHER - Bracket to fender skirt, Lock.....	4.648
4	WASHER - Bracket to fender skirt, Flat.....	4.648
5	BRACKET - Main cylinder support.....	4.648
6	SCREW - Bracket to cylinder.....	4.648
7	WASHER - Bracket to cylinder, Lock.....	4.648
8	WASHER - Bracket to cylinder, Flat.....	4.648
9	CYLINDER ASM. - Brake main.....	4.650
10	BOOSTER ASM. - Brake vacuum servo.....	4.901
11	PIPE ASM. - Main cylinder to rear brake hose....	4.685
12	PIPE ASM. - Main cylinder to front brake, LH....	4.685
13	CLIP - Brake pipe.....	4.686
14	GROMMET - Fender skirt.....	4.685
15	CALIPER ASM. - Front disc brake.....	4.665
16	WASHER - Caliper to knuckle, Lock.....	4.665
17	BOLT - Caliper to knuckle.....	4.665
18	CLIP - Front brake hose to bracket.....	4.681
19	BOLT - Front brake hose to caliper.....	4.680
20	GASKET - Front brake hose to caliper.....	4.680
21	HOSE - Front brake.....	4.680

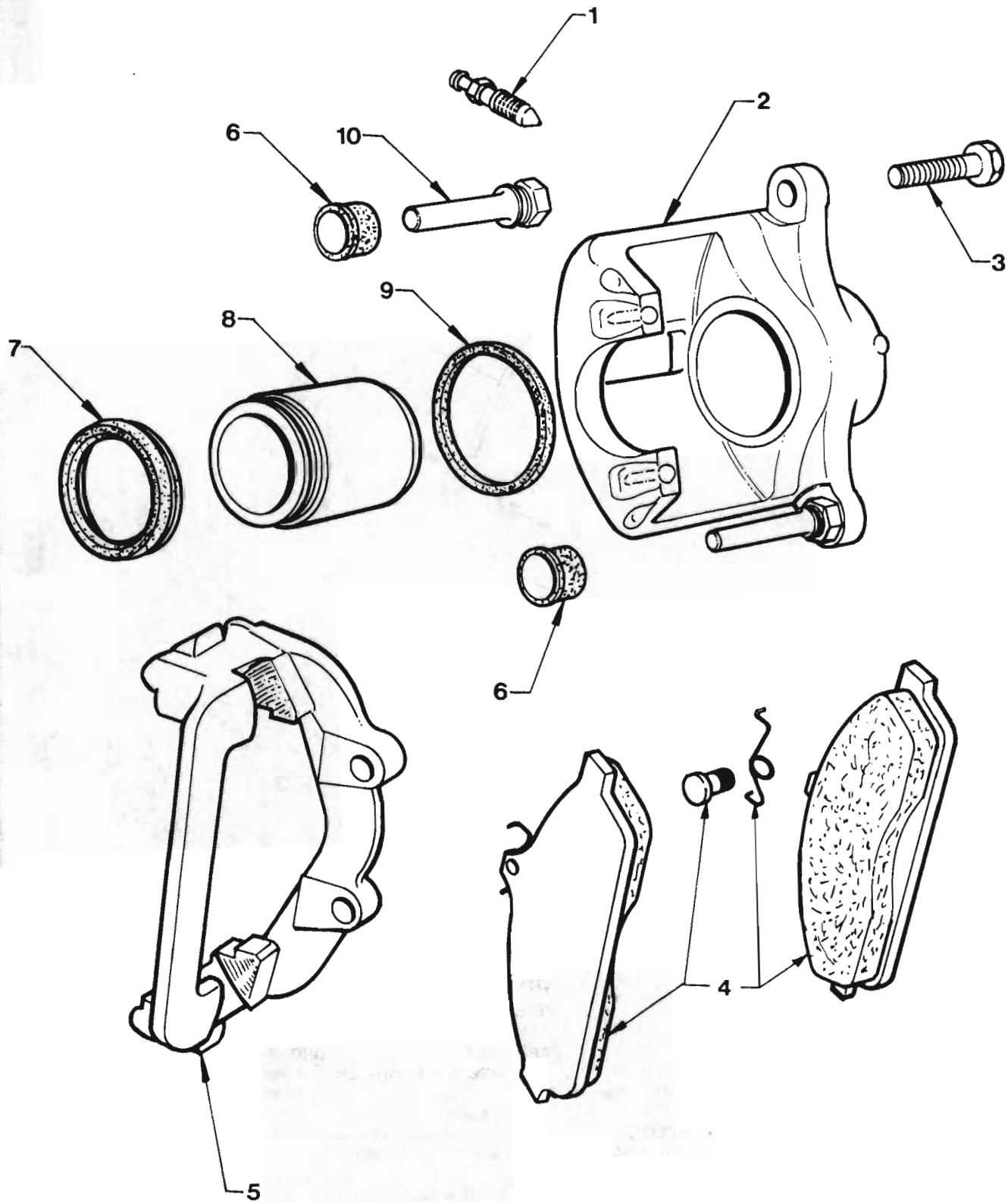


"V" SERIES PARTS CATALOGUE



**REAR BRAKE PIPES
VL SERIES**

REF. NO.	PART NAME	GROUP
1	PIPE ASM. - Rear brake hose to rear brake, LH	4.685
2	HOSE - Rear brake	4.680
3	CLIP - Rear brake hose to bracket	4.681
4	PIPE ASM. - Main cylinder to rear brake hose	4.685
5	PIPE ASM. - Rear brake hose to rear brake, RH	4.685
6	WASHER - Rear brake hose to axle bracket	4.681
7	BOLT - Rear brake hose to axle bracket	4.681





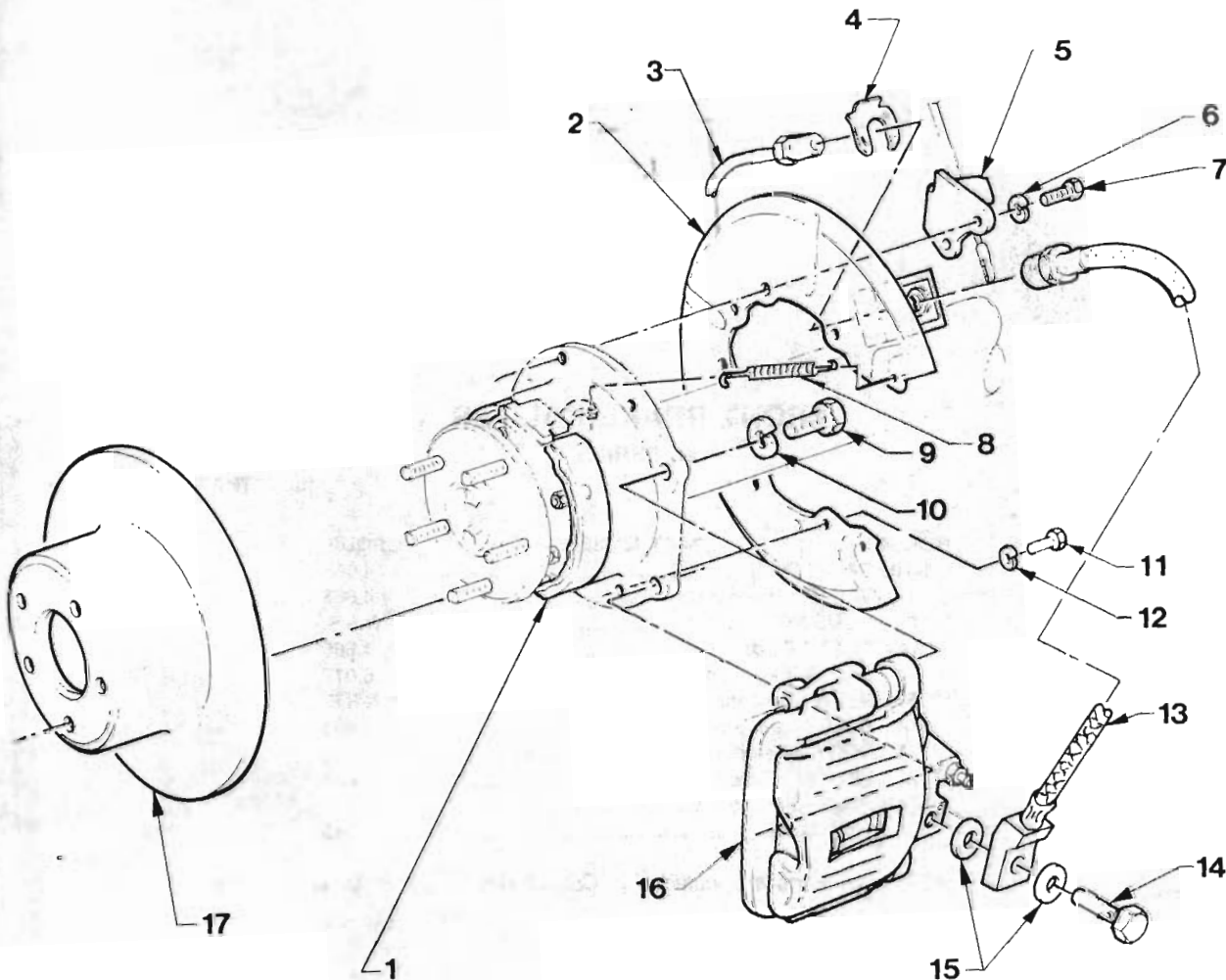
"V" SERIES PARTS CATALOGUE

FRONT BRAKE CALIPER VL SERIES

ILLUSTRATION OPPOSITE

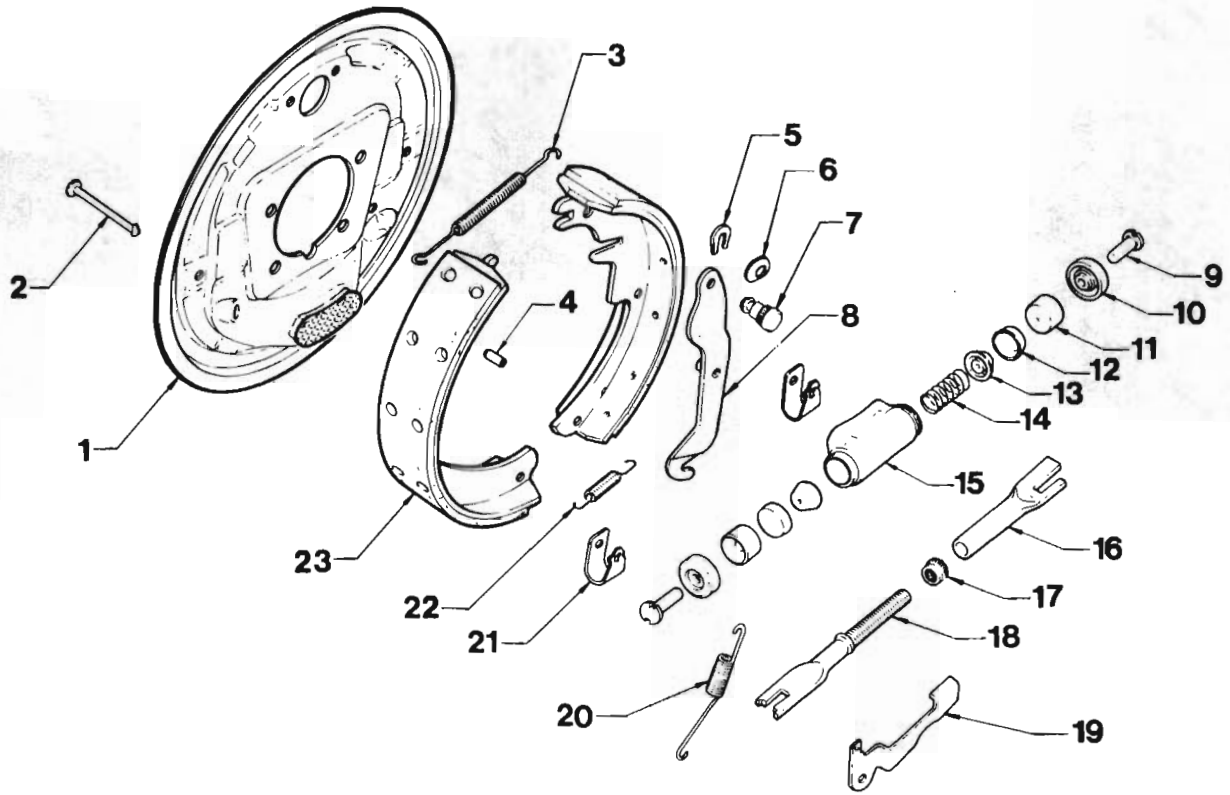
REF. NO.	PART NAME	GROUP
1-10	CALIPER ASM.....	4.665
1	VALVE - Bleeder.....	4.666
2	HOUSING.....	N.S.S.
3(A)	BOLT - Guide pin.....	4.665
4	PAD SET - Brake caliper.....	5.017
5	PLATE - Anchor.....	N.S.S.
6(A)	BOOT - Guide pin.....	4.665
7(A)	BOOT - Piston.....	N.S.S.
8	PISTON - Caliper.....	4.668
9(A)	RING - Sealing.....	N.S.S.
10	PIN - Guide.....	4.665

NOTE:- (A Parts are included in Caliper Repair Kit. Refer Group 4.667



**REAR DISC BRAKES
VL SERIES**

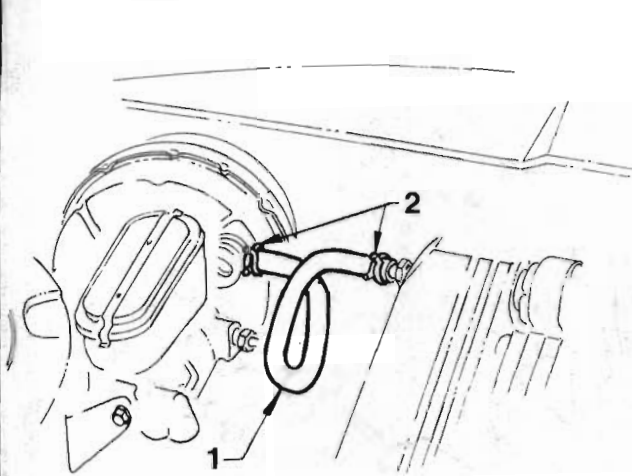
REF. NO.	PART NAME	GROUP
1	DISC ASM. - Rear.....	5.809
2	SHIELD ASM. - Rear brake caliper.....	5.002
3	PIPE ASM. - Rear brake hose to rear brake.....	4.685
4	CLIP - Rear brake hose to LH & RH axle brackets.....	4.681
5	BRACKET - Park brake cable mounting.....	4.785
6	WASHER - Bracket to caliper support.....	4.785
7	BOLT - Bracket to caliper support.....	4.785
8	SPRING - Actuating lever return.....	5.149
9	BOLT - Caliper to support.....	4.665
10	WASHER - Caliper to support.....	4.665
11	BOLT - Shield to support.....	5.002
12	WASHER - Shield to support.....	5.002
13	HOSE - Rear brake pipe to caliper.....	4.680
14	BOLT - Rear brake hose to caliper.....	4.680
15	GASKET - Rear brake hose to caliper.....	4.680
16	CALIPER ASM. - Rear.....	4.665
17	SHOE & LINING ASM. - Park brake.....	5.017



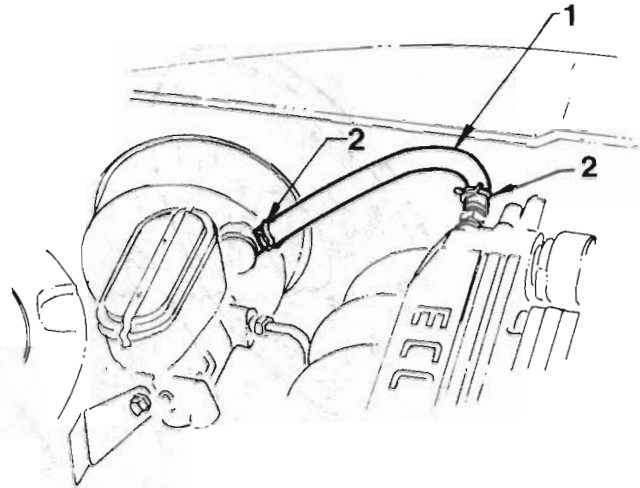
REAR DRUM BRAKES

REF. NO.	PART NAME	GROUP
1	PLATE ASM. - Brake backing.....	5.001
2	PIN - Brake shoe hold down	5.043
3	SPRING - Brake shoe tension - Upper.....	5.026
4	VALVE - Rear cylinder.....	4.666
5	CLIP - Lever retaining	5.158
6	WASHER - Lever to shoe.....	5.158
7	PIN - Lever to shoe.....	5.158
8	LEVER - Park brake actuating.....	5.149
9	ROD - Push.....	4.675
10(A)	BOOT - Wheel cylinder.....	4.670
11	PISTON - Wheel cylinder	4.668
12(A)	CUP - Wheel cylinder.....	4.667
13	EXPANDER - Wheel cylinder piston cup.....	4.668
14	SPRING - Wheel cylinder.....	4.669
15	BODY - Wheel cylinder.....	4.665
16(B)	SLEEVE - Brake shoe adjusting.....	N.S.S.
17(B)	NUT - Brake shoe adjusting	N.S.S.
18(B)	SCREW - Brake shoe adjusting	N.S.S.
19	LEVER - Nut actuating.....	5.103
20	SPRING - Actuating lever.....	5.107
21	SPRING - Brake shoe hold down.....	5.043
22	SPRING - Brake shoe tension - Lower.....	5.026
23	SHOE & LINING ASM.....	5.017

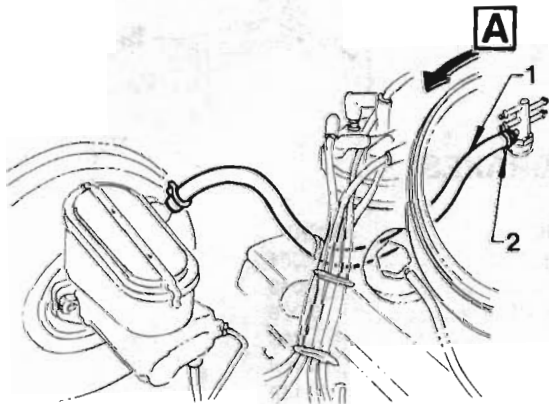
NOTE:- (A Part of Cylinder Repair Kit. Refer Group 4.667
 (B Part of Adjuster Asm. Refer Group 5.103)



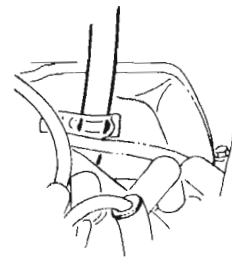
6 CYL. ENG.
WITH TURBO



6 CYL. ENG.
EXC. TURBO



8 CYL. ENG.



VIEW **A**

**VACUUM SERVO BRAKE HOSE
VL SERIES**

REF. NO.	PART NAME	GROUP
1	HOSE - Brake vacuum servo.....	4.931
2	CLAMP - Hose.....	4.931



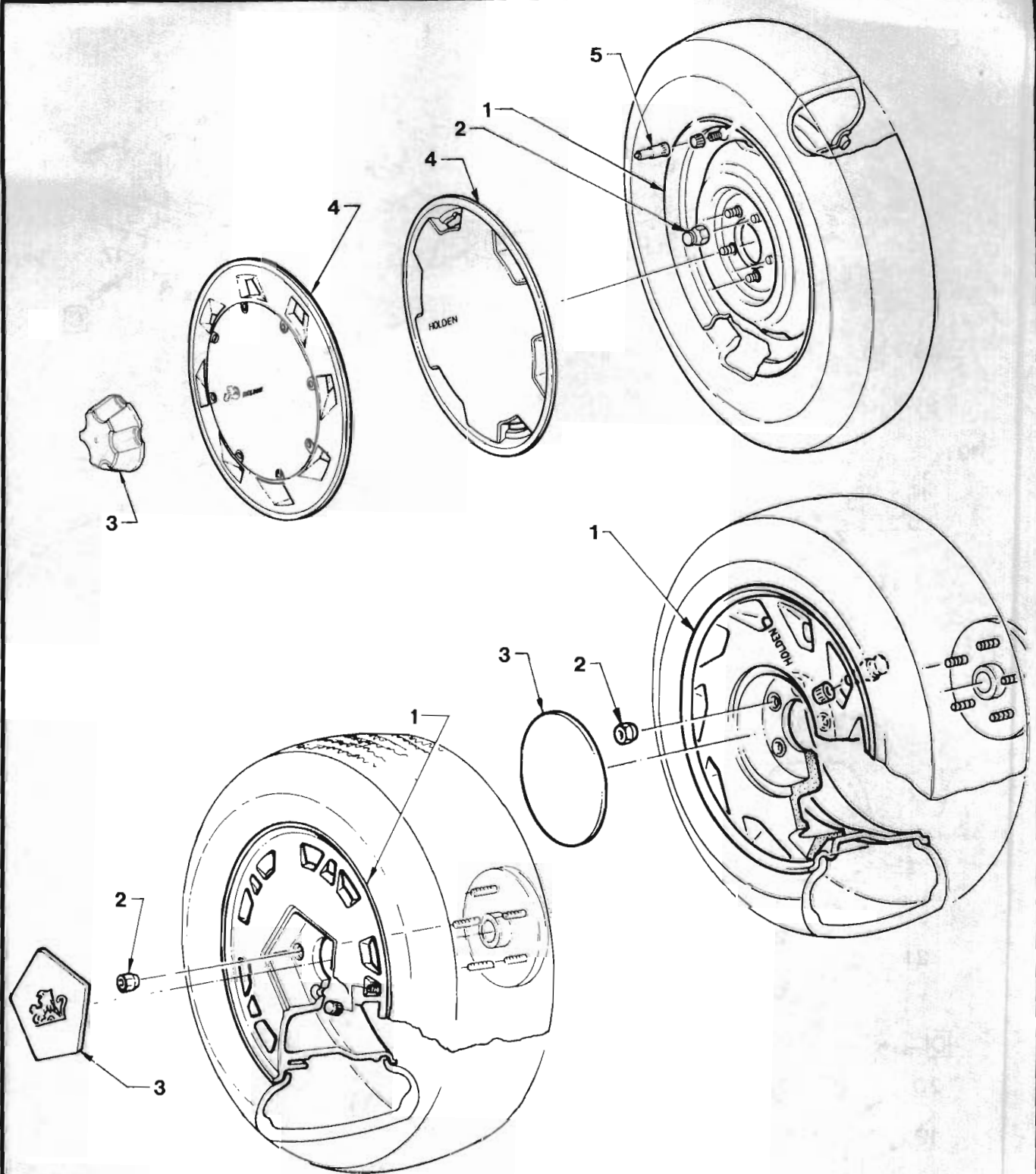
GROUP

5.000

**REAR AXLE
WHEELS**

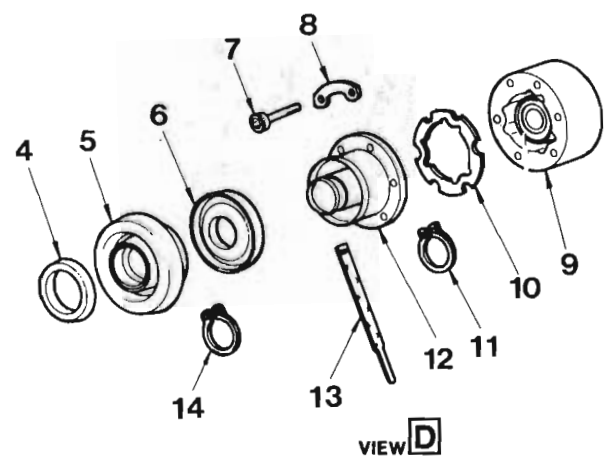
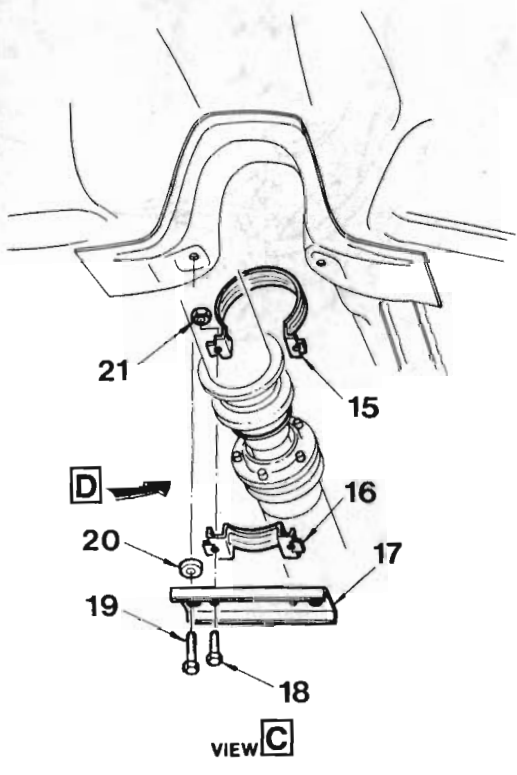
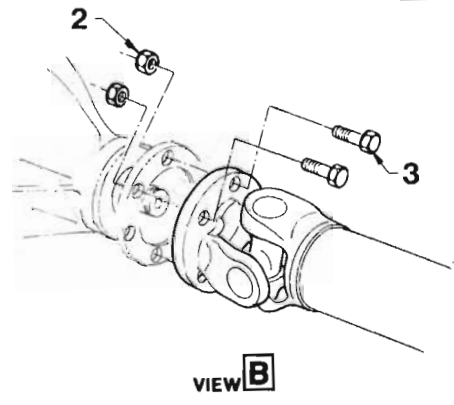
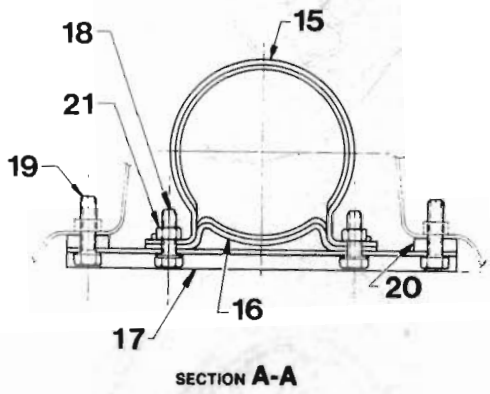
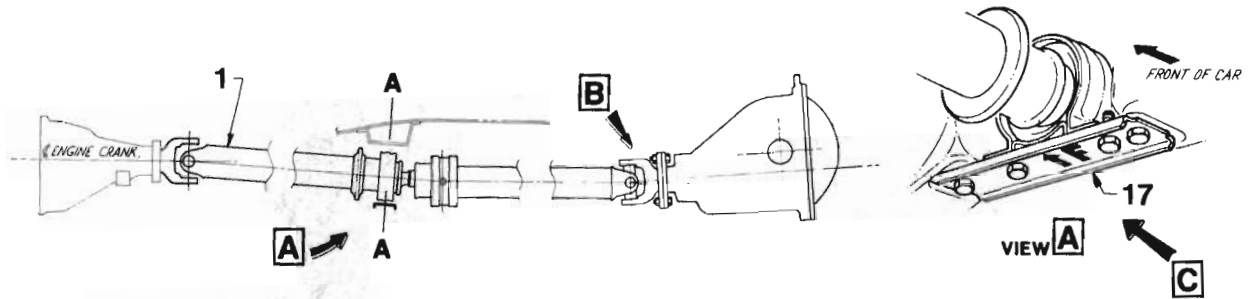


"V" SERIES PARTS CATALOGUE



**WHEEL - ROAD
VL SERIES**

REF. NO.	PART NAME	GROUP
1	WHEEL - Road.....	5.803
2	NUT - Wheel hub bolt.....	5.813
3	CAP ASM. - Wheel centre.....	5.858
4	COVER ASM. - Wheel.....	5.858
5	EXTENSION - Tyre valve.....	5.875





PROPELLER SHAFT

VL SERIES

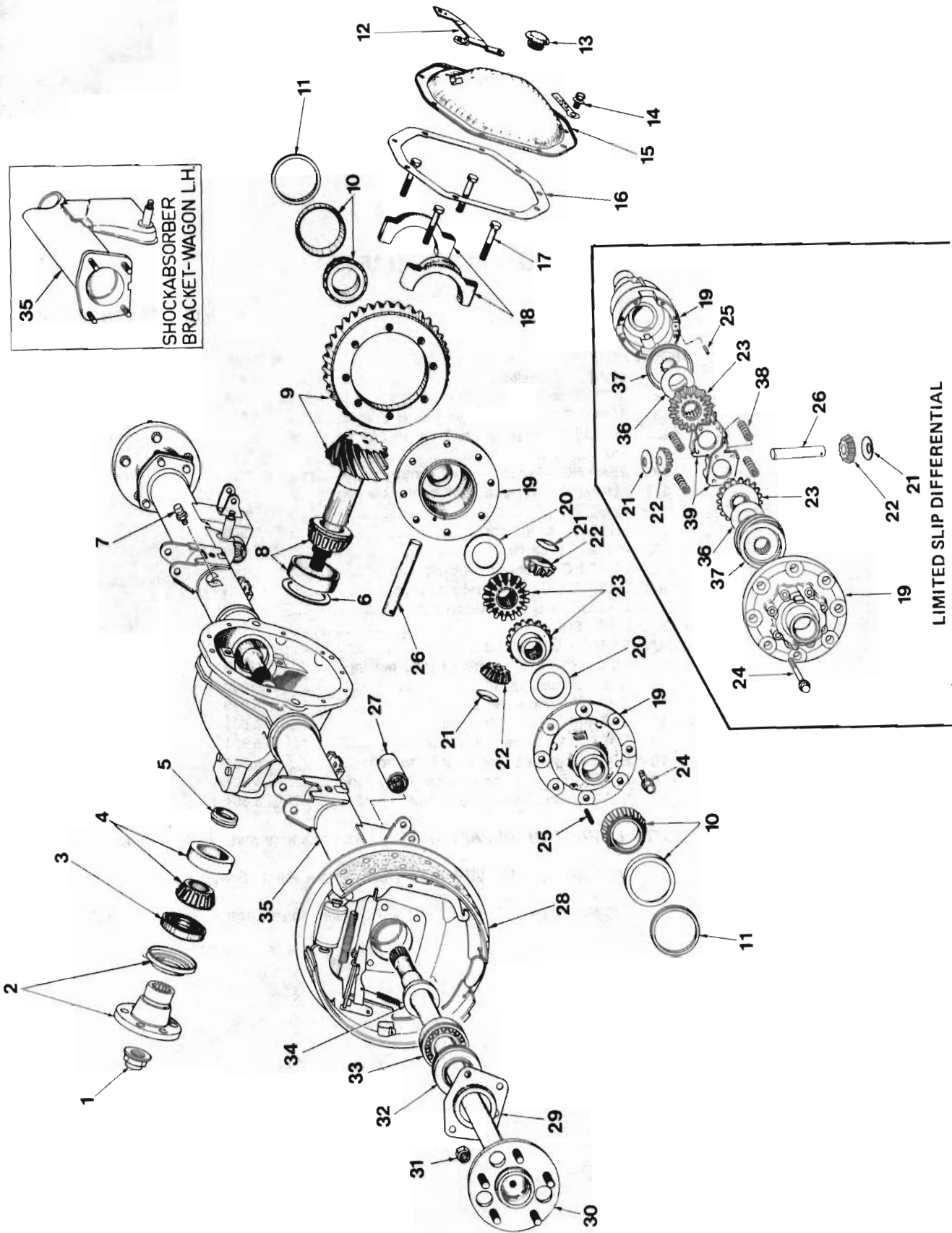
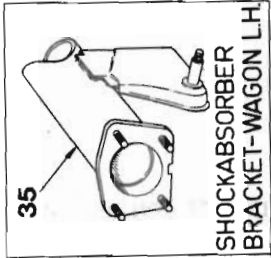
ILLUSTRATION OPPOSITE

REF. NO.	PART NAME	GROUP
1	SHAFT - Propeller	5.544
2	NUT - Propeller shaft to rear axle	5.586
3	BOLT - Propeller shaft to rear axle	5.586
4(C)	SLINGER - Propeller shaft centre bearing - Front	NSS
5(C)	BEARING - Propeller shaft centre	NSS
6(C)	SLINGER - Propeller shaft centre bearing - Rear	NSS
7	SCREW - Allen head	5.548
8	PLATE - Lock	5.548
9(A)	BEARING - Constant velocity joint	NSS
10(AB)	GASKET - Constant velocity joint	NSS
11(A)	CIRCLIP - Constant velocity joint	NSS
12(AB)	DUST SHIELD	NSS
13(AB)	STRAP - Dust shield	NSS
14(C)	CIRCLIP - Propeller shaft centre bearing	NSS
15	CUP - Bearing upper	5.600
16	CUP - Bearing lower	5.600
17	CARRIER - Centre bearing	5.601
18	BOLT - Centre bearing to carrier	5.601
19	BOLT - Centre bearing carrier to floor	5.601
20	SPACER - Centre bearing carrier to floor	5.601
21	NUT - Centre bearing to carrier	5.601

NOTE:- (A PART OF REPAIR KIT - Constant velocity joint. Refer Group 5.548

(B PART OF REPAIR KIT - Dust Shield. Refer Group 5.548

(C PART OF BEARING KIT - Propeller shaft centre. Refer Group 5.600



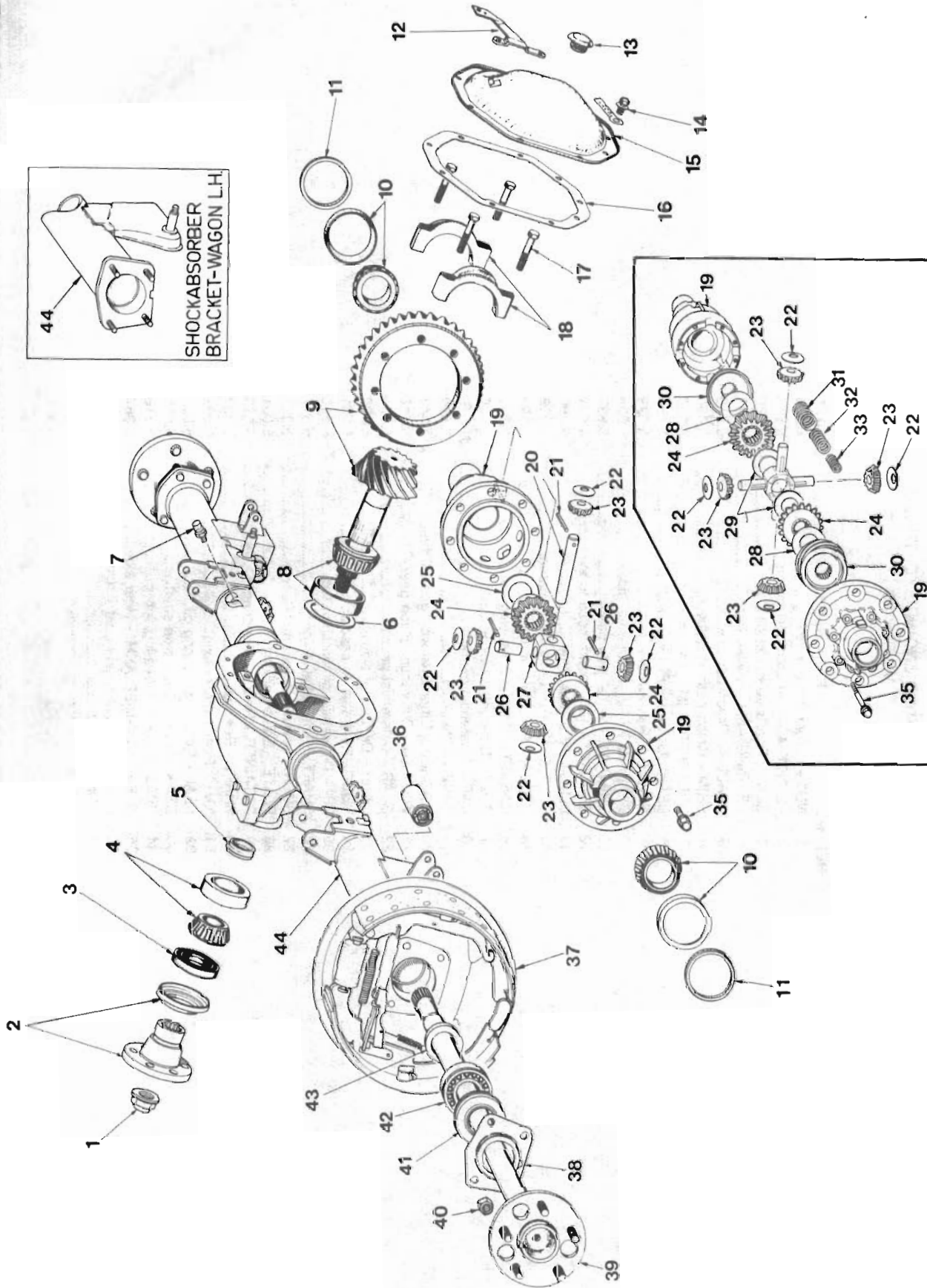
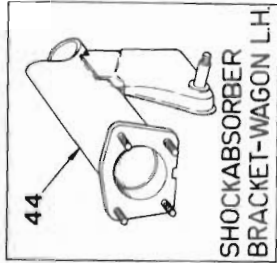
LIMITED SLIP DIFFERENTIAL



**REAR AXLE - TWO PINION
6 CYLINDER ENGINE EXC. TURBO.
VL SERIES**

ILLUSTRATION OPPOSITE

REF. NO.	PART NAME	GROUP
1	NUT - Pinion flange retaining.....	5.545
2	FLANGE ASM. - Differential pinion.....	5.545
3	SEAL - Rear axle pinion oil.....	5.469
4	BEARING ASM. - Pinion front.....	5.447
5	SPACER - Pinion bearing.....	5.453
6	SHIM - Pinion bearing adjusting.....	5.460
7	BREATHER ASM. - Rear axle.....	5.387
8	BEARING ASM. - Pinion rear.....	5.484
9	RING GEAR & PINION.....	5.529
10	BEARING ASM. - Differential side.....	5.536
11	SHIM - Differential side bearing adjusting.....	5.537
12	BRACKET - Rear brake hose to axle.....	4.681
13	PLUG - Differential filler.....	5.400
14	BOLT & WASHER - Cover to carrier.....	5.398
15	COVER - Rear axle housing.....	5.398
16	GASKET - Rear axle housing cover.....	5.399
17	BOLT - Differential carrier cap.....	5.506
18	CAP - Differential carrier.....	N.S.S.
19	CASE - Differential.....	5.510
20	WASHER - Differential side gear, Thrust.....	5.543
21	WASHER - Differential pinion gear, Thrust.....	5.542
22	GEAR - Differential pinion.....	5.526
23	GEAR - Differential side.....	5.528
24	BOLT - Ring gear to case.....	5.531
25	PIN - Differential pinion shaft lock.....	5.518
26	SHAFT - Differential pinion.....	5.517
27	BUSH - Lower control arm, Rear.....	5.381
28	PLATE - Brake backing.....	5.001
29	RETAINER - Rear axle bearing, Outer.....	5.816
30	SHAFT - Rear axle.....	5.420
31	NUT - Rear plate to axle.....	5.002
32	SEAL - Rear axle bearing oil.....	5.822
33	BEARING KIT - Rear axle shaft.....	5.855
34	RING - Rear axle bearing, Inner.....	5.816
35	TUBE & CARRIER ASM. - Rear axle.....	5.387
36	SHIM - Differential side gear thrust.....	5.543
37	CONE - Clutch.....	N.S.S.
38	SPRING - Differential pre-load.....	5.511
39	BLOCK - Spring.....	5.511



LIMITED SLIP DIFFERENTIAL



"V" SERIES PARTS CATALOGUE

REAR AXLE - FOUR PINION 3.0 LITRE ENGINE WITH TURBO. 5.0 LITRE ENGINE VL SERIES

ILLUSTRATION OPPOSITE

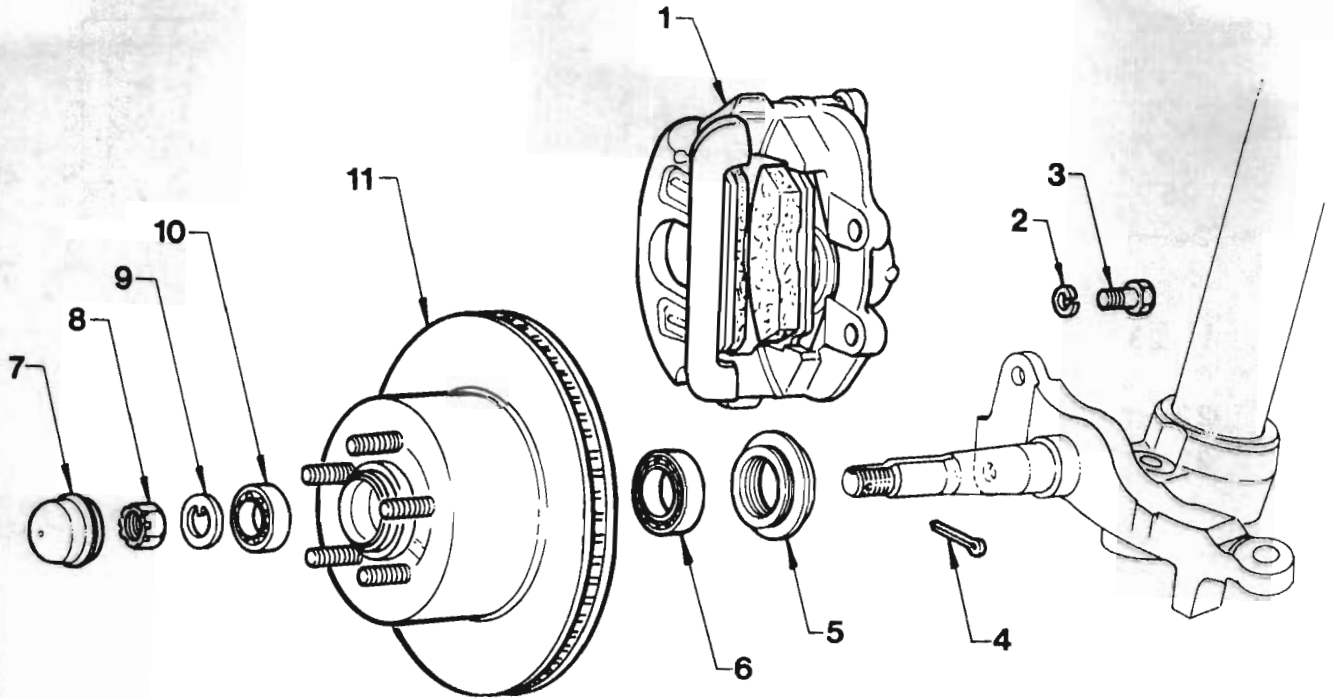
REF. NO.	PART NAME	GROUP	REF. NO.	PART NAME	GROUP
1	NUT - Pinion flange retaining	5.545	23	GEAR - Differential pinion	5.526
2	FLANGE ASM. - Differential pinion.....	5.545	24	GEAR - Differential side	5.528
3	SEAL - Rear axle pinion oil	5.469	25	WASHER - Differential side gear thrust.....	5.543
4	BEARING ASM. - Pinion front	5.447	26	SHAFT - Short	5.517
5	SPACER - Pinion bearing	5.453	27	BLOCK - Spring	5.511
6	SHIM - Pinion bearing adjusting	5.460	28	SHIM - Differential side gear thrust	5.543
7	BREATHER ASM. - Rear axle	5.387	29	PLATE - Spring thrust	5.511
8	BEARING ASM. - Pinion rear	5.484	30	CONE - Clutch	N.S.S.
9	RING GEAR & PINION	5.529	31	SPRING - Differential pre-load - Outer	5.511
10	BEARING ASM. - Differential side	5.536	32	SPRING - Differential pre-load - Middle	5.511
11	SHIM - Differential side bearing adjusting	5.537	33	SPRING - Differential pre-load - Inner	5.511
12	BRACKET - Rear brake hose to axle	4.681	34	SHAFT - Cross	5.517
13	PLUG - Differential filler	5.400	35	BOLT - Ring gear to case	5.531
14	BOLT & WASHER - Cover to carrier	5.398	36	BUSH - Lower control arm - Rear	5.381
15	COVER - Rear axle housing	5.398	37	PLATE - Brake backing	5.001
16	GASKET - Rear axle housing cover	5.399	38	RETAINER - Rear axle bearing - Outer	5.816
17	BOLT - Differential carrier cap	5.506	39	SHAFT - Rear axle	5.420
18	CAP - Differential carrier	N.S.S.	40	NUT - Rear plate to axle	5.002
19	CASE - Differential	5.510	41	SEAL - Rear axle bearing oil	5.822
20	SHAFT - Long	5.517	42	BEARING KIT - Rear axle shaft	5.855
21	PIN - Differential pinion shaft - Lock	5.518	43	RING - Rear axle bearing - Inner	5.816
22	WASHER - Differential pinion gear thrust	5.542	44	TUBE & CARRIER ASM. - Rear axle	5.387



GROUP

6.000

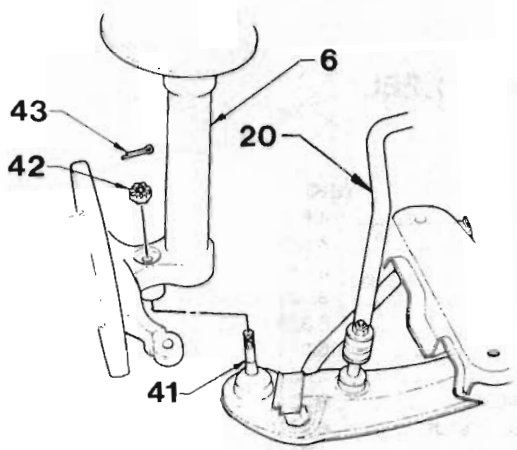
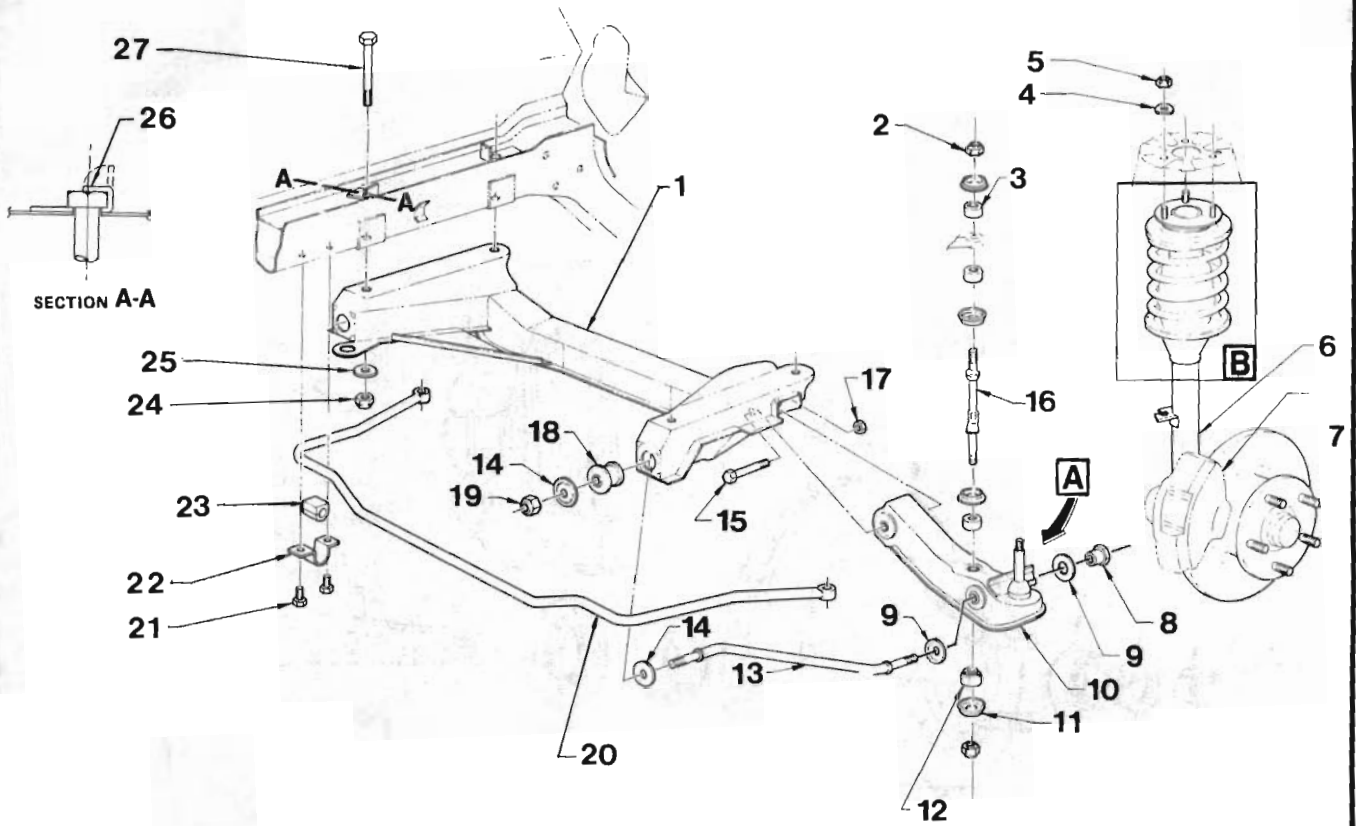
**FRONT SUSPENSION
STEERING**



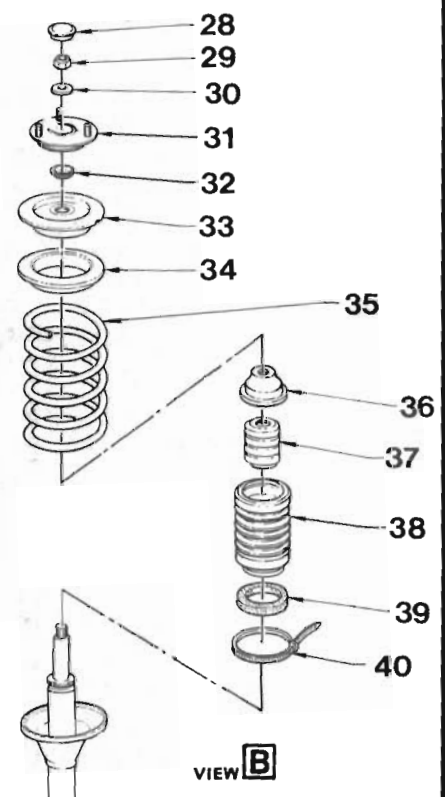
**HUB & DISC - FRONT WHEEL
VL SERIES**

REF. NO.	PART NAME	GROUP
1	CALIPER ASM. - Front disc brake.....	4.665
2	WASHER - Caliper to knuckle.....	4.665
3	BOLT - Caliper to knuckle.....	4.665
4	PIN - Hub & disc to knuckle & strut.....	6.321
5	SEAL ASM. - Front wheel bearing.....	6.326
6	BEARING - Front wheel inner.....	6.311
7	COVER - Front wheel bearing.....	6.330
8	NUT - Hub & disc to knuckle & strut.....	6.321
9	WASHER - Hub & disc to knuckle & strut.....	6.321
10	BEARING - Front wheel outer.....	6.313
11	HUB & DISC ASM. - Front wheel.....	6.307

"V" SERIES PARTS CATALOGUE



VIEW **A**



VIEW **B**



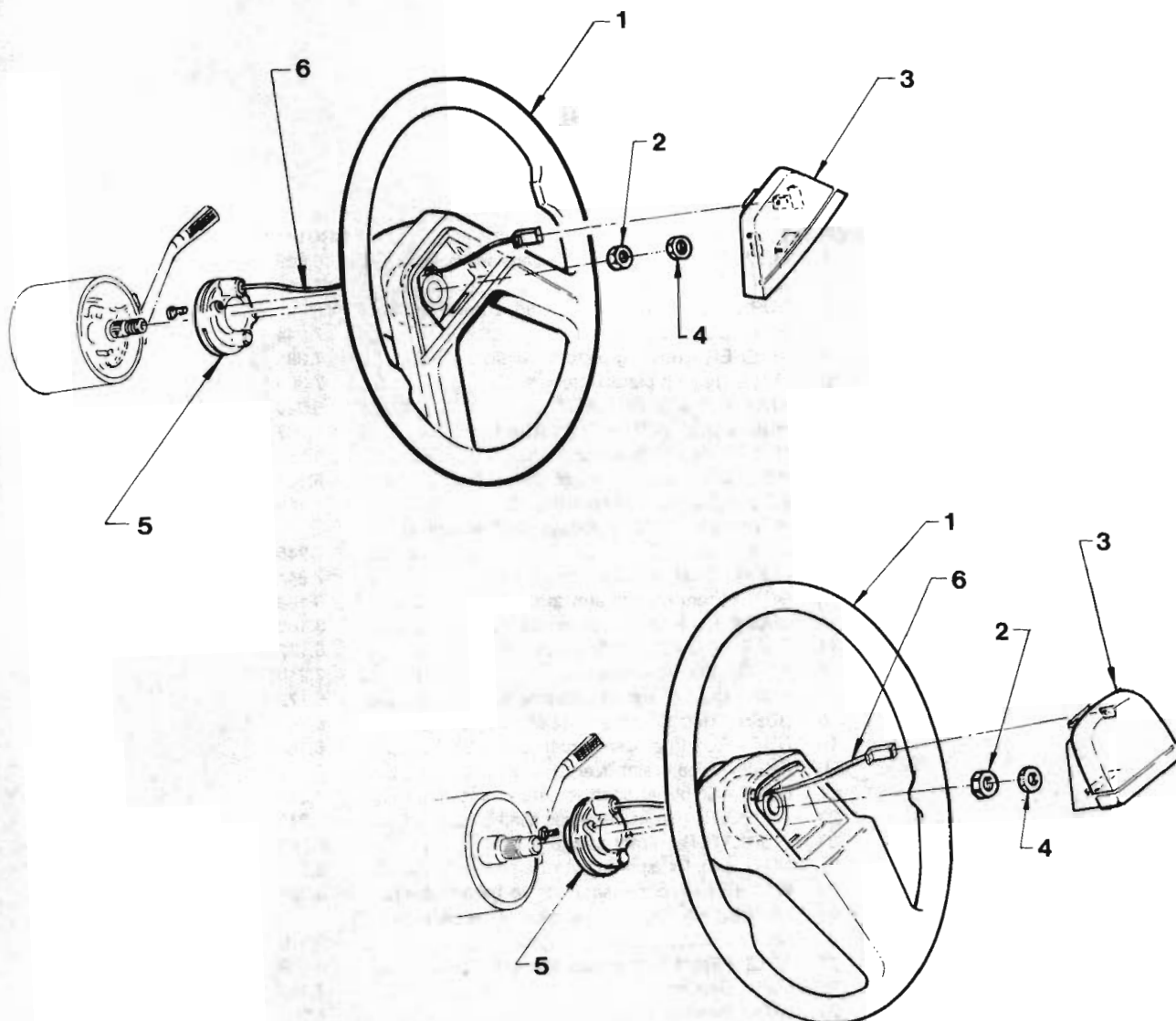
"V" SERIES PARTS CATALOGUE

FRONT SUSPENSION VL SERIES

ILLUSTRATION OPPOSITE

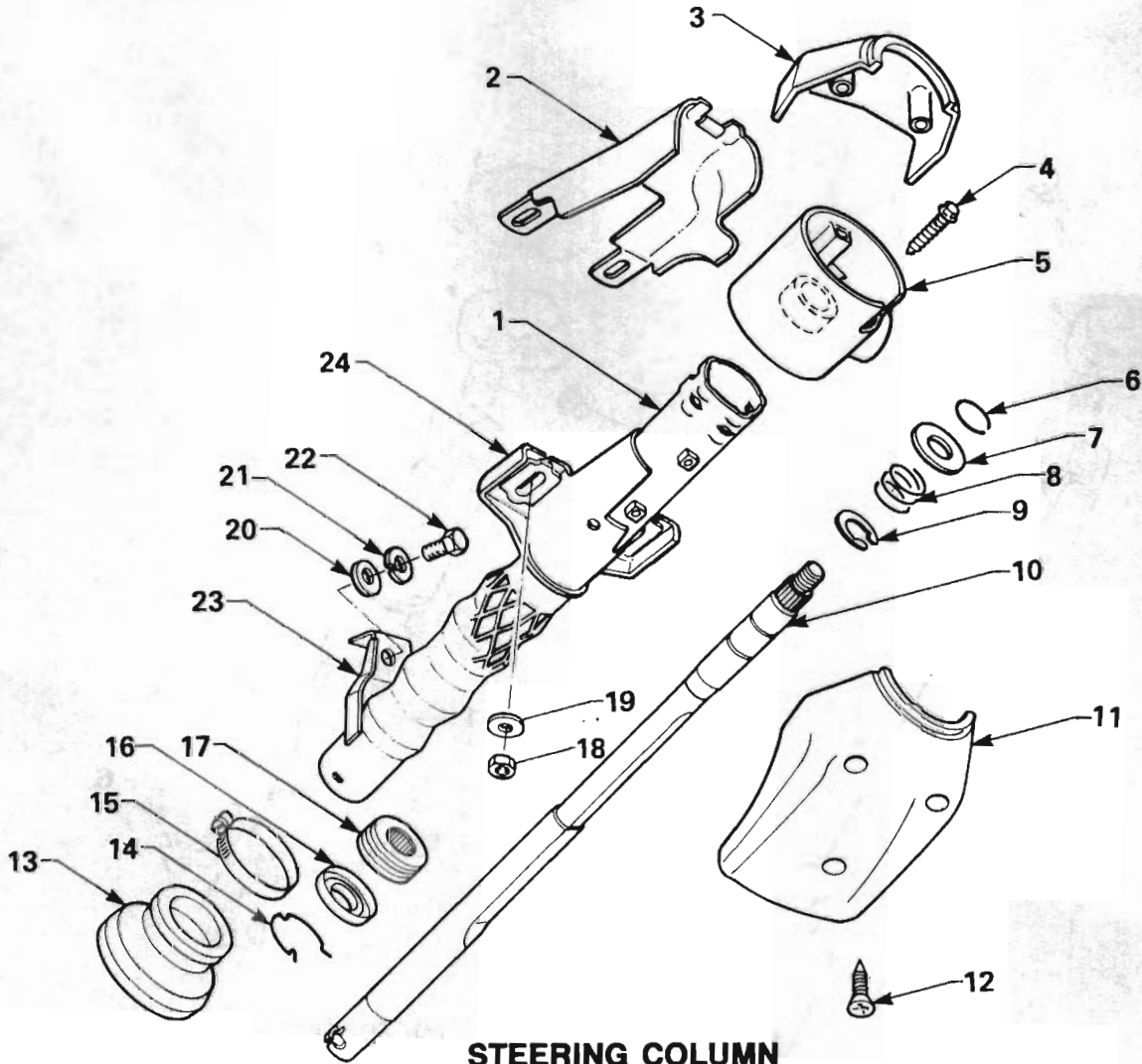
REF. NO.	PART NAME	GROUP
1	MEMBER ASM. - Front suspension cross.....	6.008
2	NUT - Spacer stud.....	7.240
3	BUSH - Stabilizer shaft to stud & lower control arm.....	7.244
4	WASHER - Bearing plate to fender.....	7.395
5	NUT - Bearing plate to fender.....	7.395
6	KNUCKLE & STRUT ASM.	6.020
7	HUB & DISC ASM. - Front wheel.....	6.307
8	NUT - Rod to control arm.....	6.168
9	WASHER - Rod to control arm.....	6.168
10	ARM ASM. - Lower control.....	6.168
11	RETAINER - Front stabilizer shaft mounting bush.....	7.245
12	BUSH - Stud to lower control arm.....	7.244
13	ROD - Front control arm tension.....	6.168
14	WASHER - Rod to crossmember.....	6.168
15	BOLT - Control arm to crossmember.....	6.172
16	STUD - Stabilizer spacer.....	7.240
17	NUT - Control arm to crossmember.....	6.172
18	BUSH - Rod to crossmember.....	6.168
19	NUT - Rod to crossmember.....	6.168
20	SHAFT - Front stabilizer.....	7.241
21	BOLT - Stabilizer shaft to side member.....	7.242
22	SUPPORT - Front stabilizer shaft.....	7.242
23	INSULATOR - Front stabilizer shaft.....	7.243
24	NUT - Front suspension to frame upper.....	6.008
25	WASHER - Front suspension to frame upper.....	6.008
26	RETAINER - Front suspension to frame upper bolt.....	NS
27	BOLT - Front suspension to frame upper.....	6.008
28	CAP - Bearing.....	7.395
29	NUT - Bearing to strut.....	7.395
30	WASHER - Bearing to strut.....	7.395
31	PLATE & BEARING ASM.....	7.395
32	SHIM - Bearing.....	7.395
33	SEAT - Spring upper.....	7.420
34	INSULATOR - Spring upper.....	7.420
35	SPRING - Front suspension.....	7.412
36(A)	ADAPTOR - Boot.....	NSS
37(A)	BUMPER - Cartridge piston.....	7.395
38(A)	BOOT - Piston rod.....	7.371
39(A)	FILTER - Front strut.....	NSS
40(A)	STRAP - Strut boot attaching.....	7.371
41	BALL JOINT ASM. - Lower control arm.....	6.174
42	NUT - Ball joint to steering knuckle.....	6.174
43	PIN - Ball joint to steering knuckle.....	6.174

NOTE:- (A PART OF BOOT & FILTER PACKAGE. Refer Group 7.371)



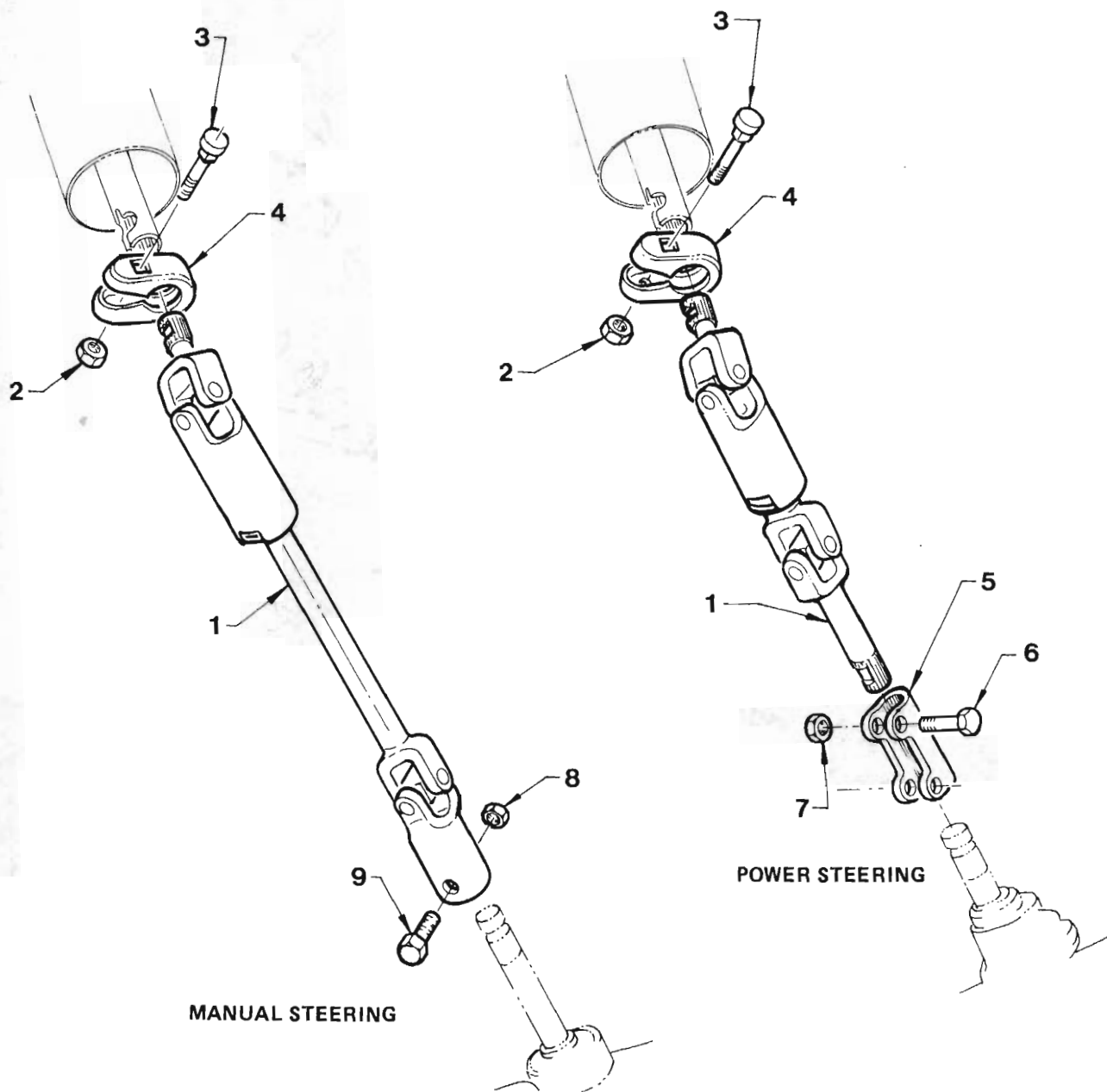
**STEERING WHEEL
VL SERIES**

REF. NO.	PART NAME	GROUP
1	WHEEL - Steering	6.513
2	NUT - Steering wheel to column.....	6.515
3	BAR ASM. - Horn actuating.....	2.830
4	NUT - Steering wheel to column, Lock.....	6.515
5	SUPPORT & RING ASM. - Horn contact	2.819
6	LEAD ASM. - Horn actuating bar earth	2.859



**STEERING COLUMN
VL SERIES**

REF. NO.	PART NAME	GROUP
1	JACKET & CAPSULE ASM.....	6.518
2	SHIELD - Ignition switch.....	2.195
3	COVER - Upper.....	6.518
4	SCREW - Housing to jacket.....	6.518
5	HOUSING - Steering column.....	6.518
6	RING - Upper bearing.....	6.521
7	WASHER - Lock, 75" x 1.00" x .0478".....	6.521
8	SPRING - Upper bearing.....	6.521
9	RETAINER - Upper bearing.....	6.521
10	SHAFT ASM. - Steering column.....	6.524
11	COVER - Lower.....	6.518
12	SCREW - Upper cover to lower cover.....	6.518
13	BOOT - Column to floor.....	6.518
14	CLIP - Adaptor, Offset type.....	6.521
15	CLAMP - Boot to steering column.....	6.518
16	SEAL Bearing lower.....	6.521
17	ADAPTOR & BEARING ASM.	6.521
18	NUT - Upper bracket to brace.....	6.518
19	WASHER - Upper bracket to brace.....	6.518
20	WASHER - Lower bracket to floor.....	6.518
21	WASHER - Lower bracket to floor.....	6.518
22	SCREW - Lower bracket to floor.....	6.518
23	BRACKET - Steering column support, Lower.....	6.760
24	BRACKET - Steering column support, Upper.....	6.760

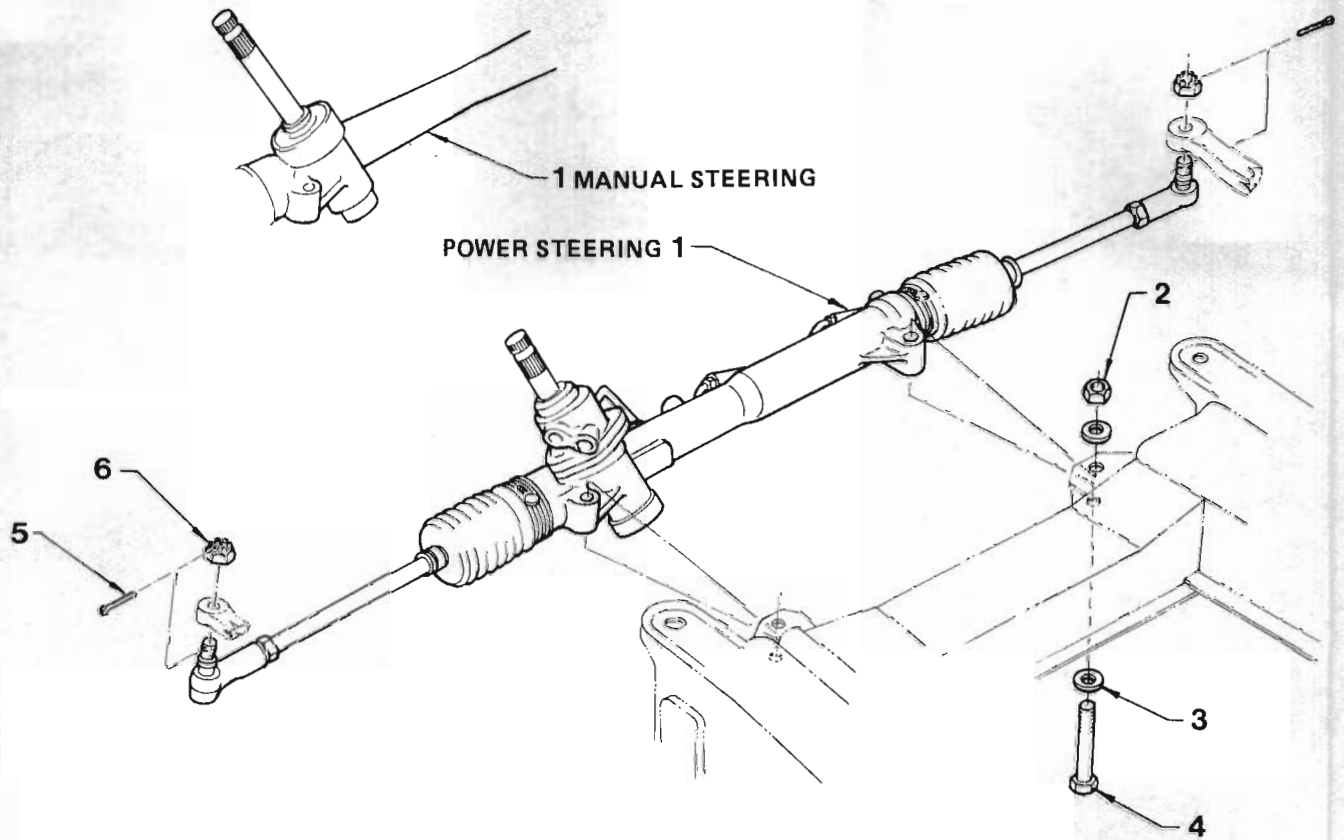


MANUAL STEERING

POWER STEERING

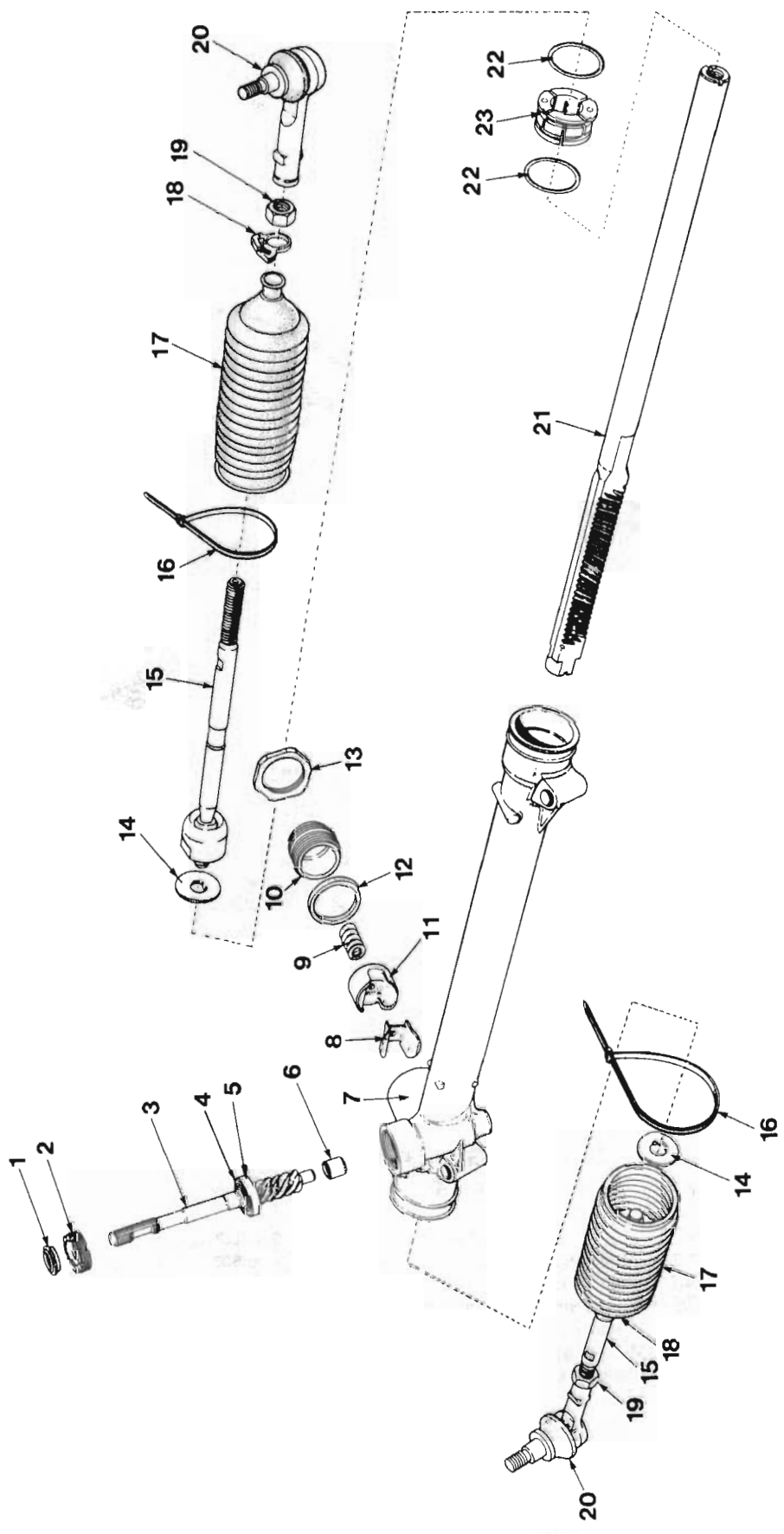
**STEERING COUPLING
VL SERIES**

REF. NO.	PART NAME	GROUP
1	COUPLING ASM. - Intermediate	6.525
2	NUT - Coupling clamp to steering column	6.525
3	BOLT - Coupling clamp to steering column	6.525
4	CLAMP - Intermediate coupling	6.525
5	FLANGE - Intermediate	6.525
6	BOLT - Coupling asm. to flange	6.525
7	NUT - Coupling asm. to flange	6.525
8	NUT - Coupling asm. to steering gear	6.525
9	BOLT - Coupling asm. to steering gear	6.525



**STEERING GEAR
VL SERIES**

REF. NO.	PART NAME	GROUP
1	GEAR ASM. - Steering	6.508
2	NUT - Gear asm. to crossmember	6.508
3	WASHER - Gear asm. to crossmember	6.508
4	BOLT - Gear asm. to crossmember	6.508
5	PIN - Steering tie rod socket to steering arm.....	6.234
6	NUT - Steering tie rod socket to steering arm....	6.234



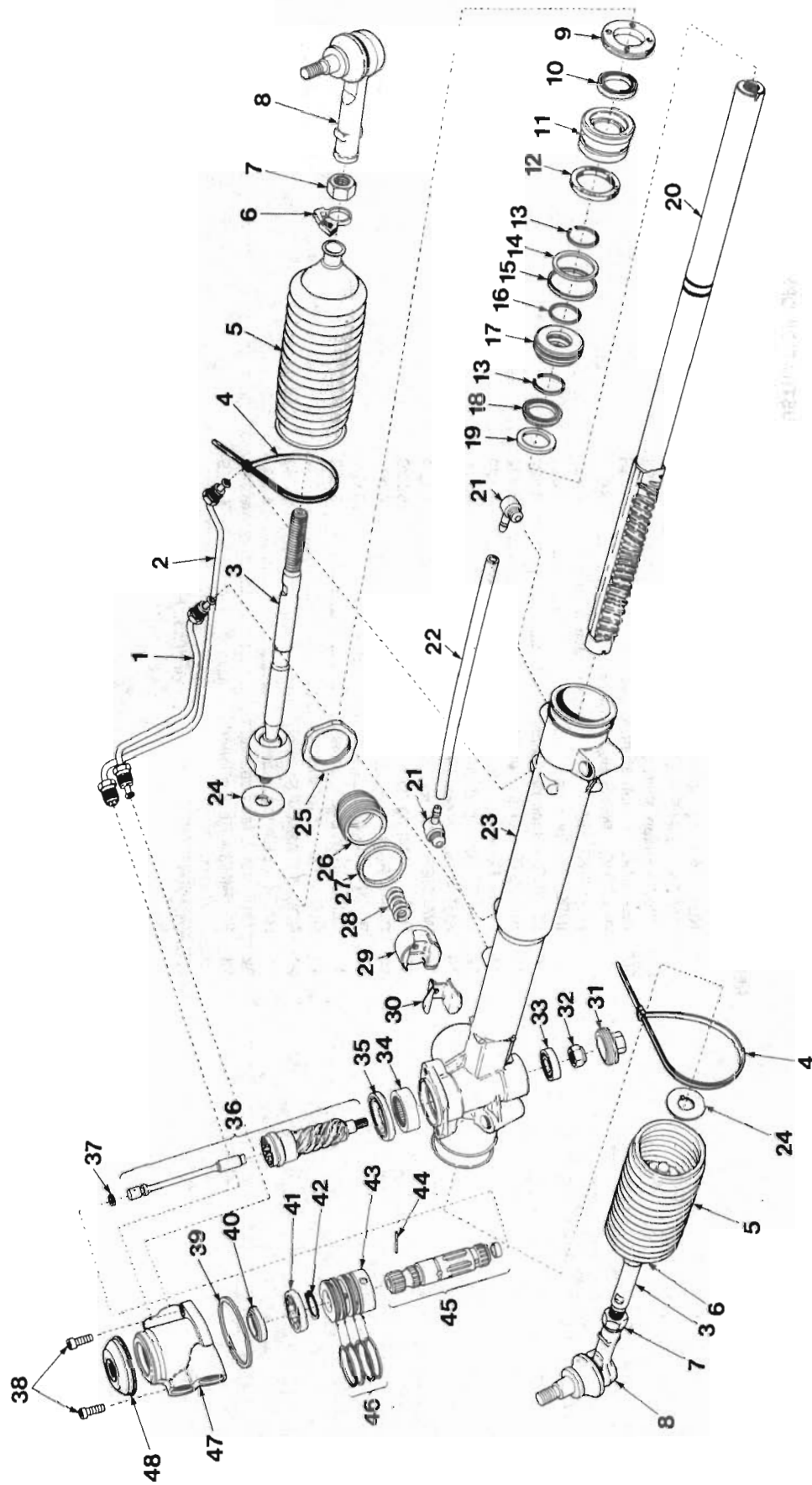


**STEERING GEAR
MANUAL STEERING
VL SERIES**

ILLUSTRATION OPPOSITE

REF. NO.	PART NAME	GROUP
1	SEAL - Pinion gear, Upper.....	6.525
2	NUT - Bearing retaining, Shaft.....	6.525
3	PINION & BEARING ASM.....	6.524
4(A)	RING - Pinion shaft bearing retaining.....	NSS
5(A)	BEARING - Pinion shaft, Upper.....	NSS
6	BEARING - Pinion shaft, Lower.....	6.525
7	HOUSING ASM. - Steering gear rack & pinion ...	6.803
8	INSERT - Rack pad.....	6.822
9	SPRING - Rack pad tension.....	6.822
10	ADJUSTER - Rack pad.....	6.822
11	PAD - Rack.....	6.822
12	SEAL - Rack pad adjuster.....	6.822
13	NUT - Lock, Rack pad adjuster.....	6.822
14	WASHER - Tie rod locating.....	6.232
15	ROD - Steering tie.....	6.230
16	CLIP - Boot inner, Large.....	6.232
17	BOOT - Tie rod.....	6.232
18	CLIP - Boot outer, Small.....	6.232
19	NUT - Tie rod to socket.....	6.234
20	SOCKET ASM. - Steering tie rod.....	6.233
21	RACK - Steering gear.....	6.508
22	'O' RING - Rack bearing.....	6.786
23	BEARING - Rack support.....	6.786

NOTE:-(A PART OF PINION & BEARING. Refer group 6.524



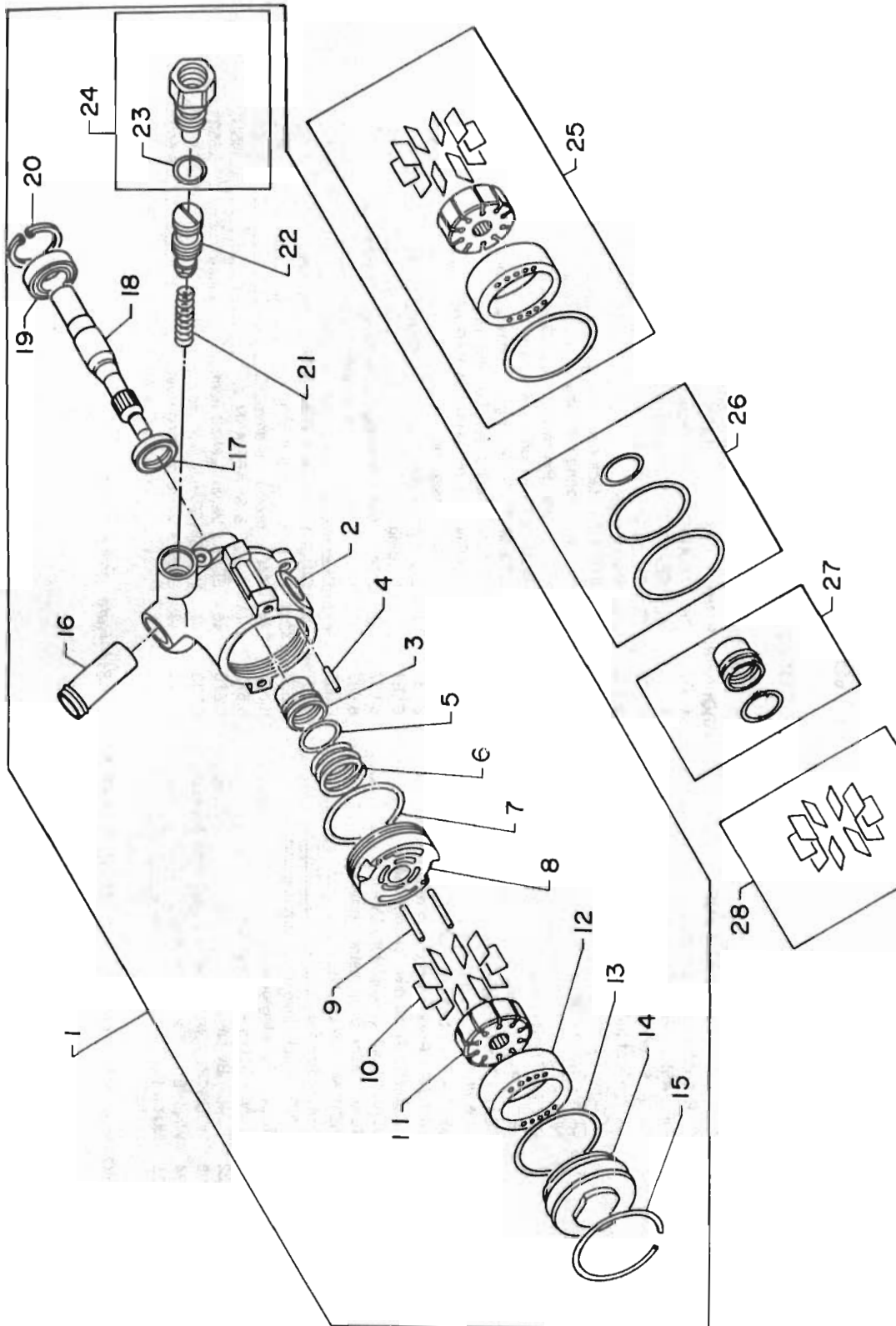


**STEERING GEAR
POWER STEERING
VL SERIES**

ILLUSTRATION OPPOSITE

REF. NO.	PART NAME	GROUP	REF. NO.	PART NAME	GROUP
1	PIPE ASM. - Feed, Short.....	6.670	26	ADJUSTER - Rack pad.....	6.822
2	PIPE ASM. - Feed, Long.....	6.670	27	SEAL - Rack pad adjuster.....	6.822
3	ROD - Steering tie.....	6.230	28	SPRING - Rack pad tension.....	6.822
4	CLIP - Boot inner, Large.....	6.232	29	PAD - Rack.....	6.822
5	BOOT - Tie rod.....	6.232	30	INSERT - Rack pad.....	6.822
6	CLIP - Boot outer, Small.....	6.232	31	PLUG - Bearing retaining.....	6.835
7	NUT - Tie rod to socket.....	6.234	32	NUT - Lock, Pinion shaft.....	6.830
8	SOCKET ASM. - Steering tie rod.....	6.233	33	BEARING - Pinion shaft, Lower.....	6.835
9	NUT - Rack bearing retaining.....	6.786	34	BEARING - Steering gear housing, Upper.....	6.525
10	SEAL - Rack bearing, Inner.....	6.786	35	SEAL - Steering gear housing, Upper.....	6.525
11	BEARING - Rack support.....	6.786	36	PINION, VALVE, SHAFT & BAR ASM.....	6.524
12	SEAL - Rack bearing, Outer.....	6.786	37	SEAL - Torsion bar.....	6.552
13	CIRCLIP - Rack drive piston retaining.....	6.587	38	SCREW - Valve housing to steering gear housing.....	6.552
14	'O' RING - Rack drive piston, Outer.....	6.587	39	SEAL - Valve housing to steering gear housing.....	6.552
15	SEAL - Rack drive piston, Outer.....	6.587	40	SEAL - Valve & shaft bearing, Upper.....	6.552
16	SEAL - Rack drive piston, Inner.....	6.587	41	BEARING - Valve & shaft, Upper.....	6.552
17	PISTON - Rack drive.....	6.587	42	CIRCLIP - Valve & shaft sleeve, Retaining.....	6.552
18	SEAL - Rack inner.....	6.587	43(A)	SLEEVE - Valve & shaft asm.....	NSS
19	RING - Rack drive inner seal support.....	6.508	44	PIN - Torsion bar drive.....	6.552
20	RACK - Steering gear.....	6.673	45(A)	VALVE & SHAFT ASM.....	NSS
21	CONNECTOR - By pass tube.....	6.670	46	SEAL - Valve & shaft asm.....	6.552
22	TUBE - By pass.....	6.803	47	HOUSING ASM. - Valve.....	6.550
23	HOUSING ASM. - Steering gear rack & pinion.....	6.232	48	SEAL - Valve housing dust.....	6.552
24	WASHER - Tie rod locating.....	6.822			
25	NUT - Lock rod pad adjuster.....				

NOTE:-(A PART OF PINION, VALVE, SHAFT & BAR ASM. Refer group 6.524





**POWER STEERING PUMP
VL SERIES**

ILLUSTRATION OPPOSITE

REF. NO.	PART NAME	GROUP
1	PUMP ASM.....	6.605
2	HOUSING ASM. - Pump.....	6.609
3(A)	SLEEVE ASM. - Pressure plate seal.....	NSS
4	PIN - Dowel.....	NSS
5(B)	'O' RING - Drive shaft.....	NSS
6	SPRING - Pressure plate.....	6.612
7(C)	'O' RING - Pressure plate.....	NSS
8	PLATE - Pressure.....	6.612
9	PIN - Pump ring to pressure plate.....	6.608
10(DE)	VANE - Pump.....	NSS
11(E)	ROTOR - Pump.....	NSS
12(E)	RING - Pump.....	NSS
13(CE)	'O' RING - Thrust plate.....	NSS
14	PLATE ASM. - Thrust.....	6.612
15	RING - Thrust plate retaining.....	6.609
16	TUBE - Return.....	NS
17(B)	SEAL - Drive shaft.....	6.617
18	SHAFT & BEARING ASM. - Drive.....	6.614
19	BEARING - Shaft.....	6.615
20	RING - Retaining.....	6.616
21	SPRING - Flow control.....	6.624
22	VALVE ASM. - Flow control.....	6.624
23	'O' RING - Fitting.....	NSS
24	FITTING & 'O' RING ASM.....	6.673
25	RING KIT - Rotor & vane.....	6.610
26	SEAL KIT.....	6.609
27	SLEEVE & SEAL KIT.....	6.612
28	VANE KIT.....	6.610

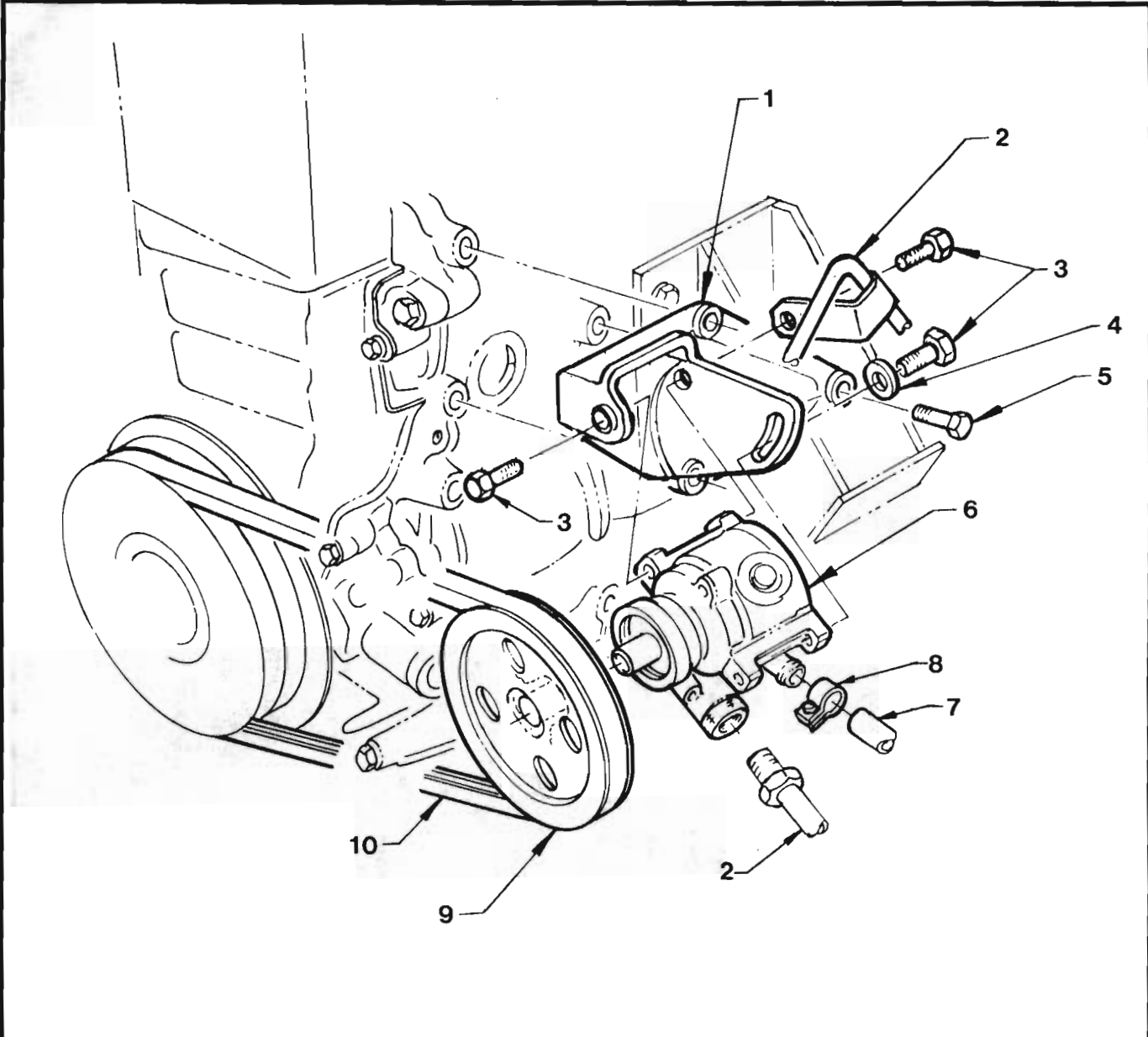
NOTE:-(A PART OF SLEEVE & SEAL KIT. Refer group 6.612

(B PART OF SEAL KIT - Drive shaft. Refer group 6.617

(C PART OF SEAL KIT - Power steering pump. Refer group 6.609

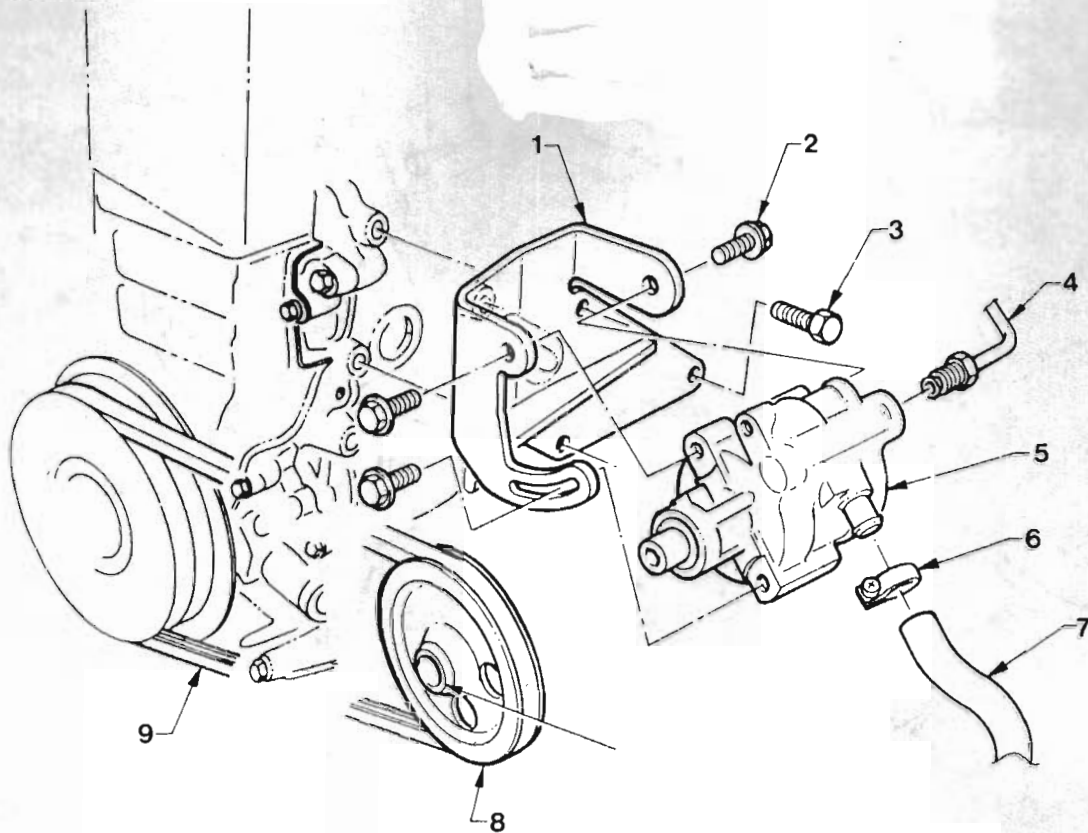
(D PART OF VANE KIT - Power steering pump. Refer group 6.610

(E PART OF RING KIT - Rotor & vane. Refer group 6.610



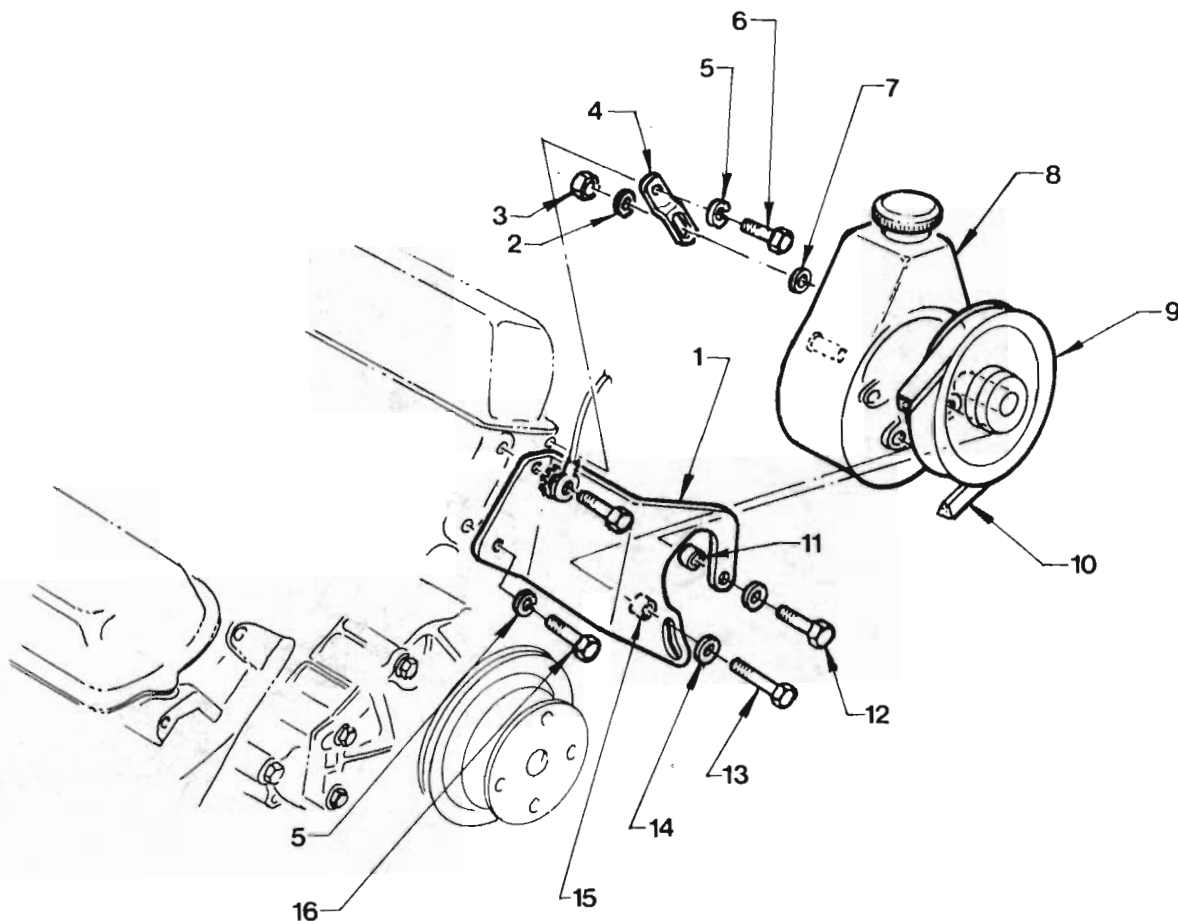
**POWER STEERING PUMP MOUNTING
6 CYLINDER ENGINE
WITH FRONT PRESSURE OUTLET
VL SERIES**

REF. NO.	PART NAME	GROUP
1	BRACKET ASM. - Pump mounting	6.606
2	HOSE & PIPE ASM. - Pump to gear.....	6.670
3	BOLT - Pump to bracket.....	6.606
4	WASHER - Pump adjusting.....	6.606
5	BOLT - Bracket to engine.....	6.606
6	PUMP ASM. - Power steering.....	6.605
7	HOSE ASM. - Reservoir to pump	6.671
8	CLAMP - Power steering hose	6.672
9	PULLEY - Power steering pump.....	6.655
10	BELT - Power steering pump.....	1.066



**POWER STEERING PUMP MOUNTING
6 CYLINDER ENGINE
WITH REAR PRESSURE OUTLET
VL SERIES**

REF. NO.	PART NAME	GROUP
1	BRACKET ASM. - Pump mounting	6.606
2	Bolt - Pump to bracket	6.606
3	BOLT - Bracket to engine	6.606
4	HOSE & PIPE ASM. - Pump to gear	6.671
5	PUMP ASM. - Power steering	6.605
6	CLAMP - Power steering hose	6.672
7	HOSE ASM. - Reservoir to pump	6.671
8	PULLEY - Power steering pump	6.655
9	BELT - Power steering	1.066

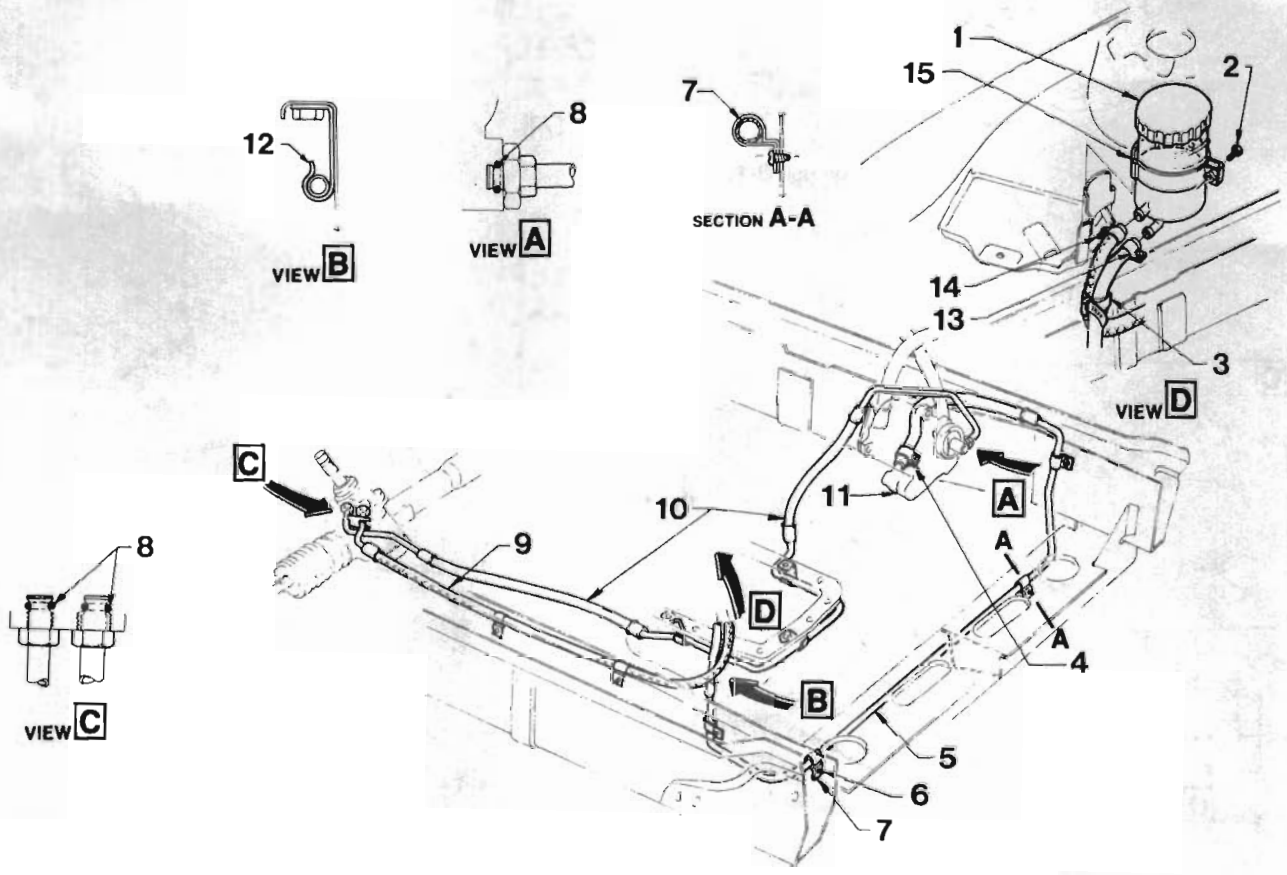


**POWER STEERING PUMP MOUNTING
8 CYLINDER ENGINE
VL SERIES**

REF. NO.	PART NAME	GROUP
1	BRACKET - Front mounting to cylinder head.....	6.606
2	WASHER - Rear mounting to pump.....	6.606
3	NUT - Rear mounting bracket to pump.....	6.606
4	BRACKET - Rear mounting to cylinder head.....	6.606
5	WASHER - Mounting bracket to cylinder head....	6.606
6	BOLT - Mounting bracket to cylinder head.....	6.606
7	SHIM - Rear mounting bracket to pump.....	6.606
8	PUMP ASM. - Power steering.....	6.605
9	PULLEY - Power steering pump.....	6.655
10	BELT - Power steering pump.....	1.066
11	SPACER - Front mounting bracket to pump - Short.....	6.606
12	BOLT - Front mounting bracket to pump - pivot.	6.606
13	BOLT - Front mounting bracket to pump - Adjusting.....	6.606
14	WASHER - Front mounting bracket to pump.....	6.606
15	SPACER - Front mounting bracket to pump - Long.....	6.606
16	BOLT - Mounting bracket to cylinder head.....	6.606

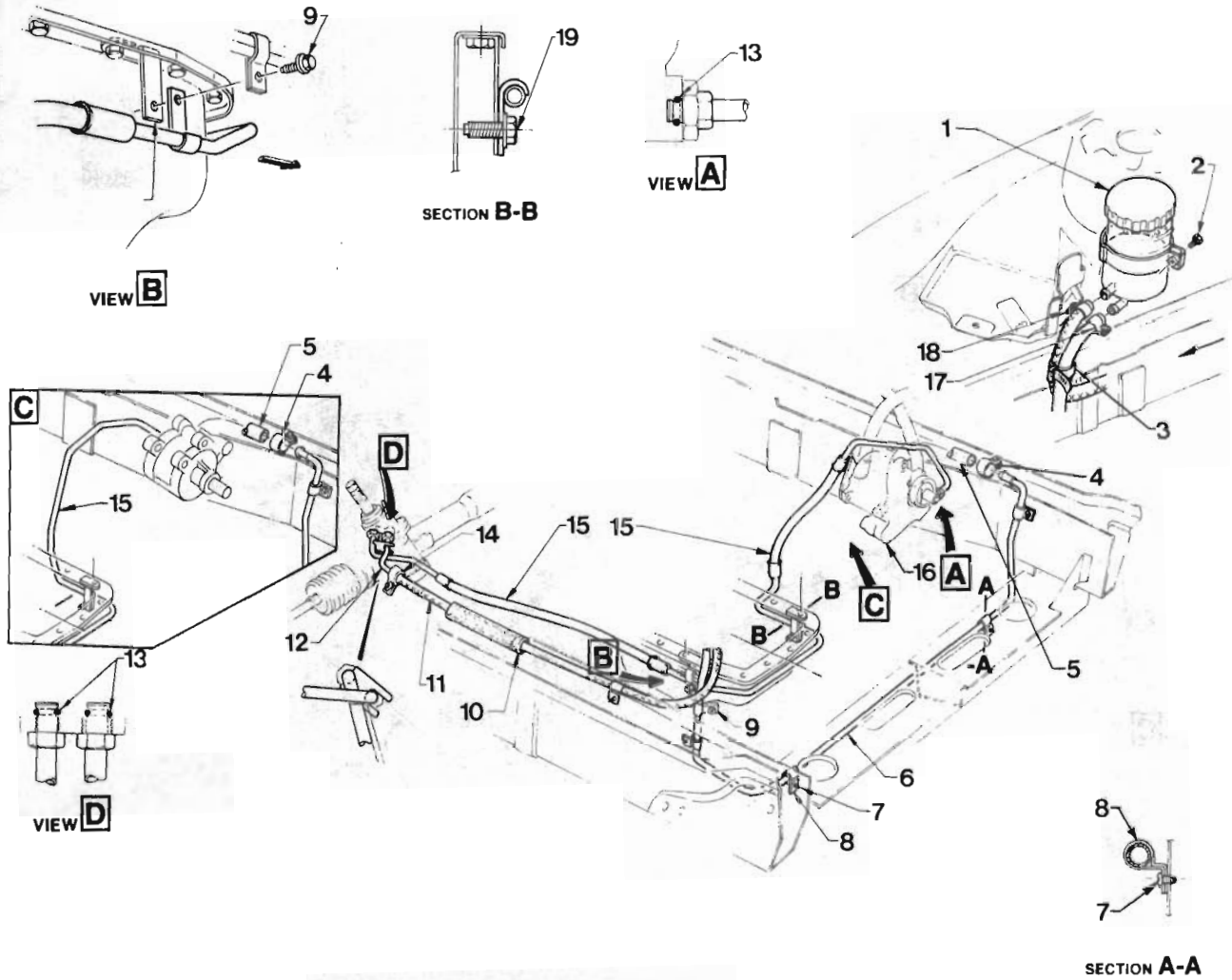


"V" SERIES PARTS CATALOGUE



POWER STEERING RESERVOIR & HOSES
6 CYLINDER ENGINE
EARLY PRODUCTION
VL SERIES

REF. NO.	PART NAME	GROUP
1	RESERVOIR ASM.	6.635
2	SCREW - Reservoir mounting	6.635
3	STRAP - Hose retaining	6.672
4	CLAMP - .97" dia.	6.672
5	PIPE ASM. - Return	6.671
6	SCREW - Pipe to body	6.672
7	CLIP - Pipe to body	6.672
8	'O' RiNG - Hose to pump & gear	6.674
9	HOSE ASM. - Gear to return pipe	6.671
10	HOSE ASM. - Pump to gear	6.670
11	PUMP ASM. - Power steering	6.605
12	CLIP - Hose	6.670
13	CLAMP - Power steering hose	6.672
14	CLAMP - .68" dia.	6.672
15	BRACKET ASM. - Reservoir mounting	6.635

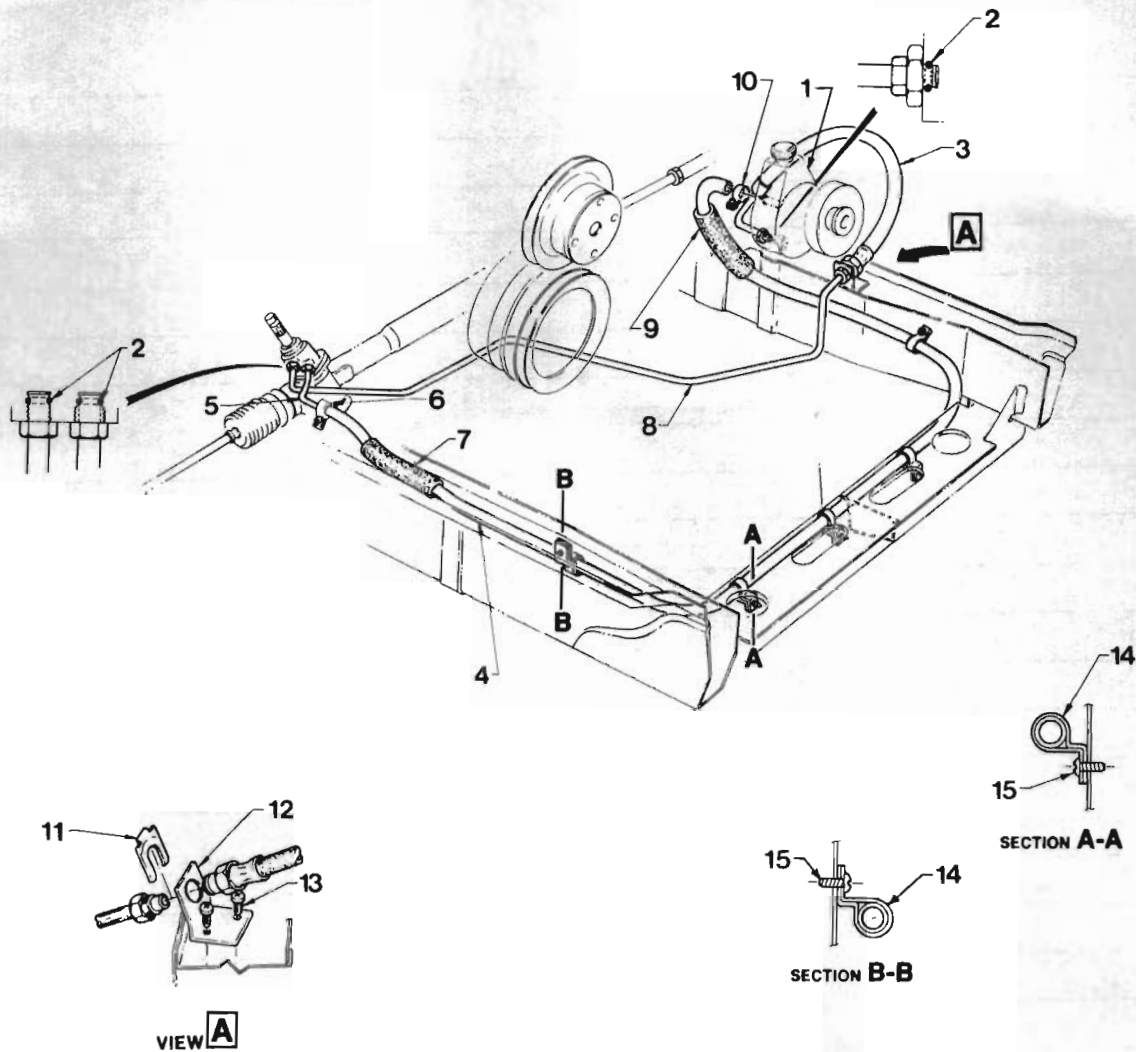


POWER STEERING RESERVOIR & HOSES
6 CYLINDER ENGINE
LATE PRODUCTION
VL SERIES

REF. NO.	PART NAME	GROUP
1	RESERVOIR ASM.	6.635
2	SCREW - Reservoir mounting	6.635
3	STRAP - Hose retaining	6.672
4	CLAMP - Pump to return hose.....	6.672
5	HOSE - Reservoir return pipe to pump.....	6.671
6	PIPE ASM. - Return	6.671
7	SCREW - Hose & pipe to body.....	6.672
8	CLIP - Hose & pipe to body	6.672
9	CLAMP - Pipe to hose.....	6.671
10	INSULATOR - Hose	6.671
11	HOSE - Pipe to reservoir (Clamp connection)	6.671
12	PIPE ASM. - Return to reservoir hose (Clamp connection)	6.671
13	'O' RING - Hose to pump & gear.....	6.674
14	CLAMP - .68" dia.	6.672
15	HOSE & PIPE ASM. - Pump to gear.....	6.670
16	PUMP ASM. - Power steering.....	6.605
17	CLAMP - Pump to return hose.....	6.672
18	CLAMP - .68" dia.	6.672
19	SCREW - Hose & pipe asm. to bracket	6.672



"V" SERIES PARTS CATALOGUE



POWER STEERING RESERVOIR & HOSES 8 CYLINDER ENGINE VL SERIES

REF. NO.	PART NAME	GROUP
1	PUMP ASM. - Power steering.....	6.605
2	'O' RING - Hose to pump & gear.....	6.670
3	HOSE ASM. - Pump to gear.....	6.670
4	HOSE - Return (Clamp connection)	6.671
5	PIPE ASM. - Return - Gear to reservoir hose (Clamp connection).....	6.671
6	CLAMP - Pipe to hose.....	6.671
7	INSULATOR - Hose	6.671
8	PTPE ASM. - Pump to gear.....	6.670
9	INSULATOR - Return hose protection	6.672
10	CLAMP - .68" dia.....	6.672
11	CLIP - HOSE to bracket.....	6.670
12	BRACKET - Pressure hose attaching.....	6.670
13	SCREW - Bracket attaching.....	6.670
14	CLIP - Hose & pipe to body	6.672
15	SCREW - Hose & pipe to body.....	6.672



GROUP

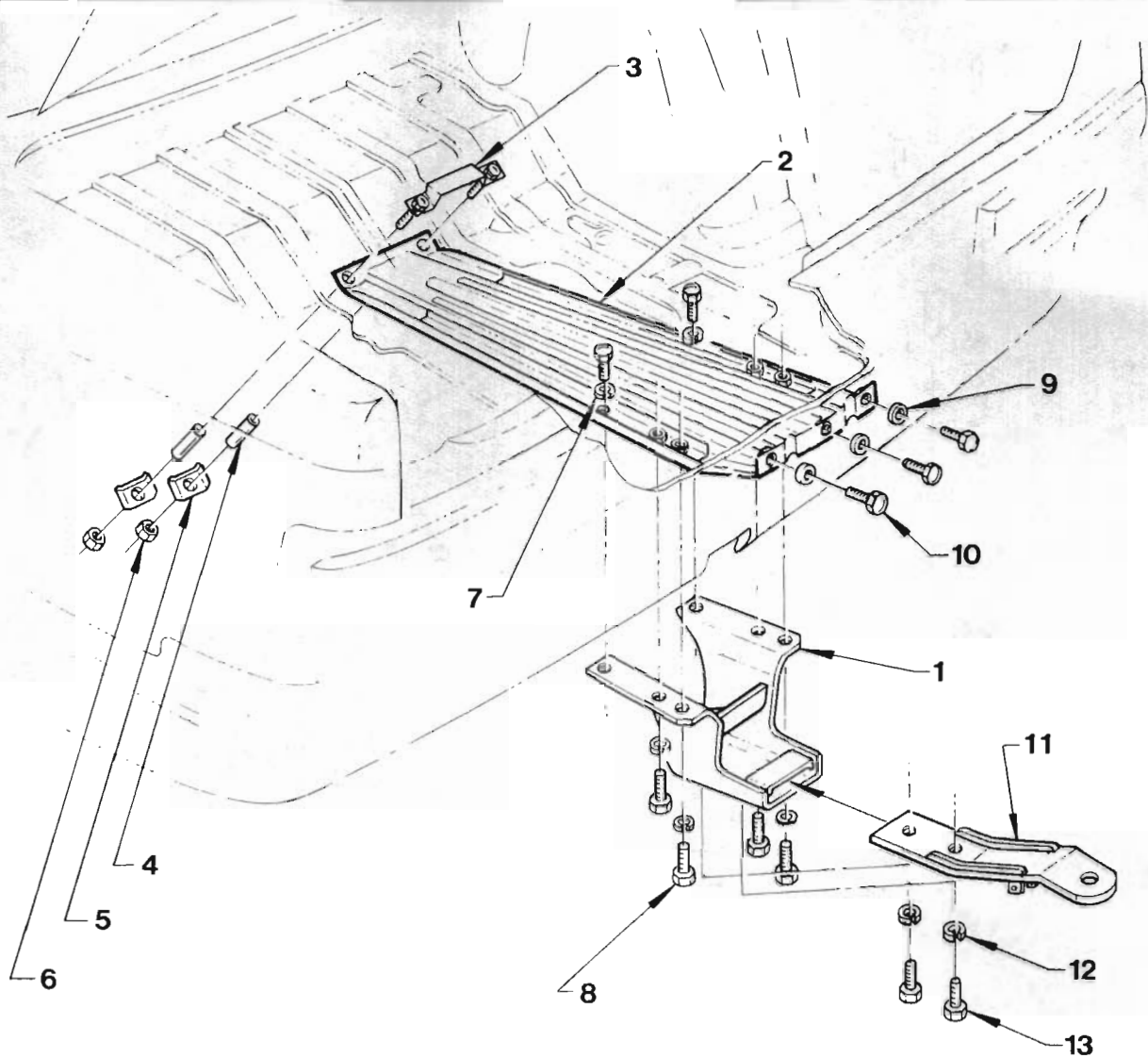
7.000

FRAME

SPRINGS

SHOCK ABSORBERS

BUMPER BARS

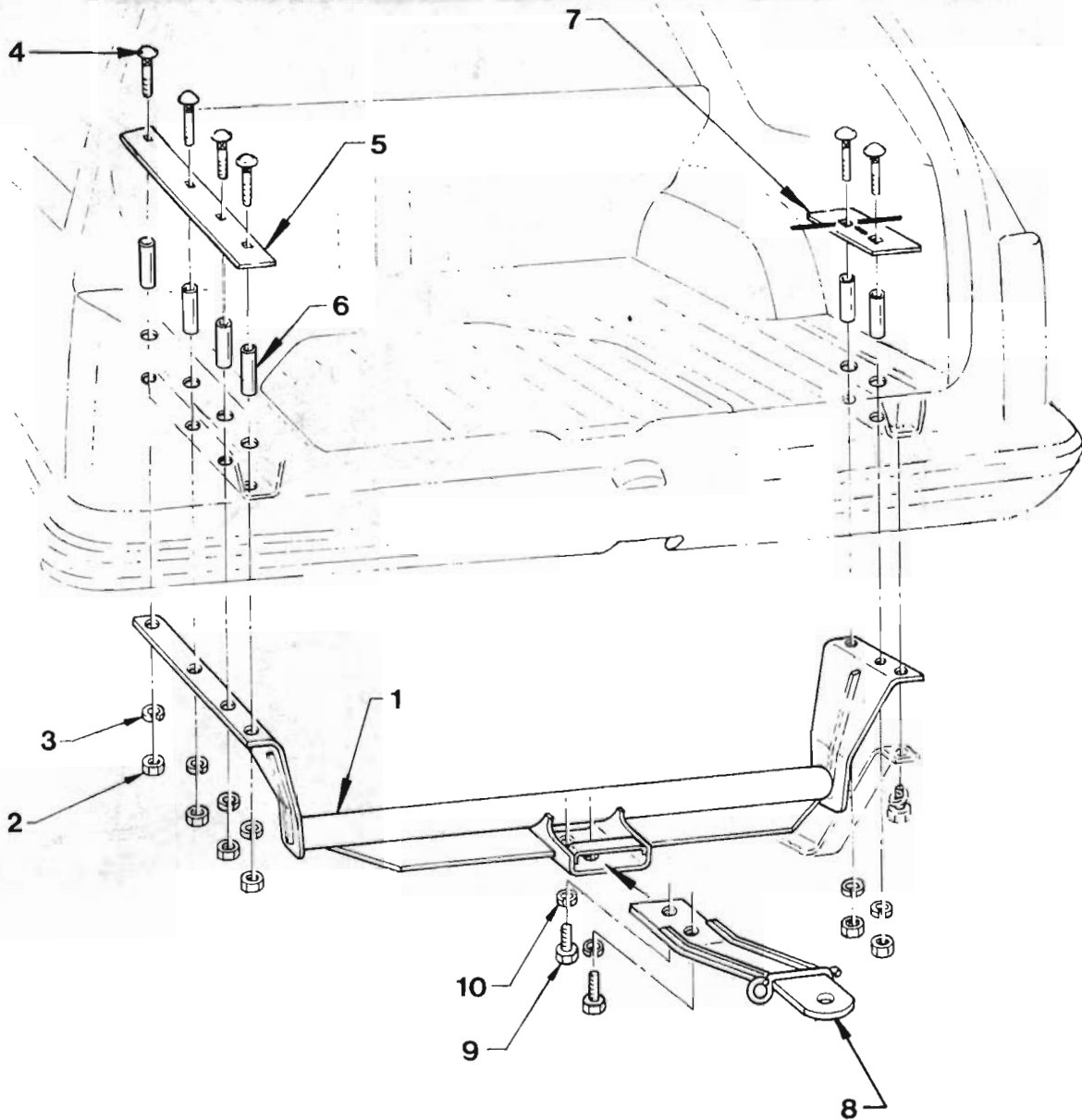


**TOW BAR
SEDAN
VL SERIES**

REF. NO.	PART NAME	GROUP
1-10	TOW BAR PACKAGE	7.068
1(A)	TOW BAR - Lower	NSS
2(A)	TOW BAR - Upper	NSS
3(A)	BRACKET ASM. - Tow bar mounting.....	NSS
4(A)	SPACER - Tow bar mounting front.....	NSS
5(A)	WASHER - Tow bar mounting front.....	NSS
6(A)	NUT - Tow bar mounting front.....	NSS
7(A)	WASHER - Tow bar mounting rear	NSS
8(A)	BOLT - Tow bar mounting rear	NSS
9(A)	SPACER - Tow bar to rear panel mounting.....	NSS
10(A)	BOLT - Tow bar to rear panel mounting.....	NSS
11-13	TONGUE PACKAGE - Tow bar.....	7.068
11(B)	TONGUE - Tow bar.....	NSS
12(B)	WASHER - Lock, Tow bar tongue mounting.....	NSS
13(B)	BOLT - Tow bar tongue mounting.....	NSS

NOTE:- (All parts marked 'A' included in Tow Bar Package)

(All parts marked 'B' included in Tongue Package - Tow Bar)

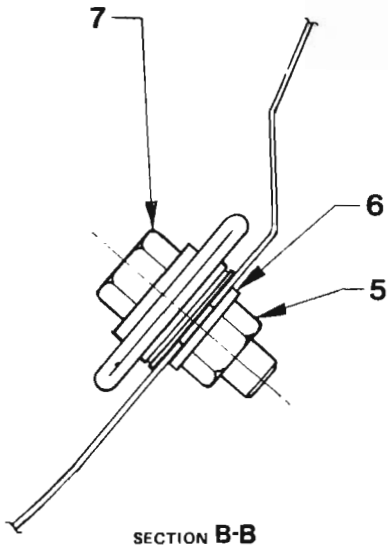
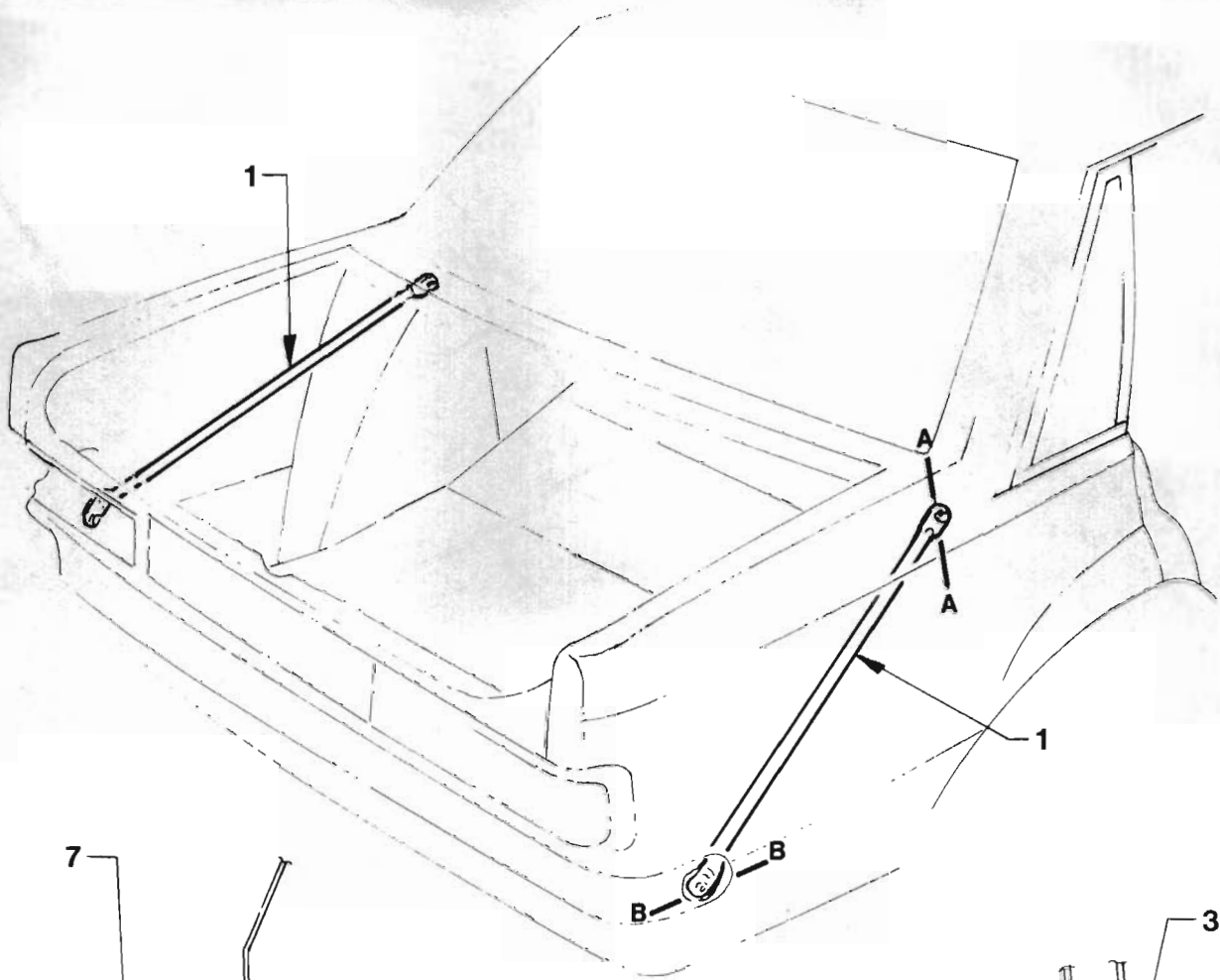


**TOW BAR
WAGON
VL SERIES**

REF. NO.	PART NAME	GROUP
1-7	TOW BAR PACKAGE	7.068
1(A)	TOW BAR	NSS
2(A)	NUT - Tow bar to frame mounting	NSS
3(A)	WASHER - Lock, Tow bar to frame mounting....	NSS
4(A)	BOLT - Tow bar to frame mounting	NSS
5(A)	PLATE - Tow bar mounting, Upper left.....	NSS
6(A)	SPACER - Tow bar to frame mounting.....	NSS
7(A)	PLATE - Tow bar mounting, Upper right	NSS
8-10	TONGUE PACKAGE	7.068
8(B)	TONGUE - Tow bar.....	NSS
9(B)	BOLT - Tongue to tow bar mounting	NSS
10(B)	WASHER - Lock, Tongue to tow bar mounting...	NSS

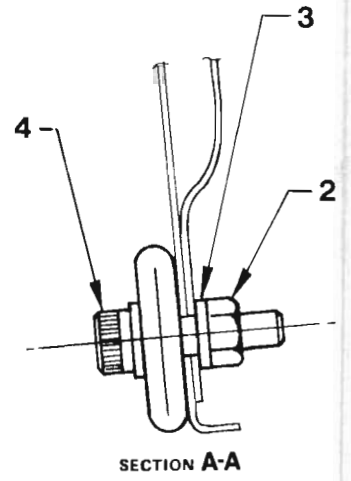
NOTE:- (All parts marked 'A' included in Tow Bar package)

(All parts marked 'B' included in Tongue Package - Tow Bar)



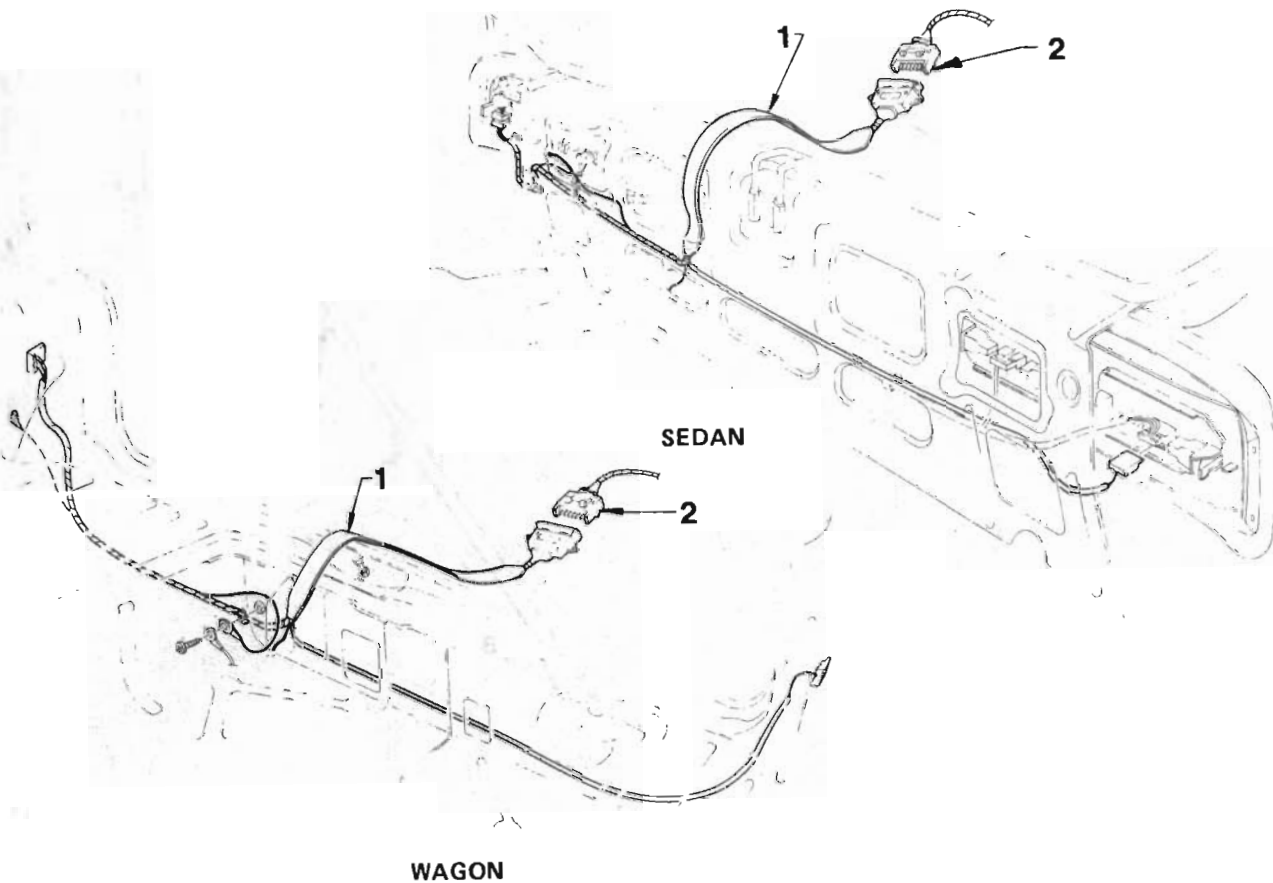
SECTION B-B

**REAR QUARTER BRACE
SEDAN
VL SERIES**



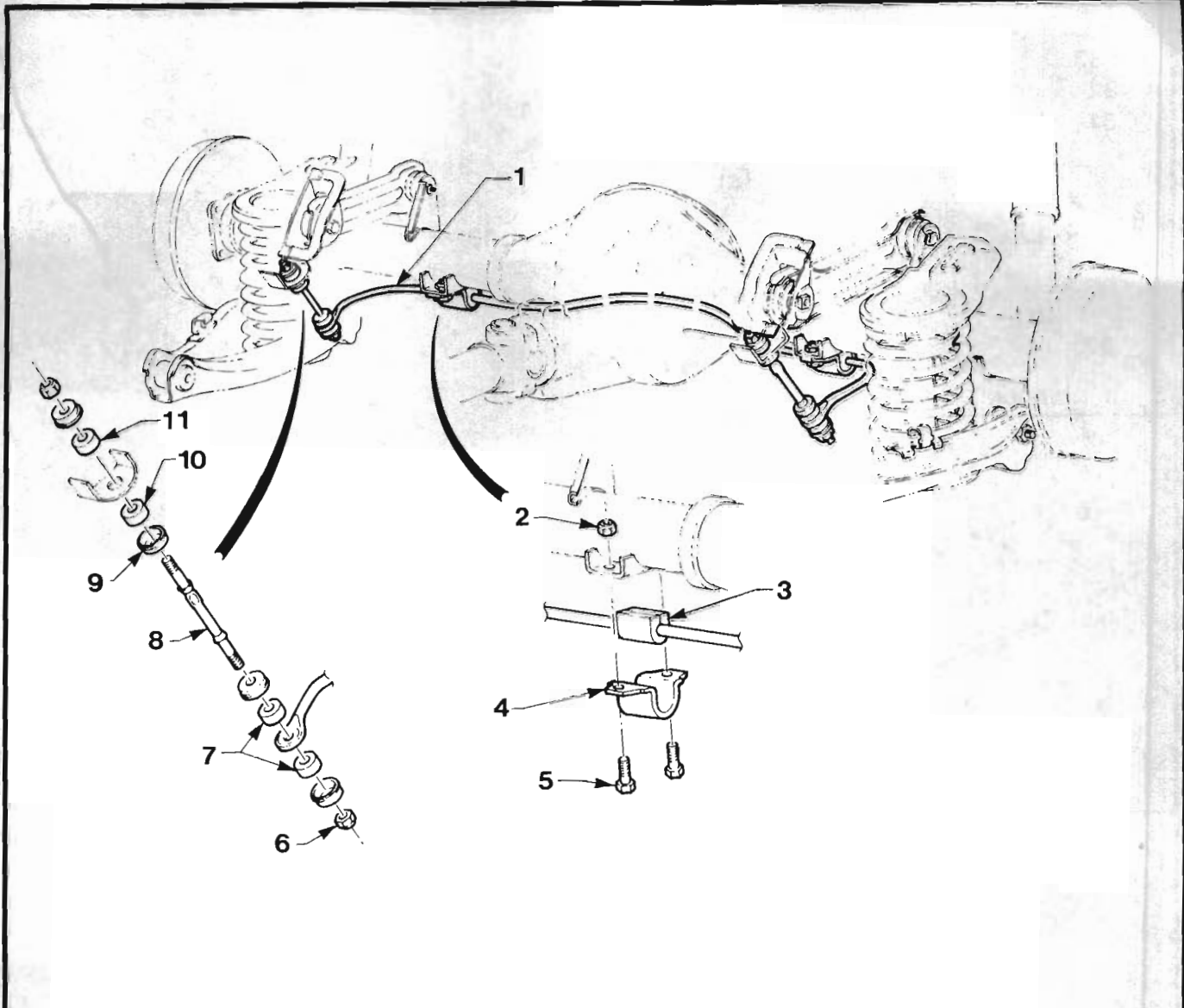
SECTION A-A

REF. NO.	PART NAME	GROUP
1-7	BRACE PACKAGE - Rear quarter	7.068
1	BRACE - Rear quarter, Towing	NSS
2	NUT - Rear quarter brace to body side, Upper...	7.068
3	WASHER - Rear quarter brace to body side, Upper	7.068
4	SCREW - Rear quarter brace to body side, Upper	NSS
5	NUT - Rear quarter brace to body side, Lower...	7.068
6	WASHER - Rear quarter brace to body side, Lower	7.068
7	SCREW - Rear quarter brace to body side, Lower	7.068



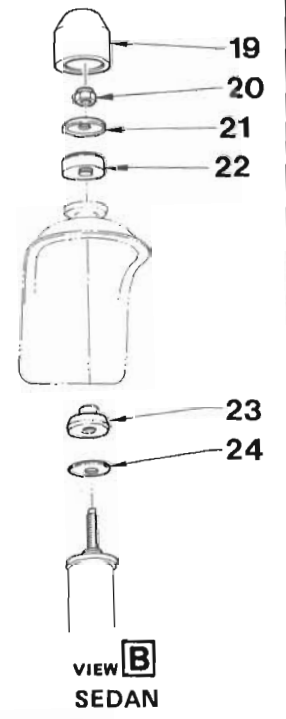
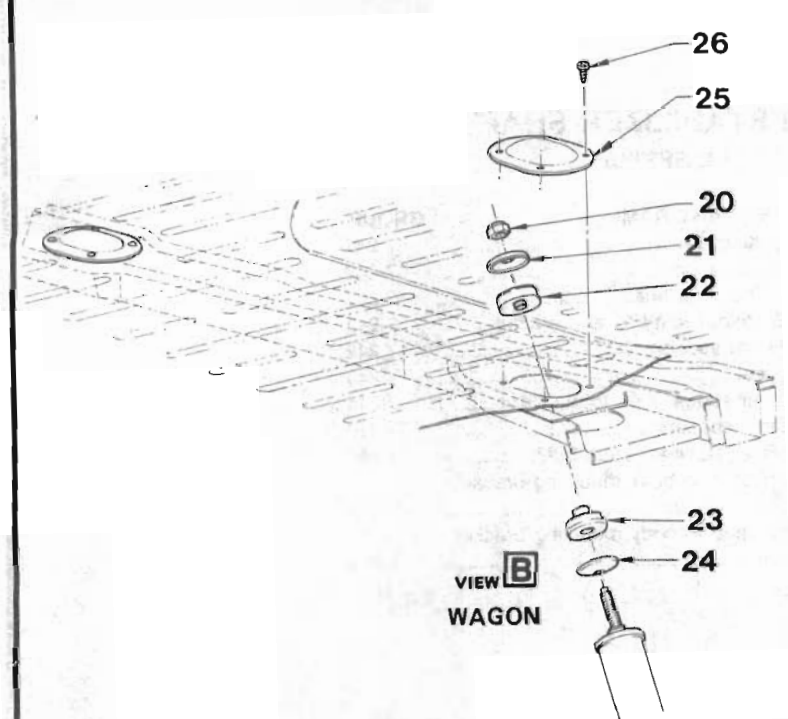
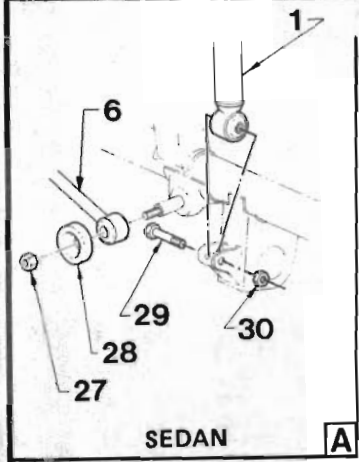
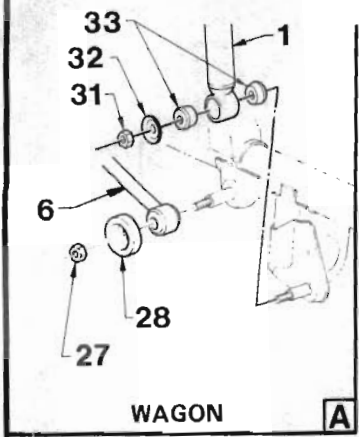
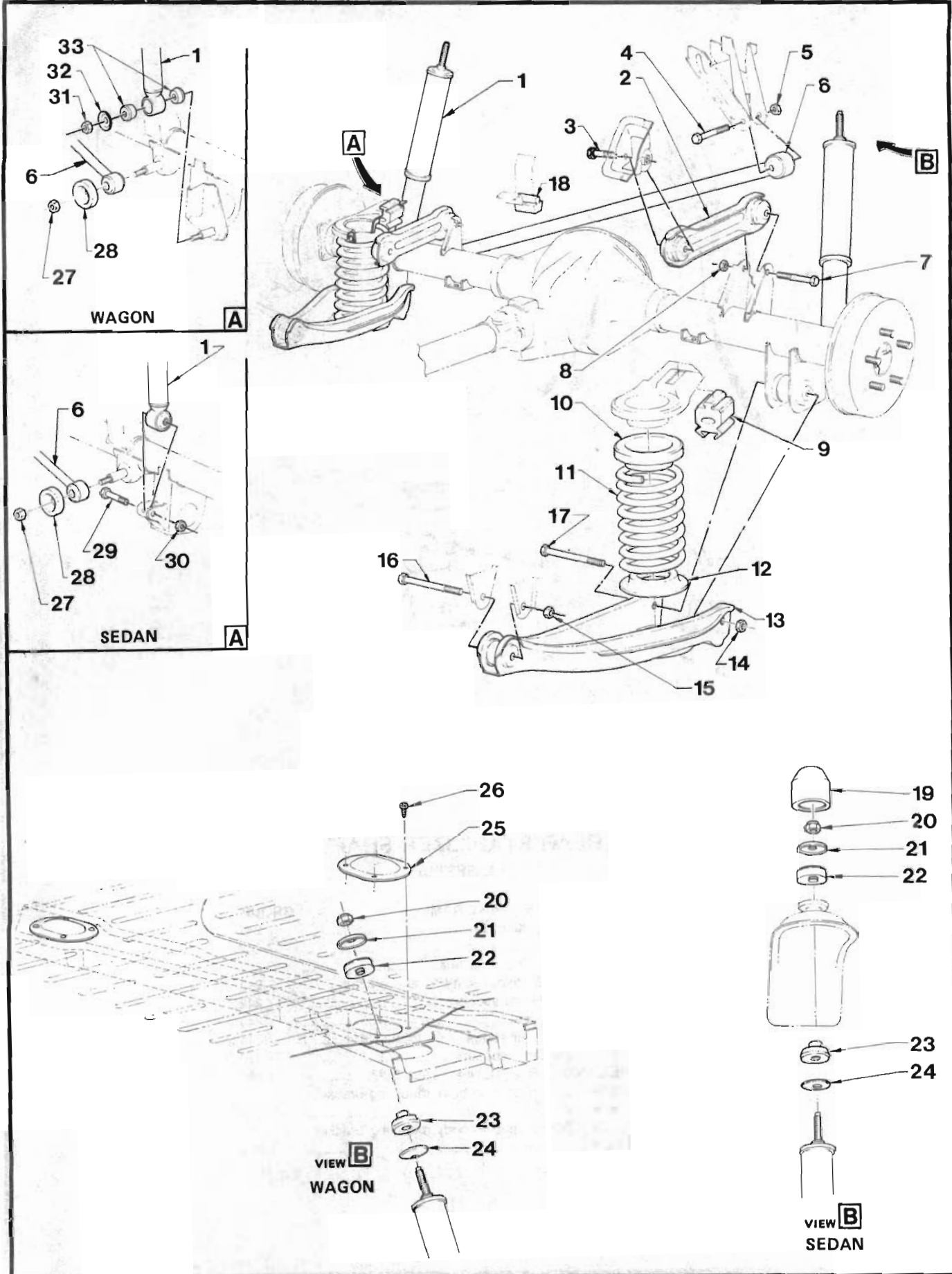
**TRAILER WIRING HARNESS
VL SERIES**

REF. NO.	PART NAME	GROUP
1-2	HARNESS PACKAGE - Trailer wiring.....	7.068
1	HARNESS ASM. - Vehicle section.....	7.068
2	PLUG - Trailer.....	7.068



**REAR STABILIZER SHAFT
VL SERIES**

REF. NO.	PART NAME	GROUP
1	SHAFT - Rear stabilizer.....	7.241
2	NUT - Bracket to support.....	7.242
3	INSULATOR - Stabilizer shaft.....	7.243
4	BRACKET - Stabilizer shaft to axle bracket.....	7.242
5	BOLT - Bracket to support.....	7.242
6	NUT - Spacer stud	7.240
7	BUSH - Stabilizer spacer stud to stabilizer	7.244
8	STUD - Stabilizer spacer	7.240
9	RETAINER - Rear stabilizer shaft bush.....	7.245
10	BUSH - Spacer stud to body mounting bracket, Lower	7.244
11	BUSH - Spacer stud to body mounting bracket, Upper	7.244

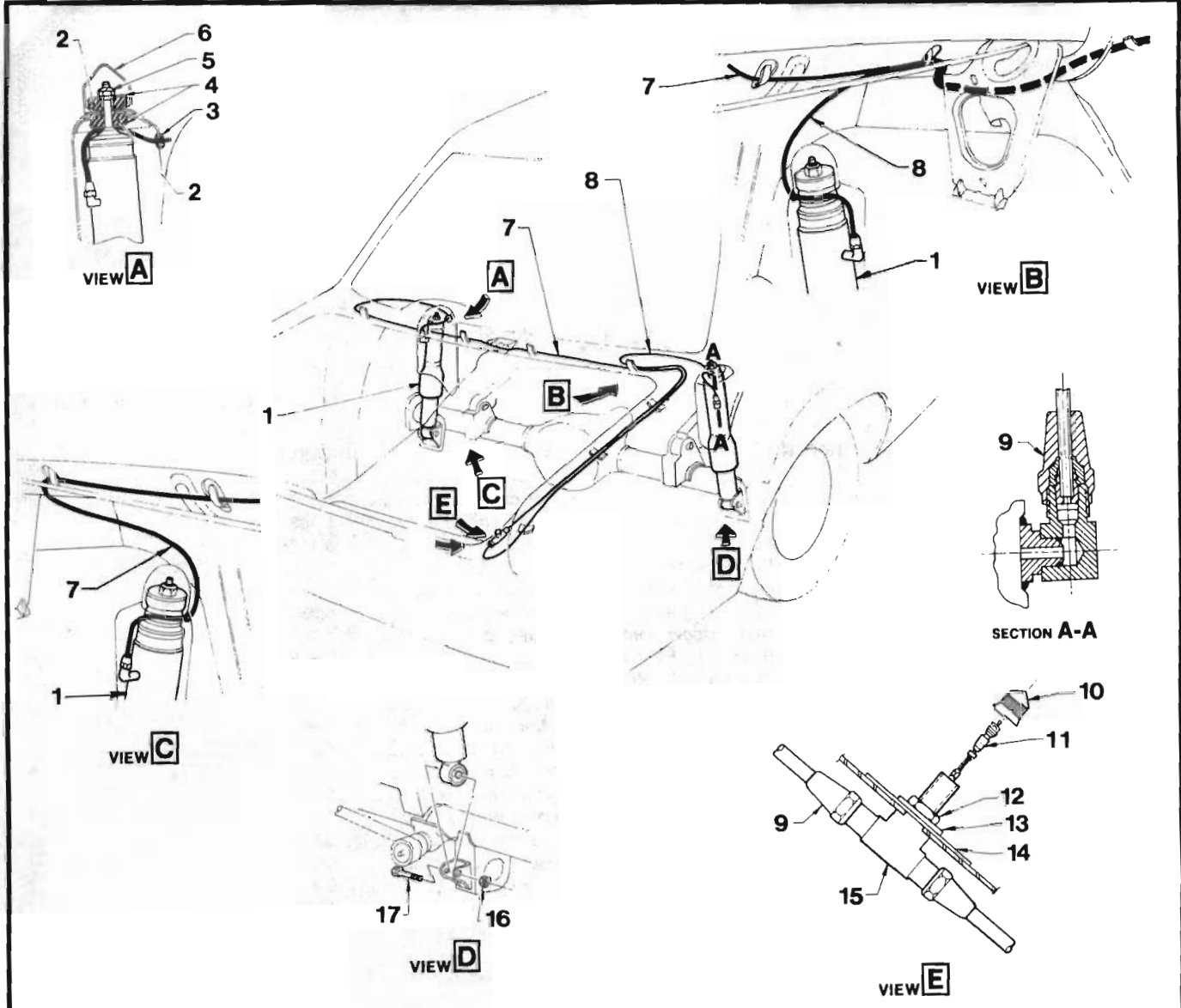




**REAR SUSPENSION
VL SERIES**

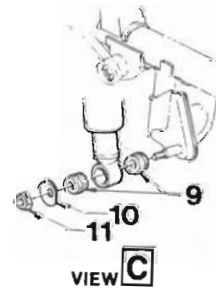
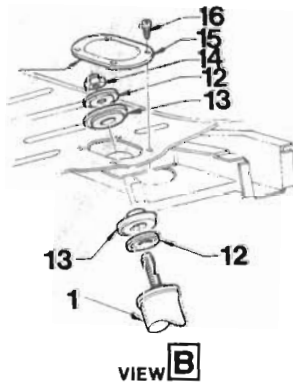
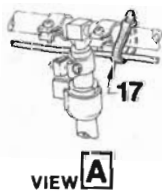
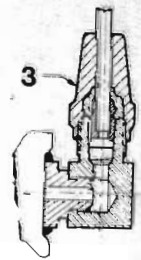
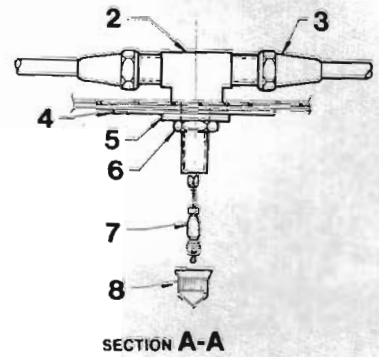
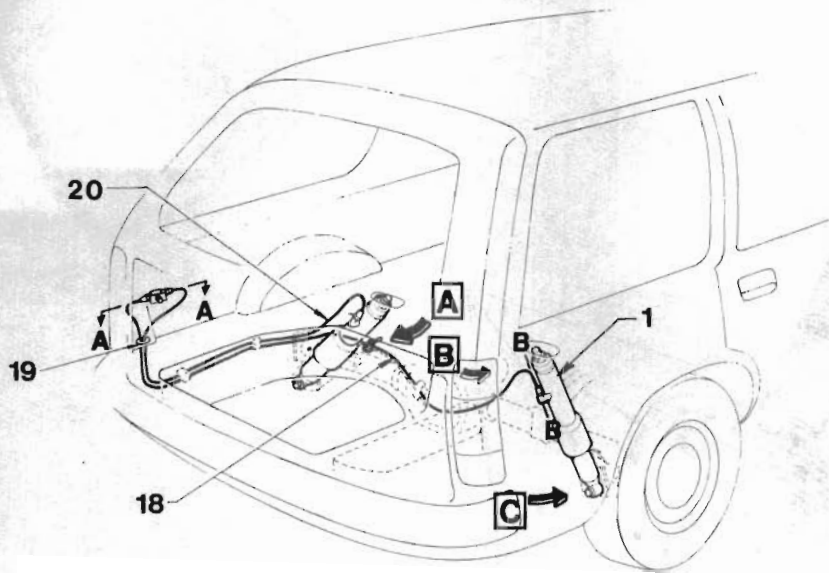
ILLUSTRATION OPPOSITE

REF. NO.	PART NAME	GROUP
1	SHOCK ABSORBER KIT.....	7.345
2	ARM ASM. - Rear axle upper control.....	5.382
3	BOLT - Rear axle upper control arm to body.....	5.383
4	BOLT - Panhard rod to frame.....	5.418
5	NUT - Panhard rod to frame.....	5.418
6	ROD ASM. - Panhard (Complete).....	7.014
7	BOLT - Upper control arm to rear axle.....	5.383
8	NUT - Upper control arm to rear axle.....	5.383
9	BUMPER - Rear axle.....	7.535
10	INSULATOR - Rear spring upper.....	7.545
11	SPRING - Rear suspension.....	7.503
12	INSULATOR - Rear spring lower.....	7.545
13	ARM ASM. - Rear axle lower control.....	5.382
14	NUT - Lower control arm to rear axle.....	5.383
15	NUT - Rear axle lower control arm to body.....	5.383
16	BOLT - Rear axle lower control arm to body.....	5.383
17	BOLT - Lower control arm to rear axle.....	5.383
18	BUMPER ASM. - Pinion nose.....	5.395
19	CAP - Rear shock absorber end, Plastic	7.371
20	NUT - Rear shock absorber to underbody	7.389
21	PLATE - Rear shock absorber to underbody , Upper.....	7.389
22	BUSH - Rear shock absorber to underbody, Upper.....	7.388
23	BUSH - Rear shock absorber to underbody, Lower.....	7.388
24	PLATE - Rear shock absorber to underbody, Lower.....	7.389
25	COVER ASM. - Rear shock absorber.....	7.371
26	SCREW - Rear shock absorber cover.....	7.371
27	NUT - Panhard rod to rear axle.....	5.418
28	WASHER - Panhard rod to rear axle.....	5.418
29	BOLT - Rear shock absorber to rear axle.....	7.347
30	NUT - Rear shock absorber to rear axle.....	7.347
31	NUT - Rear shock absorber to rear axle.....	7.347
32	WASHER - Rear shock absorber to rear axle.....	7.347
33	BUSH - Shock absorber mounting to rear axle...	7.388



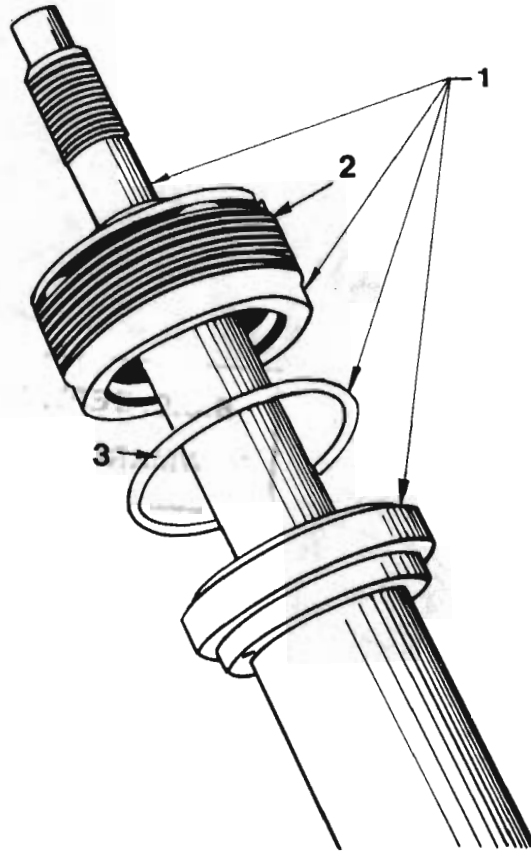
**SUPERLIFT SHOCK ABSORBERS
SEDAN
VL SERIES**

REF. NO.	PART NAME	GROUP
1	SHOCK ABSORBER - Rear, Superlift	7.345
2	BUSH - Rear shock absorber to underbody	7.388
3	GROMMET - Tube.....	7.346
4	PLATE - Rear shock absorber to underbody.....	7.389
5	NUT - Rear shock absorber to underbody	7.389
6	CAP - Rear shock absorber.....	7.371
7	TUBE - Inflation, LH.....	7.346
8	TUBE - Inflation, RH	7.346
9	NUT - Air tube.....	7.346
10	CAP - Valve.....	7.346
11	CORE - Valve.....	7.346
12	NUT - Tee.....	7.346
13	WASHER - Tee.....	7.346
14	PLATE - Level control.....	7.346
15	TEE - Valve	7.346
16	NUT - Rear shock absorber to rear axle.....	7.347
17	BOLT - Rear shock absorber to rear axle.....	7.347



SUPERLIFT SHOCK ABSORBERS
WAGON
VI. SERIES

REF. NO.	PART NAME	GROUP
1	SHOCK ABSORBER - Rear, Superlift.....	7.345
2	TEE - Valve.....	7.346
3	NUT - Air tube.....	7.346
4	PLATE - Level control.....	7.346
5	WASHER - Tee.....	7.346
6	NUT - Tee.....	7.346
7	CORE - Valve.....	7.346
8	CAP - Valve.....	7.346
9	BUSH - Rear shock absorber to rear axle.....	7.388
10	WASHER - Rear shock absorber to rear axle....	7.347
11	NUT - Rear shock absorber to rear axle.....	7.347
12	PLATE - Rear shock absorber to underbody.....	7.389
13	BUSH - Rear shock absorber to underbody.....	7.388
14	NUT - Rear shock absorber to underbody.....	7.389
15	COVER ASM.....	7.371
16	SCREW - Cover.....	7.371
17	STRAP - Tube.....	7.346
18	TUBE - Inflation, RH.....	7.346
19	GROMMET - Tube.....	7.346
20	TUBE - Inflation, LH.....	7.346

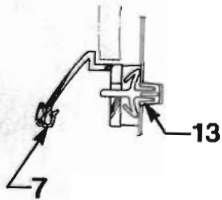
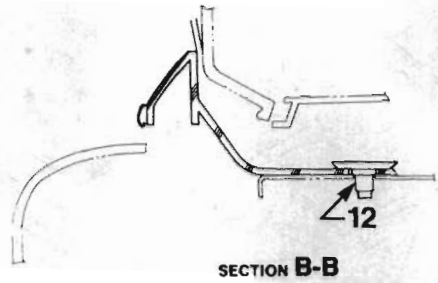
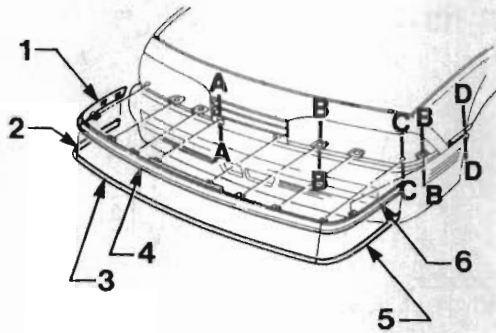


**STRUT ROD & SLEEVE
VL SERIES**

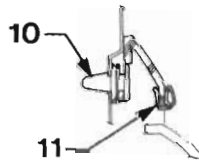
REF. NO.	PART NAME	GROUP
1	STRUT ROD & SLEEVE KIT	7.345
2	NUT - Rod & sleeve to housing, Locking.....	7.345
3	'O' RING.....	7.345



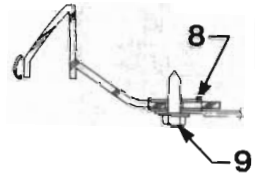
"V" SERIES PARTS CATALOGUE



SECTION A-A



SECTION D-D

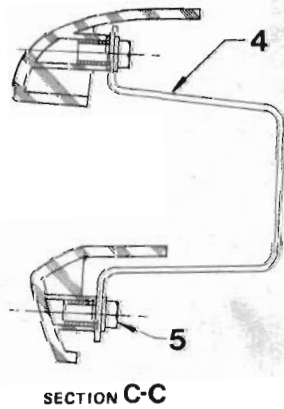
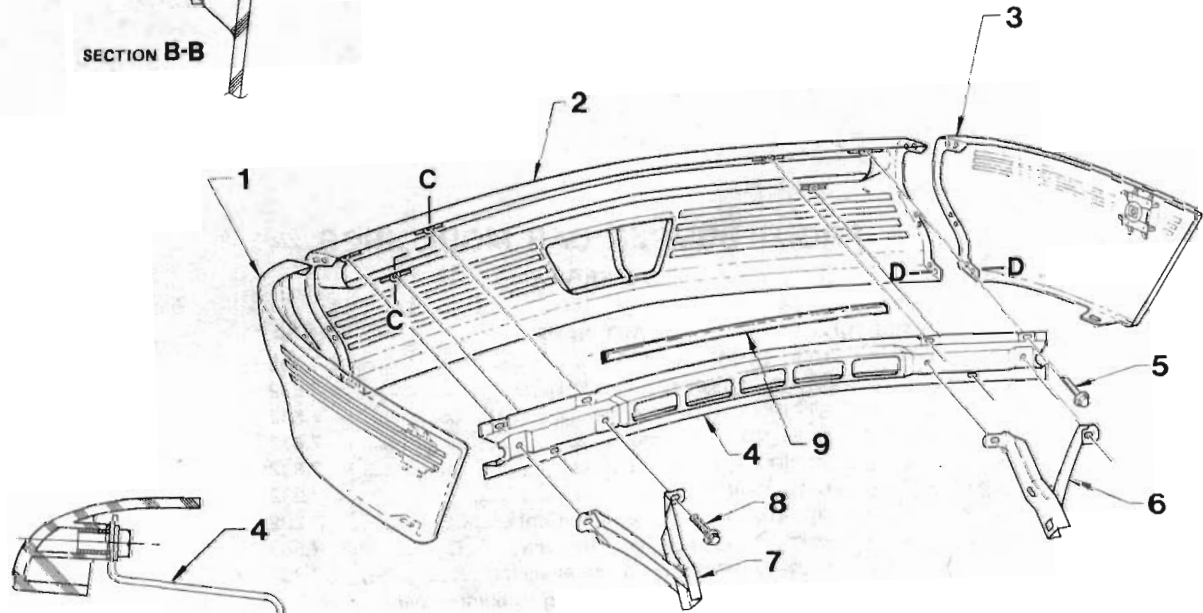
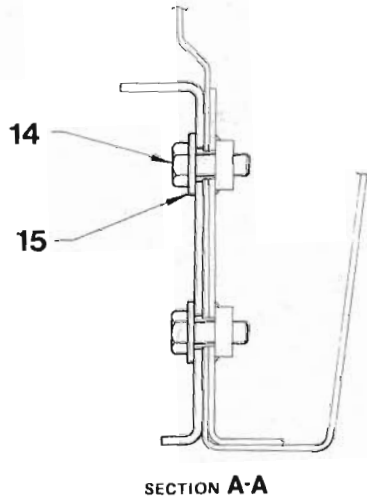
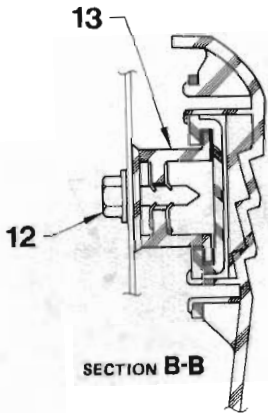
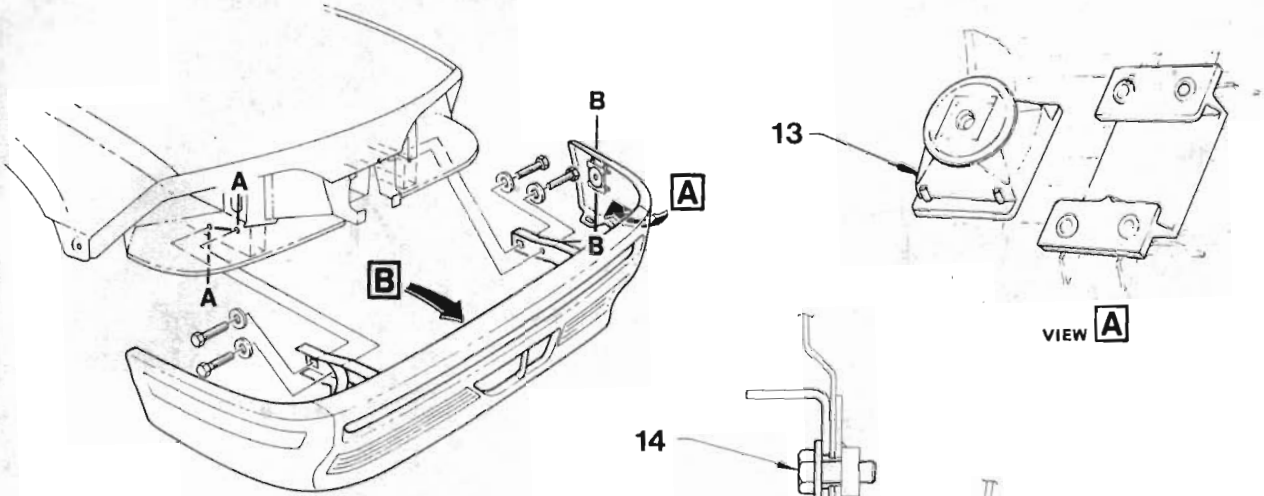


SECTION C-C

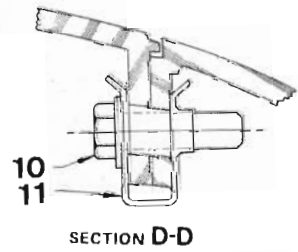
FRONT BUMPER BAR MOULDINGS

VL SERIES

REF. NO.	PART NAME	GROUP
1	MOULDING - Outer, RH	7.832
2	STRIP - Finisher, Outer, RH	7.832
3	STRIP - Finisher, Centre.....	7.832
4	MOULDING - Centre	7.832
5	STRIP - Finisher, Outer, LH.....	7.832
6	MOULDING - Outer, LH.....	7.832
7	RETAINER - Finisher strip, Centre	7.832
8	NUT - Outer moulding attaching	7.832
9	SCREW - Outer moulding attaching	7.832
10	RETAINER - Upper moulding to bumper bar facia	7.832
11	RETAINER - Finisher strip, Outer	7.832
12	RETAINER - Upper moulding to front bumper bar facia	7.832
13	CLIP - Centre moulding attaching.....	7.832



VIEW **B**

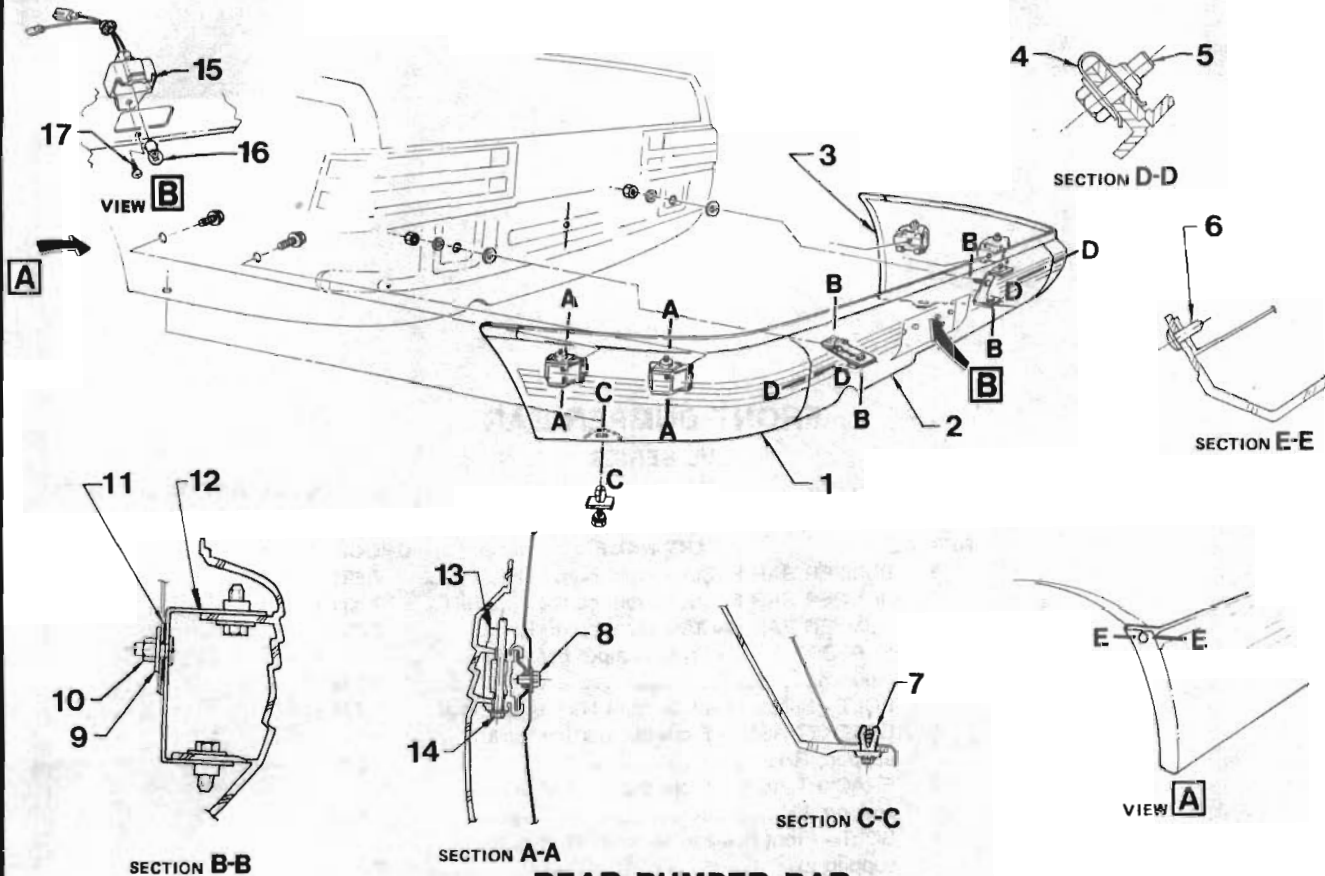




**FRONT BUMPER BAR
VL SERIES**

ILLUSTRATION OPPOSITE

REF. NO.	PART NAME	GROUP
1	BUMPER BAR FACIA - Front outer, LH.....	7.831
2	BUMPER BAR FACIA - Front centre	7.831
3	BUMPER BAR FACIA - Front outer, RH	7.831
4	SUPPORT ASM. - Front bumper bar facia mounting.....	7.836
5	BOLT - Support asm. to front bumper bar facia .	7.836
6	BRACKET ASM. - Front bumper bar facia support, RH.....	7.836
7	BRACKET ASM. - Front bumper bar facia support, LH	7.836
8	BOLT - Front bumper bar bracket asm. to support asm.....	7.836
9	BEADING - Front bumper facia anti-rattle	7.832
10	BOLT - Front outer bumper bar facia to centre bumper bar facia.....	7.874
11	NUT - Front outer bumper bar facia to centre bumper bar facia.....	7.874
12	SCREW - Front bumper bar facia to fender, Side mounting.....	7.836
13	SLIDER ASM. - Front bumper bar facia, Side mounting.....	7.836
14	BOLT - Front bumper bar facia to side frame.....	7.836
15	WASHER - Front bumper bar facia to side frame.....	7.836

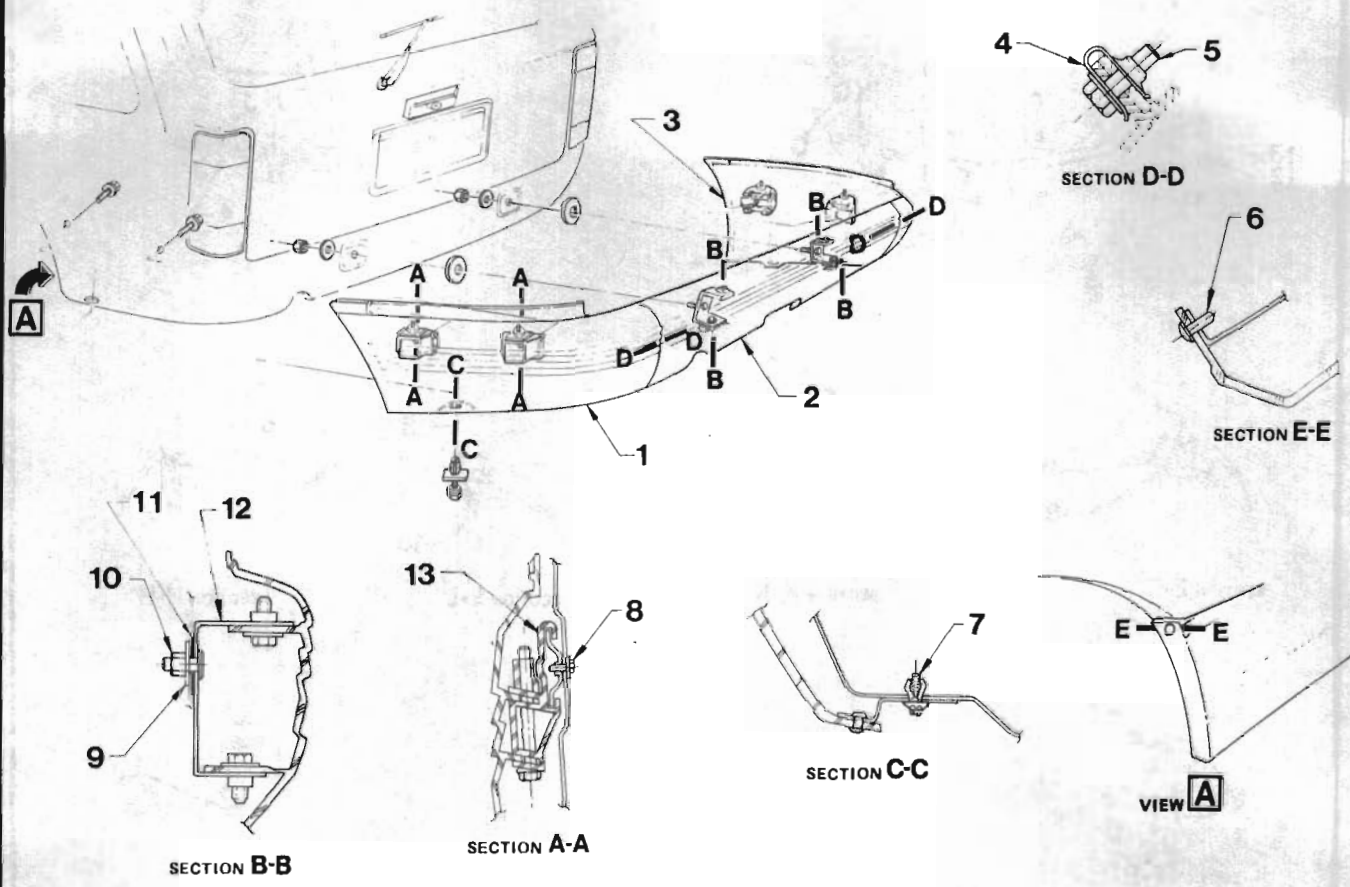


**REAR BUMPER BAR
SEDAN
VL SERIES**

REF. NO.	PART NAME	GROUP
1	BUMPER BAR FACIA - Rear, LH.....	7.831
2	BUMPER BAR FACIA - Centre.....	7.831
3	BUMPER BAR FACIA - Rear, RH.....	7.831
4	NUT - Rear outer bumper bar facia to centre bumper bar facia.....	7.874
5	BOLT - Rear outer bumper bar facia to centre bumper bar facia.....	7.874
6	SCREW - Rear bumper bar facia to quarter outer panel.....	7.836
7	FASTENER - Bumper bar facia to quarter outer.....	7.836
8	SCREW - Bumper bar facia to quarter outer panel.....	7.836
9	WASHER - Bumper bar facia bracket to rear end panel.....	7.836
10	NUT - Bumper bar facia bracket to rear end panel.....	7.836
11	WASHER - Bumper bar facia bracket to rear end panel.....	7.836
12	BRACKET - Bumper bar facia - Rear.....	7.836
13	BRACKET ASM. - Bumper bar facia - Side.....	7.836
14	SCREW - Bumper bar side facia to bracket asm.	7.836
15	SOCKET & LEAD ASM. - Rear licence plate lamp.....	2.714
16	BULB - Rear licence plate lamp.....	2.700
17	SCREW - Socket to bumper bar facia.....	2.714

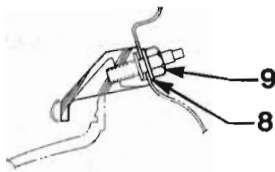
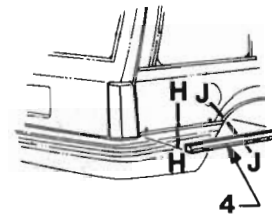
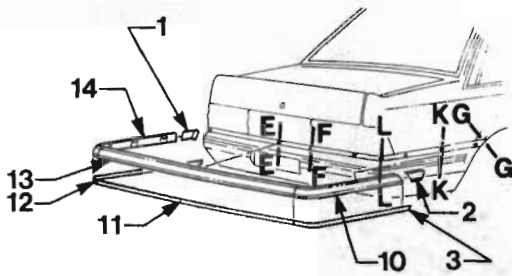


"V" SERIES PARTS CATALOGUE

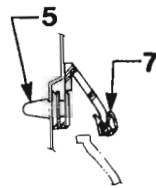


REAR BUMPER BAR WAGON VL SERIES

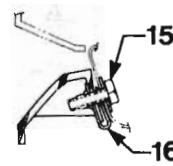
REF. NO.	PART NAME	GROUP
1	BUMPER BAR FACIA - LH.....	7.831
2	BUMPER BAR FACIA - Centre.....	7.831
3	BUMPER BAR FACIA - RH.....	7.831
4	NUT - Rear outer bumper bar facia to centre bumper bar facia.....	7.874
5	BOLT - Outer bumper bar facia to centre bumper bar facia.....	7.874
6	SCREW - Bumper bar facia to quarter outer panel.....	7.836
7	FASTENER - Bumper bar facia to quarter outer panel.....	7.836
8	SCREW - Bumper bar facia to quarter outer panel.....	7.836
9	WASHER - Bumper bar facia bracket to rear end panel.....	7.836
10	NUT - Bumper bar facia bracket to rear end panel.....	7.836
11	WASHER - Bumper bar facia bracket to rear end panel.....	7.836
12	BRACKET - Bumper bar facia, Rear.....	7.836
13	BRACKET ASM. - Rear bumper bar facia side ...	7.836



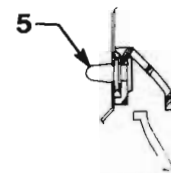
SECTION E-E



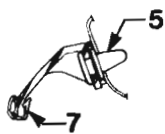
SECTION K-K



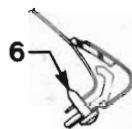
SECTION L-L



SECTION H-H



SECTION F-F



SECTION G-G



SECTION J-J

**REAR BUMPER BAR MOULDINGS
VL SERIES**

REF. NO.	PART NAME	GROUP
1	CAP - End, LH	7.832
2	CAP - End, RH.....	7.832
3	STRIP - Finisher, Outer, RH	7.832
4	MOULDING - Extension.....	7.832
5	RETAINER - Upper moulding to bumper bar facia	7.832
6	SCREW - Upper moulding to bumper bar facia ..	7.832
7	RETAINER - Finisher strip.....	7.832
8	WASHER - Upper moulding attaching.....	7.832
9	NUT - Upper moulding attaching, Hex.....	7.832
10	MOULDING - Extension, RH.....	7.832
11	STRIP - Finisher, Centre.....	7.832
12	STRIP - Finisher, Outer, LH.....	7.832
13	MOULDING - Centre	7.832
14	MOULDING - Extension, LH.....	7.832
15	SCREW - Upper moulding attaching	7.832
16	NUT - Upper moulding attaching.....	7.832



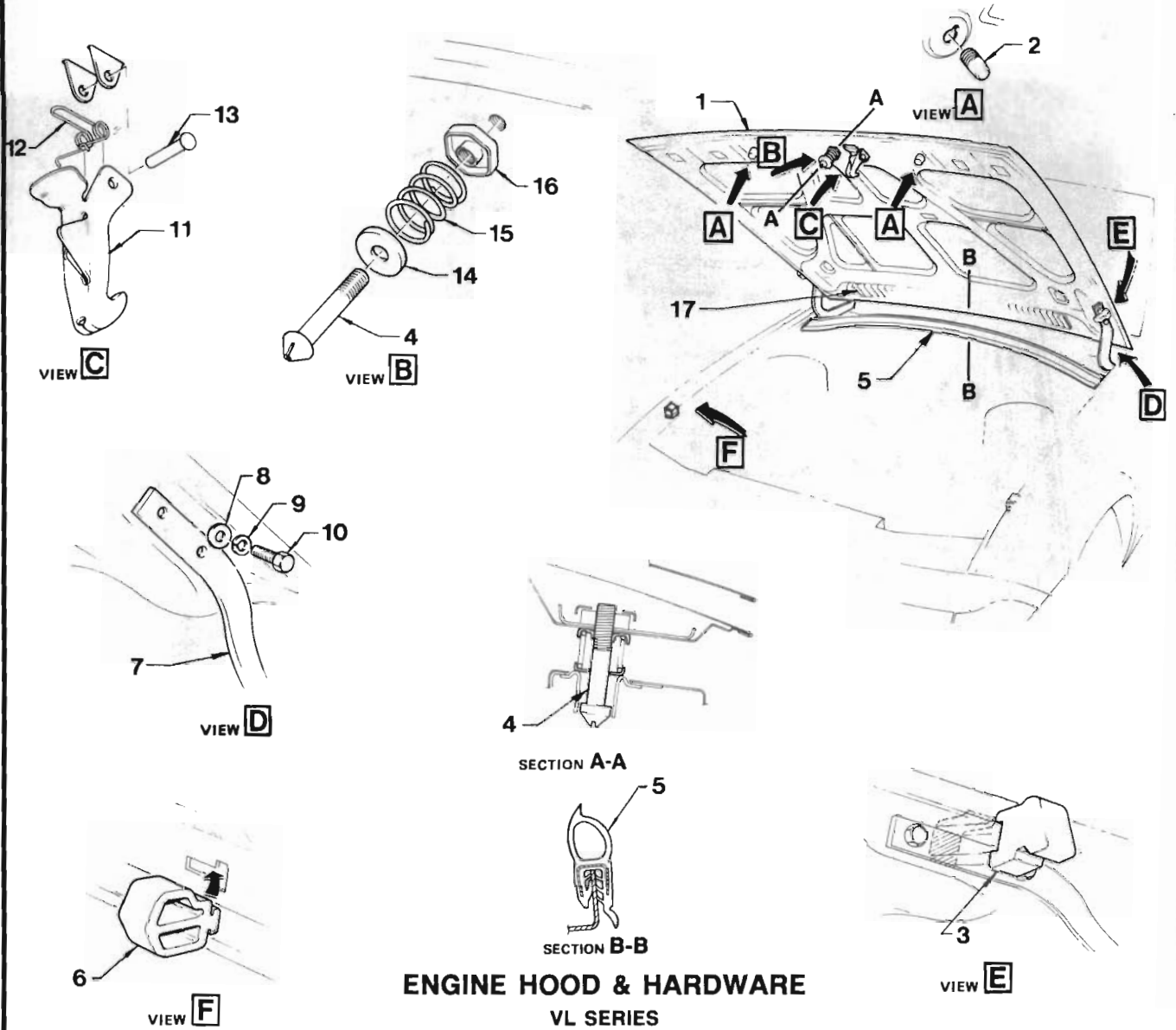
GROUP

8.000

**FRONT END SHEET
METAL
HEATER**

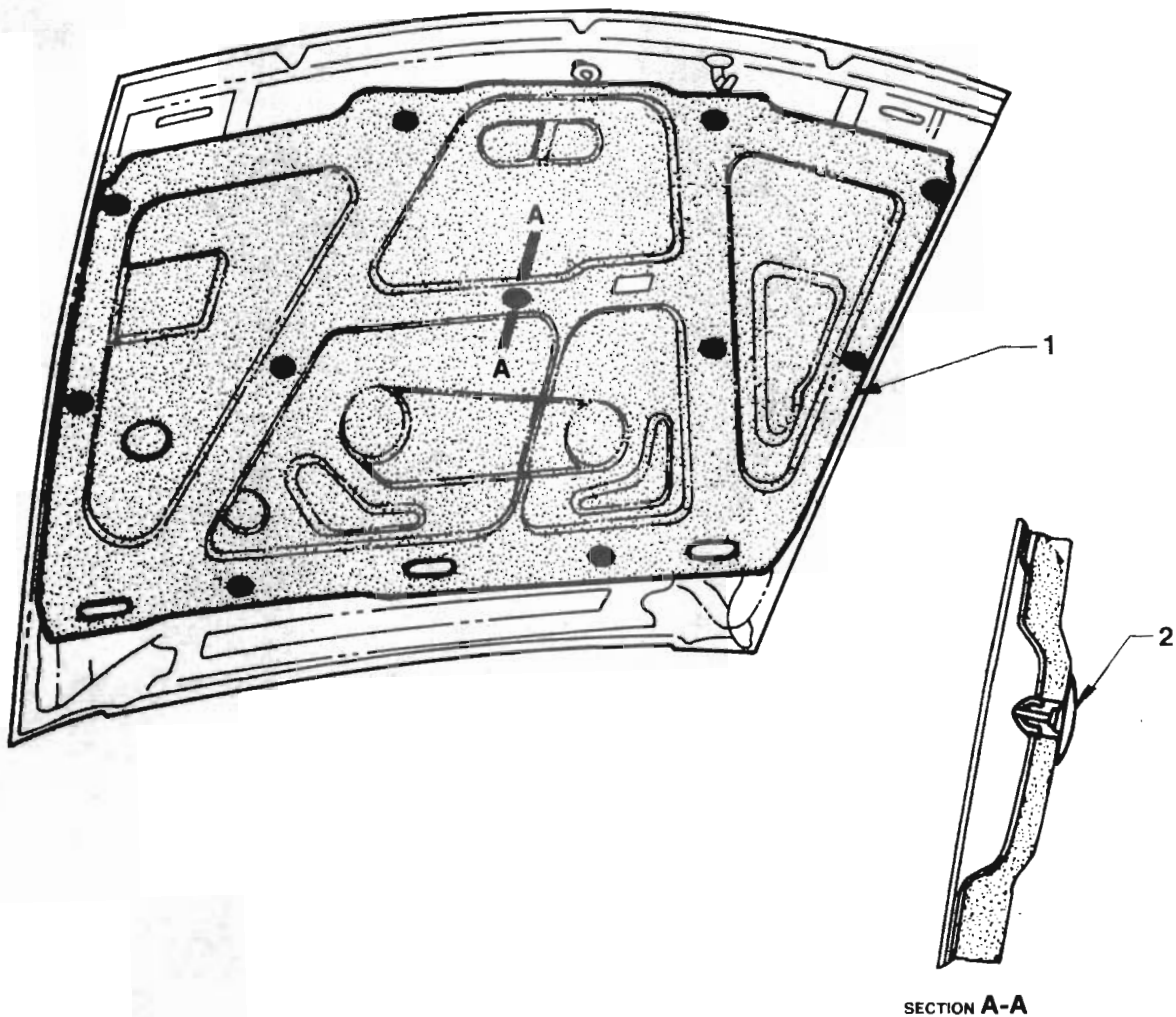


"V" SERIES PARTS CATALOGUE



**ENGINE HOOD & HARDWARE
VL SERIES**

REF. NO.	PART NAME	GROUP
1	PANEL ASM. - Hood.....	8.000
2	BUMPER - Hood front.....	8.024
3	SEAL - Hood side.....	8.010
4	PIN - Hood lock pilot.....	8.085
5	WEATHERSTRIP - Plenum chamber to hood.....	8.010
6	BUMPER - Hood side.....	8.024
7	HINGE ASM. - Hood.....	8.015
8	WASHER - Flat, Hinge to hood.....	8.016
9	WASHER - Lock, Hinge to hood.....	8.016
10	SCREW - Hinge to hood.....	8.016
11	CATCH - Hood safety.....	8.083
12	SPRING - Hood safety catch.....	8.083
13	RIVET - Hood safety catch to bracket.....	8.083
14	RETAINER - Hood lock pilot pin.....	8.085
15	SPRING - Hood lock pilot pin.....	8.085
16	NUT - Hood lock pilot pin.....	8.085
17	GRILLE - Hood.....	8.054

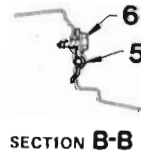
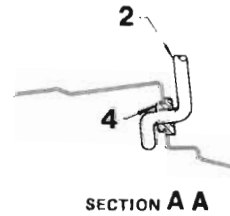
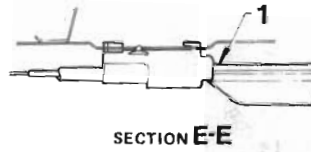
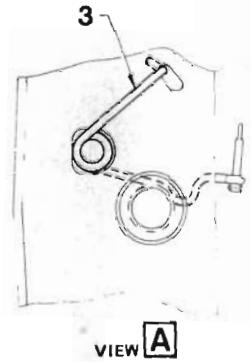
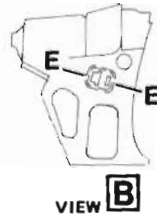
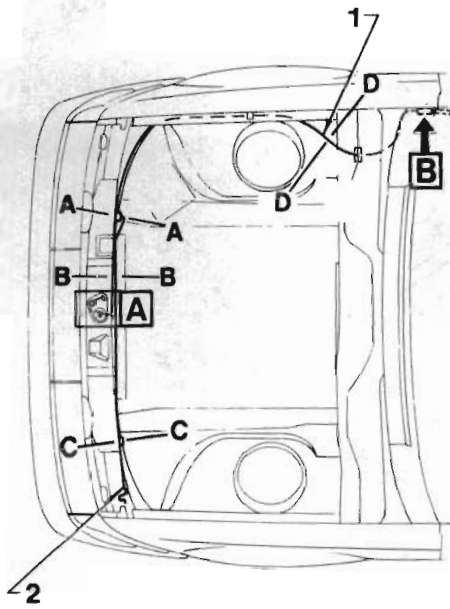


**ENGINE HOOD INSULATOR
VL SERIES**

REF. NO.	PART NAME	GROUP
1	INSULATOR - Hood.....	8.021
2	FASTENER - Hood insulator.....	8.021

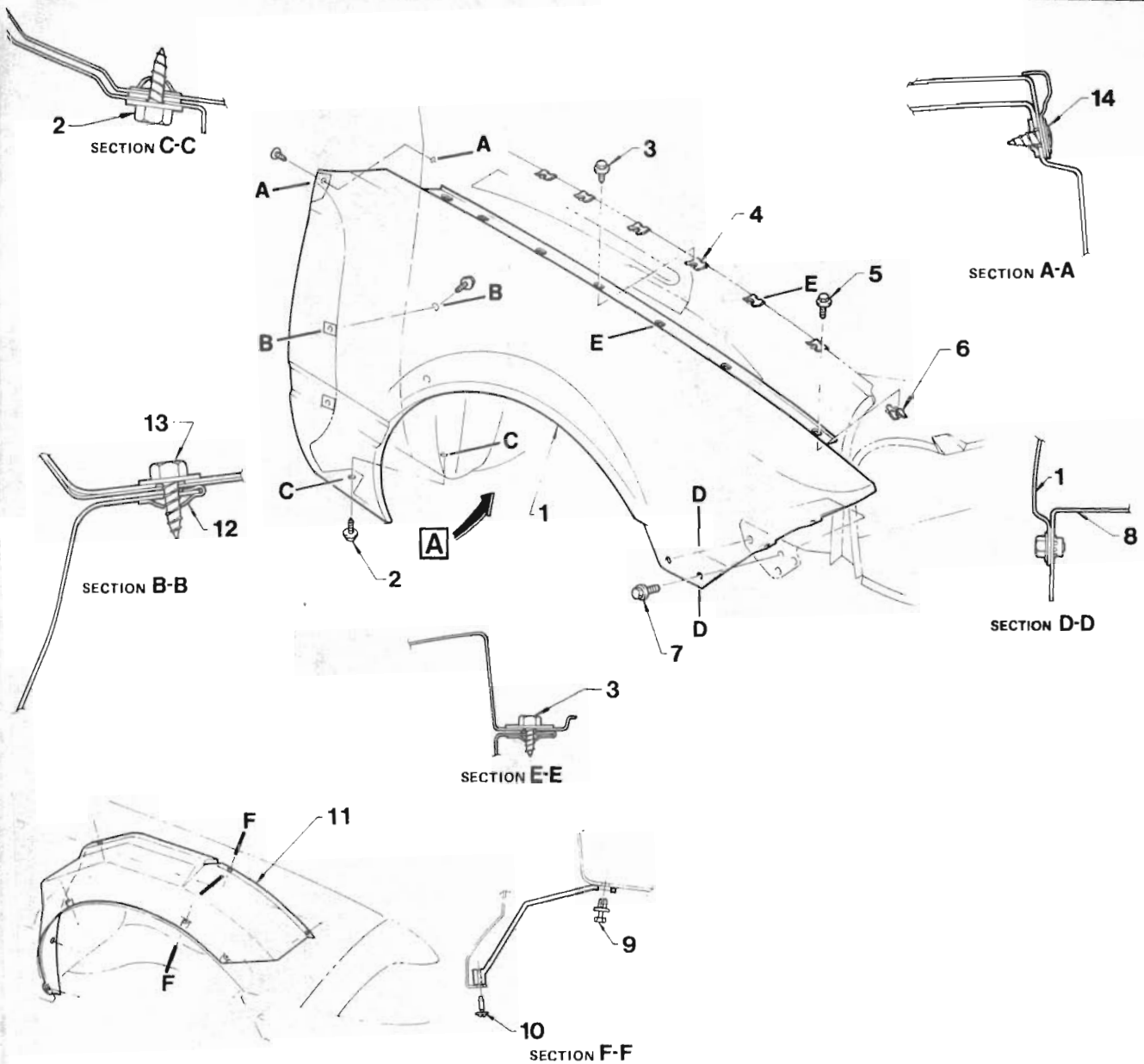


"V" SERIES PARTS CATALOGUE



HOOD LOCK RELEASE & SUPPORT VL SERIES

REF. NO.	PART NAME	GROUP
1	CABLE ASM. - Hood lock control.....	8.075
2	STAY - Hood.....	8.015
3	SPRING - Hood lock release.....	8.085
4	GROMMET - Hood stay pivot.....	8.015
5	CLIP - Hood lock control cable to front panel....	8.075
6	SCREW - Clip to front panel.....	8.075
7	RETAINER - Hood stay.....	8.015
8	CLIP - Hood lock control cable to fender skirt....	8.075



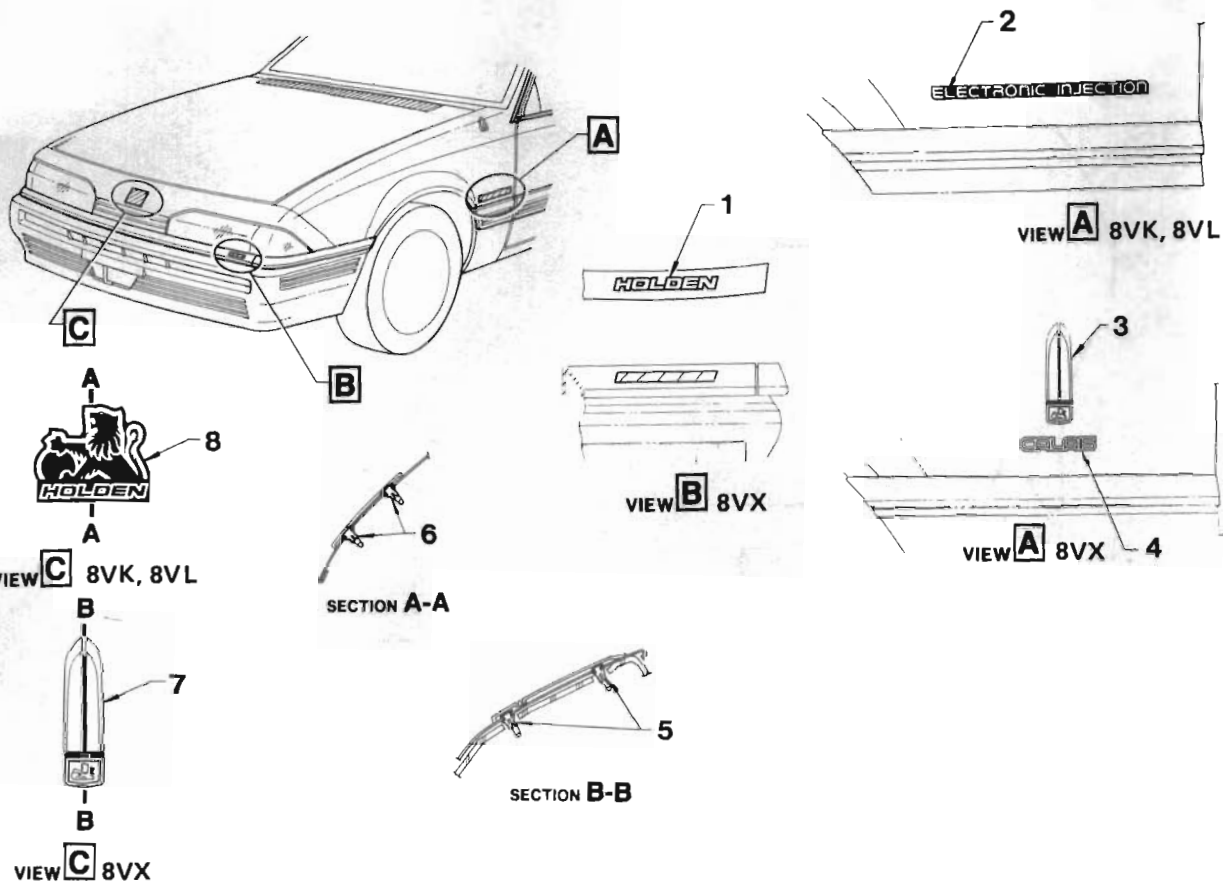
VIEW **A**

**FRONT FENDER
VL SERIES**

REF. NO.	PART NAME	GROUP
1	FENDER ASM.....	8.130
2	SCREW - Front fender to door opening frame, Lower.....	8.143
3	SCREW - Front fender to skirt.....	8.143
4	NUT - Front fender to skirt.....	8.143
5	SCREW - Front fender to front upper skirt.....	8.143
6	NUT - Fender to front upper skirt.....	8.143
7	SCREW - Front fender to brace.....	8.143
8	BRACE - Front fender attaching.....	8.143
9	RIVET - Liner to front fender.....	8.153
10	SCREW - Liner to front fender.....	8.153
11	LINER - Front fender.....	8.153
12	NUT - Front fender to door opening frame.....	8.143
13	SCREW - Front fender to door opening frame...	8.143
14	SCREW - Front fender to door opening frame, Upper.....	8.143

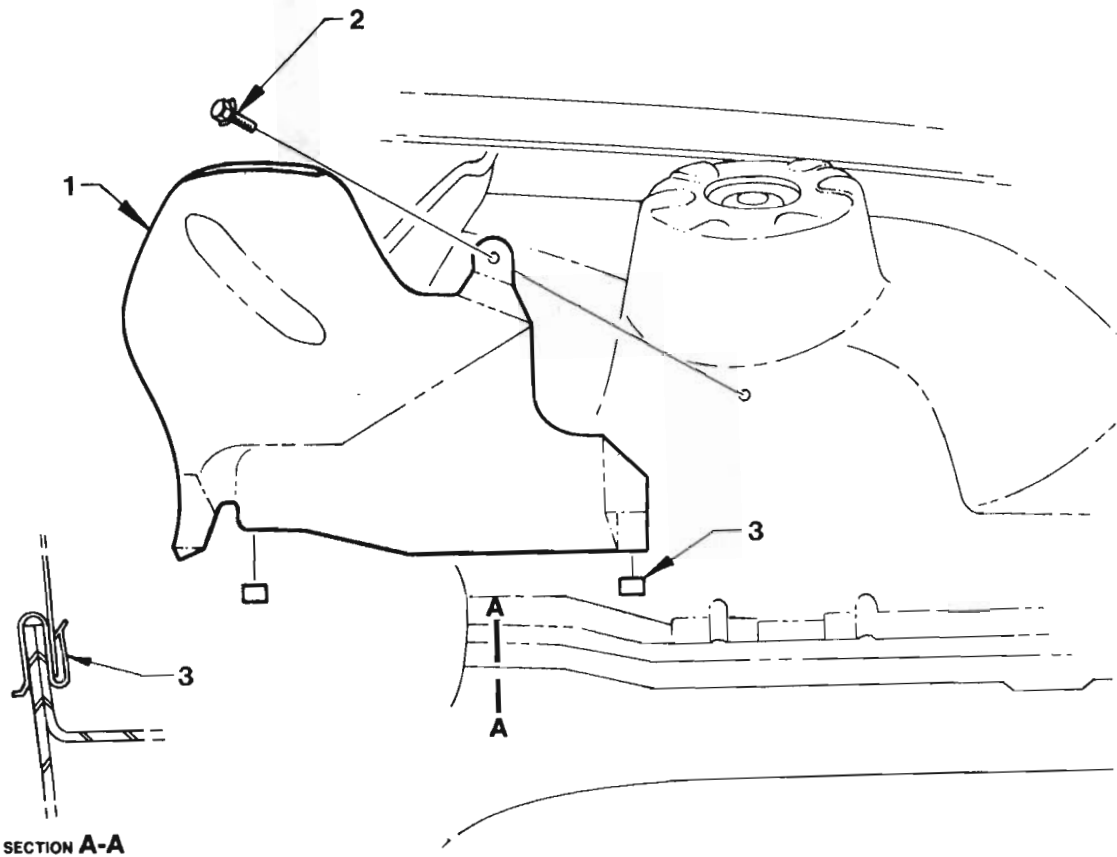


"V" SERIES PARTS CATALOGUE



FRONT END EMBLEMS & NAME PLATES VL SERIES

REF. NO.	PART NAME	GROUP
1	PLATE - Front bumper bar 'HOLDEN' name.....	7.832
2	PLATE - Front fender 'ELECTRONIC INJECTION' name	8.147
3	EMBLEM ASM. - Front fender.....	8.147
4	PLATE - Front fender 'CALAIS' name	8.147
5	CLIP - Emblem & moulding to hood.....	8.086
6	CLIP - Lion emblem to front end panel.....	1.303
7	EMBLEM - Front end panel, Calais.....	1.303
8	EMBLEM - Front end panel, Lion.....	1.303

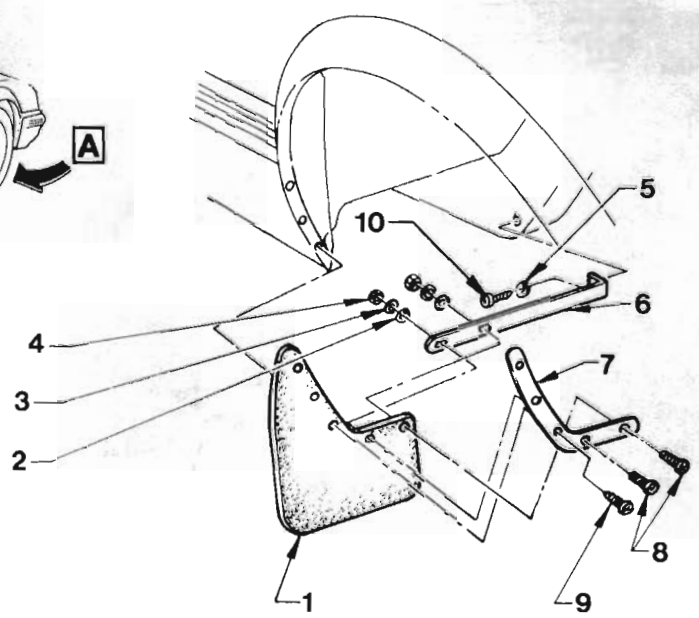
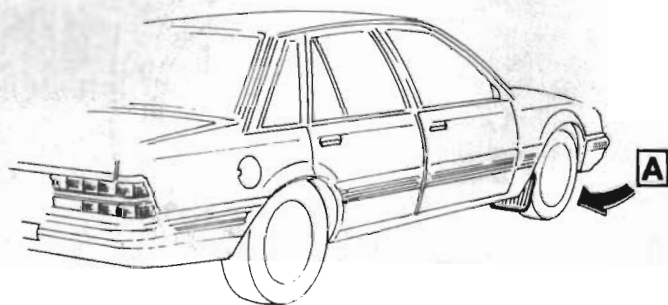


**FRONT FENDER HEAT SHIELD
6 CYLINDER ENGINE
VL SERIES**

REF. NO.	PART NAME	GROUP
1	PANEL - Heat shield.....	8.153
2	SCREW - Heat shield to front fender skirt.....	8.153
3	CLIP - Heat shield panel to frame.....	8.153



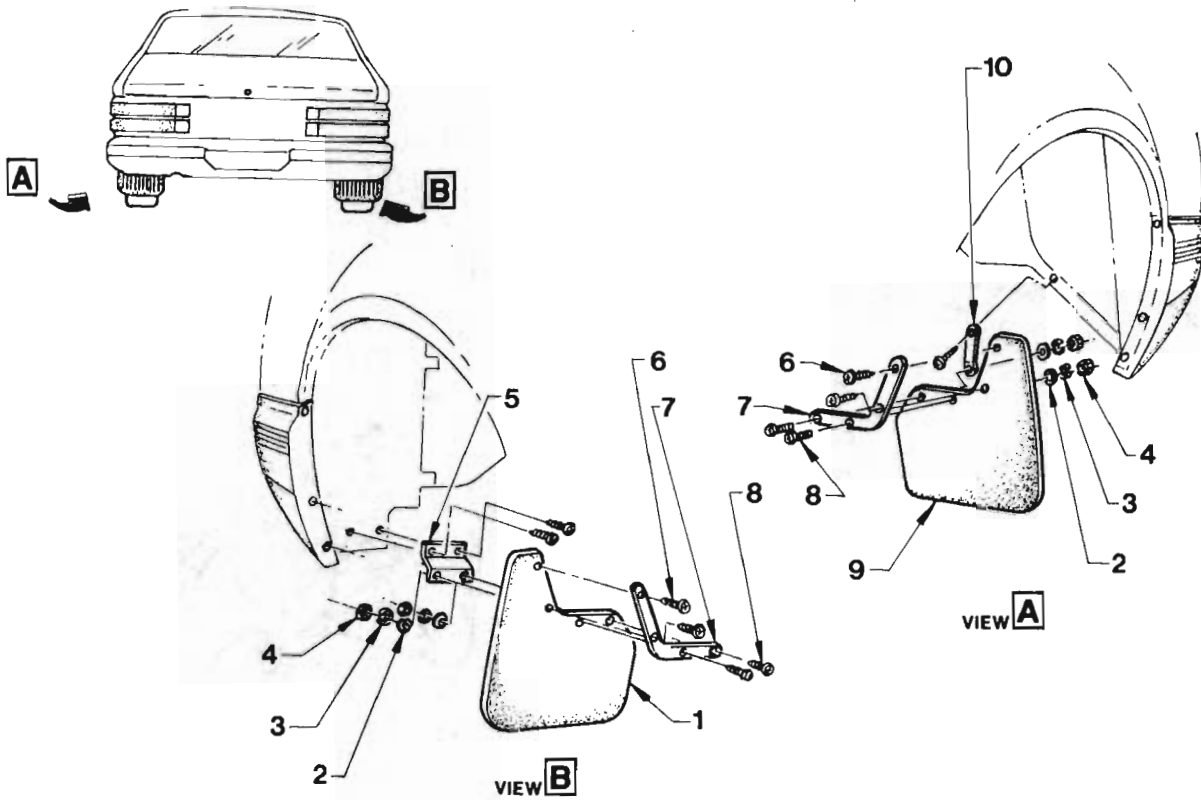
"V" SERIES PARTS CATALOGUE



VIEW **A**

FRONT FENDER MUD DEFLECTOR VL SERIES

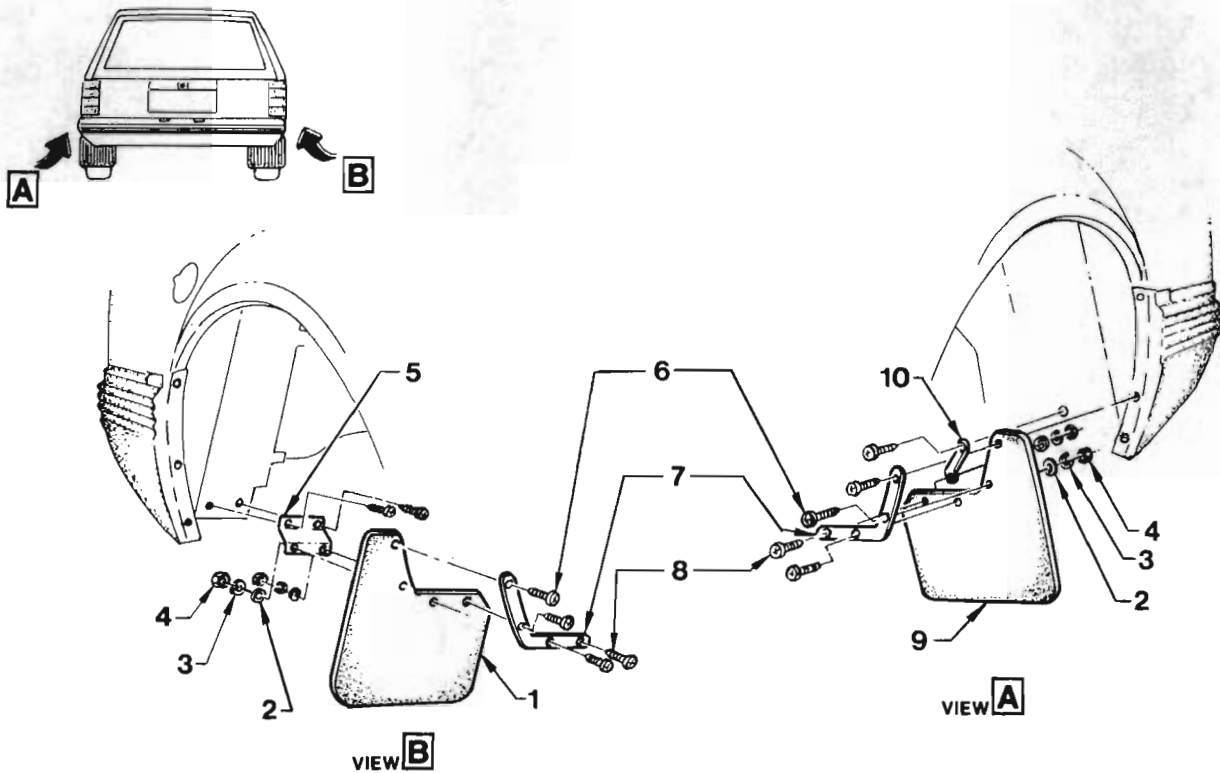
REF. NO.	PART NAME	GROUP
1-10	DEFLECTOR PACKAGE.....	8.154
1	DEFLECTOR.....	8.154
2	WASHER - Flat, Extension & deflector to retainer.....	8.154
3	WASHER - Lock, Extension & deflector to retainer.....	8.154
4	NUT - Extension & deflector to retainer	8.154
5	WASHER - Lock, Extension to frame.....	8.154
6	EXTENSION.....	8.154
7	RETAINER	8.154
8	SCREW - Extension & deflector to retainer	8.154
9	SCREW - Retainer & deflector to fender	8.154
10	SCREW - Extension to frame.....	8.154



REAR FENDER MUD DEFLECTOR

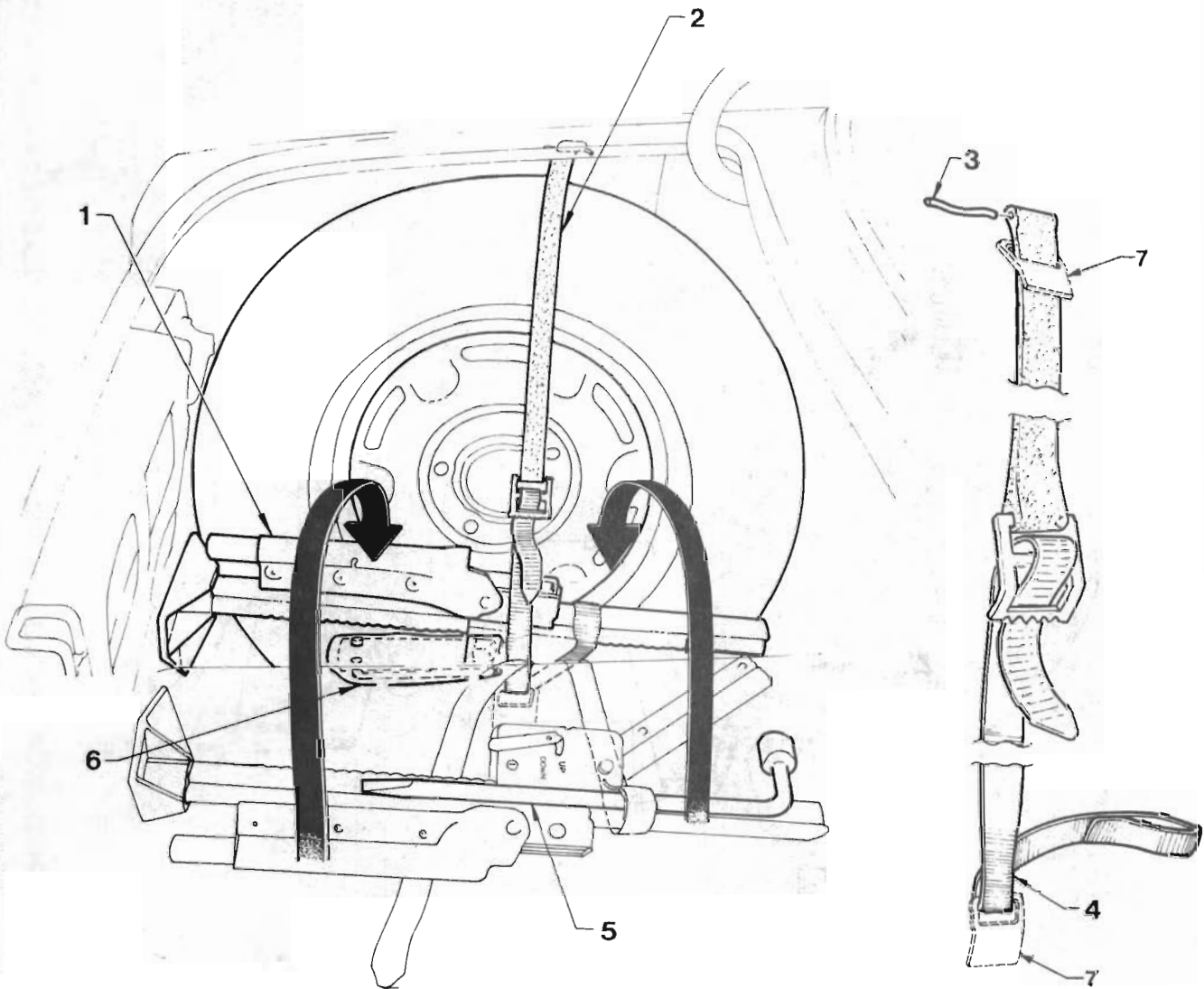
**SEDAN
VL SERIES**

REF. NO.	PART NAME	GROUP
1-10	DEFLECTOR PACKAGE.....	8.214
1	DEFLECTOR - RH.....	8.214
2	WASHER - Flat, Retainer to deflector.....	8.214
3	WASHER - Lock, Retainer to deflector.....	8.214
4	NUT - Retainer to deflector.....	8.214
5	BRACKET - Deflector, RH.....	8.214
6	SCREW - Deflector to fender.....	8.214
7	RETAINER.....	8.214
8	SCREW - Retainer to deflector.....	8.214
9	DEFLECTOR - LH.....	8.214
10	BRACKET - Deflector, LH.....	8.214



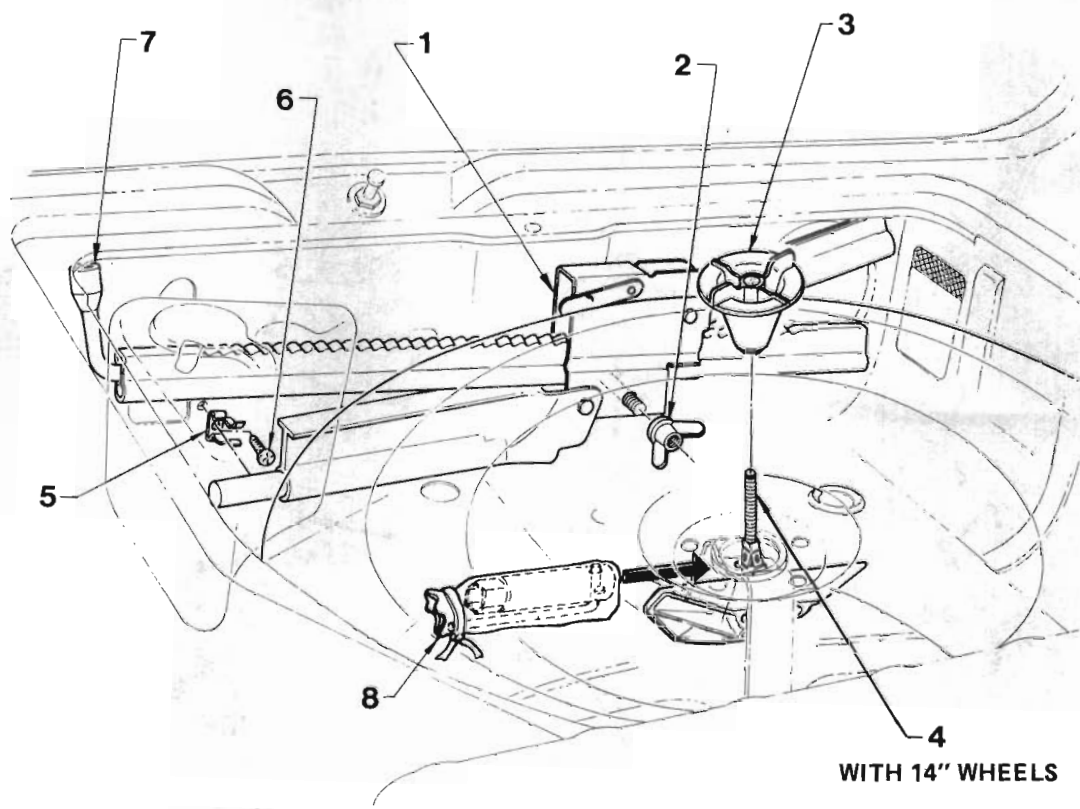
**REAR FENDER MUD DEFLECTOR
WAGON
VL SERIES**

REF. NO.	PART NAME	GROUP
1-10	DEFLECTOR PACKAGE.....	8.214
1	DEFLECTOR - RH.....	8.214
2	WASHER - Flat, Retainer to deflector.....	8.214
3	WASHER - Lock, Retainer to deflector.....	8.214
4	NUT - Retainer to deflector.....	8.214
5	BRACKET - Deflector, RH.....	8.214
6	SCREW - Deflector to fender.....	8.214
7	RETAINER.....	8.214
8	SCREW - Retainer to deflector.....	8.214
9	DEFLECTOR - LH.....	8.214
10	BRACKET - Deflector, LH.....	8.214

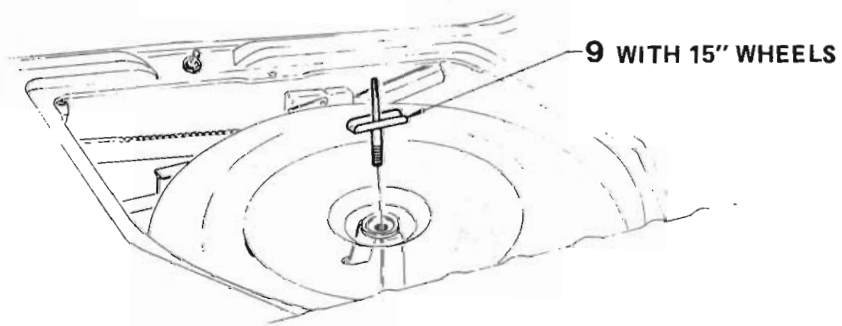


JACK & SPARE WHEEL STOWAGE
SEDAN
VL SERIES

REF. NO.	PART NAME	GROUP
1	JACK ASM.....	8.820
2	STRAP & BUCKLE ASM. - Spare wheel mounting, Upper.....	7.629
3	PIN - Spare wheel mounting strap.....	7.629
4	STRAP - Spare wheel mounting, Lower.....	7.629
5	WRENCH - Wheel nut.....	8.821
6	BAG - Spark plug wrench & lever.....	8.821
7	BUCKLE - Strap anchor - Weld.....	7.629



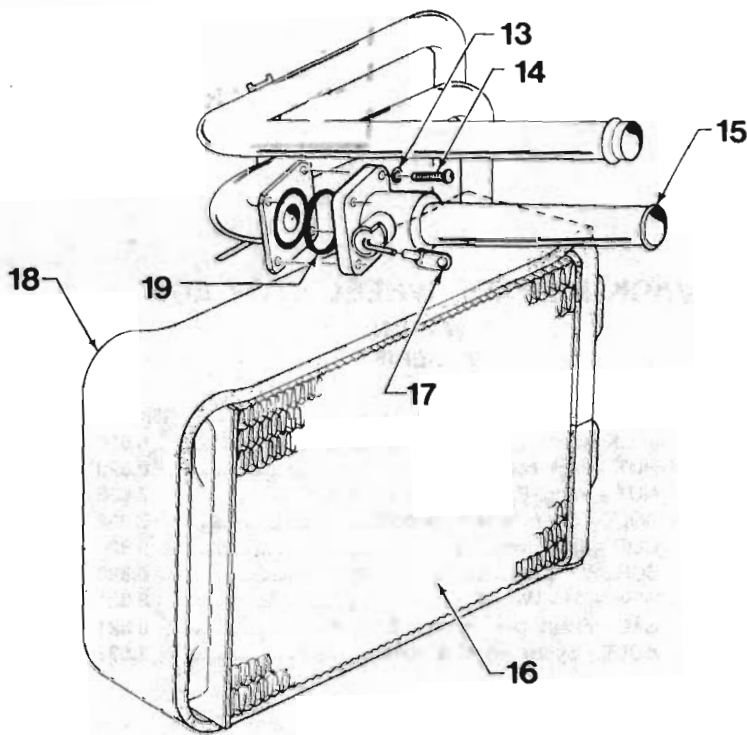
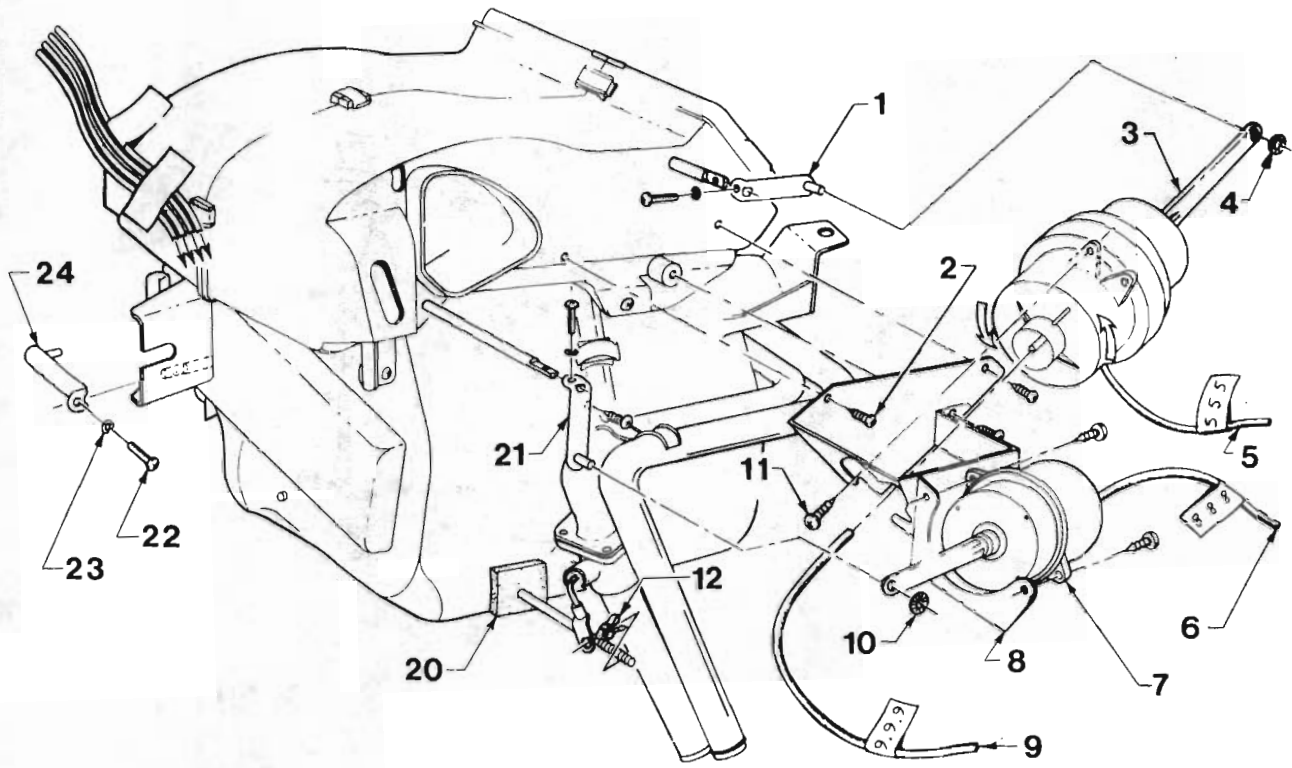
WITH 14" WHEELS



9 WITH 15" WHEELS

JACK & SPARE WHEEL STOWAGE
WAGON
VL SERIES

REF. NO.	PART NAME	GROUP
1	JACK ASM.....	8.820
2	NUT - Jack securing	8.820
3	NUT - Wing, Spare wheel mounting.....	7.632
4	BOLT - Spare wheel support.....	7.632
5	CLIP - Jack securing.....	8.820
6	SCREW - Jack securing clip attaching.....	8.820
7	WRENCH - Wheel nut.....	8.821
8	BAG - Spark plug wrench & lever	8.821
9	BOLT - Spare wheel & cover	7.632

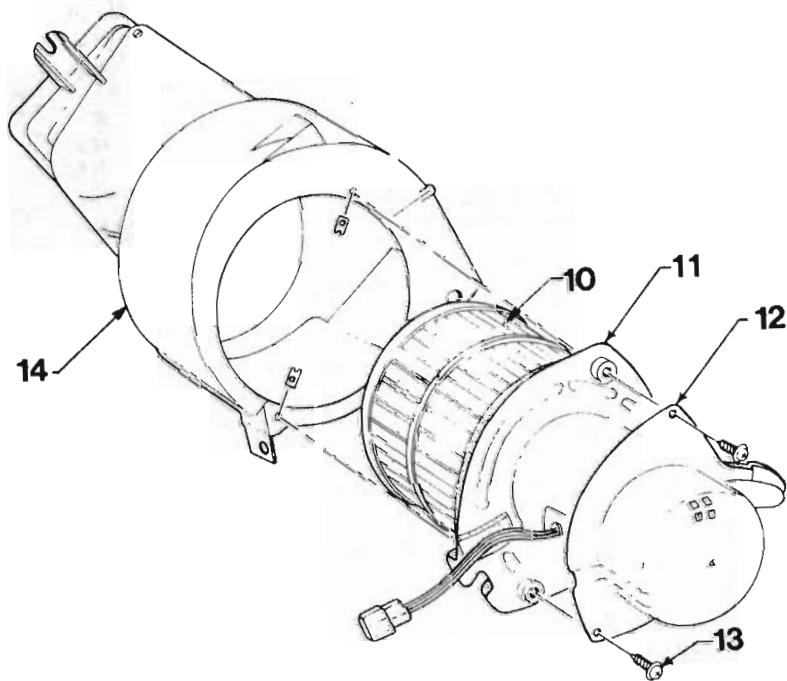
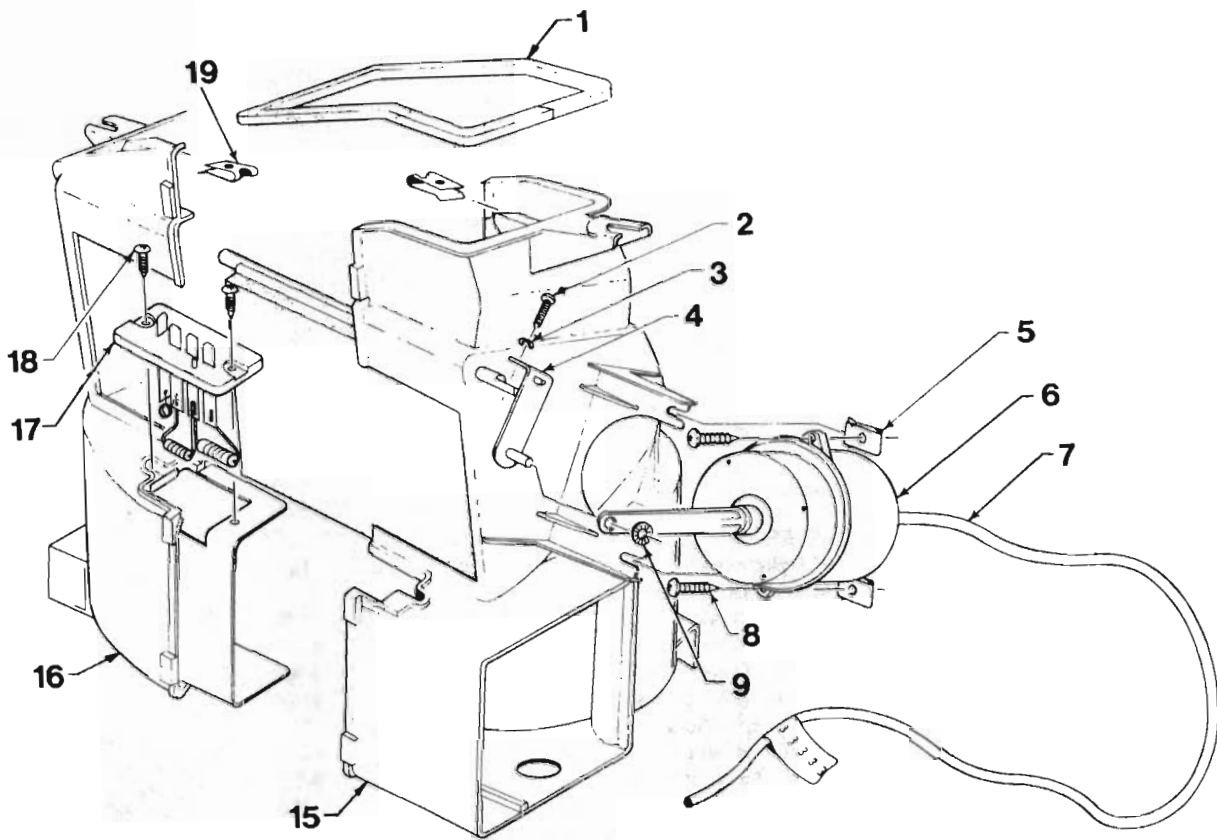




"V" SERIES PARTS CATALOGUE

HEATER VL SERIES

REF. NO.	PART NAME	GROUP
1	LEVER - Heater door.....	N.S.
2	SCREW - Bracket to heater case.....	N.S.
3	ACTUATOR - Heater door, 2 Stage.....	8.850
4	CLIP - Actuator to lever.....	8.850
5	HOSE - Heater vent vacuum.....	8.850
6	HOSE - Demist door.....	8.850
7	ACTUATOR - Demist door.....	8.850
8	BRACKET - Actuator.....	N.S.
9	HOSE - Heater bi-level vacuum.....	8.850
10	CLIP - Actuator to lever.....	8.850
11	SCREW - Actuator to bracket.....	N.S.
12	CLIP - Valve to adjusting rod.....	8.866
13	WASHER - Valve.....	N.S.
14	SCREW - Valve.....	N.S.
15	VALVE ASM. - Heater water.....	8.866
16	CORE & FITTING ASM. - Heater.....	8.854
17	LEVER - Valve.....	N.S.
18	GASKET - Heater core.....	N.S.
19	'O' RING - Valve.....	8.866
20	INSULATOR - Adjusting rod to case.....	N.S.
21	LEVER - Demist door.....	N.S.
22	SCREW - Heater door lever.....	N.S.
23	WASHER - Heater door lever.....	N.S.
24	LEVER - Heater door.....	N.S.



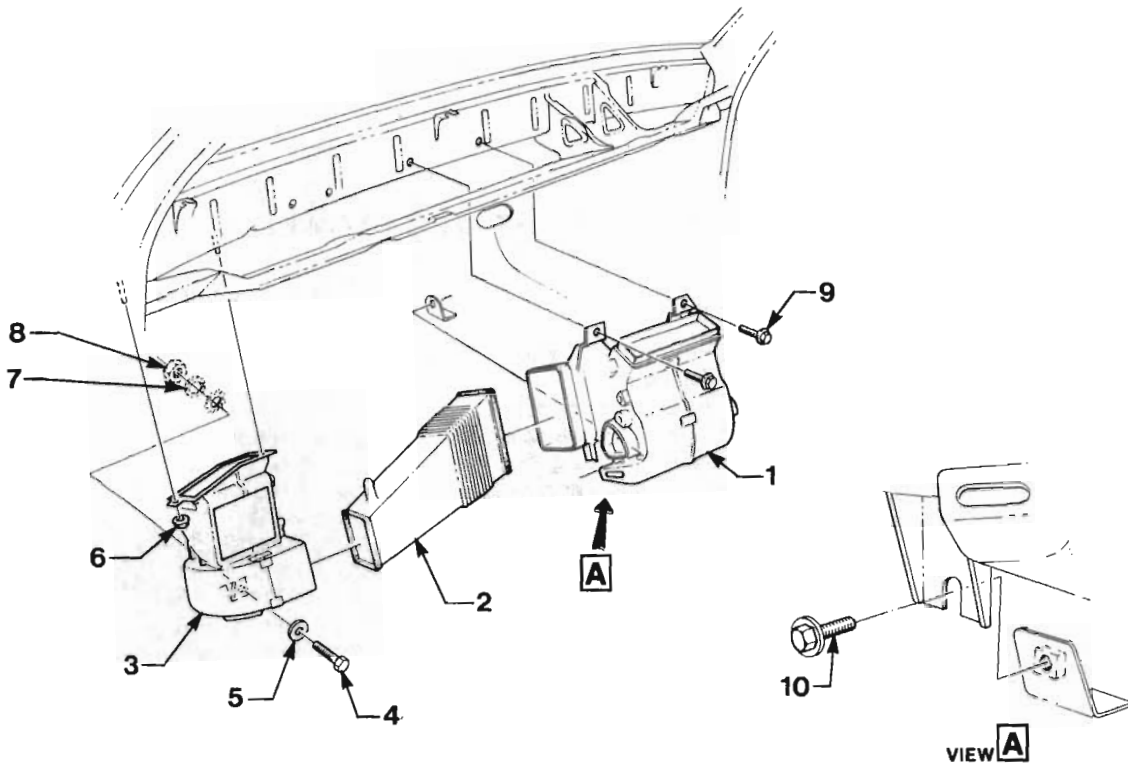


"V" SERIES PARTS CATALOGUE

HOUSING & MOTOR - HEATER BLOWER VL SERIES

ILLUSTRATION OPPOSITE

REF. NO.	PART NAME	GROUP
1	GASKET - Air inlet	N.S.
2	SCREW - Lever to blower door	N.S.
3	WASHER - Lever to blower door	N.S.
4	LEVER - Blower door	N.S.
5	CLIP - Actuator to blower case	N.S.
6	ACTUATOR - Blower door	8.850
7	HOSE - Actuator, Blower door	8.850
8	SCREW - Actuator to blower case	N.S.
9	CLIP - Actuator to lever	8.850
10	IMPELLER - Heater blower	8.857
11	MOTOR & IMPELLER ASM. - Blower	8.857
12	COVER - Motor & impeller	N.S.
13	SCREW - Cover to motor	N.S.
14	HOUSING - Motor & impeller	N.S.
15	CASE - Blower, RH	8.857
16	CASE - Blower, LH	8.857
17	RESISTOR ASM. - Blower motor	8.857
18	SCREW - Resistor to blower case	N.S.
19	CLIP - Blower case	N.S.

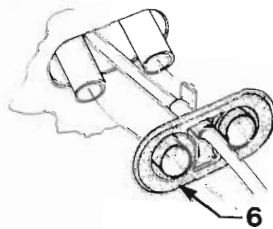
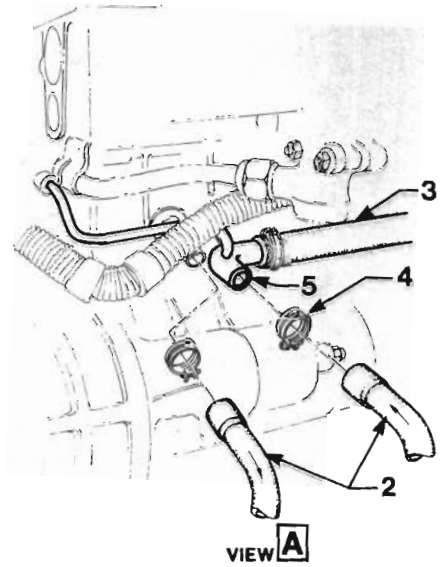
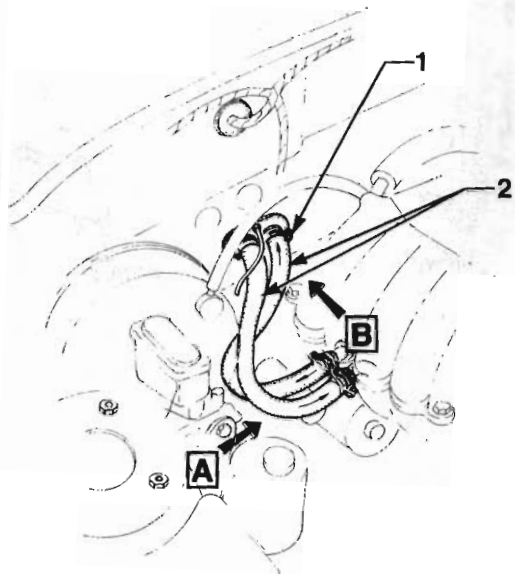


**BLOWER & HEATER
VL SERIES**

REF. NO.	PART NAME	GROUP
1	CASE & CORE ASM. - Heater.....	8.854
2	DUCT ASM. - Blower to heater.....	9.262
3	HOUSING, MOTOR & IMPELLER ASM. - Heater.....	8.857
4	BOLT - Heater blower housing to dash panel.....	8.857
5	WASHER - Heater blower housing to dash panel.....	8.857
6	NUT - Heater blower housing to dash panel.....	8.857
7	WASHER - Blower housing to dash panel.....	8.857
8	NUT - Blower housing to dash panel.....	8.857
9	BOLT - Heater to reinforcement, Dash panel.....	8.854
10	BOLT - Heater to bracket.....	8.856

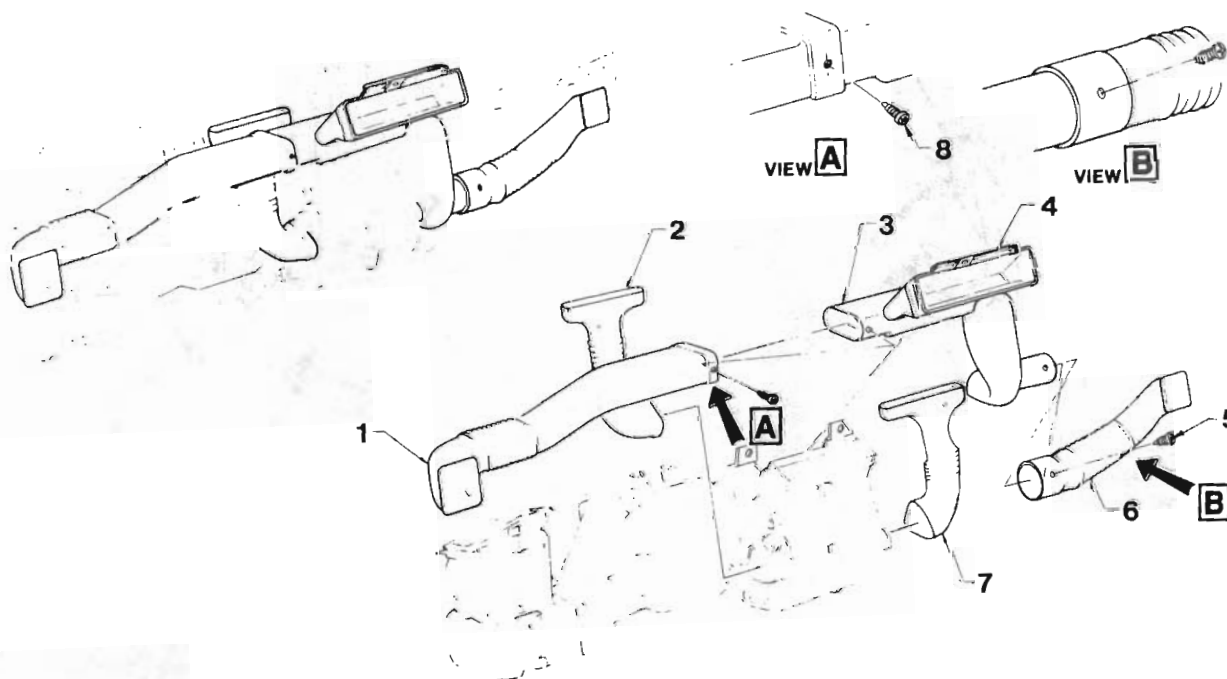


"V" SERIES PARTS CATALOGUE



HEATER HOSES 6 CYLINDER ENGINE VL SERIES

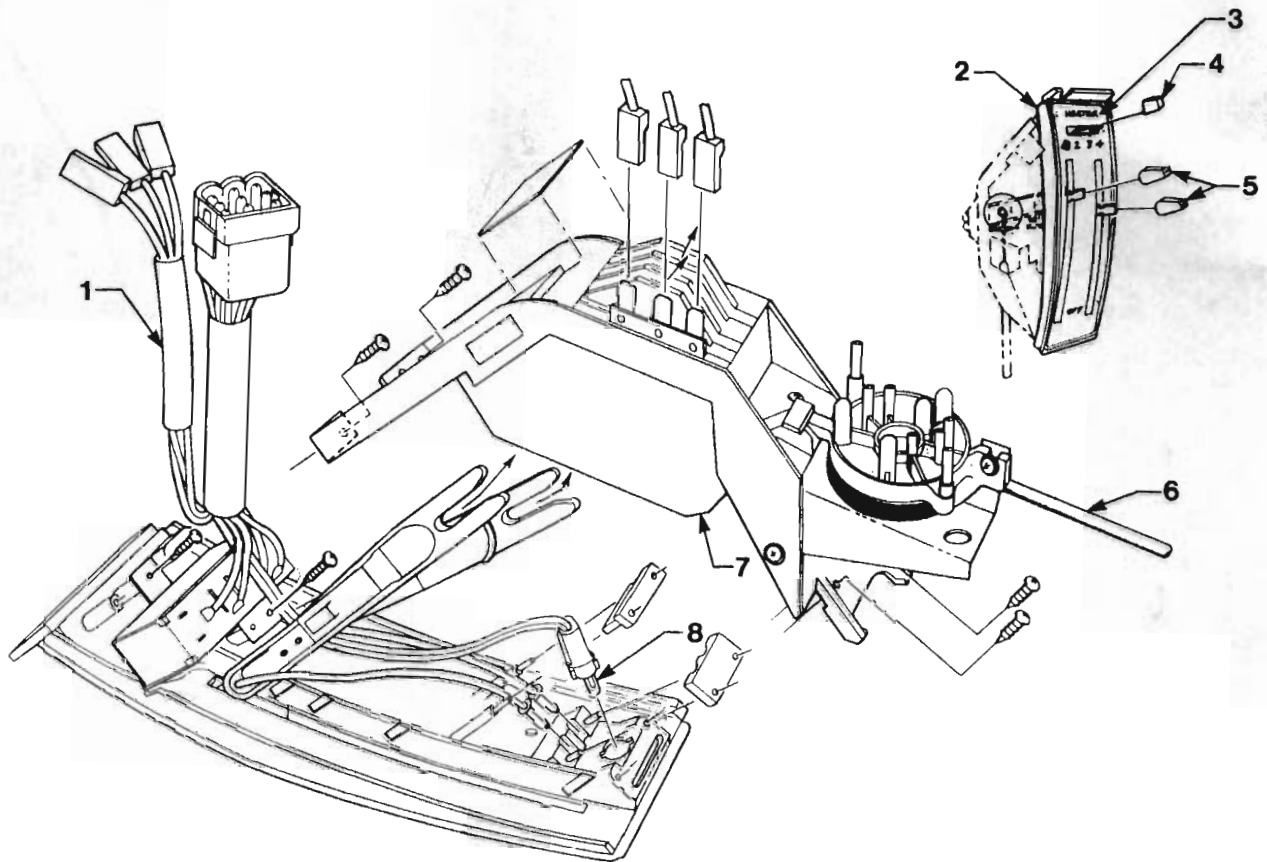
REF. NO.	PART NAME	GROUP
1	CLAMP - Heater hose, .97" dia.....	8.846
2	HOSE - Heater.....	8.846
3	HOSE - Engine, Front connector to heater hose connector.....	8.846
4	CLAMP - Heater hose to engine.....	8.846
5	CONNECTOR - Hose, 3 way, Rear.....	8.846
6	GROMMET - Heater core.....	8.854



HEATER DUCTING

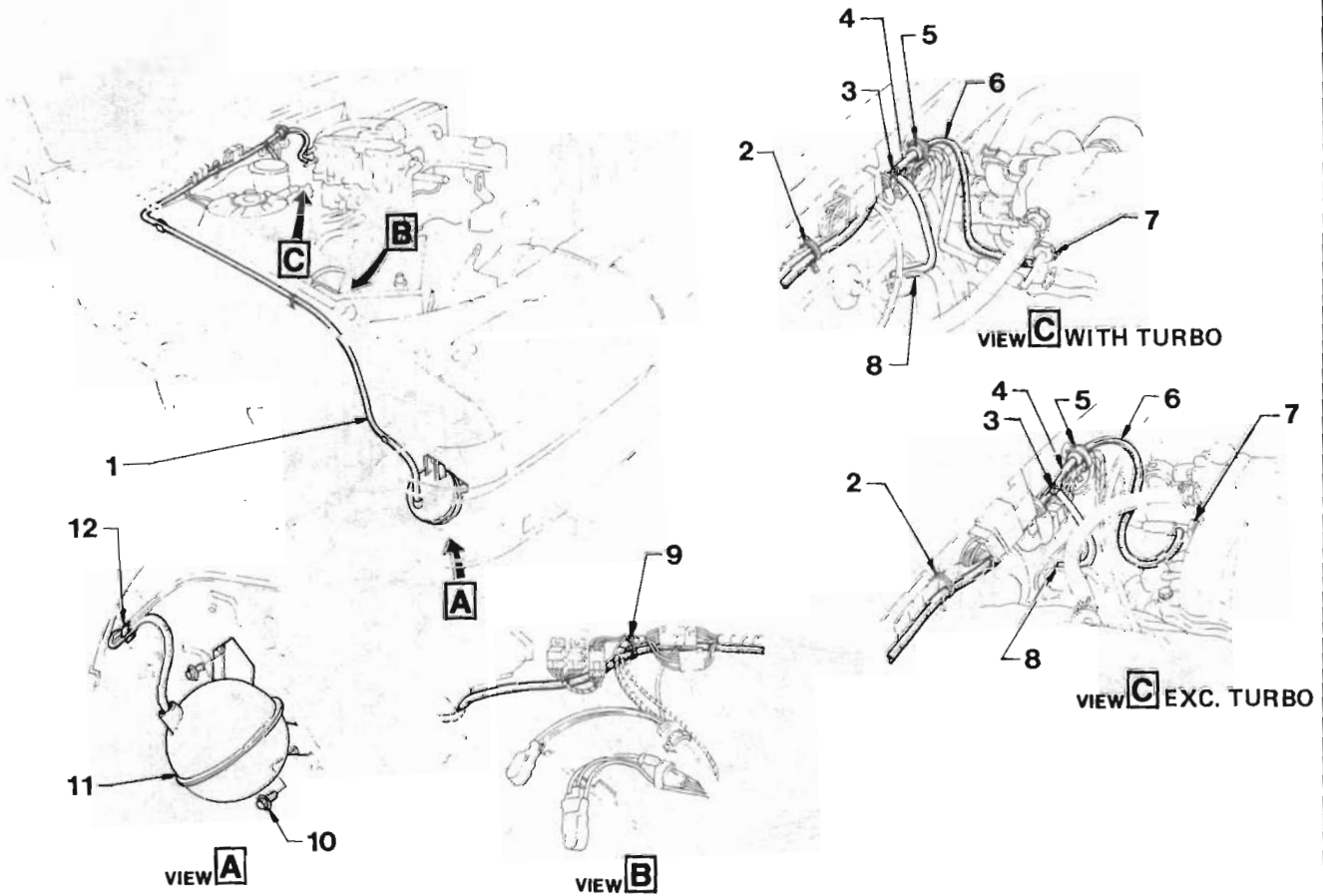
VL SERIES

REF. NO.	PART NAME	GROUP
1	DUCT - Air outlet LH outer.....	9.262
2	DUCT ASM. - Demist air distribution, LH.....	9.779
3	DUCT - Air distribution centre.....	9.262
4	DUCT ASM. - Air distribution outer centre.....	9.262
5	SCREW - Distribution duct support.....	9.262
6	DUCT - Air outlet RH outer.....	9.262
7	DUCT ASM. - Demist air distribution, RH.....	9.779
8	SCREW - Distribution duct centre.....	9.262



**HEATER CONTROL
VL SERIES**

REF. NO.	PART NAME	GROUP
1	SWITCH & HARNESS ASM. - Fan.....	8.849
2	CONTROL ASM. - Less cable.....	8.849
3	DECAL - Control.....	8.849
4	KNOB - Fan control.....	8.849
5	KNOB - Mode/Temp control.....	8.849
6	CABLE - Heat control.....	8.852
7	PRINTED CIRCUIT - Control.....	8.849
8	BULB - Control.....	8.849

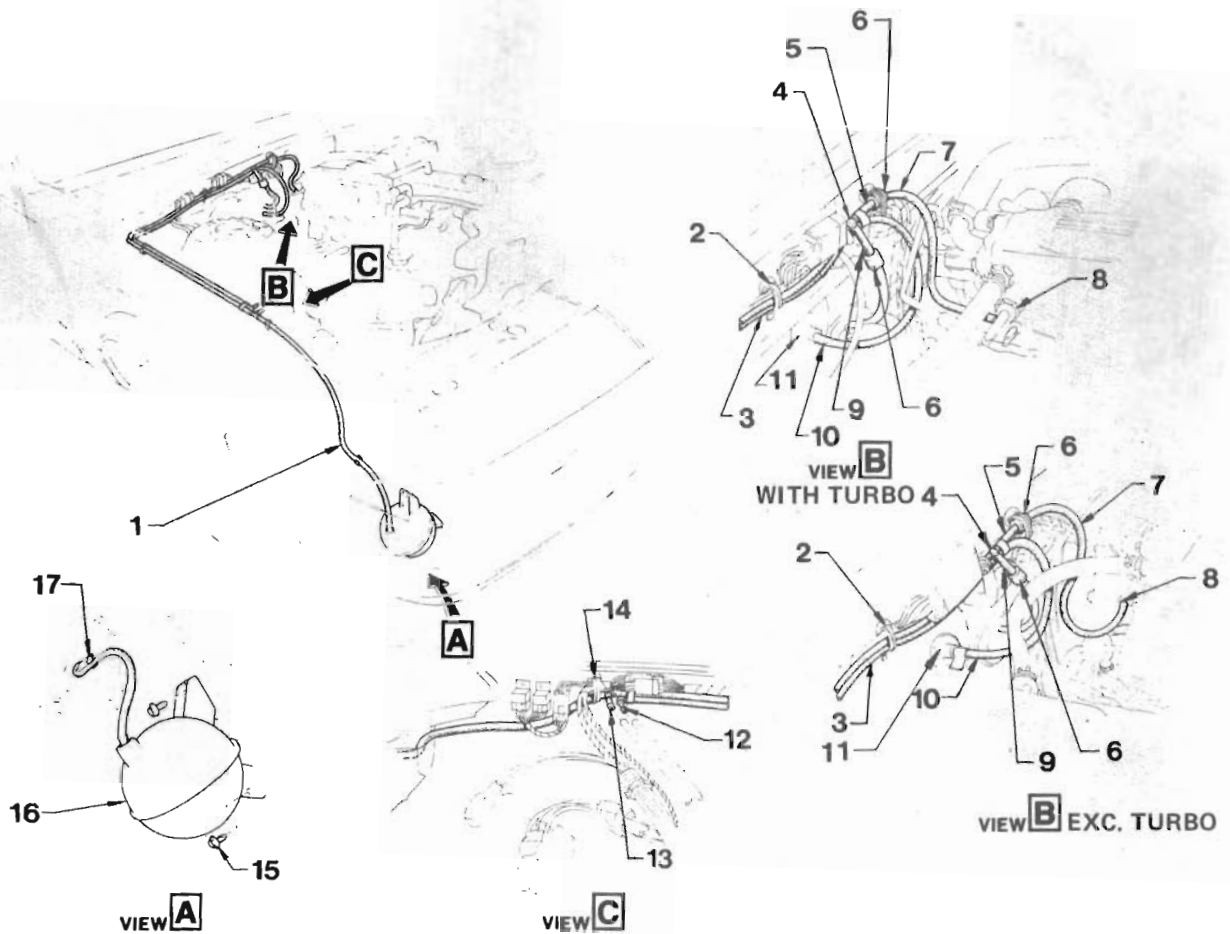


HEATER & AIR CONDITIONING VACUUM CONTROL HOSES
6 CYLINDER ENGINE EXC. CRUISE CONTROL
VL SERIES

REF. NO.	PART NAME	GROUP
1	HOSE - Vacuum tank to tee.....	8.850
2	STRAP - Harness to dash panel.....	2.483
3	TEE - Vacuum hose.....	8.850
4	HOSE - Tee to vacuum check valve.....	8.850
5	VALVE ASM. - Vacuum check.....	8.850
6	HOSE - Vacuum connector to vacuum check valve.....	8.850
7	CONNECTOR - 3 way.....	3.278
8	HOSE - Heater control to vacuum check valve..	8.850
9	STRAP - Harness to front fender skirt.....	2.483
10	BOLT - Vacuum tank attaching.....	8.850
11	TANK ASM. - Vacuum.....	8.850
12	CLIP - Vacuum hose to fender skirt.....	8.850

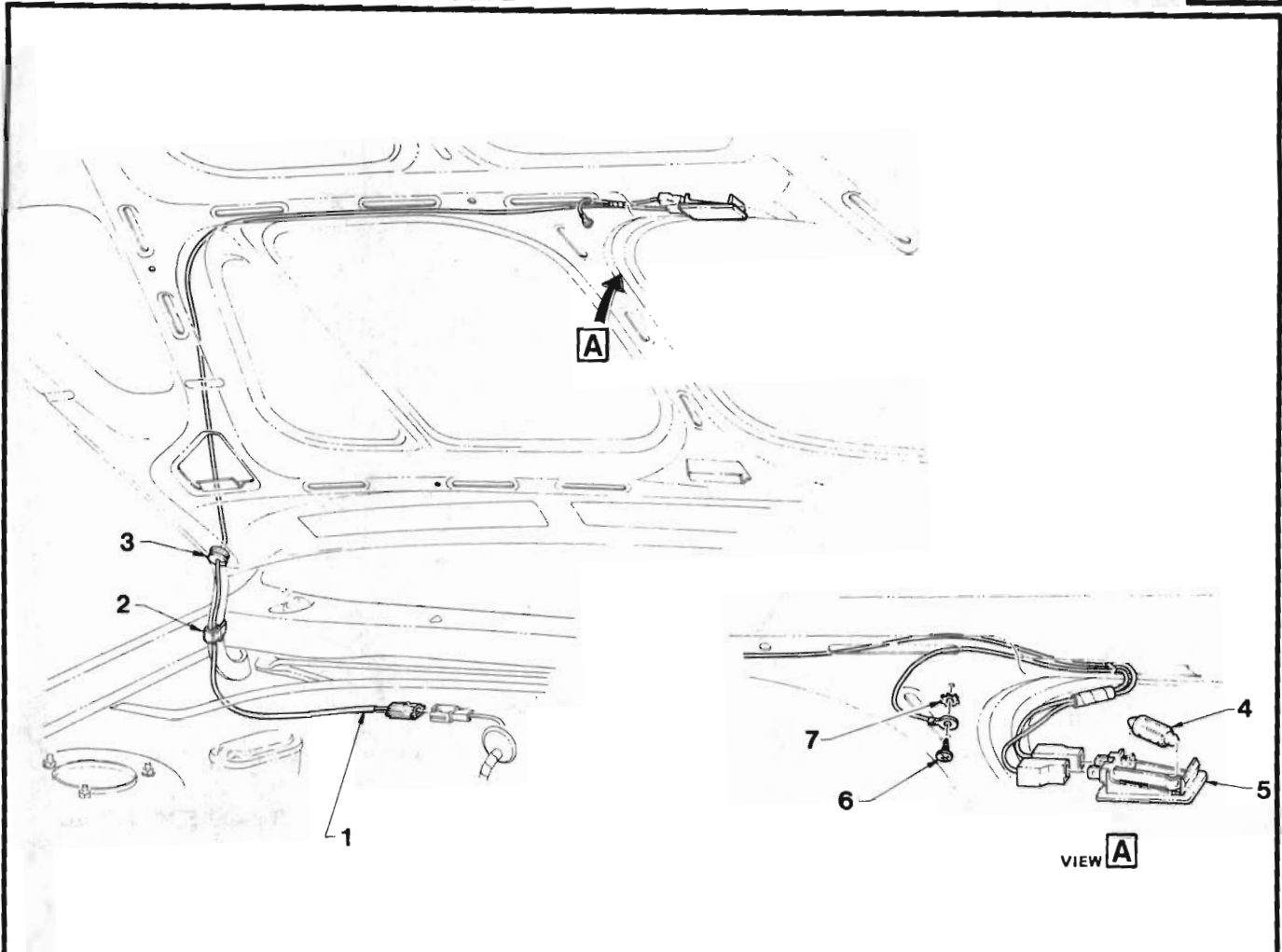


"V" SERIES PARTS CATALOGUE



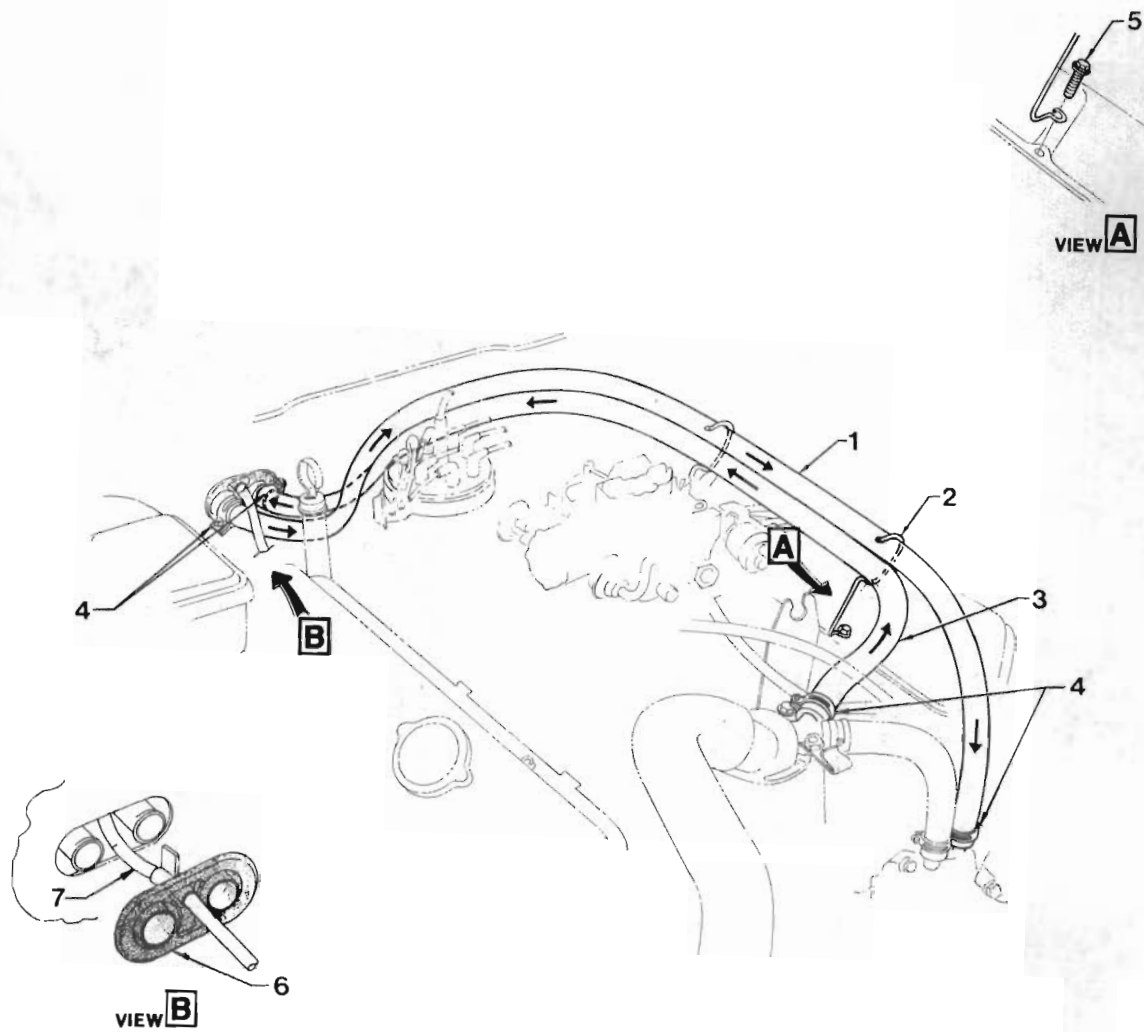
**HEATER & AIR CONDITIONING VACUUM CONTROL HOSES
6 CYLINDER ENGINE WITH CRUISE CONTROL
VL SERIES**

REF. NO.	PART NAME	GROUP
1	HOSE - Vacuum tank to tee.....	8.850
2	STRAP - Harness to dash panel.....	2.483
3	HOSE - Elbow to cruise control servo.....	3.886
4	TEE - Vacuum hose.....	8.850
5	HOSE - Tee to vacuum check valve.....	8.850
6	VALVE ASM. - Vacuum check	8.850
7	HOSE - Vacuum connector to vacuum check valve.....	8.850
8	CONNECTOR - 3 way	3.278
9	HOSE - Heater control to vacuum check valve ..	8.850
10	HOSE - Elbow to vacuum release valve.....	3.886
11	GROMMET - Vacuum hose	3.886
12	ELBOW - Vacuum.....	3.886
13	TEE - Vacuum hose	3.886
14	STRAP - Harness to front fender skirt.....	2.483
15	BOLT - Vacuum tank attaching.....	8.850
16	TANK ASM. - Vacuum	8.850
17	CLIP - Vacuum hose to fender skirt.....	8.850



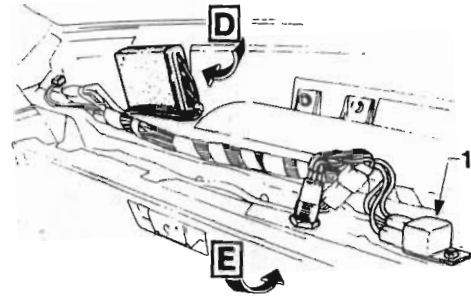
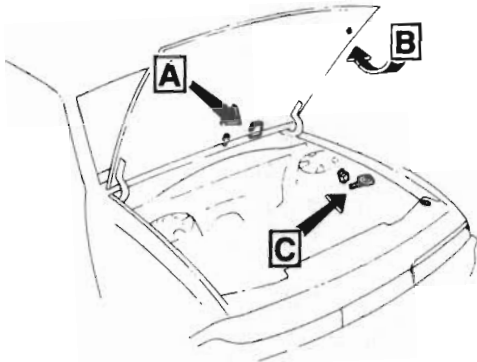
**ENGINE COMPARTMENT LAMP
VL SERIES**

REF. NO.	PART NAME	GROUP
1	LEAD ASM. - Engine compartment lamp	8.890
2	CLIP - Lead	8.890
3	GROMMET - Engine compartment lamp lead	8.890
4	BULB - Engine compartment lamp	8.890
5	LENS & TERMINAL ASM. - Engine compartment lamp	8.890
6	SCREW - Engine compartment lamp lead earth.	8.890
7	WASHER - Engine compartment lamp lead earth.....	8.890

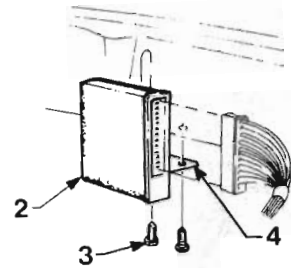
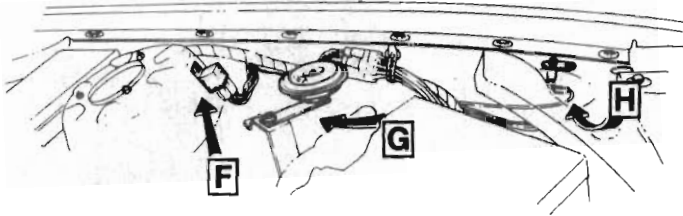


HEATER HOSES
8 CYLINDER ENGINE
VL SERIES

REF. NO.	PART NAME	GROUP
1	HOSE - Heater outlet to water pump.....	8.846
2	CLIP - Heater hose retaining	8.846
3	HOSE - Thermostat housing to heater inlet.....	8.846
4	CLAMP - Heater hose.....	8.846
5	SCREW - Heater hose retaining clip.....	8.846
6	GROMMET - Inlet & outlet pipes.....	8.846
7	HOSE - Vacuum control.....	8.850

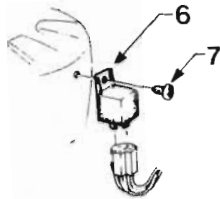
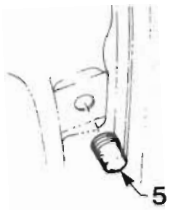


VIEW A



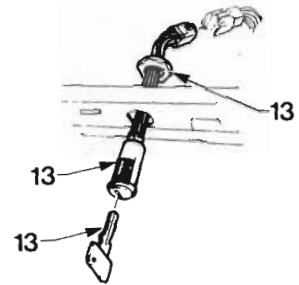
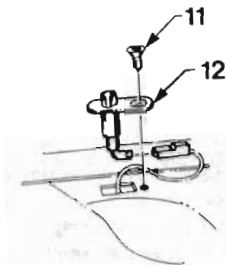
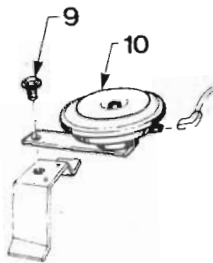
VIEW C

VIEW D



VIEW B

VIEW F



VIEW G

VIEW H

VIEW E



**ALARM SYSTEM - COBRA
VL SERIES (CALAIS)**

ILLUSTRATION OPPOSITE

REF. NO.	PART NAME	GROUP
1	RELAY - Module back-up	8.881
2	MODULE - Model NO. 962.....	8.881
3	SCREW - Module and bracket to dash.....	8.881
4	BRACKET - Module mounting	8.881
5	BUMPER - Hood switch	8.024
6	RELAY ASM.	2.815
7	SCREW - Horn relay	2.815
8	KEY - Radio.....	8.881
9	SCREW - Horn asm	2.815
10	HORN AND BRACKET ASM.	2.810
11	SCREW - Switch to front panel.....	8.881
12	SWITCH - Hood alarm actuating.....	8.881
13	KEY, SWITCH & NUT ASM.	8.881
14	KEY - Remote	8.881



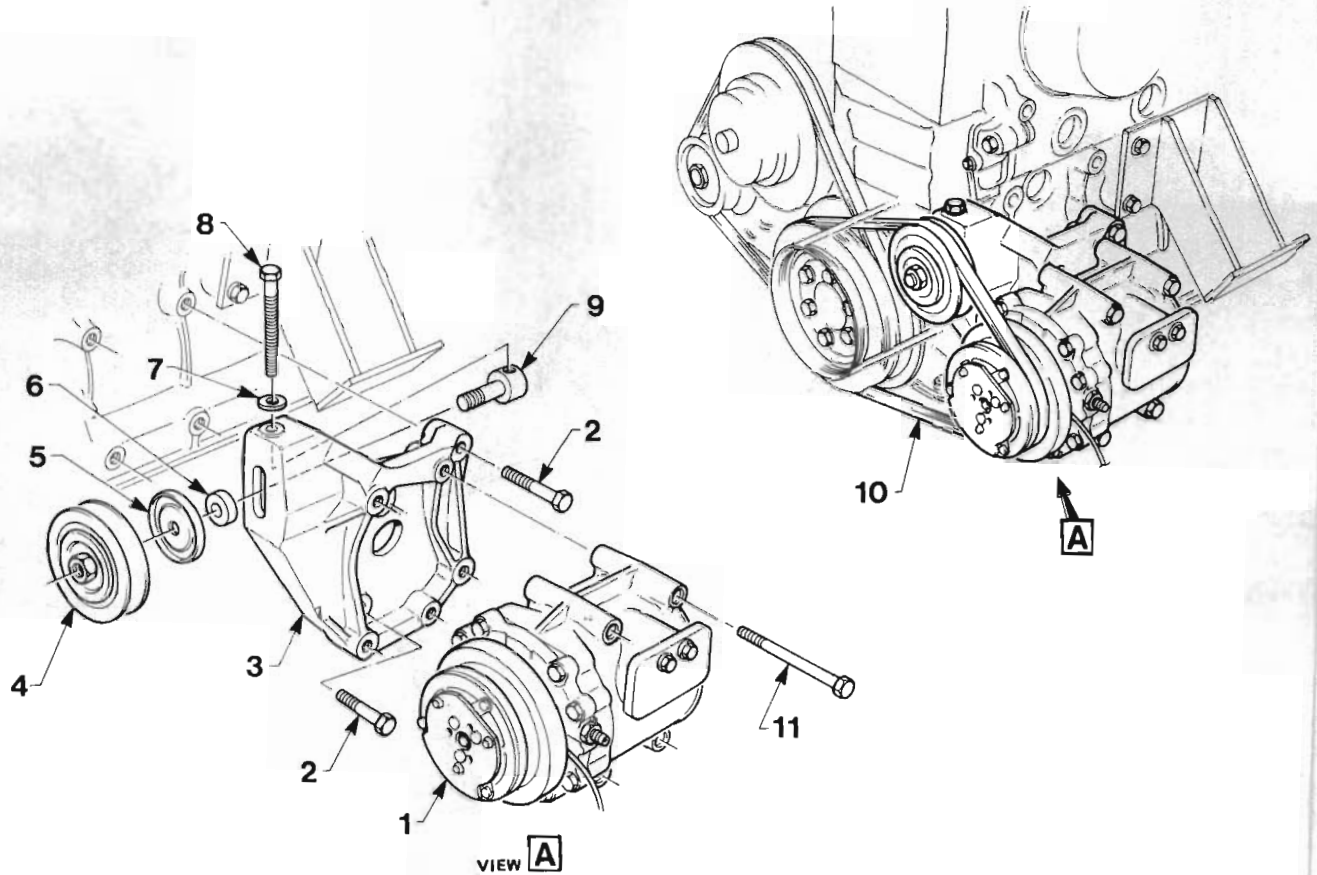
GROUP

9.000

AIR CONDITIONING

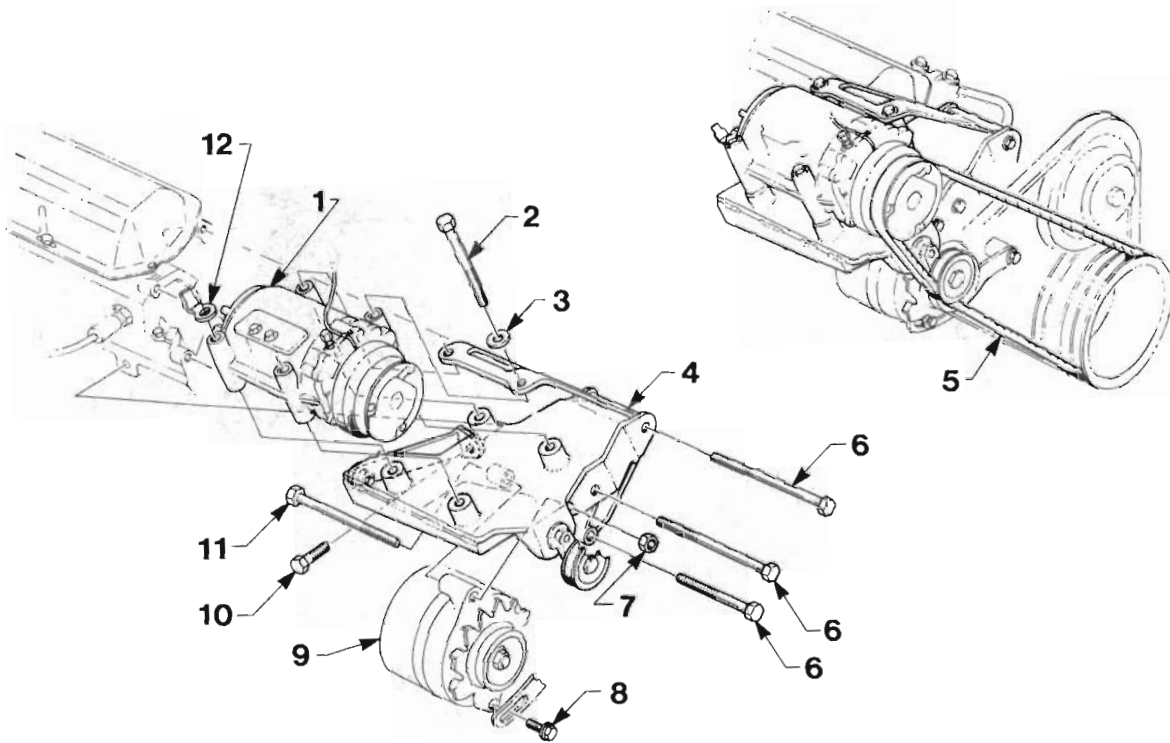
RADIO

INSTRUMENT CLUSTERS



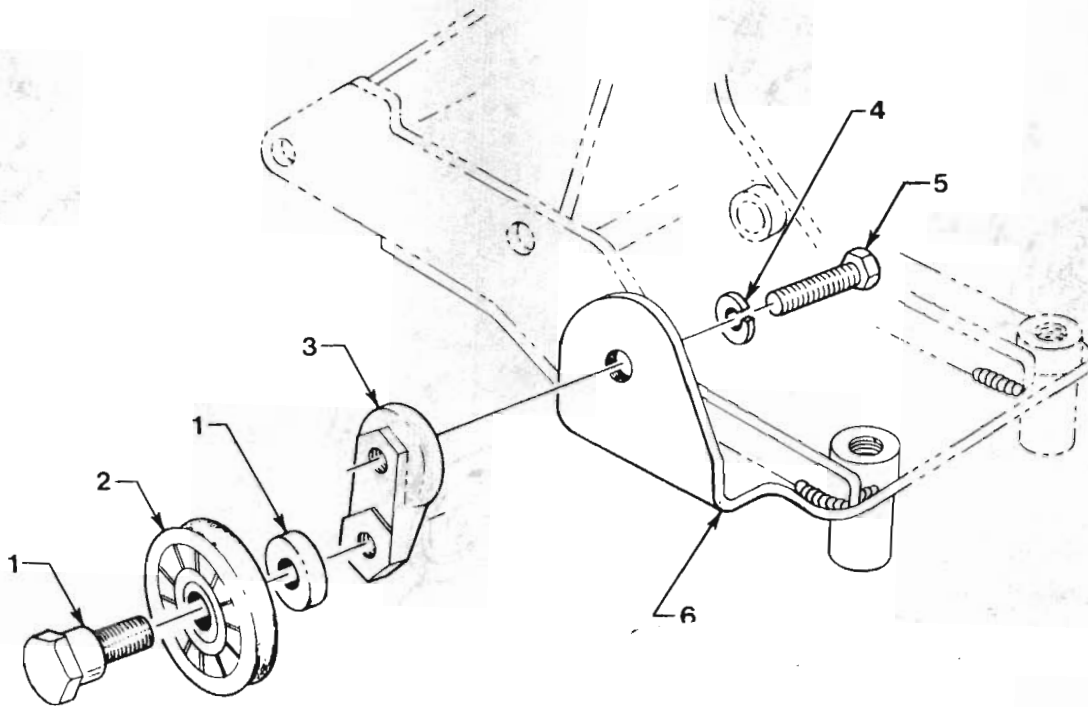
**AIR CONDITIONER COMPRESSOR MOUNTING
6 CYLINDER ENGINE
VL SERIES**

REF. NO.	PART NAME	GROUP
1	COMPRESSOR ASM.	9.170
2	BOLT - Bracket to engine.....	9.173
3	BRACKET ASM. - Compressor mounting.....	9.171
4	PULLEY ASM. - Idler.....	9.180
5	COVER - Idler pulley.....	9.181
6	SPACER - Idler pulley.....	9.181
7	WASHER - Idler pulley adjust.....	9.181
8	BOLT - Idler pulley adjust.....	9.181
9	BOLT - Idler pulley mounting.....	9.181
10	BELT - Compressor drive.....	1.066
11	BOLT - Compressor to bracket.....	9.173



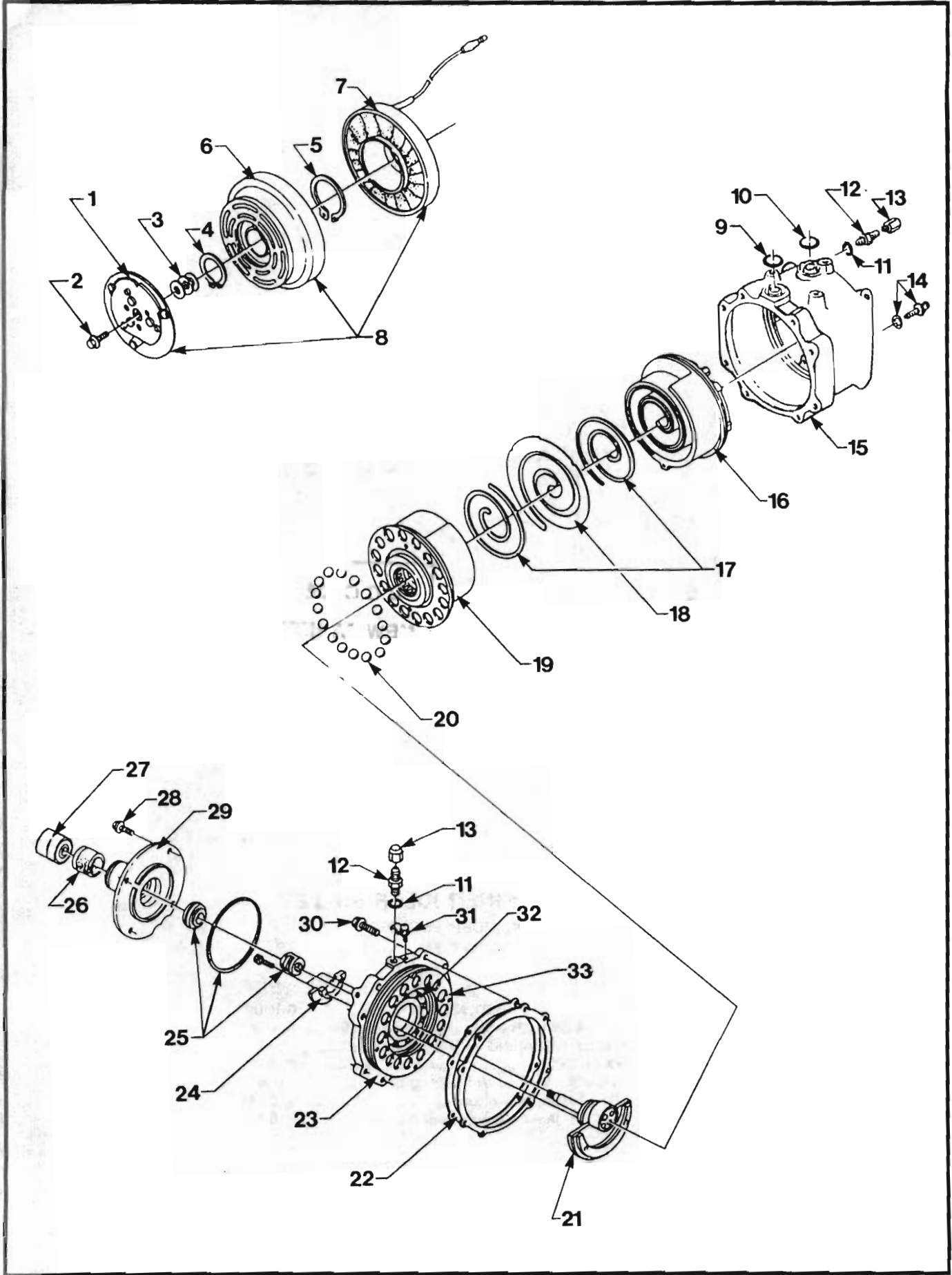
**AIR CONDITIONER COMPRESSOR MOUNTING
8 CYLINDER ENGINE
VL SERIES**

REF. NO.	PART NAME	GROUP
1	COMPRESSOR ASM	9.170
2	BOLT — Compressor to mounting bracket.....	9.173
3	WASHER - Compressor to mounting bracket.....	9.173
4	BRACKET ASM. - Compressor & alternator mounting.....	9.171
5	BELT - Compressor drive.....	1.066
6	BOLT - Compressor & alternator mounting bracket to cyl. head.....	9.173
7	NUT - Alternator pivot.....	2.277
8	BOLT & WASHER - Alternator adjusting	2.317
9	ALTERNATOR ASM.....	2.275
10	BOLT - Compressor & alternator bracket rear brace to engine.....	9.173
11	BOLT - Alternator pivot.....	2.277
12	TERMINAL - Low pressure cut-off switch harness.....	9.276



**AIR CONDITIONER IDLER PULLEY
8 CYLINDER ENGINE
VL SERIES**

REF. NO.	PART NAME	GROUP
1	BOLT & SPACER ASM. - Pulley to eccentric.....	9.181
2	PULLEY & BEARING ASM. - Idler.....	9.181
3	ECCENTRIC.....	9.181
4	WASHER - Idler pulley mounting bolt.....	N.S.
5	BOLT - Idler pulley mounting.....	9.181
6	BRACKET ASM. - Compressor mounting.....	9.171



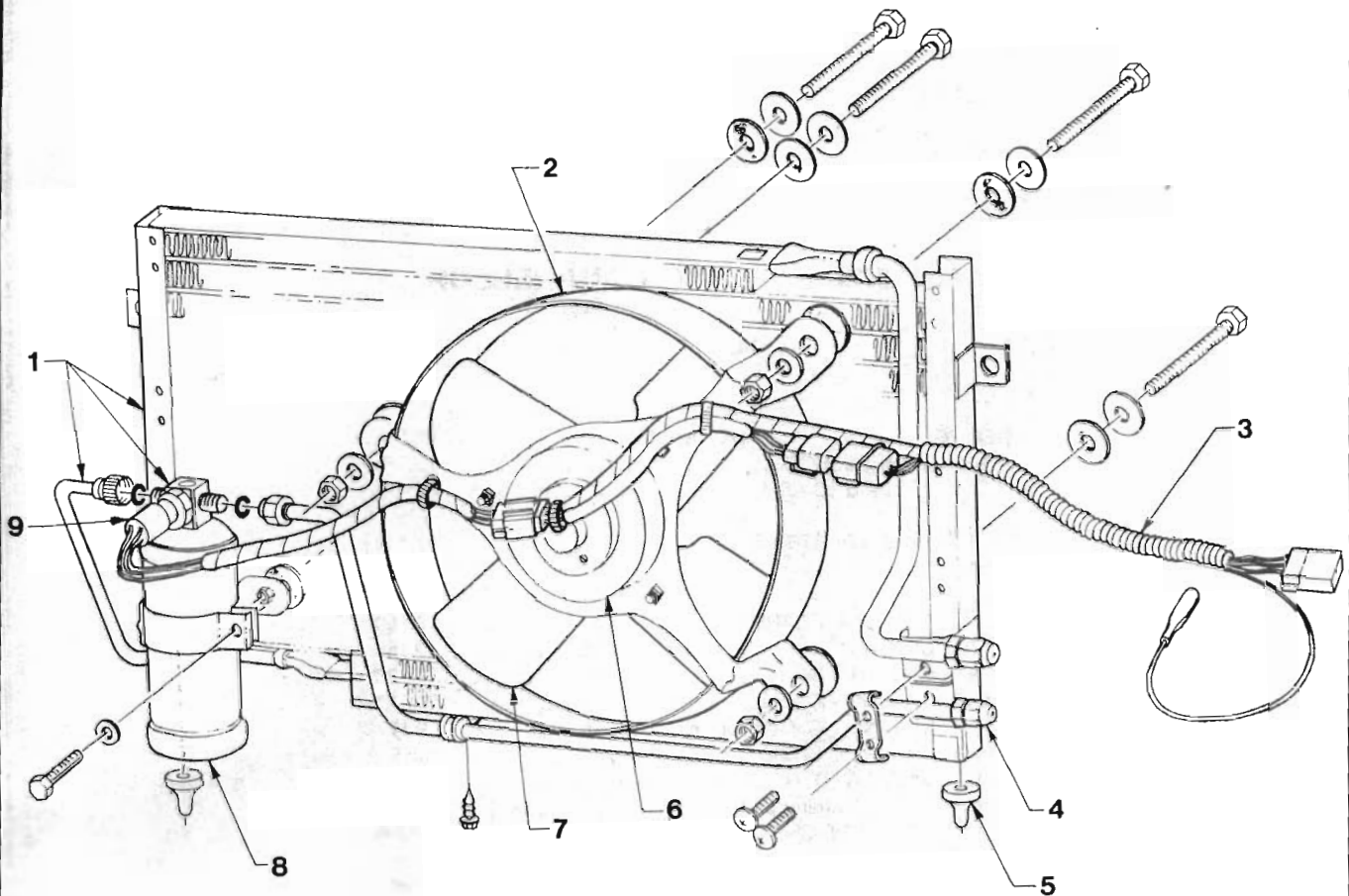


**AIR CONDITIONING COMPRESSOR
SANDEN TR-70
VL SERIES**

ILLUSTRATION OPPOSITE

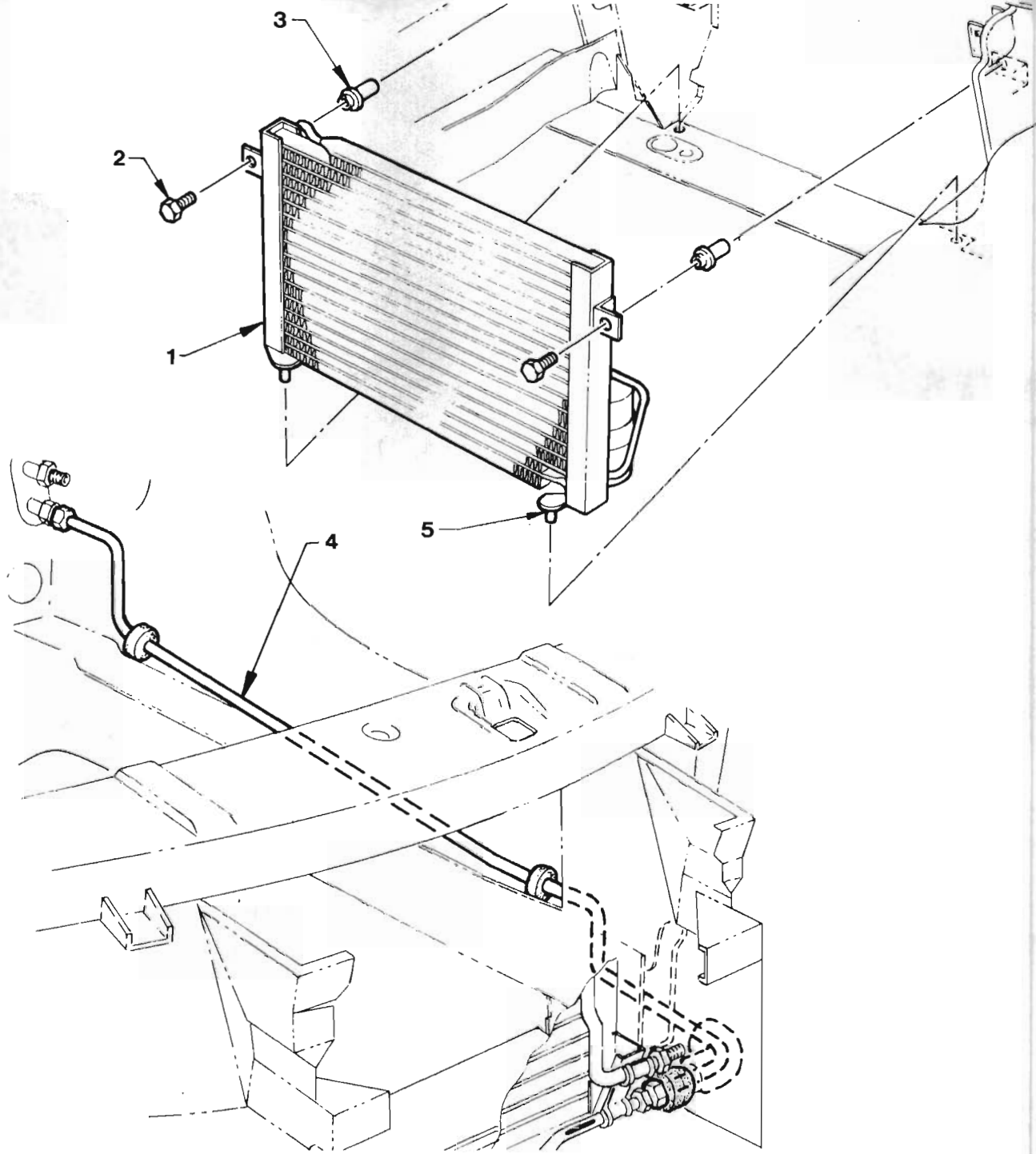
REF. NO.	PART NAME	GROUP
1-33	COMPRESSOR	9.170
1	ARMATURE ASM	NSS
2	SMALL PARTS KIT	9.188
3		
4		
5		
6	PULLEY & BEARING ASM.	9.180
7	COIL ASM.	9.186
8	CLUTCH ASM.	9.188
9(A)	'O' RING - Compressor suction	9.177
10(A)	'O' RING - Compressor discharge	9.177
11(A)	'O' RING - Charging port	NSS
12	VALVE & 'O' RING - Charging port	9.177
13	CAP - Charging port	9.177
14	BOLT & WASHER - Spiral attaching	NSS
15	CASING	NSS
16	SPIRAL ASM. - Fixed	NSS
17	TIP SEAL	NSS
18	PLATE - Anti wear	NSS
19	SPIRAL ASM. - Orbiting	NSS
20	BALL - Steal	NSS
21	CRANKSHAFT & COUNTER WEIGHT ASM.	NSS
22	SHIMS	NSS
23	PLATE ASM. - Front end	NSS
24	WEIGHT - Shaft balance	NSS
25(A)	SEAL ASM. - Shaft	NSS
26	SPACER - Shaft	NSS
27	BEARING - Shaft front	NSS
28	BOLT & WASHER - Front base to front end plate	NSS
29	BOSS - Front	NSS
30	BOLT & WASHER - Front end plate to casing ...	NSS
31	SCREW & CLAMP - Cable	NSS
32	BEARING - Shaft rear	NSS
33	RING - Ball coupling	NSS

NOTE:- (A Parts included in 'O' Ring Kit. Refer Group 9.175



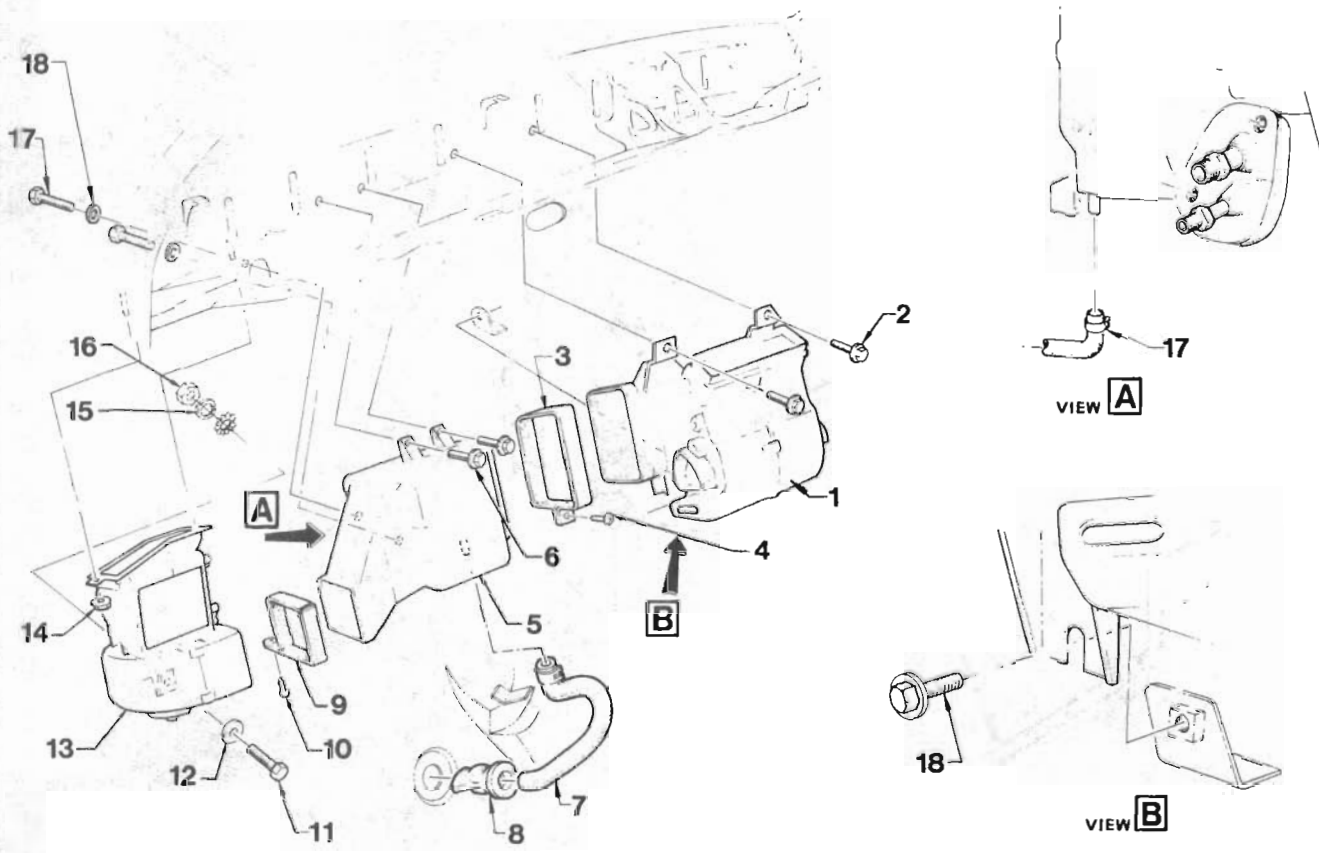
**CONDENSER, RECEIVER & DEHYDRATOR
VL SERIES**

REF. NO.	PART NAME	GROUP
1	CONDENSER, RECEIVER & DEHYDRATOR ASM.	9.190
2	SHROUD - Air conditioner condenser fan.....	1.055
3	HARNESS ASM. - Fan motor & receiver dehydrator	1.055
4	TUBE ASM. - Condenser bracket to receiver dehydrator	9.220
5	INSULATOR - Mounting lower.....	9.190
6	MOTOR ASM. - Air conditioner condenser fan...	1.055
7	FAN BLADE - Air conditioner condenser fan.....	1.055
8	RECEIVER & DEHYDRATOR ASM.	9.195
9	SWITCH & LEAD ASM. - High/Low pressure.....	9.275



**CONDENSER & REFRIGERANT TUBE
AIR CONDITIONER
VL SERIES**

REF. NO.	PART NAME	GROUP
1	CONDENSER, RECEIVER & DEHYDRATOR ASM.....	9.190
2	BOLT - Condenser to radiator side support.....	9.190
3	NUT - Condenser to radiator side support.....	9.190
4	TUBE ASM. - Condenser to evaporator inlet.....	9.220
5	INSULATOR - Condenser lower mounting.....	9.190

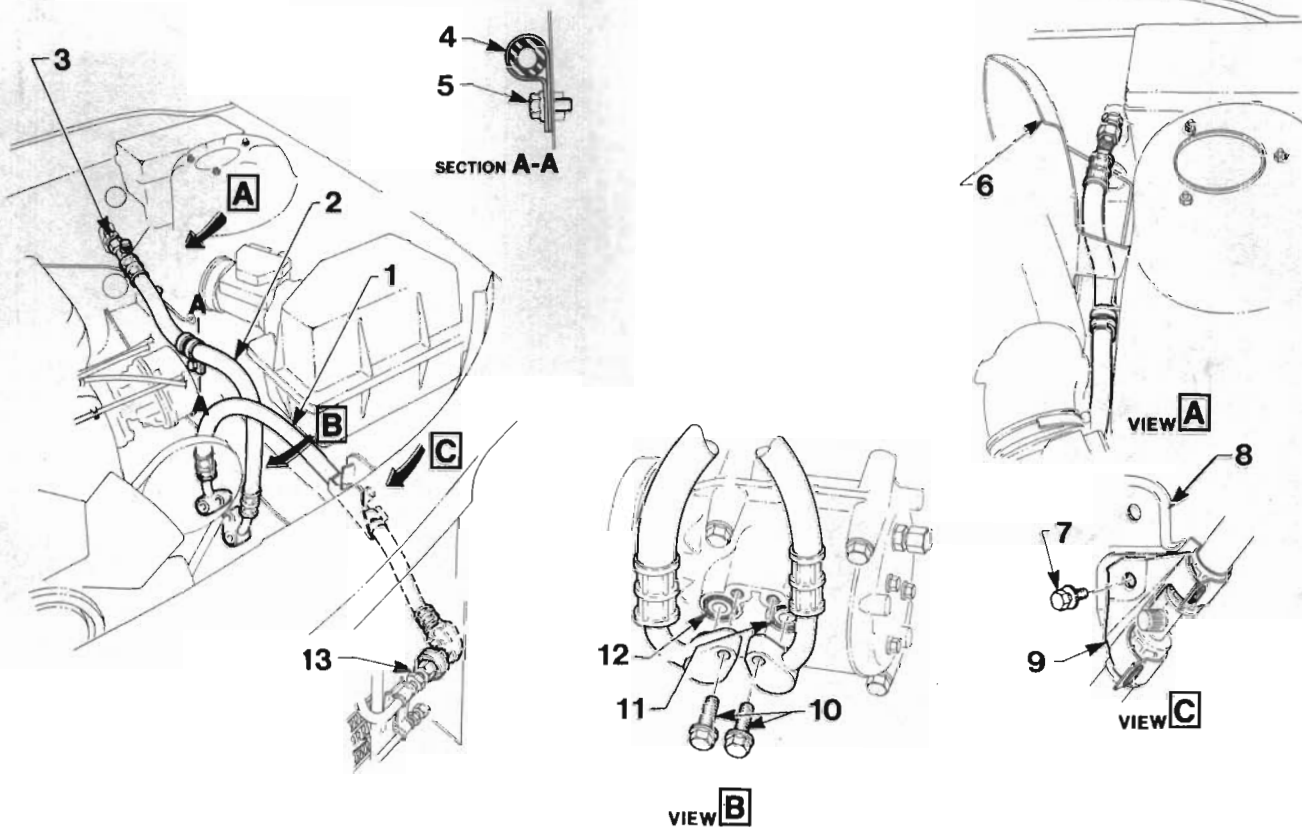


BLOWER, EVAPORATOR & HEATER
AIR CONDITIONER
VL SERIES

REF. NO.	PART NAME	GROUP
1	HOUSING, MOTOR & IMPELLER ASM. - Heater.....	9.215
2	BOLT - Heater to reinforcement - Dash panel....	8.854
3	CLAMP ASM. - Evaporator to heater.....	9.211
4	SCREW - Clamp asm.....	9.211
5	EVAPORATOR ASM. - Air conditioner.....	9.210
6	BOLT - Evaporator to reinforcement.....	9.211
7	HOSE ASM. - Air conditioner water drain.....	9.211
8	VALVE - Air conditioner drain hose.....	9.211
9	CLAMP ASM. - Blower to evaporator - Lower....	9.215
10	SCREW - Clamp asm.....	9.215
11	BOLT - Air conditioner evaporator blower housing to dash panel.....	9.215
12	WASHER - Air conditioner evaporator blower housing to dash panel.....	9.215
13	HOUSING MOTOR & IMPELLER ASM. - Air conditioner evaporator blower.....	9.215
14	NUT - Air conditioner evaporator blower housing to dash panel.....	9.215
15	WASHER - Air conditioner evaporator blower housing to dash panel.....	9.215
16	NUT - Air conditioner evaporator blower housing to dash panel.....	9.215
17	BOLT - Evaporator to dash panel.....	9.211
18	WASHER - Dash panel to evaporator.....	9.211



"V" SERIES PARTS CATALOGUE

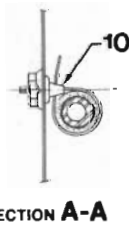
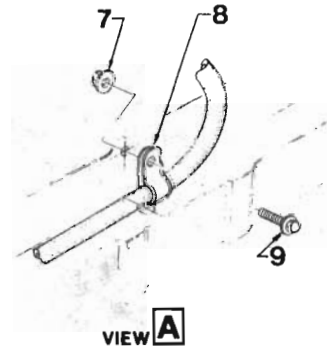
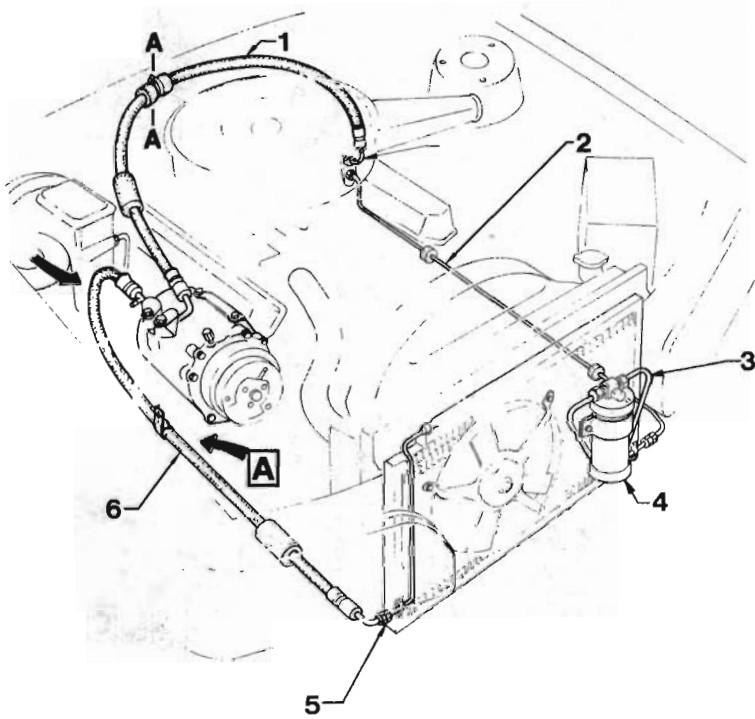


REFRIGERANT HOSES

6 CYLINDER ENGINE

VL SERIES

REF. NO.	PART NAME	GROUP
1	HOSE ASM. - Compressor to condenser	9.225
2	HOSE ASM. - Evaporator to compressor	9.225
3	'O' RING - Evaporator outlet	9.222
4	CLAMP - Hose asm. to front member	9.242
5	SCREW - Clamp to front member	9.242
6	PANEL - Heat shield	8.153
7	SCREW - Retainer to bracket	9.242
8	BRACKET - Mounting, Compressor & condenser hose	9.242
9	RETAINER - Compressor to condenser hose.....	9.242
10	BOLT - Refrigerant hoses to compressor.....	9.222
11	'O' RING - Compressor discharge	9.177
12	'O' RING - Compressor suction	9.177
13	'O' RING - Condenser inlet.....	9.222



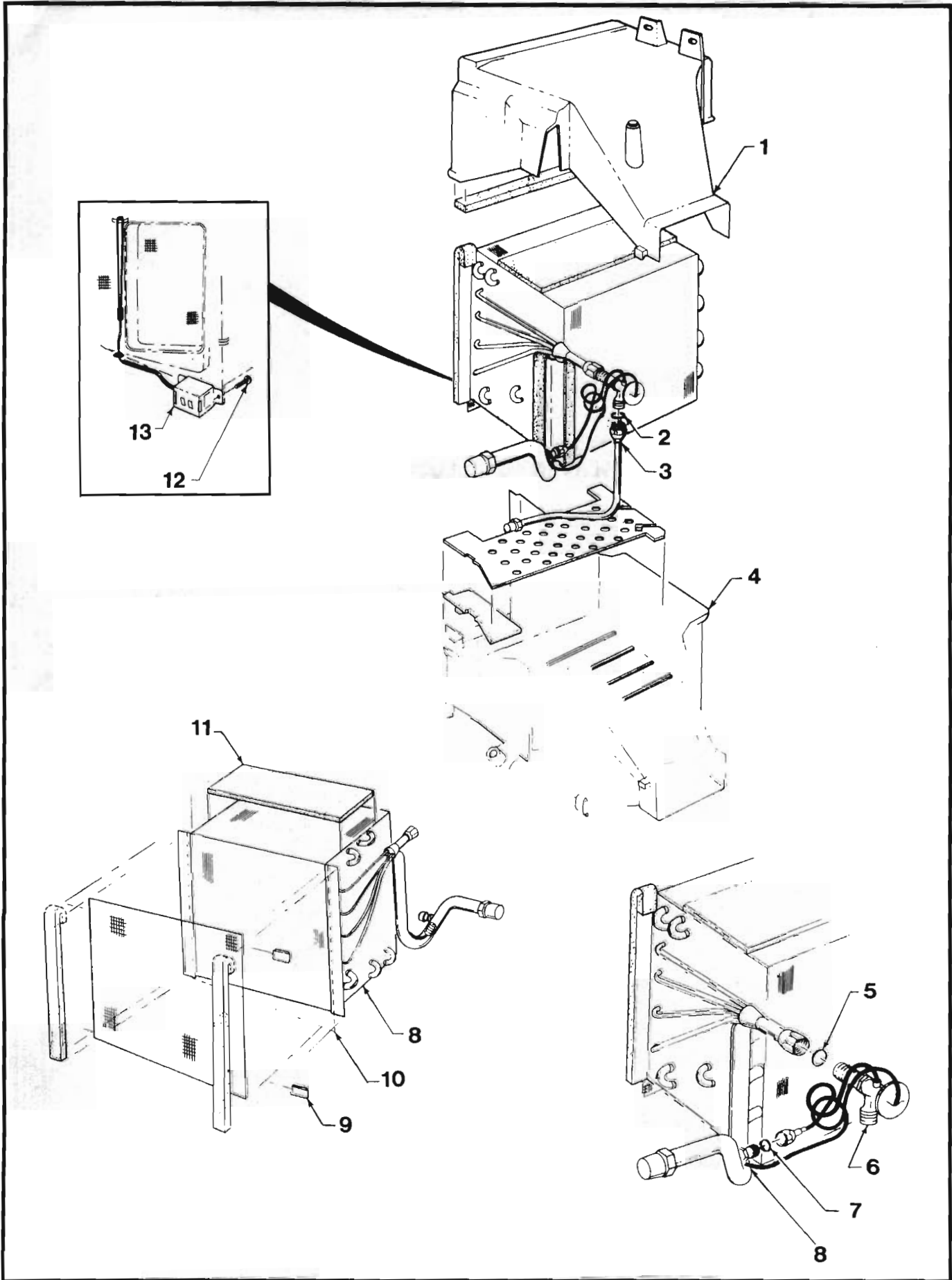
**REFRIGERANT HOSES
AIR INTERNATIONAL AIR CONDITIONER
8 CYLINDER ENGINE
VL SERIES**

REF. NO.	PART NAME	GROUP
1	HOSE - Evaporator to compressor.....	9.225
2	TUBE ASM. - Condenser to evaporator inlet.....	9.220
3	TUBE ASM. - Condenser bracket to receiver dehydrator	9.220
4	RECEIVER & DEHYDRATOR ASM.....	9.195
5	'O' RING - Condenser inlet .426".I.D.....	9.222
6	HOSE ASM. - Compressor to condenser	9.225
7	NUT - Refrigerant hose clamp to fender skirt	9.242
8	CLAMP - Refrigerant hose to fender skirt.....	9.242
9	BOLT - Refrigerant Hose clamp to fender skirt...	9.242
10	STRAP - Refrigerant hose support.....	9.242



"V" SERIES PARTS CATALOGUE

RESERVED FOR ILLUSTRATION

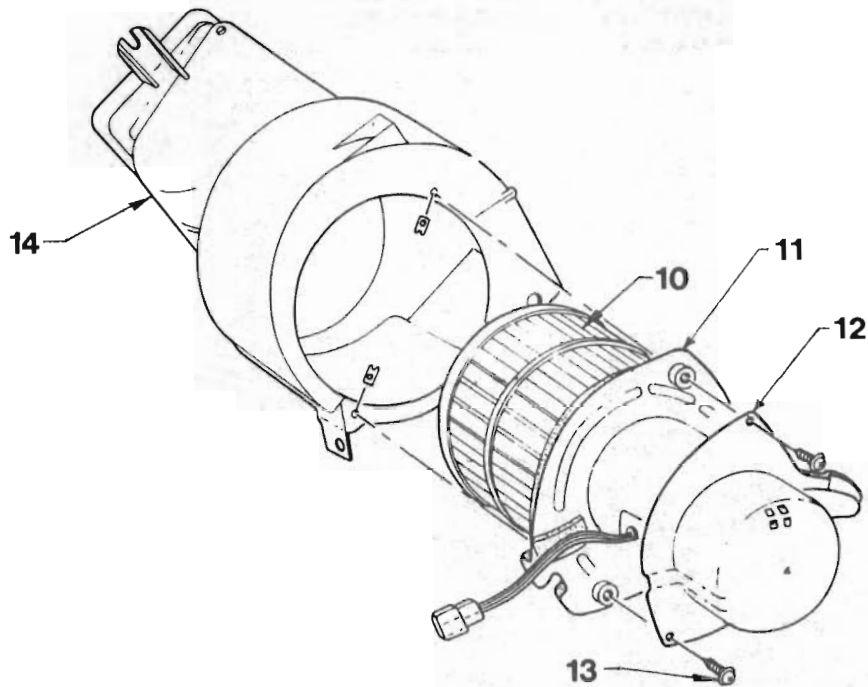
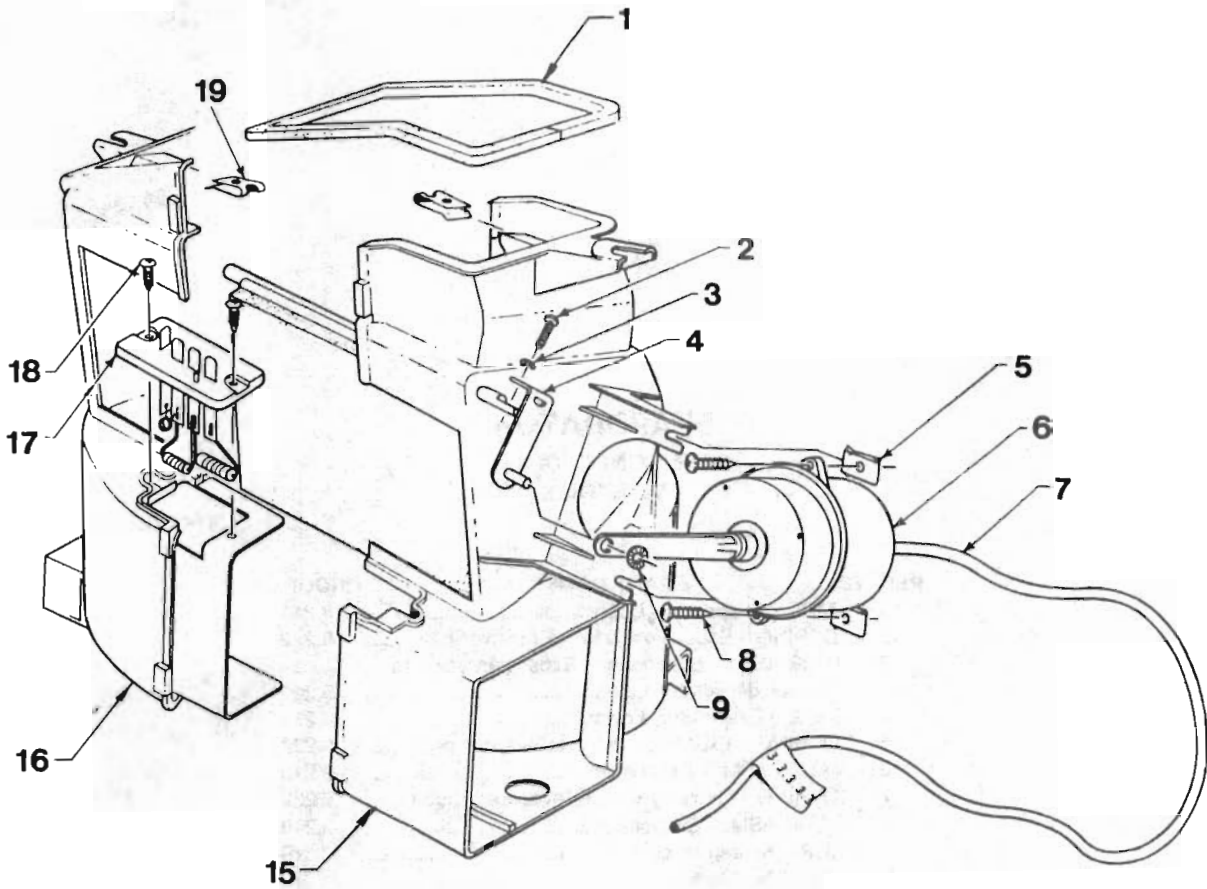




**EVAPORATOR
AIR CONDITIONER
VL SERIES**

ILLUSTRATION OPPOSITE

REF. NO.	PART NAME	GROUP
1	CASE - Evaporator, Upper.....	9.211
2	'O' RING - Expansion valve to receiver tube.....	9.222
3	TUBE ASM. - Evaporator - Expansion valve to receiver dehydrator tube.....	9.220
4	CASE - Evaporator, Lower.....	9.211
5	'O' RING - Expansion valve to evaporator.....	9.222
6	VALVE ASM. - Expansion.....	9.213
7	'O' RING - Capillary tube to evaporator tube.....	9.222
8	CORE ASM. - Evaporator.....	9.210
9	CLIP - Screen to core.....	NS
10	SCREEN - Core.....	NS
11	GASKET - Core.....	NS
12	BOLT - Thermostatic switch to evaporator.....	NS
13	THERMOSTATIC SWITCH & TUBE ASM. - Evaporator.....	9.275

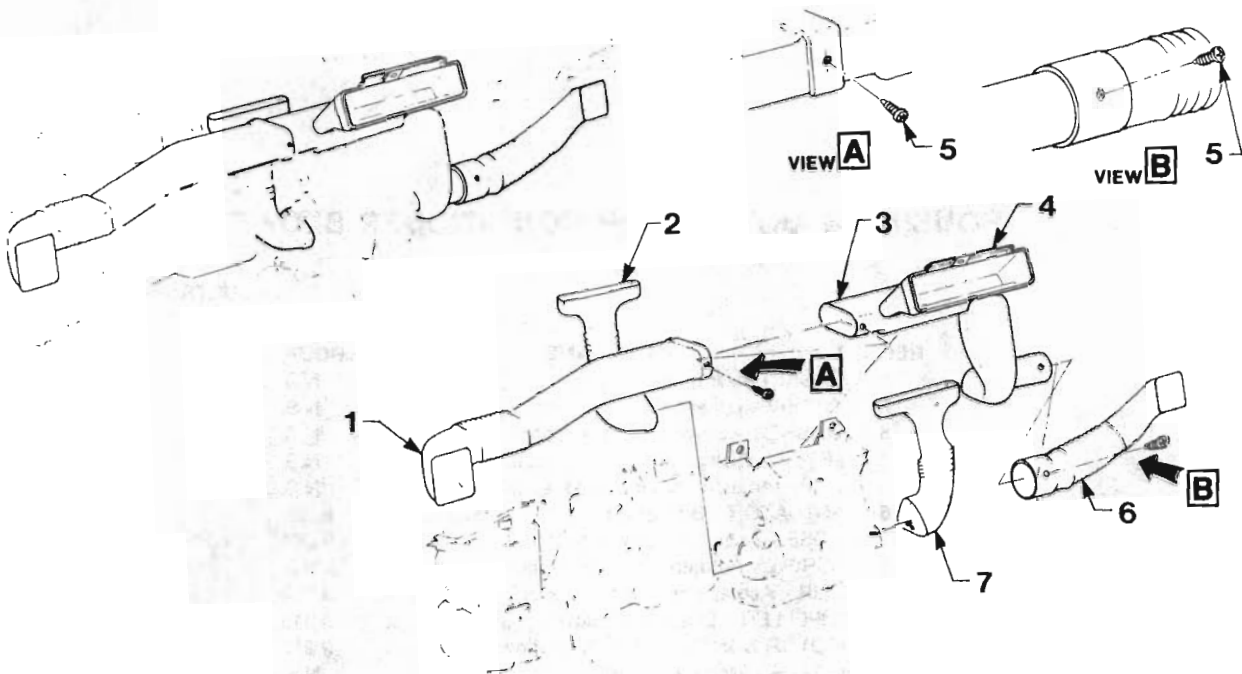




**HOUSING & MOTOR - AIR CONDITIONER BLOWER
VL SERIES**

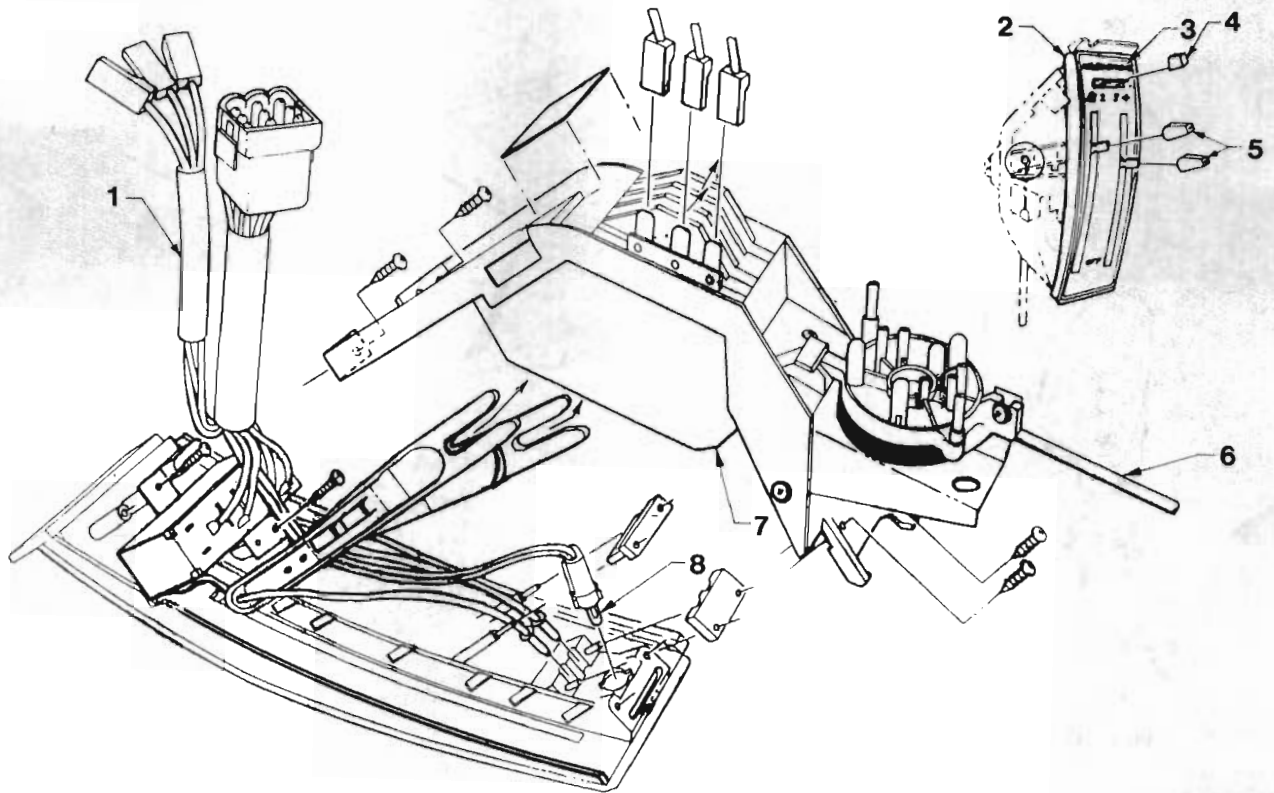
ILLUSTRATION OPPOSITE

REF. NO.	PART NAME	GROUP
1	GASKET - Air inlet	N.S.
2	SCREW - Lever to blower door	N.S.
3	WASHER - Lever to blower door.....	N.S.
4	LEVER - Blower door.....	N.S.
5	CLIP - Actuator to blower case.....	N.S.
6	ACTUATOR - Blower door	9.280
7	HOSE - Actuator, Blower door	9.281
8	SCREW - Actuator to blower case	N.S.
9	CLIP - Actuator to lever.....	9.779
10	IMPELLER - Evaporator blower.....	9.215
11	MOTOR & IMPELLER ASM. - Blower.....	9.215
12	COVER - Motor & impeller.....	N.S.
13	SCREW - Cover to motor.....	N.S.
14	HOUSING - Motor & impeller	N.S.
15	CASE - Blower, RH	8.857
16	CASE - Blower, LH.....	8.857
17	RESISTOR ASM. - Blower motor.....	9.215
18	SCREW - Resistor to blower case.....	N.S.
19	CLIP - Blower case	N.S.



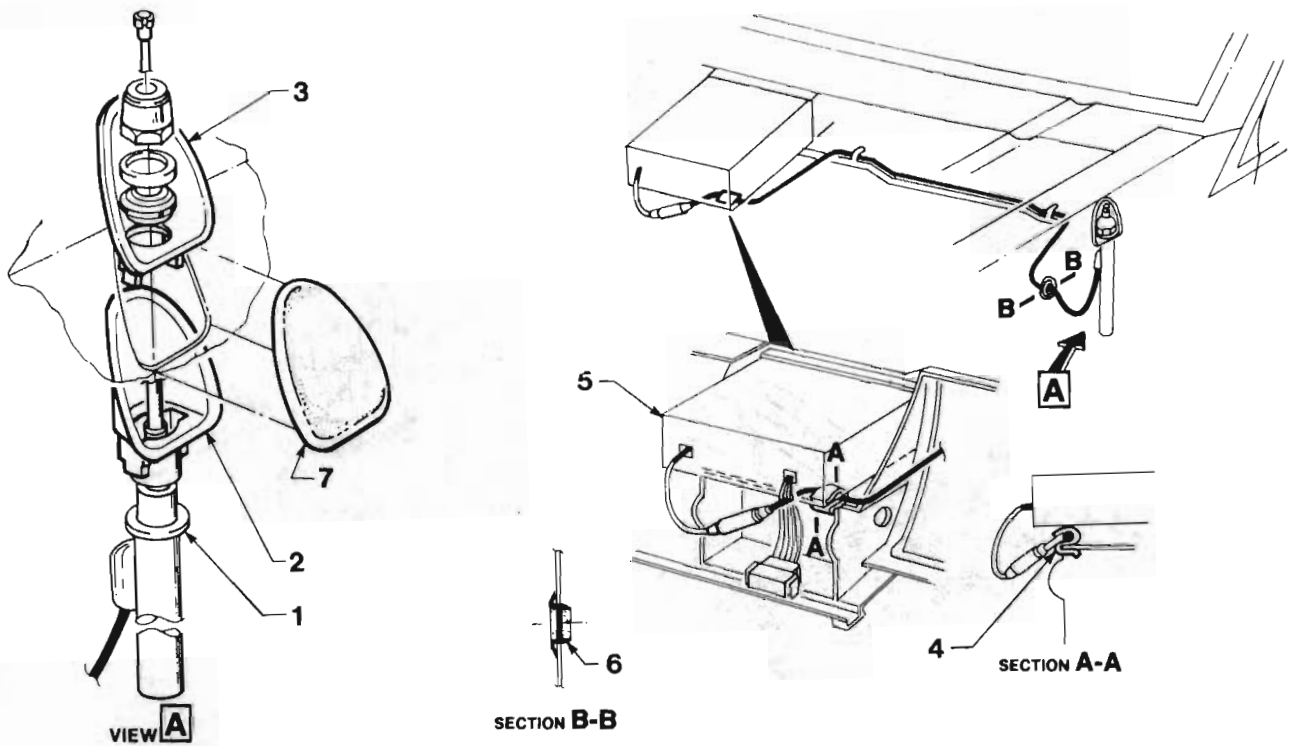
**AIR CONDITIONER DUCTING
VL SERIES**

REF. NO.	PART NAME	GROUP
1	DUCT - Air outlet - Outer, LH.....	9.262
2	DUCT - Demist, LH.....	9.779
3	DUCT - Centre duct to outer duct & blower.....	9.262
4	DUCT ASM. - Air outlet, Centre.....	9.262
5	SCREW - Air outlet duct centre.....	9.262
6	DUCT - Air outlet - Outer, RH.....	9.262
7	DUCT - Demist, RH.....	9.779



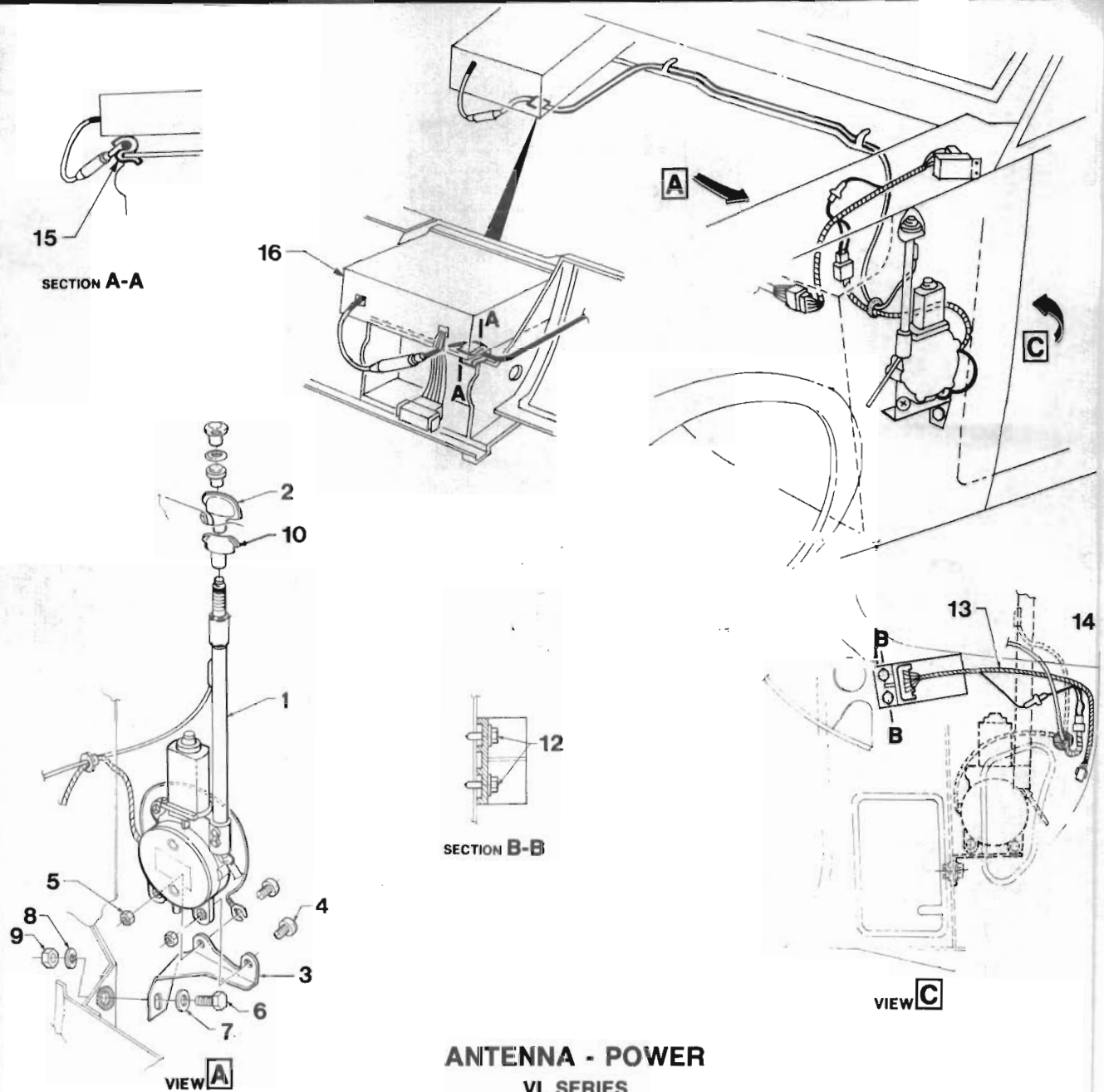
**AIR CONDITIONER CONTROL
VL SERIES**

REF. NO.	PART NAME	GROUP
1	SWITCH & HARNESS ASM. - Fan.....	9.275
2	CONTROL ASM. - Less cable.....	9.278
3	DECAL - Control.....	9.278
4	KNOB - Fan control.....	9.278
5	KNOB - Mode/Temp control.....	9.278
6	CABLE - Heat control.....	8.852
7	PRINTED CIRCUIT - Control.....	9.278
8	BULB - Control.....	9.278



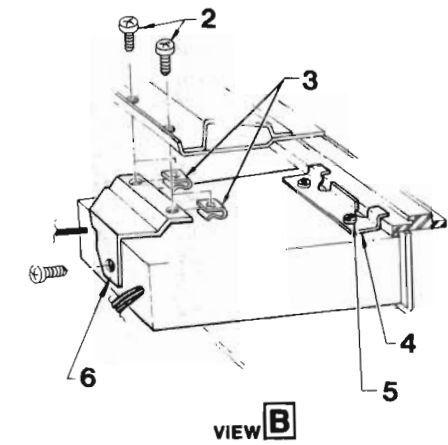
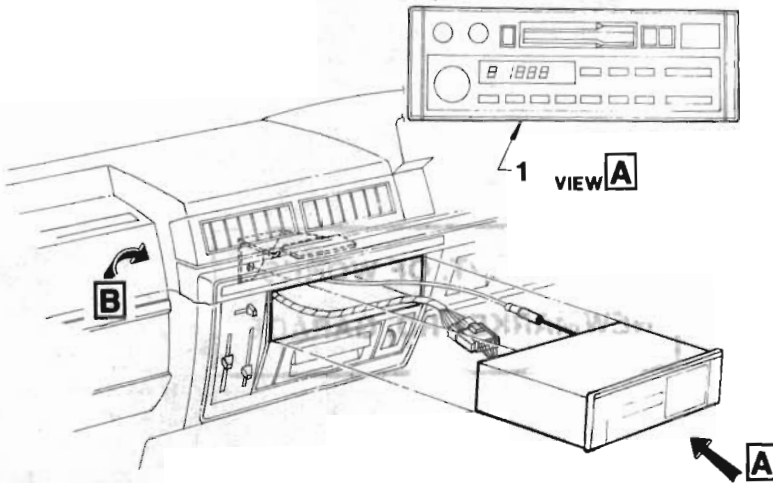
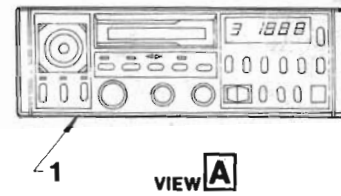
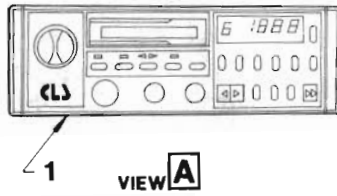
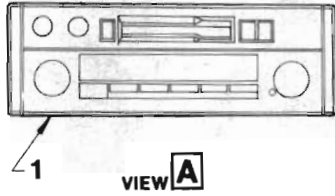
**ANTENNA - MANUAL
VL SERIES**

REF. NO.	PART NAME	GROUP
1	ANTENNA & LEAD IN ASM. - Pull top.....	9.645
2	BASE - Antenna bezel mount.....	9.647
3	BEZEL & SEAL ASM. - Antenna	9.647
4	CLIP - Antenna lead retaining	9.647
5	RADIO/STEREO CASSETTE PLAYER	9.650
6	PLUG - 16mm antenna lead hole (When radio not fitted).....	9.647
7	PLUG - Antenna hole - Fender (When radio not fitted).....	9.647



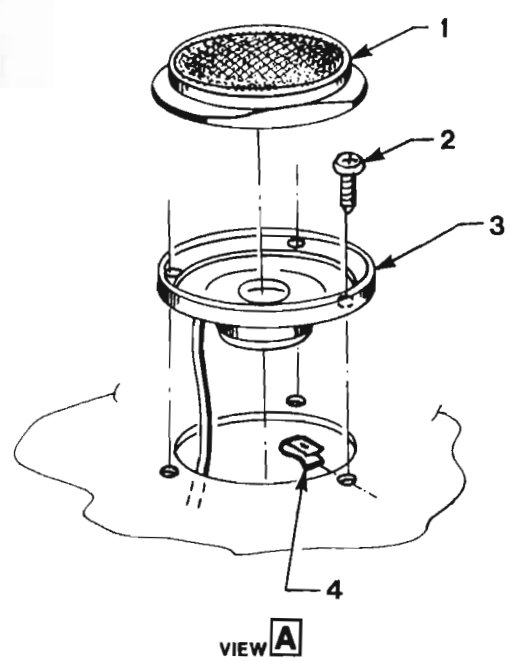
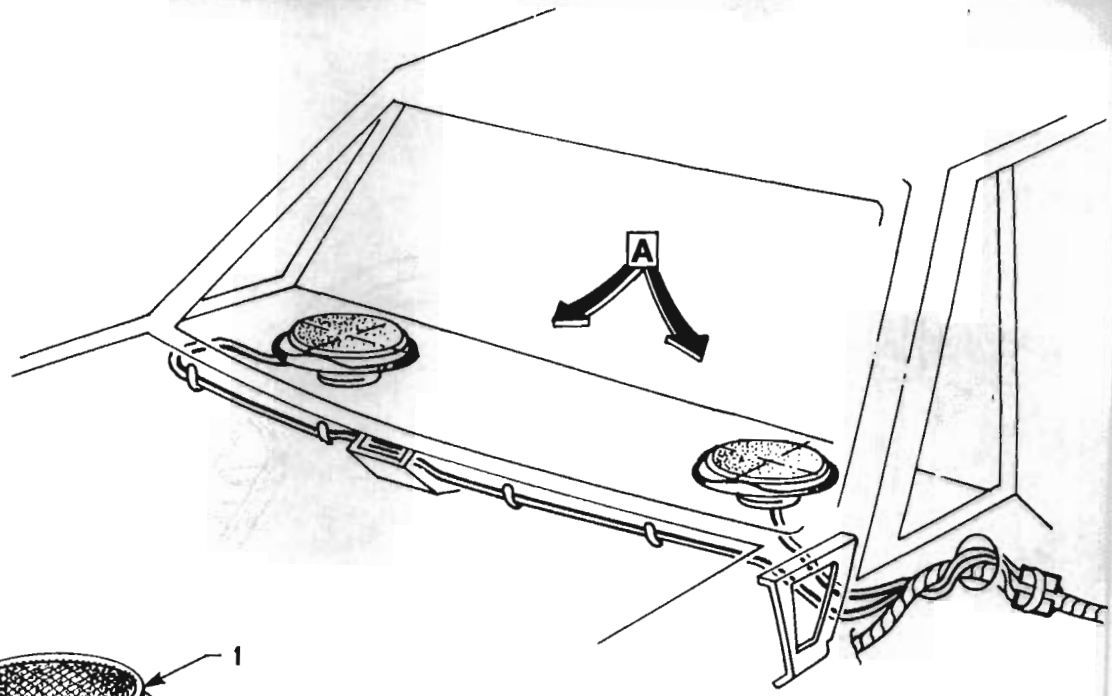
**ANTENNA - POWER
VL SERIES**

REF. N ^o .	PART NAME	GROUP
1	ANTENNA ASM. - Radio power.....	9.645
2	BEZEL & SEAL ASM. - Radio antenna	9.647
3	BRACE - Power antenna mounting	9.647
4	SCREW - Antenna to brace.....	9.647
5	NUT - Antenna to brace.....	9.647
6	BOLT - Antenna brace to fender skirt	9.647
7	WASHER - Flat, Antenna brace to fender skirt...	9.647
8	WASHER - Lock, Antenna brace to fender skirt.	9.647
9	NUT - Antenna brace to fender skirt.....	9.647
10	BASE - Bezel mount	9.647
11	MODULE - Power antenna electronic	9.647
12	SCREW - Antenna electronic module to trim	9.647
13	HARNESS ASM. - Power antenna.....	9.647
14	FUSE - 6 amp.....	9.647
15	CLIP - Antenna lead retaining	9.647
16	RADIO/CASSETTE PLAYER.....	9.650



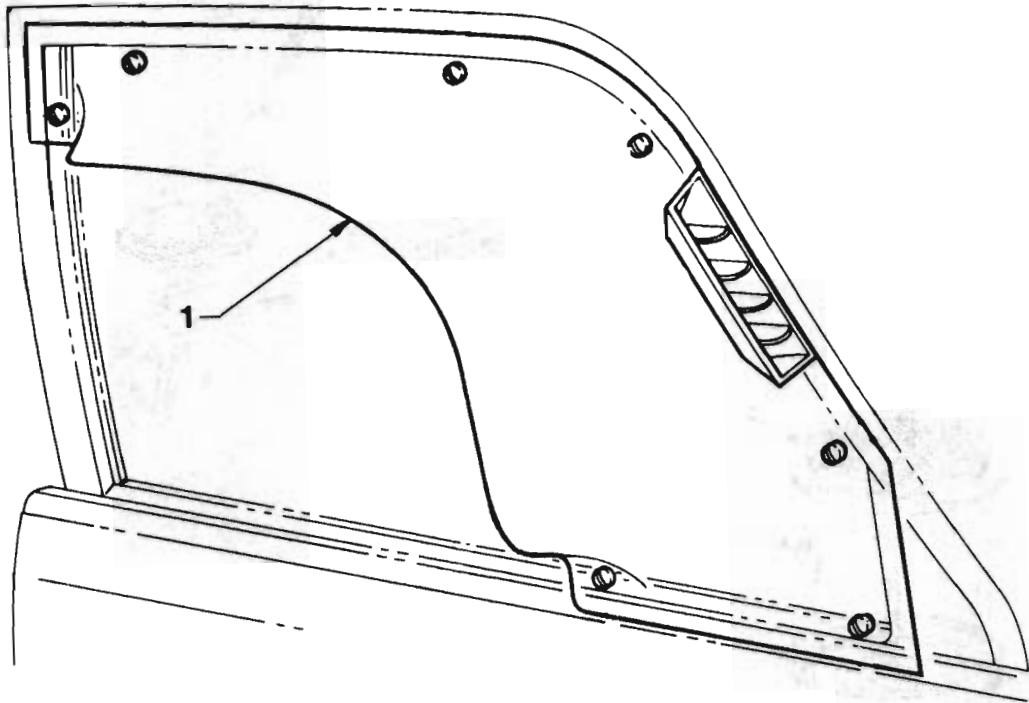
**RADIO CASSETTE PLAYER
VL SERIES**

REF. NO.	PART NAME	GROUP
1	RADIO/STEREO CASSETTE PLAYER.....	9.650
2	SCREW - Rear mounting bracket to instrument carrier.....	9.667
3	NUT - Rear mounting bracket to instrument carrier.....	9.667
4	BRACKET - Radio/Cassette mounting, Front.....	9.667
5	SCREW - Bracket to radio/cassette, Front.....	9.667
6	BRACKET - Radio/Cassette support, Rear.....	9.667



**SPEAKERS - REAR
VL SERIES**

REF. NO.	PART NAME	GROUP
1	GRILLE - Rear speaker	9.665
2	SCREW - Rear speaker mounting	9.665
3	SPEAKER & LEAD ASM. - Rear.....	9.665
4	NUT - Rear speaker mounting	9.665

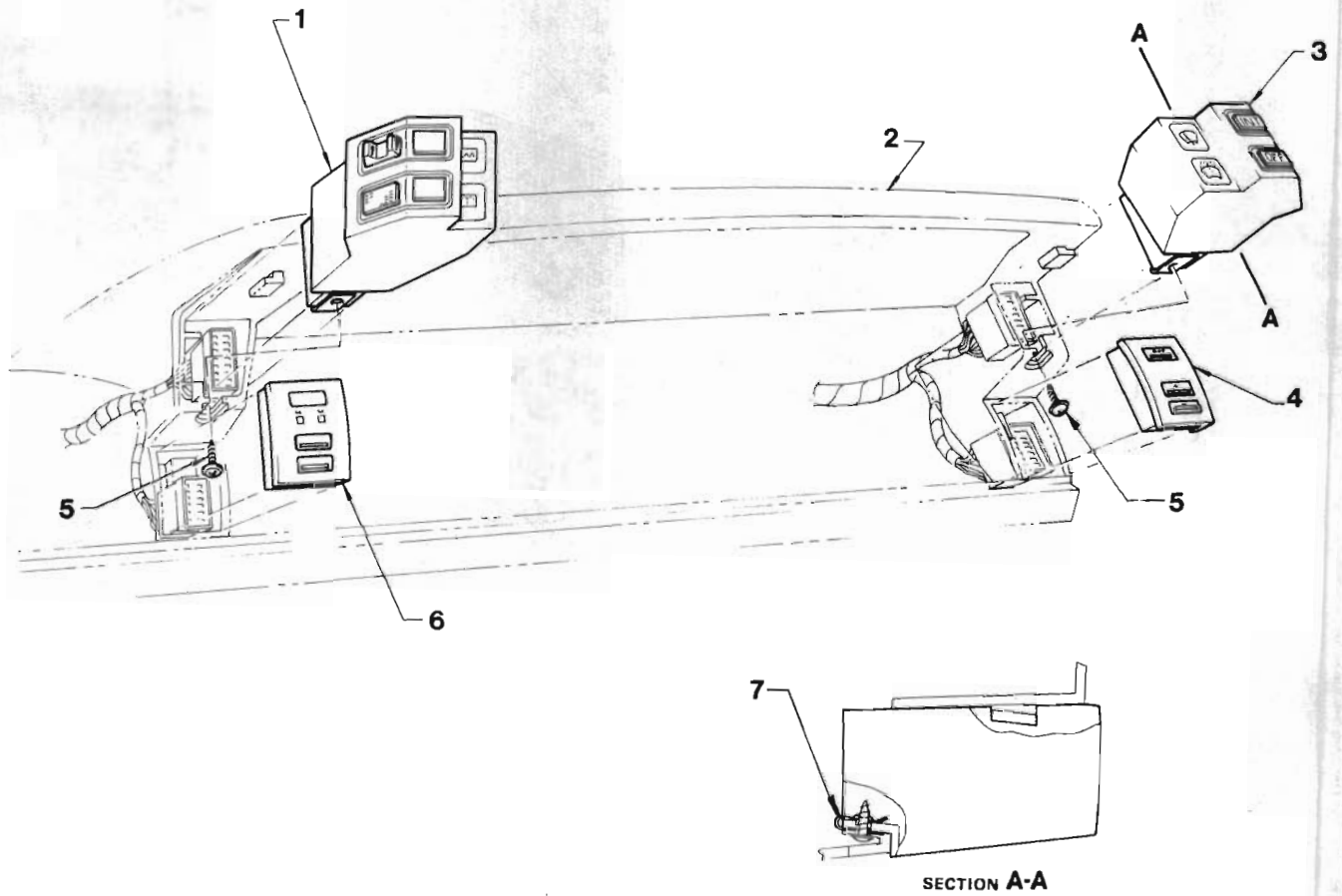


**WEATHERSHIELD
VL SERIES**

REF. NO.	PART NAME	GROUP
1	WEATHERSHIELD ASM.....	9.694

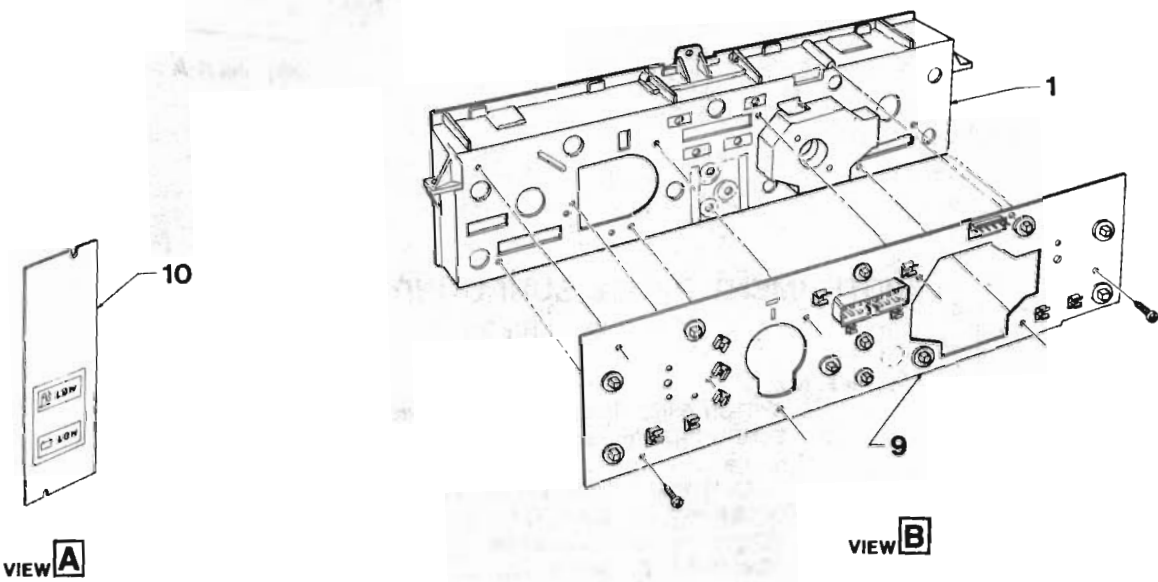
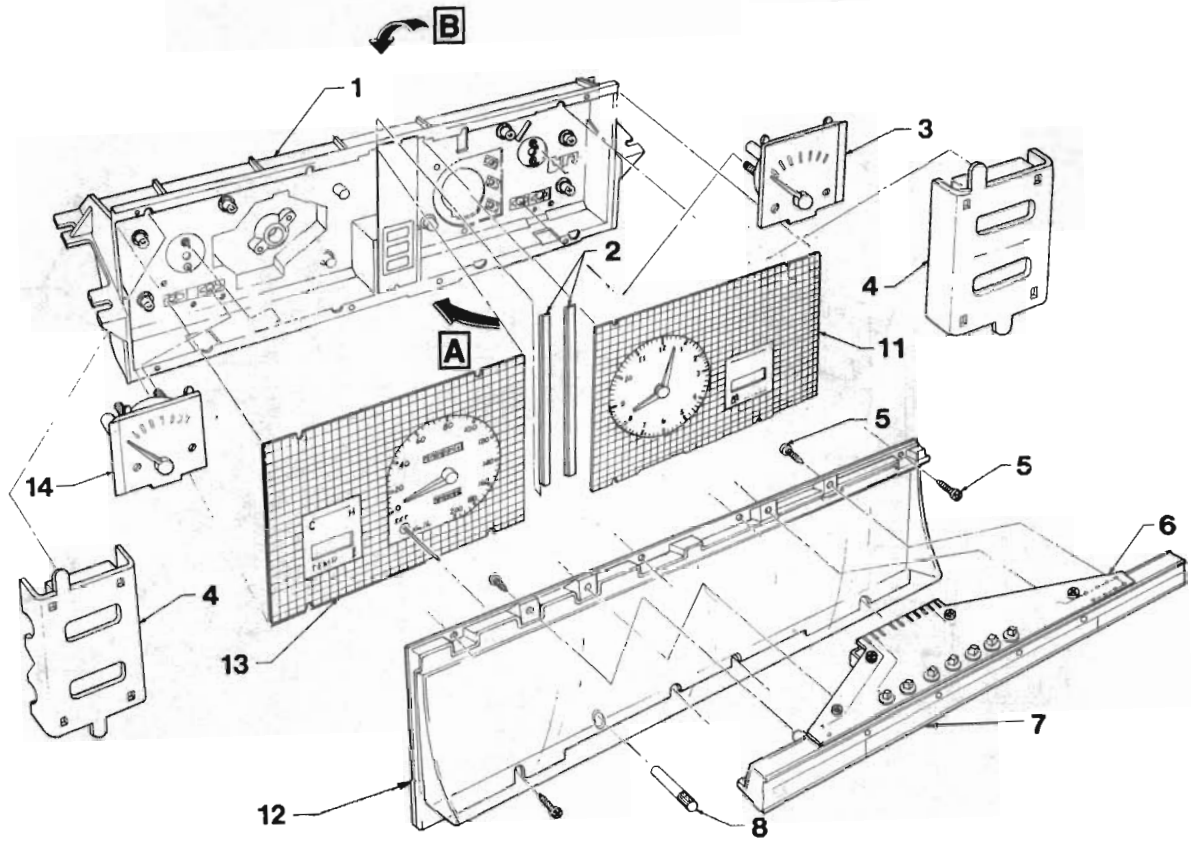


"V" SERIES PARTS CATALOGUE



INSTRUMENT PANEL SURROUND & SWITCHES VL SERIES

REF. NO.	PART NAME	GROUP
1	SWITCH ASM. - Instrument touch control LH.....	9.743
2	SURROUND - Instrument cluster & centre nozzle.....	9.743
3	SWITCH ASM. - Instrument touch control RH.....	9.743
4	COVER PLATE - Switch RH.....	9.743
5	SCREW - Switch to instrument cover	9.743
6	COVER PLATE - Switch LH.....	9.743
7	NUT - Switch to instrument cover	9.743





COMBINED INSTRUMENT

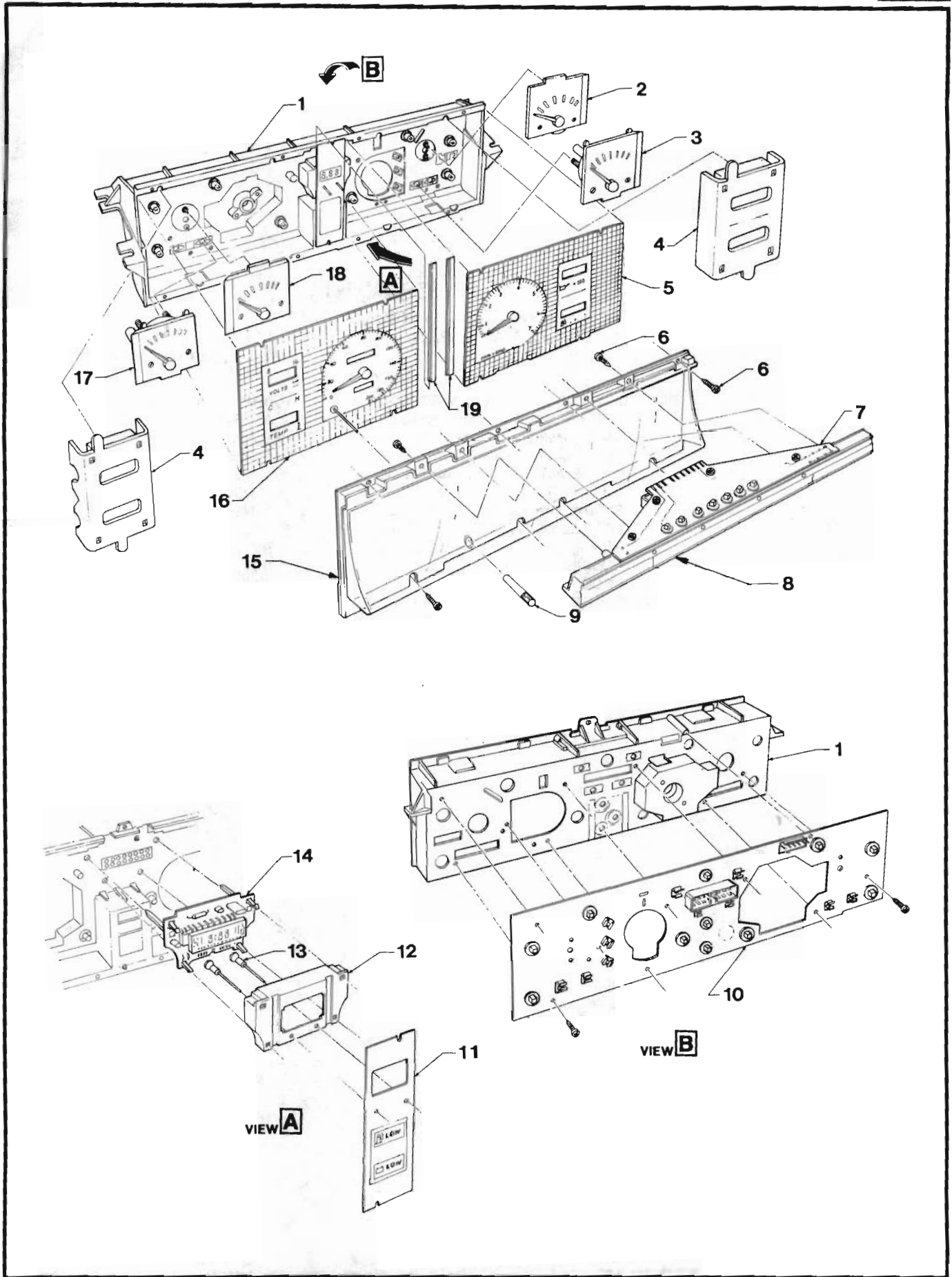
EXC. TACHOMETER

VL SERIES

ILLUSTRATION OPPOSITE

REF. NO.	PART NAME	GROUP
1-14	COMBINED INSTRUMENT ASM.....	9.735
1	CASE - Instrument support	9.743
2	SEAL - Central warning lens.....	9.765
3	GAUGE ASM. - Fuel, Instrument cluster	3.108
4	DUCT - Light	NS
5	SCREW - Instrument cluster.....	NS
6	PRINTED CIRCUIT BOARD - Warning lamp housing	9.765
7	HOUSING ASM. - Warning lamp.....	9.765
8	KNOB - Speedometer reset.....	9.761
9	PRINTED CIRCUIT BOARD - Instrument cluster	9.744
10	LENS - Instrument warning lamp, Centre	9.765
11	CLOCK ASM. - Analogue	9.772
12	MASK & LENS ASM.	9.748
13	SPEEDOMETER & TRIP METER ASM.....	9.761
14	GAUGE ASM. - Temperature, Instrument cluster	1.148

"V" SERIES PARTS CATALOGUE

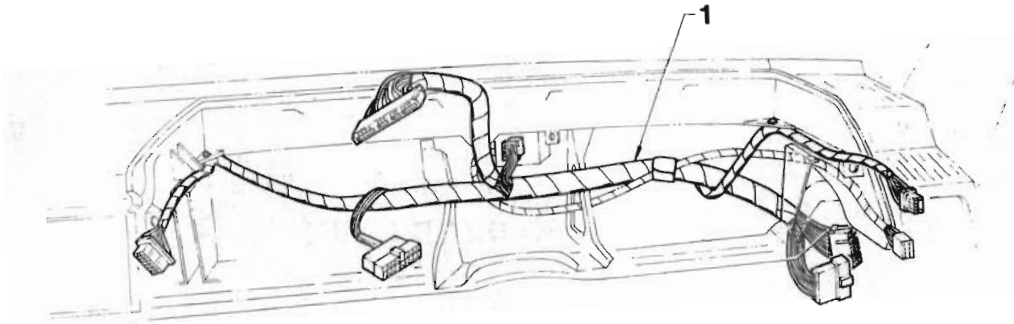




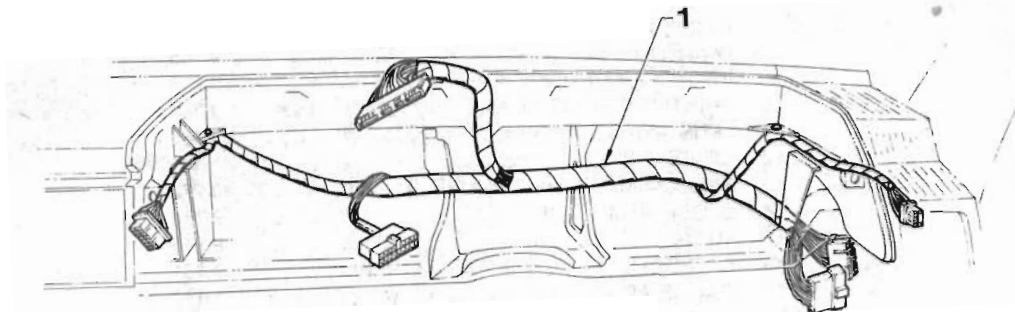
**COMBINED INSTRUMENT
WITH TACHOMETER
VL SERIES**

ILLUSTRATION OPPOSITE

REF. NO.	PART NAME	GROUP
1-19	COMBINED INSTRUMENT ASM.....	9.735
1	CASE - Instrument support.....	9.743
2	GAUGE ASM. - Oil, Instrument cluster.....	1.803
3	GAUGE ASM. - Fuel, Instrument cluster.....	3.108
4	DUCT - Light.....	NS
5	TACHOMETER ASM.....	9.750
6	SCREW - Instrument cluster.....	NS
7	PRINTED CIRCUIT BOARD - Warning lamp housing.....	9.765
8	HOUSING ASM. - Warning lamp.....	9.765
9	KNOB - Speedometer reset.....	9.761
10	PRINTED CIRCUIT BOARD - Instrument cluster	9.744
11	LENS - Instrument warning lamp, Centre.....	9.765
12	COVER - Clock.....	NS
13	KNOB ASM. - Reset, Digital clock.....	9.772
14	CLOCK ASM. - Digital.....	9.772
15	MASK & LENS ASM.....	9.748
16	SPEEDOMETER & TRIP METER ASM.....	9.731
17	GAUGE ASM. - Temperature, Instrument cluster	1.148
18	GAUGE ASM. - Voltmeter, Instrument cluster.....	2.515
19	SEAL - Central warning lens.....	9.765



WITH CRUISE CONTROL & POWER ANTENNA



CRUISE CONTROL & POWER ANTENNA

**INSTRUMENT HARNESS
VL SERIES**

REF. NO.	PART NAME	GROUP
1	HARNESS ASM. - Instrument cluster & switches.....	9.744



GROUP

10.000

WINDSHIELD

WIPERS & WASHERS

MIRRORS

CONSOLES

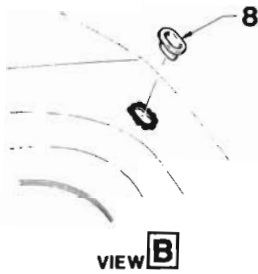
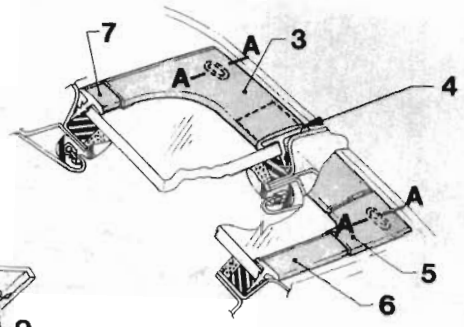
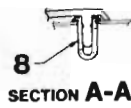
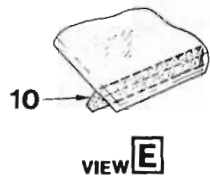
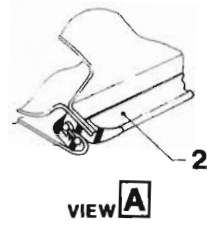
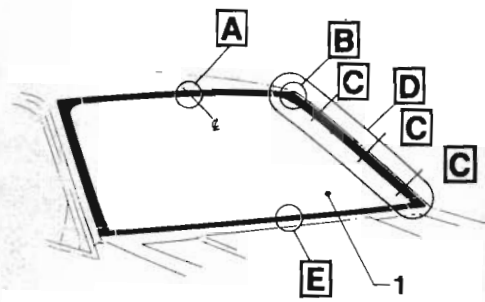
INSTRUMENT PANEL

HARDWARE

DOORS

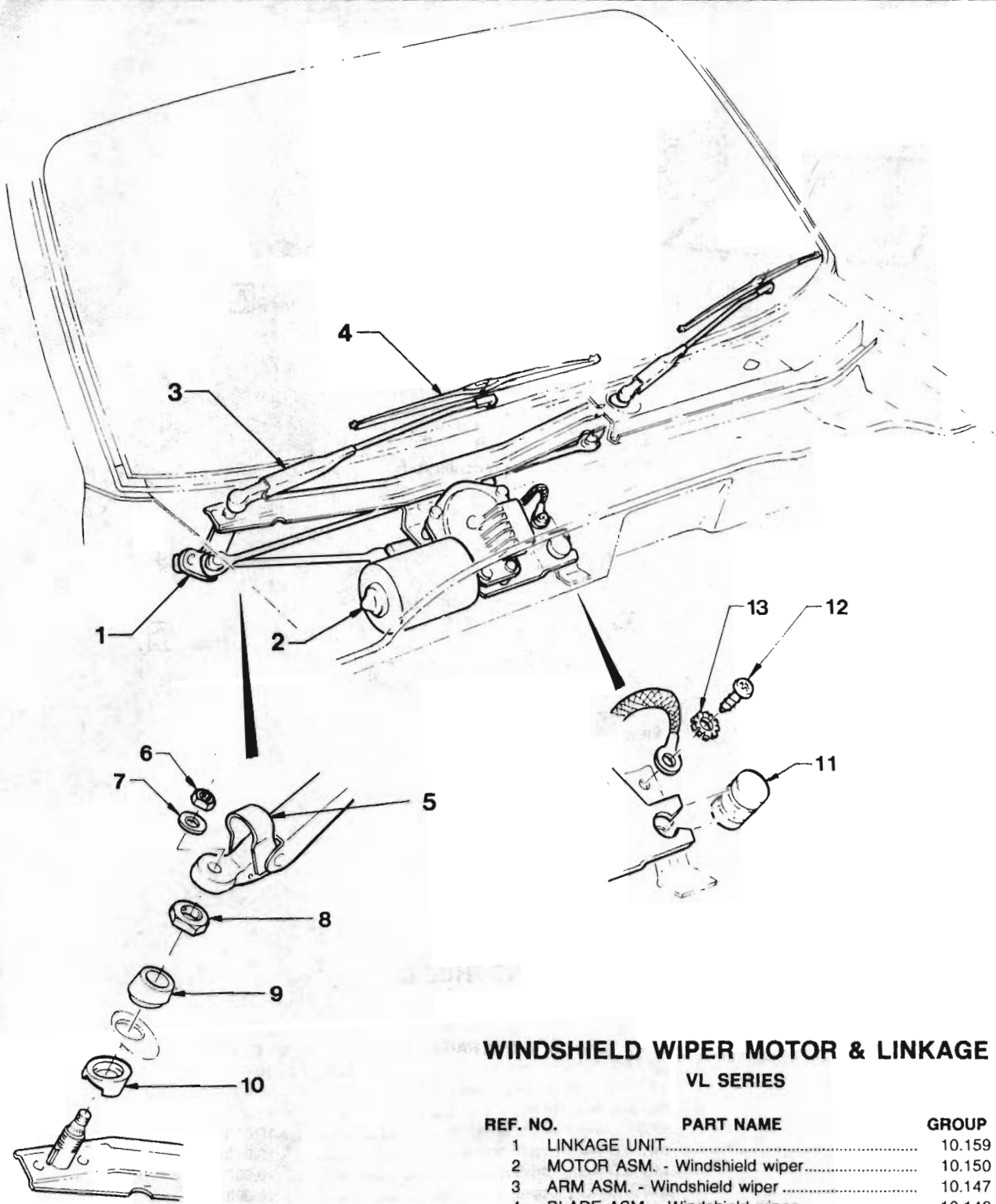


"V" SERIES PARTS CATALOGUE



WINDSHIELD VL SERIES

REF. NO.	PART NAME	GROUP
1	GLASS - Windshield.....	10.027
2	LACING - Windshield glass.....	10.092
3	MOULDING - Side.....	10.093
4	CLIP - Moulding attaching.....	10.093
5	MOULDING - Lower corner.....	10.093
6	MOULDING - Lower.....	10.093
7	MOULDING - Upper.....	10.093
8	GROMMET - Moulding attaching.....	10.093
9	CLIP - Moulding attaching.....	10.093
10	DAM - Windshield glazing.....	10.092

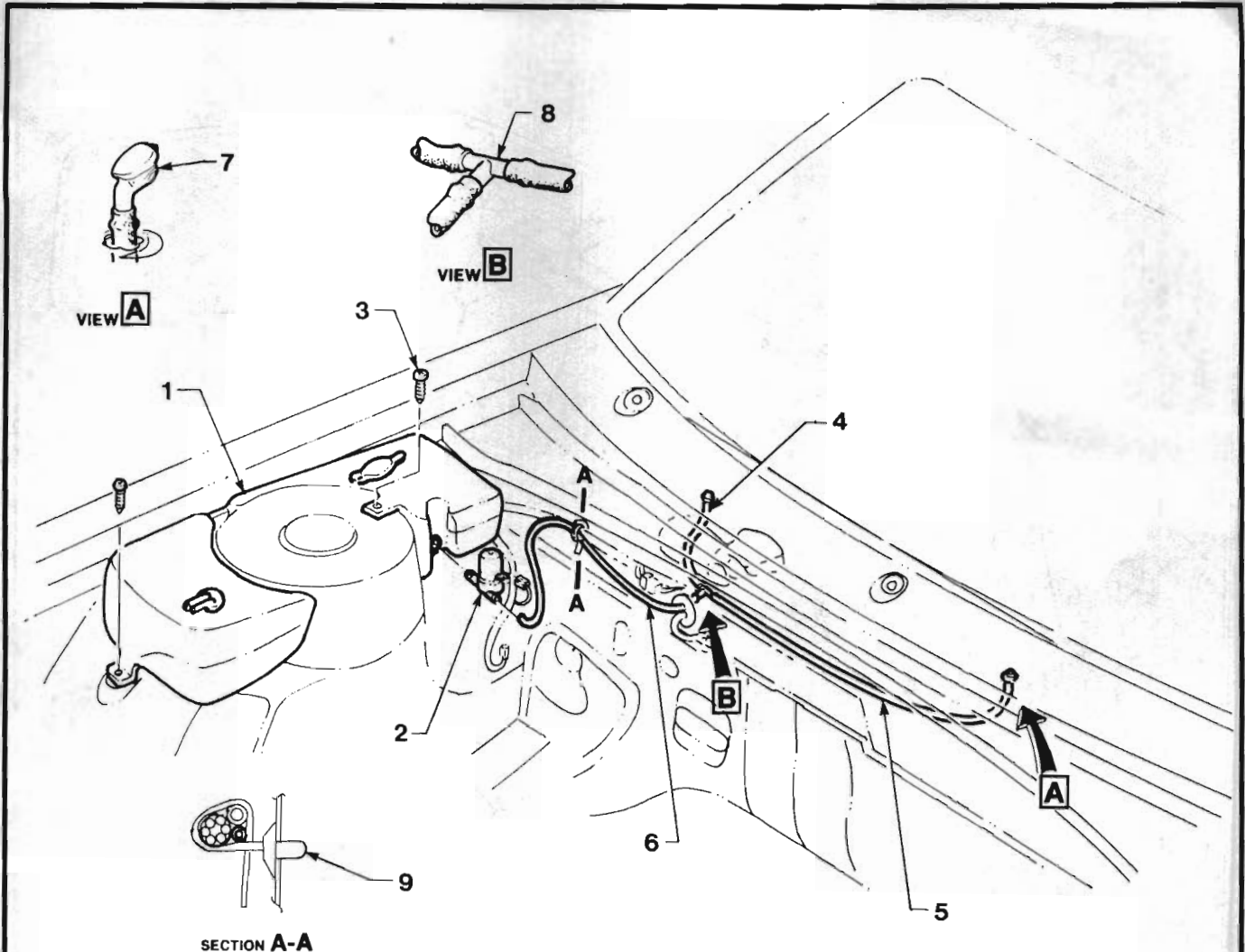


**WINDSHIELD WIPER MOTOR & LINKAGE
VL SERIES**

REF. NO.	PART NAME	GROUP
1	LINKAGE UNIT.....	10.159
2	MOTOR ASM. - Windshield wiper.....	10.150
3	ARM ASM. - Windshield wiper.....	10.147
4	BLADE ASM. - Windshield wiper.....	10.146
5	COVER - Windshield wiper arm, Pivot end.....	10.147
6	NUT - Windshield wiper arm mounting.....	10.147
7	WASHER - Windshield wiper arm mounting.....	10.147
8	NUT - Windshield wiper linkage unit to cowl.....	10.152
9	DAMPER - Windshield wiper, Outer.....	10.159
10	DAMPER - Windshield wiper, Inner.....	10.159
11	MOUNTING - Windshield wiper linkage unit to bracket.....	10.152
12	SCREW - Wiper motor earth lead.....	NS
13	WASHER - Wiper motor earth lead.....	NS



"V" SERIES PARTS CATALOGUE

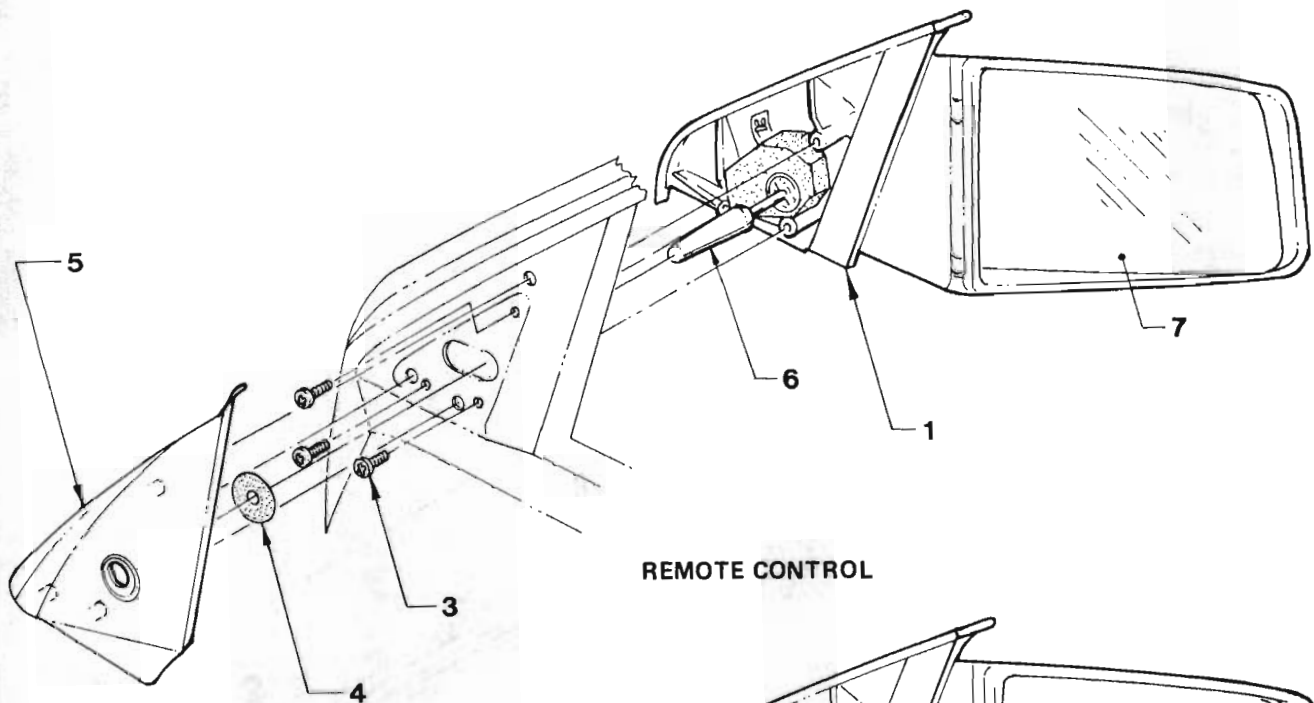


WINDSHIELD WASHER VL SERIES

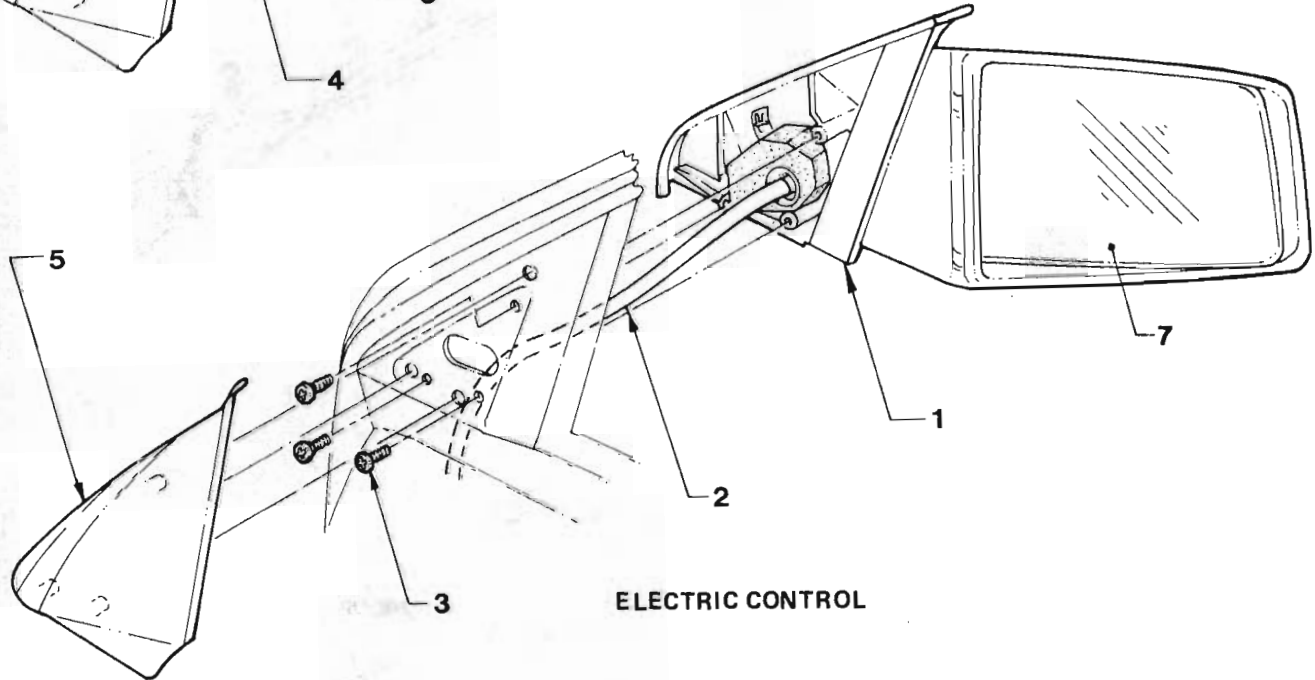
REF. NO.	PART NAME	GROUP
1	RESERVOIR ASM. - Windshield washer & radiator overflow	10.154
2	PUMP ASM. - Windshield washer	10.153
3	SCREW - Reservoir to fender skirt.....	10.154
4	HOSE - Windshield washer tee to RH nozzle	10.155
5	HOSE - Windshield washer tee to LH nozzle.....	10.155
6	HOSE - Windshield washer reservoir to tee connector	10.155
7	NOZZLE - Windshield washer	10.156
8	TEE - Windshield washer hose	10.155
9	STRAP - Harness to dash panel.....	2.483



"V" SERIES PARTS CATALOGUE



REMOTE CONTROL



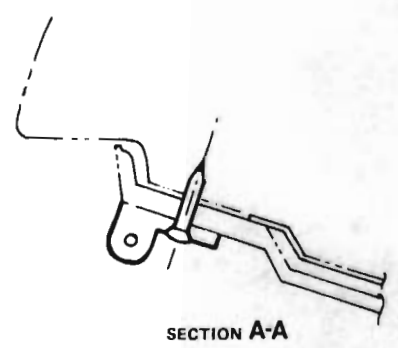
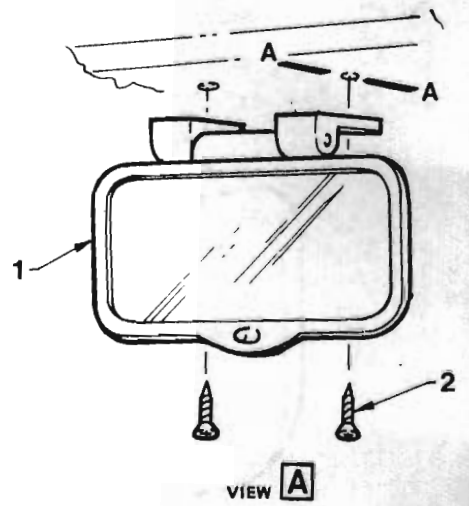
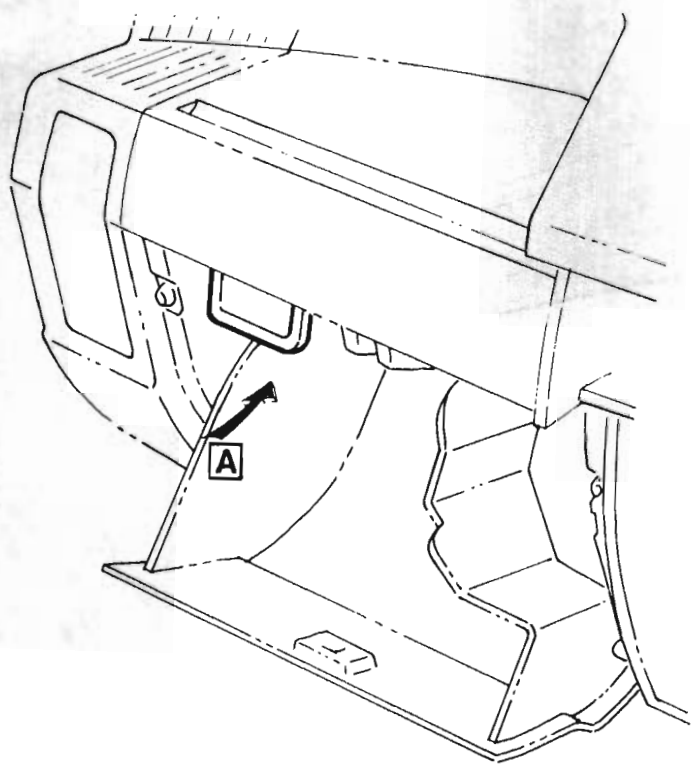
ELECTRIC CONTROL

EXTERNAL REAR VISION MIRROR VL SERIES

REF. NO.	PART NAME	GROUP
1	MIRROR ASM. - Exterior rear vision.....	10.185
2	HARNES ASM. - Electric mirrors.....	10.186
3	SCREW - External mirror to door.....	10.186
4	WASHER - External mirror to door.....	10.186
5	COVER - Front door window frame, Inner.....	11.075
6	KNOB.....	10.186
7	GLASS.....	10.185

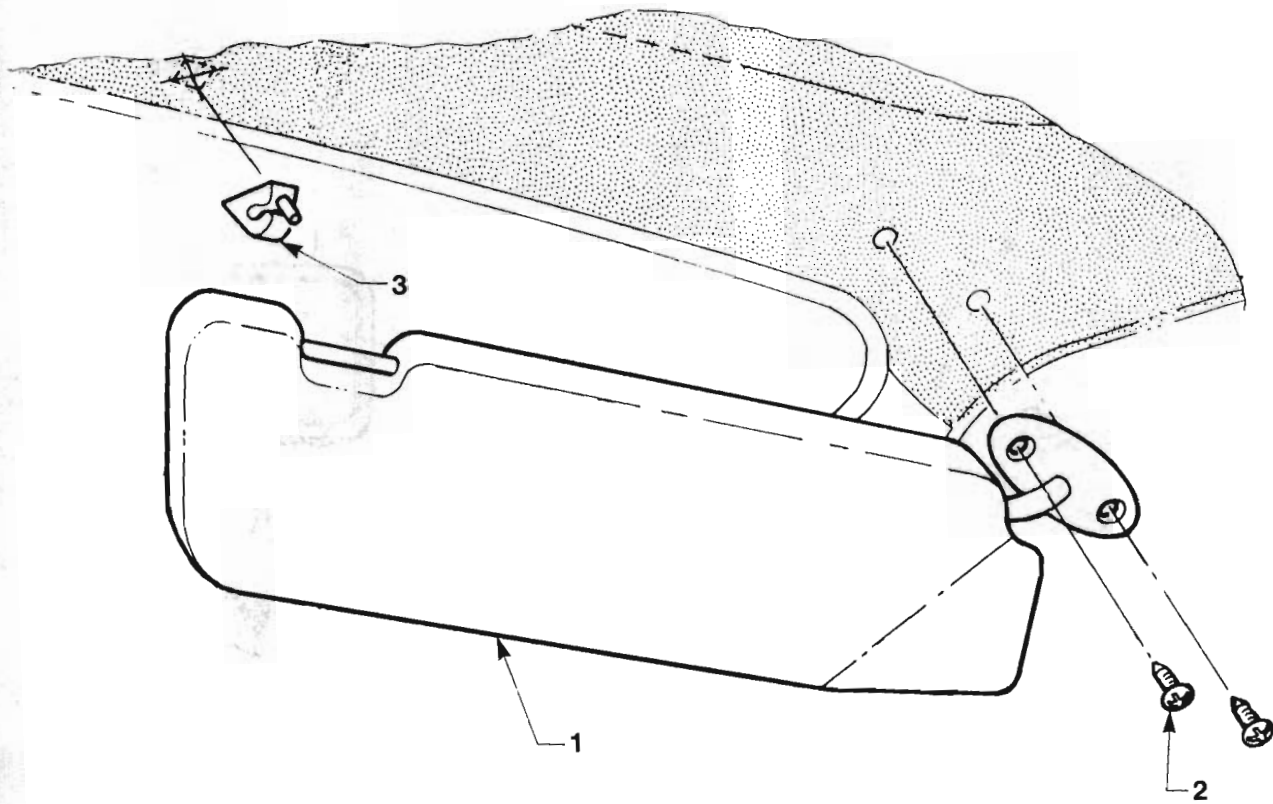


"V" SERIES PARTS CATALOGUE



VANITY MIRROR VL SERIES

REF. NO.	PART NAME	GROUP
1-2	MIRROR PACKAGE - Instrument panel compartment vanity	10.195
1	MIRROR ASM. - Instrument panel compartment vanity.....	10.195
2	SCREW - Vanity mirror attaching.....	10.195

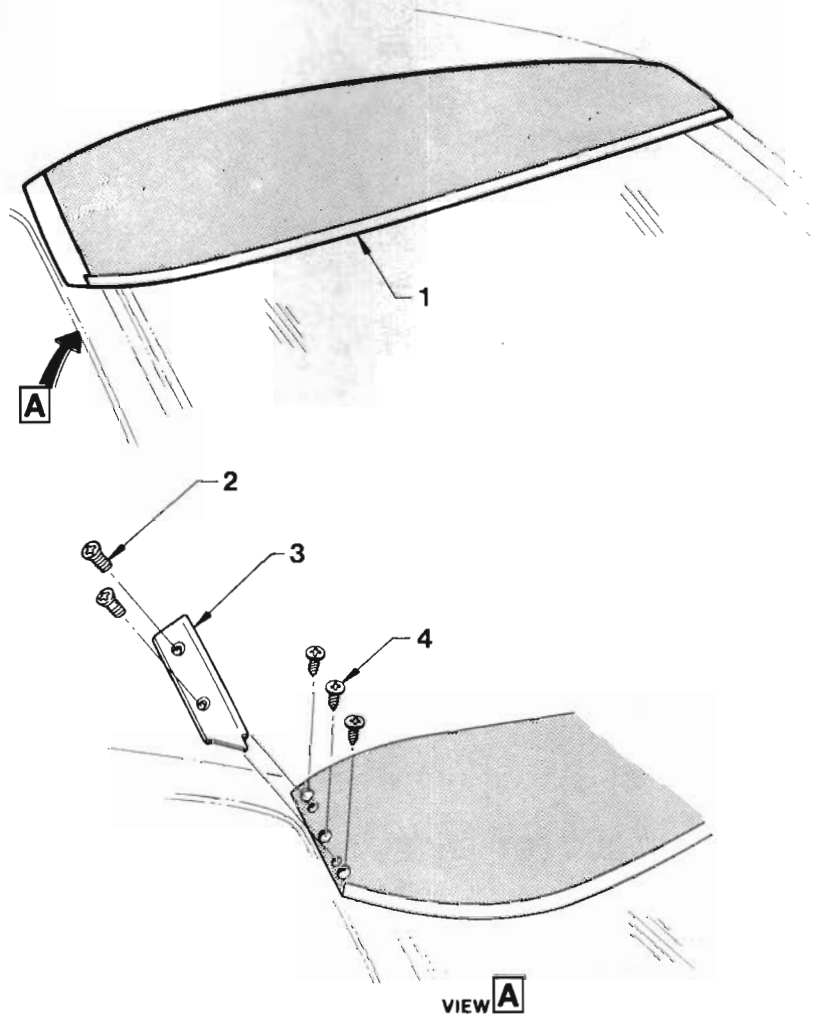


**SUNVISOR
VL SERIES**

REF. NO.	PART NAME	GROUP
1	SUNVISOR & PIVOT ASM.....	10.203
2	SCREW - Sunvisor pivot to reinforcing frame.....	10.203
3	RETAINER - Sunvisor.....	10.219

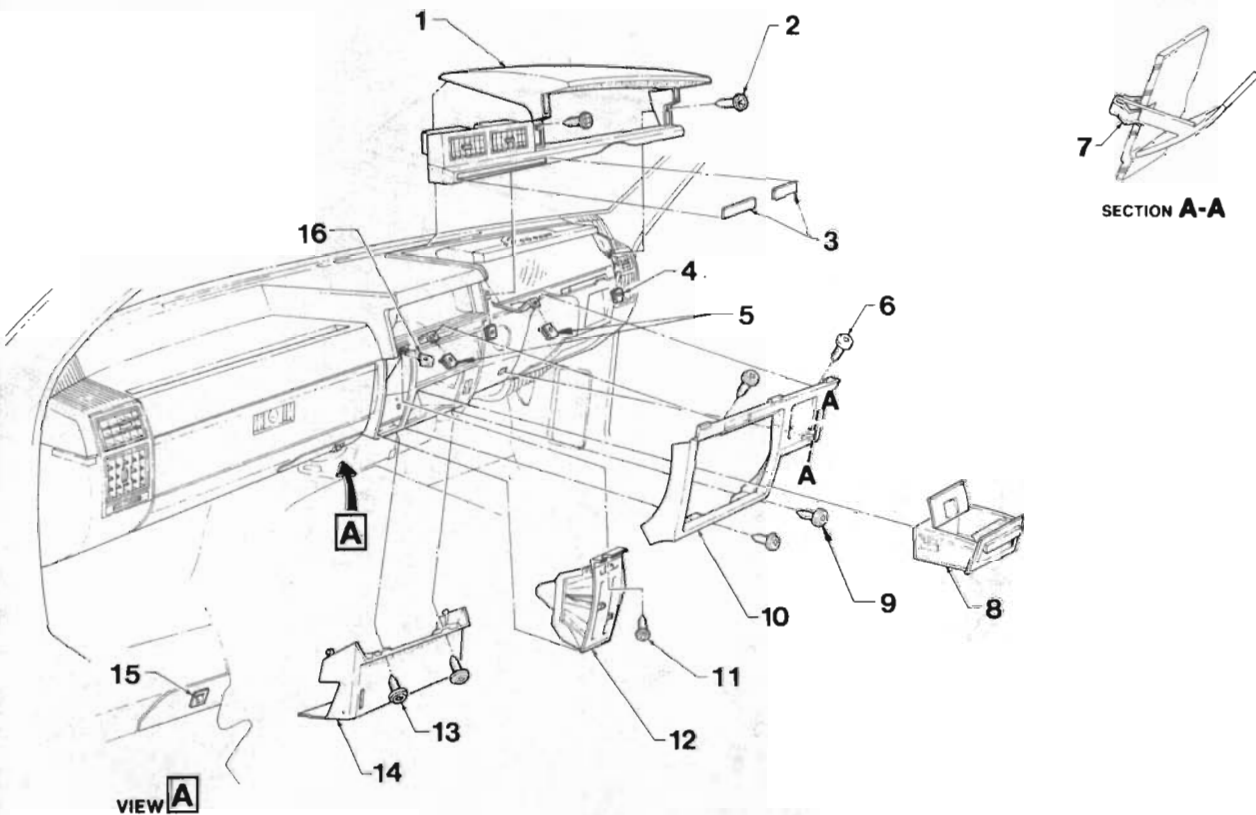


"V" SERIES PARTS CATALOGUE



SUNSHADE PACKAGE VL SERIES

REF. NO.	PART NAME	GROUP
1-4	SUNSHADE PACKAGE - Windshield.....	10.203
1	SUNSHADE - Windshield	NSS
2	SCREW - Scalp plate to sunshade.....	NSS
3	PLATE - Scalp.....	NSS
4	SCREW - Sunshade to pillar.....	10.219

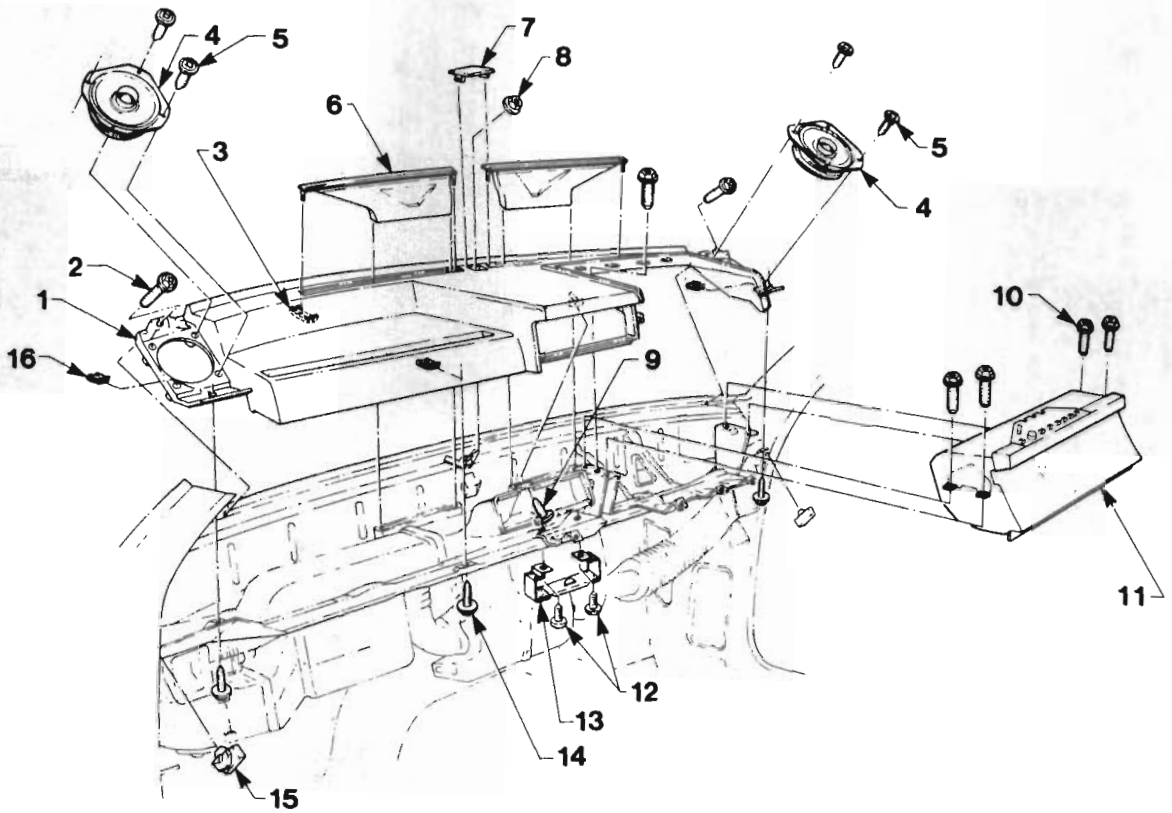


**INSTRUMENT PANEL SURROUND
VL SERIES**

REF. NO.	PART NAME	GROUP
1	SURROUND & CENTRE VENT ASM. - Instrument panel centre.....	9.743
2	SCREW - Surround to carrier.....	9.743
3	PLATE - Name, Instrument panel.....	10.254
4	NUT - Surround to carrier.....	9.743
5	NUT - Surround to cluster surround.....	10.230
6	SCREW - Surround to cluster surround.....	10.230
7	CLIP - Instrument panel centre surround to instrument panel.....	10.230
8	ASHTRAY ASM. - Instrument panel.....	10.230
9	SCREW - Surround to instrument panel.....	10.230
10	SURROUND - Instrument panel centre.....	10.230
11	SCREW - Heater control to instrument panel.....	8.849
12	CONTROL ASM. - Heater blower/Air conditioner.....	8.849 9.278
13	SCREW - Heater case cover to lower instrument panel.....	8.849
14	COVER ASM. - Heater case to lower instrument panel.....	8.849
15	HOOK - Litter bag.....	8.891
16	NUT - Heater control to instrument panel.....	8.849
20	BUMPER.....	



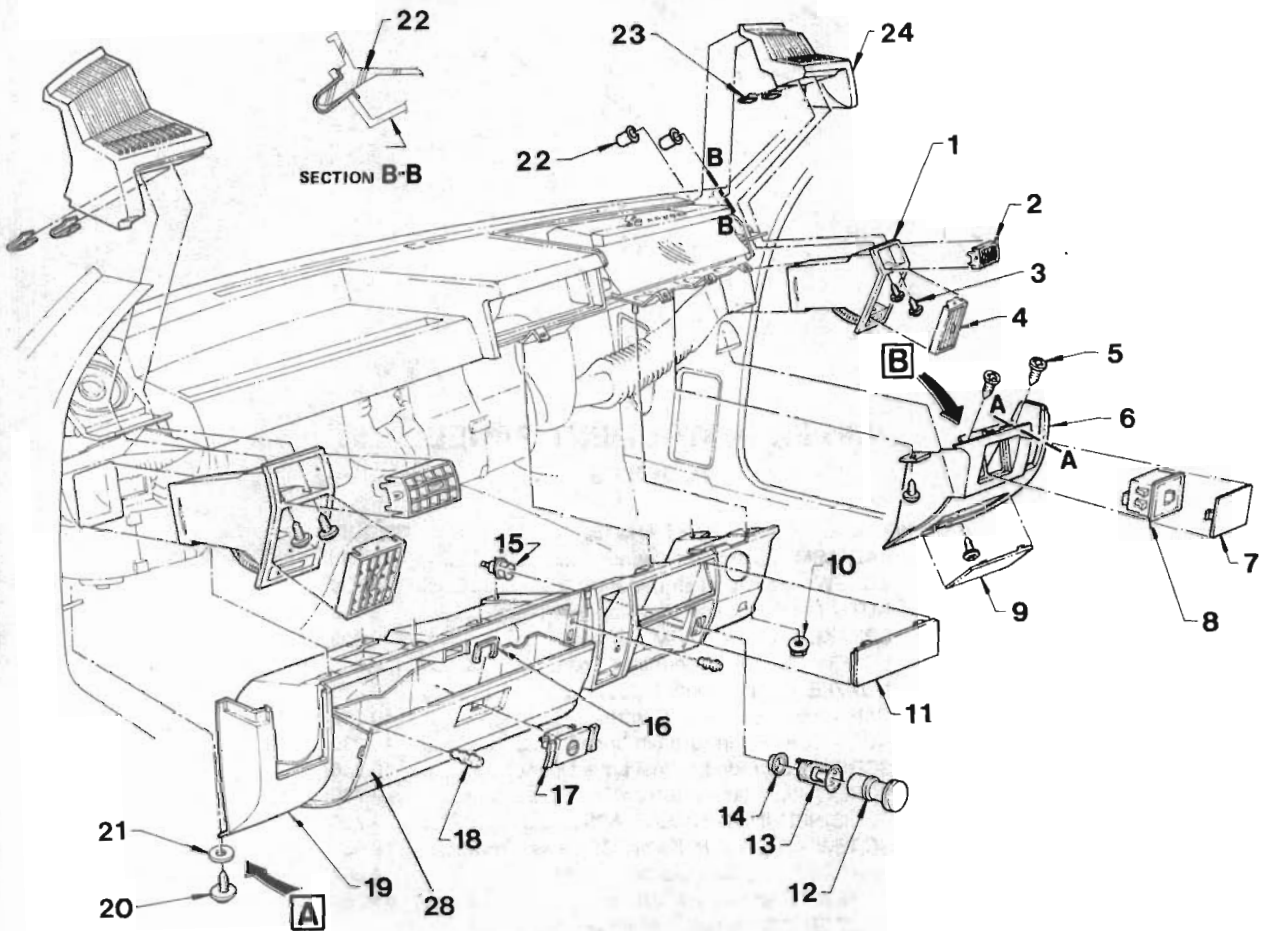
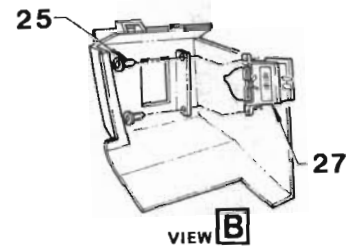
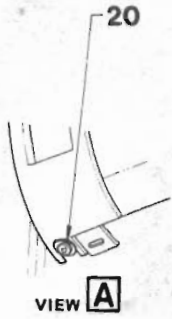
"V" SERIES PARTS CATALOGUE



UPPER INSTRUMENT PANEL VL SERIES

REF. NO.	PART NAME	GROUP
1	PAD ASM. - Instrument panel	14.655
2	SCREW - Pad to dash upper	10.230
3	NUT - Demist nozzle to instrument panel	9.779
4	SPEAKER & LEAD ASM. - Front.....	9.650
5	SCREW - Speaker mounting, Front.....	9.650
6	NOZZLE - Demist outlet.....	9.779
7	CAP - Pad mounting - Centre.....	10.230
8	NUT - Centre pad to dash upper.....	10.230
9	SCREW - Surround to instrument panel.....	10.230
10	SCREW - Instrument to carrier.....	9.735
11	COMBINED INSTRUMENT ASM.....	9.735
12	SCREW - Bracket to Radio/Cassette, Front.....	9.667
13	BRACKET - Radio mounting, Front	9.667
14	SCREW - Pad to dash carrier	14.655
15	BUMPER - Dash upper to instrument panel lower	10.230
16	NUT - Pad mounting	10.230

"V" SERIES PARTS CATALOGUE

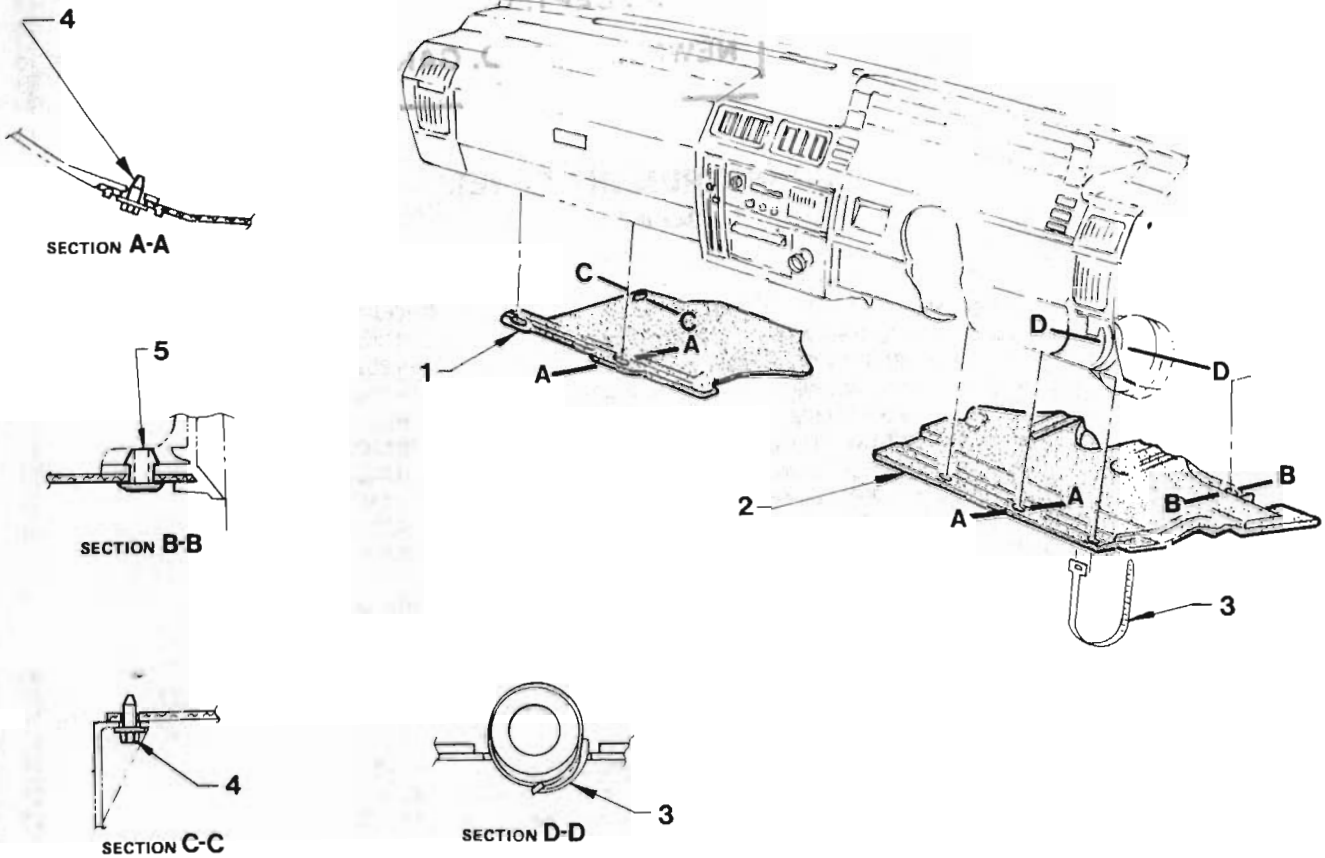




**LOWER INSTRUMENT PANEL
VL SERIES**

ILLUSTRATION OPPOSITE

REF. NO.	PART NAME	GROUP
1	HOUSING ASM. - Air outlet, Outer.....	9.262
2	INSERT - Outer housing, Upper.....	9.262
3	SCREW - Outer air outlet to instrument panel	9.262
4	INSERT ASM. - Outer lower air outlet.....	9.262
5	SCREW - Lower panel to cluster surround.....	10.230
6	PANEL - Lower instrument.....	10.230
7	COVER - Electric mirror switch hole.....	10.186
8	SWITCH ASM. - Electric exterior mirror.....	10.186
9	COVER - Panel lower.....	10.230
10	NUT & WASHER - Lower instrument panel to carrier.....	10.230
11	COVER - Radio opening hole closing.....	10.256
12	PLUNGER & KNOB ASM. - Cigarette lighter.....	9.709
13	SOCKET ASM. - Cigarette lighter.....	9.709
14	RING - Lighter illumination.....	9.709
15	SOCKET - Lighter illumination.....	9.709
16	CLIP - Instrument panel compartment lock.....	10.267
17	LOCK ASM. - Instrument panel compartment.....	10.266
18	BUMPER - Instrument panel compartment.....	10.263
19	PANEL - Lower LH instrument.....	10.230
20	SCREW - Lower instrument panel to carrier.....	10.230
21	WASHER - Lower instrument panel to carrier.....	10.230
22	GROMMET - Front speaker grille to instrument panel.....	9.650
23	NUT - Front speaker grille mounting.....	9.650
24	GRILLE ASM. - Front speaker.....	9.650
25	SCREW - Dimmer switch to dash panel.....	2.485
26	NUT - Lower panel to instrument surround.....	10.230
27	SWITCH ASM. - Dimmer control, instrument lights.....	2.485
28	COMPARTMENT - Instrument panel.....	10.260

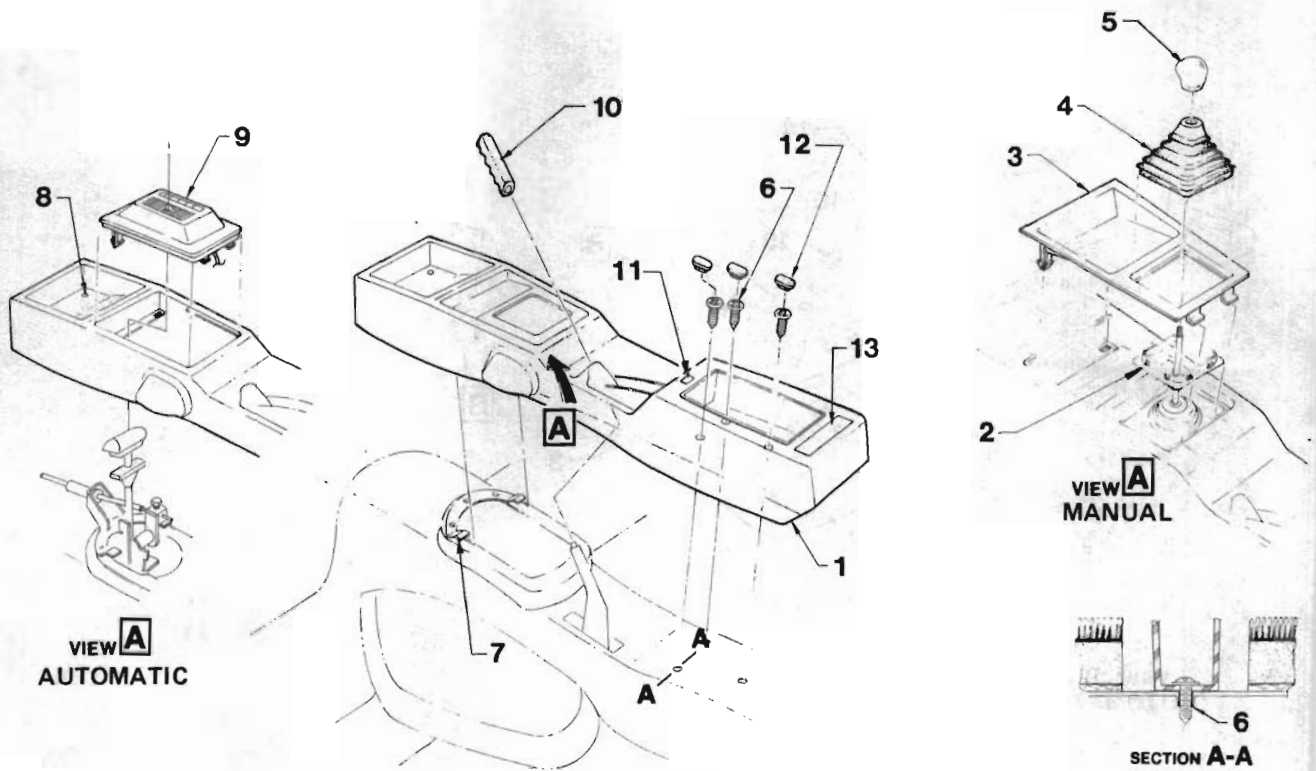


**TRIM - INSTRUMENT PANEL LOWER
VL SERIES**

REF. NO.	PART NAME	GROUP
1	TRIM ASM. - Instrument panel lower, LH.....	10.230
2	TRIM ASM. - Instrument panel lower, RH.....	10.230
3	STRAP - Trim to steering column.....	10.230
4	FASTENER - Lower instrument panel trim to instrument panel.....	10.230
5	CLIP - Trim to accelerator pedal support.....	10.230

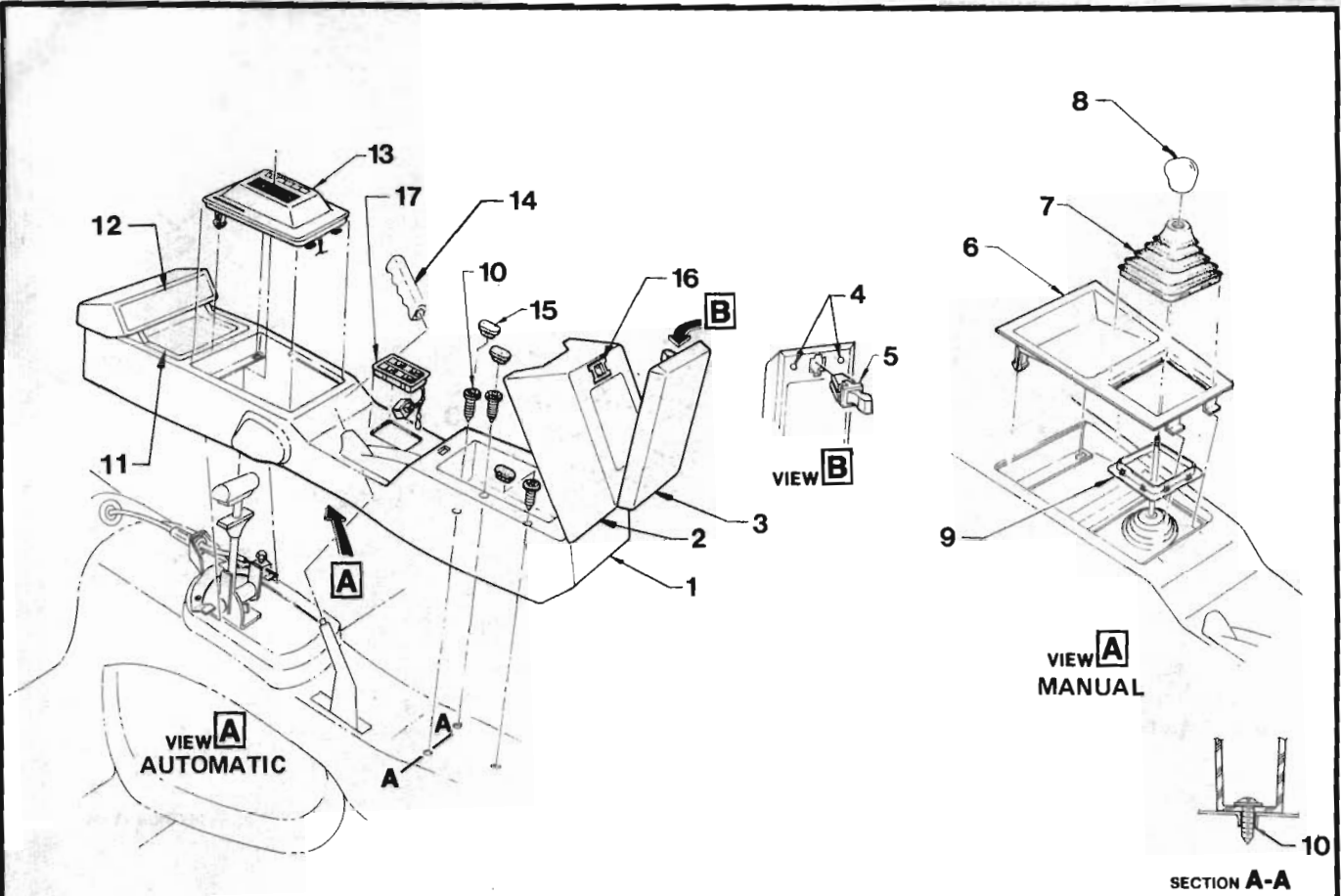


"V" SERIES PARTS CATALOGUE



CONSOLE WITHOUT ARMREST VL SERIES

REF. NO.	PART NAME	GROUP
1	HOUSING ASM. - Console.....	10.240
2	RETAINER - Gearshift control lever boot (M).....	4.015J
3	COVER - Transmission control (M)	10.240
4	BOOT - Transmission shift control lever (M)	4.015J
5	KNOB - Transmission shift control lever (M)	4.006J
6	SCREW - Console to floor pan	10.240
7	BRACKET - Front console attaching.....	10.240
8	PLUG - Console front	10.240
9	CAP ASM. - Transmission control cover (A).....	10.240
10	GRIP - Park brake lever	4.592
11	COVER - Support lock hole.....	10.240
12	PLUG - Console rear.....	10.240
13	COVER - Console hinge hole.....	10.240

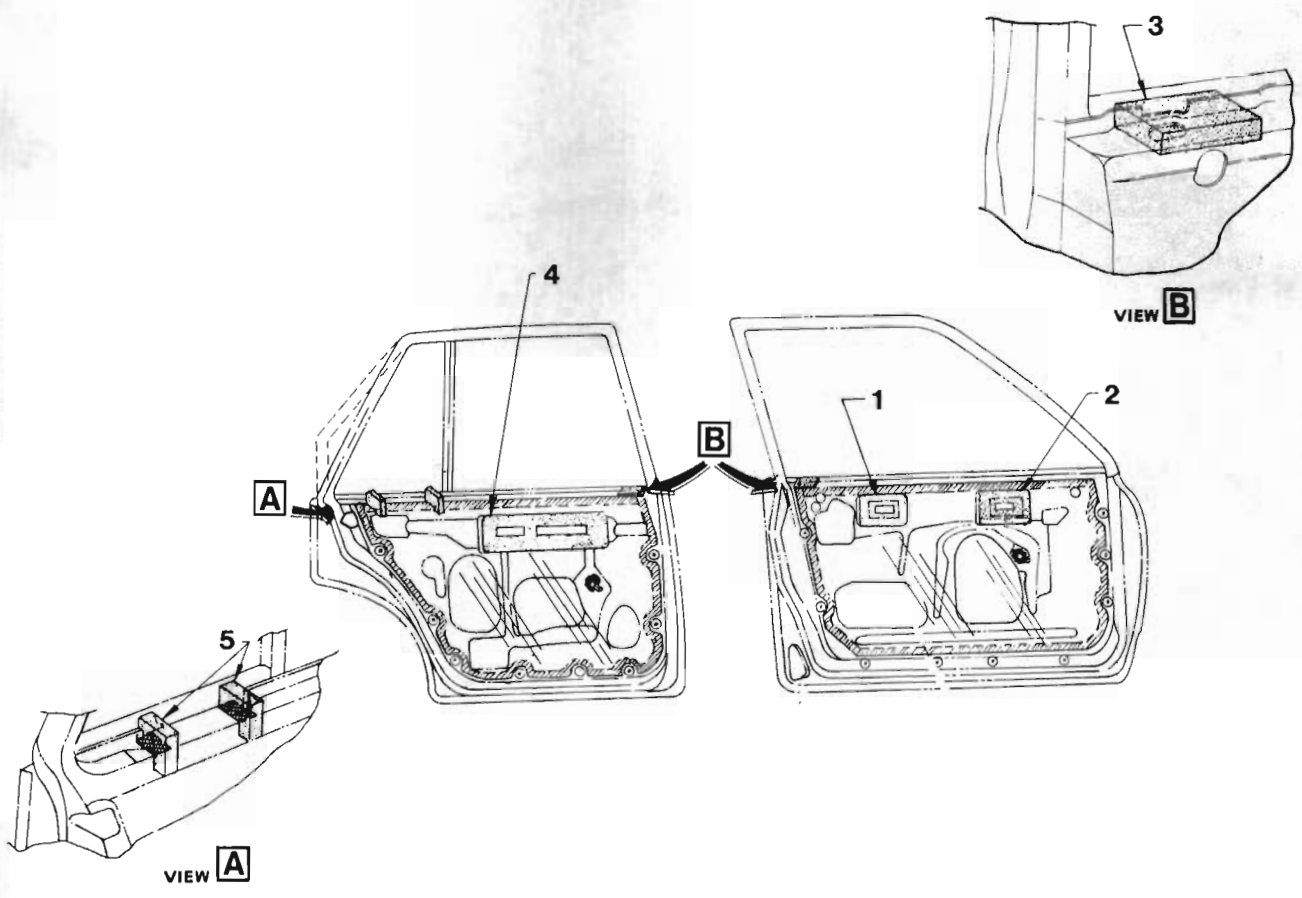


**CONSOLE
WITH ARMREST
VL SERIES**

REF. NO.	PART NAME	GROUP
1	HOUSING ASM. - Console.....	10.240
2	SUPPORT ASM. - Console armrest.....	10.240
3	ARMREST ASM. - Console.....	10.240
4	BUMPER - Support lock to console.....	10.242
5	CATCH - Armrest.....	10.242
6	COVER - Transmission control (M)	10.240
7	BOOT - Transmission shift control lever (M)	4.015J
8	KNOB - Transmission shift control lever (M)	4.006J
9	RETAINER - Shift control lever boot (M)	4.015J
10	SCREW - Console to floor pan.....	10.240
11	HOUSING - Front console pocket.....	10.240
12	POCKET - Utility.....	10.240
13	CAP ASM. - Transmission control cover (A).....	10.240
14	GRIP - Park brake lever.....	4.592
15	PLUG - Console rear.....	10.240
16	LOCK - Armrest to support, Lower.....	10.242
17	SWITCH ASM. - Power operated windows, Console.....	10.777

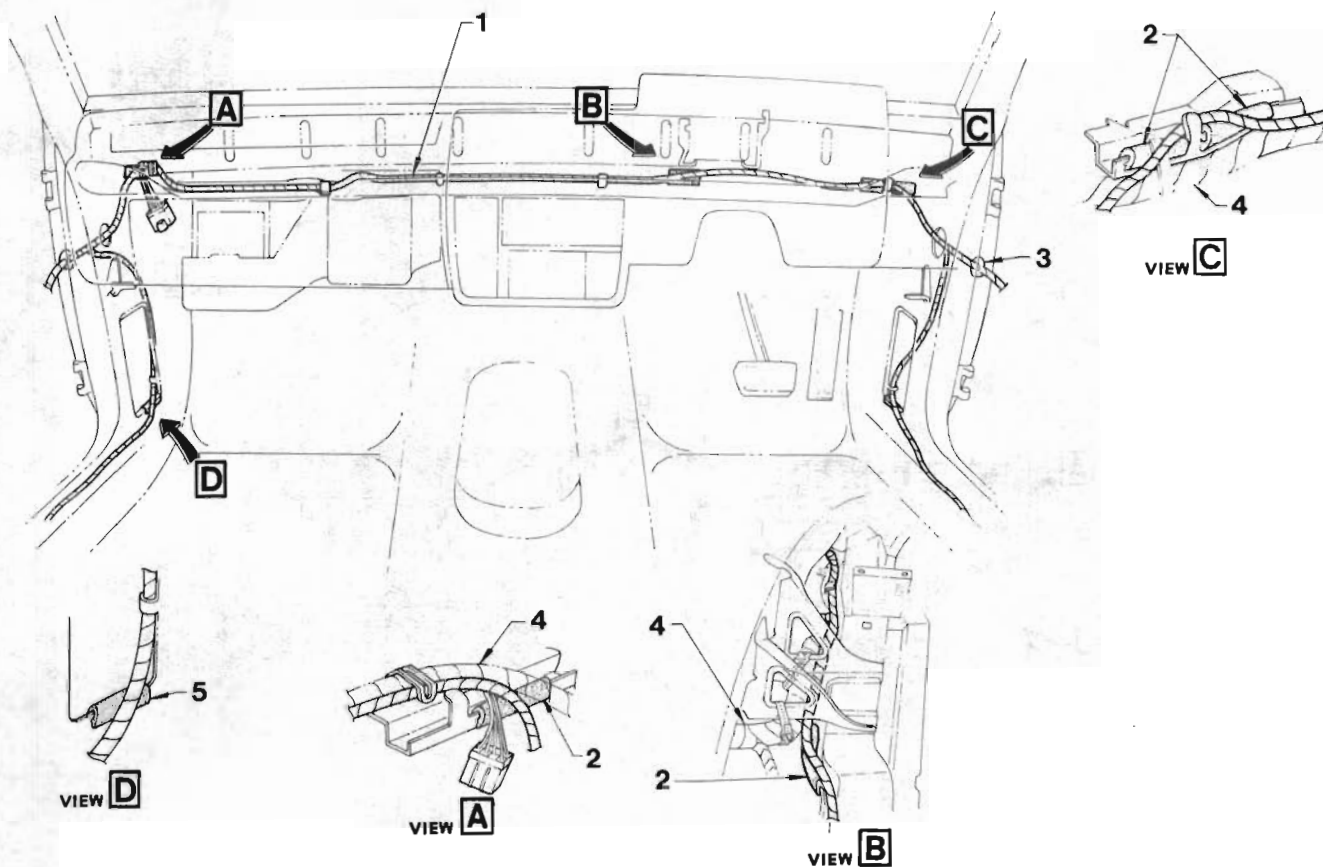


"V" SERIES PARTS CATALOGUE



DOOR DUST SEALS VL SERIES

REF. NO.	PART NAME	GROUP
1	SEAL - Front door electric door lock	10.355
2	SEAL - Front door handle	10.355
3	SEAL - Door belt dust control	10.355
4	SEAL - Rear door trim dust control, Front	10.355
5	SEAL - Rear door trim dust control, Rear	10.355

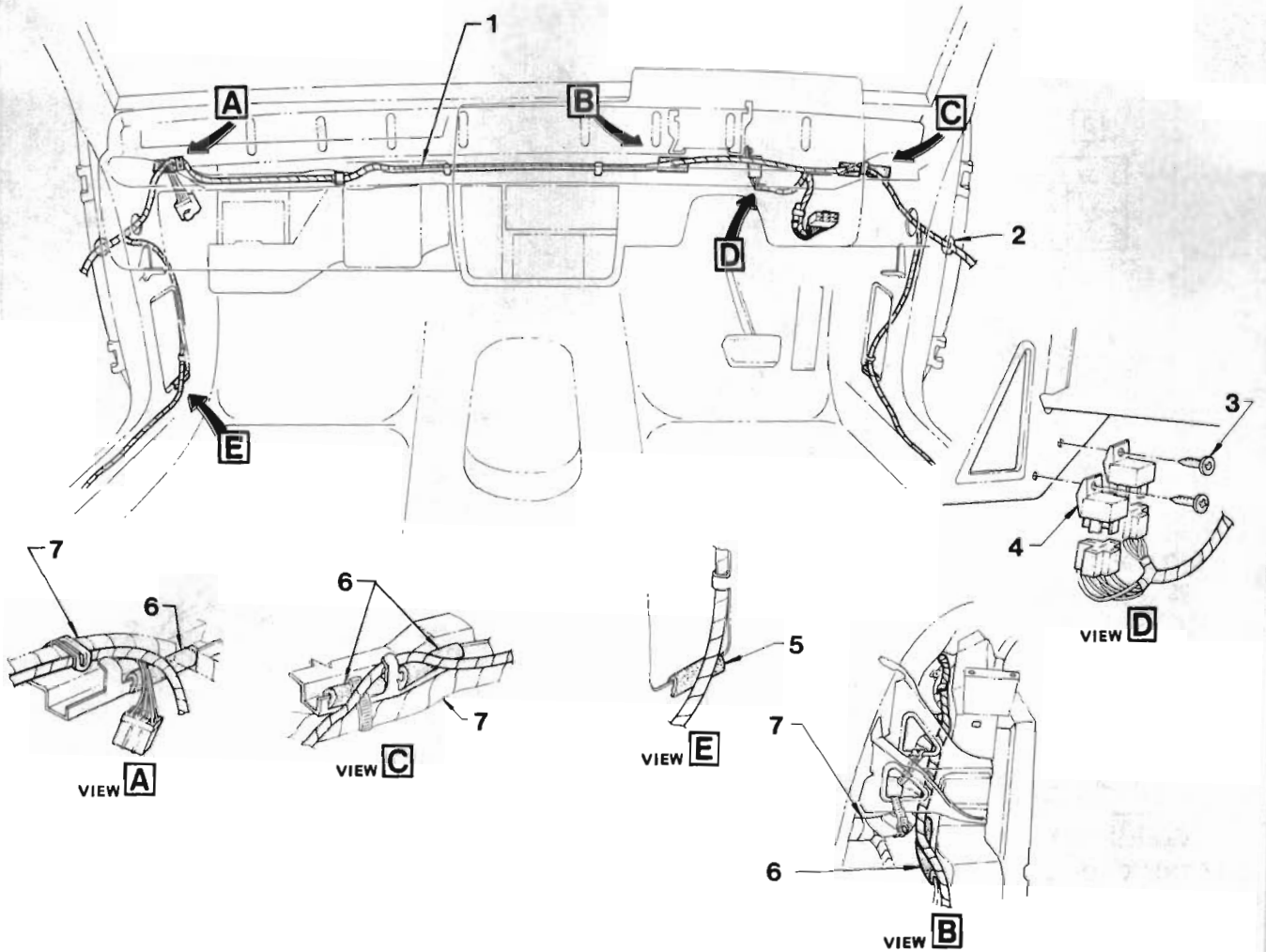


**ELECTRIC DOOR LOCK HARNESS
VL SERIES**

REF. NO.	PART NAME	GROUP
1	HARNESS ASM. - Electric door lock	10.485
2	SLEEVE - Harness protector	10.485
3	GROMMET - Electric door lock harness	10.485
4	HARNESS ASM. - Main wiring & body	2.480
5	SLEEVE - Harness protector, Cowl side panel....	10.485

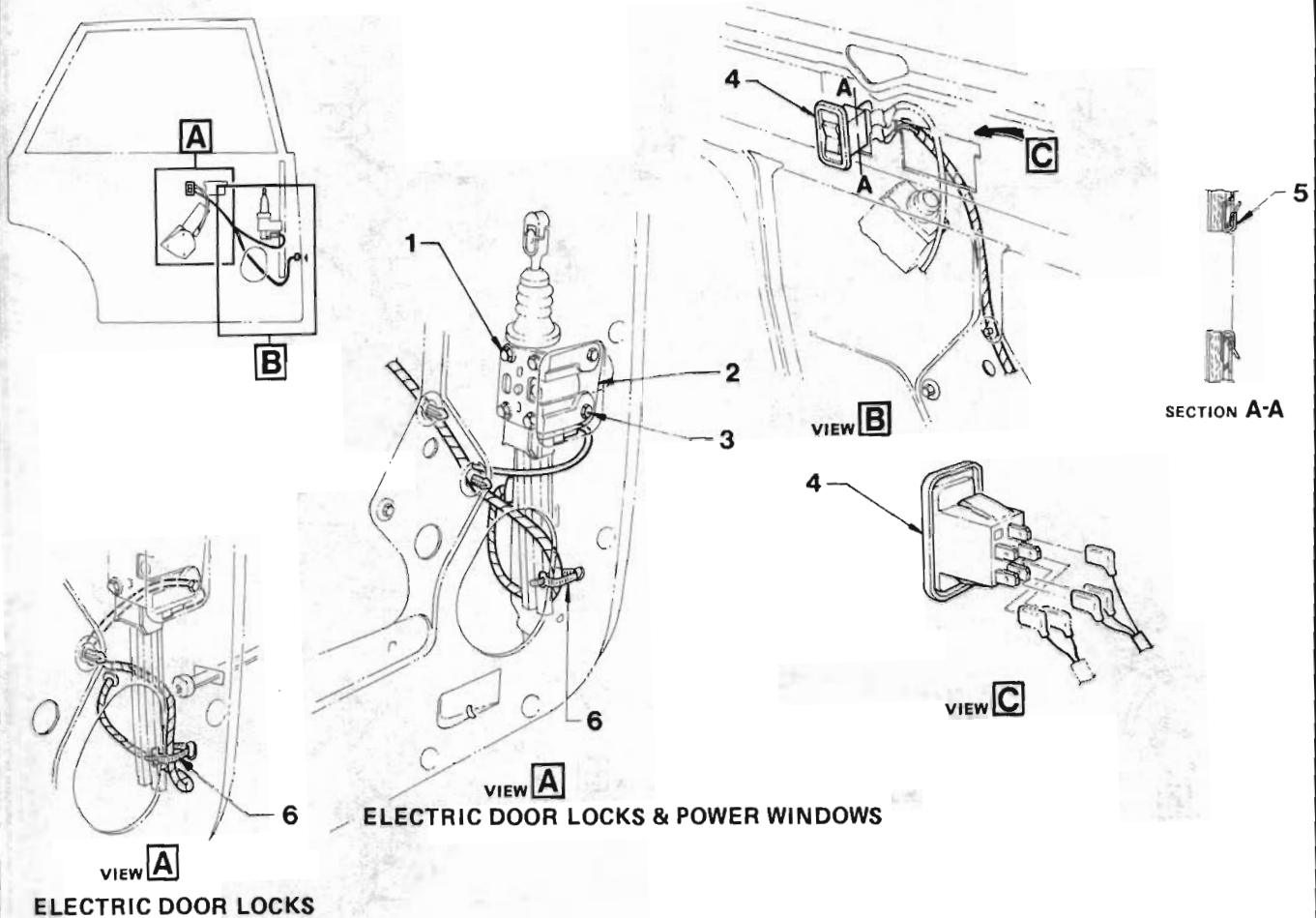


"V" SERIES PARTS CATALOGUE



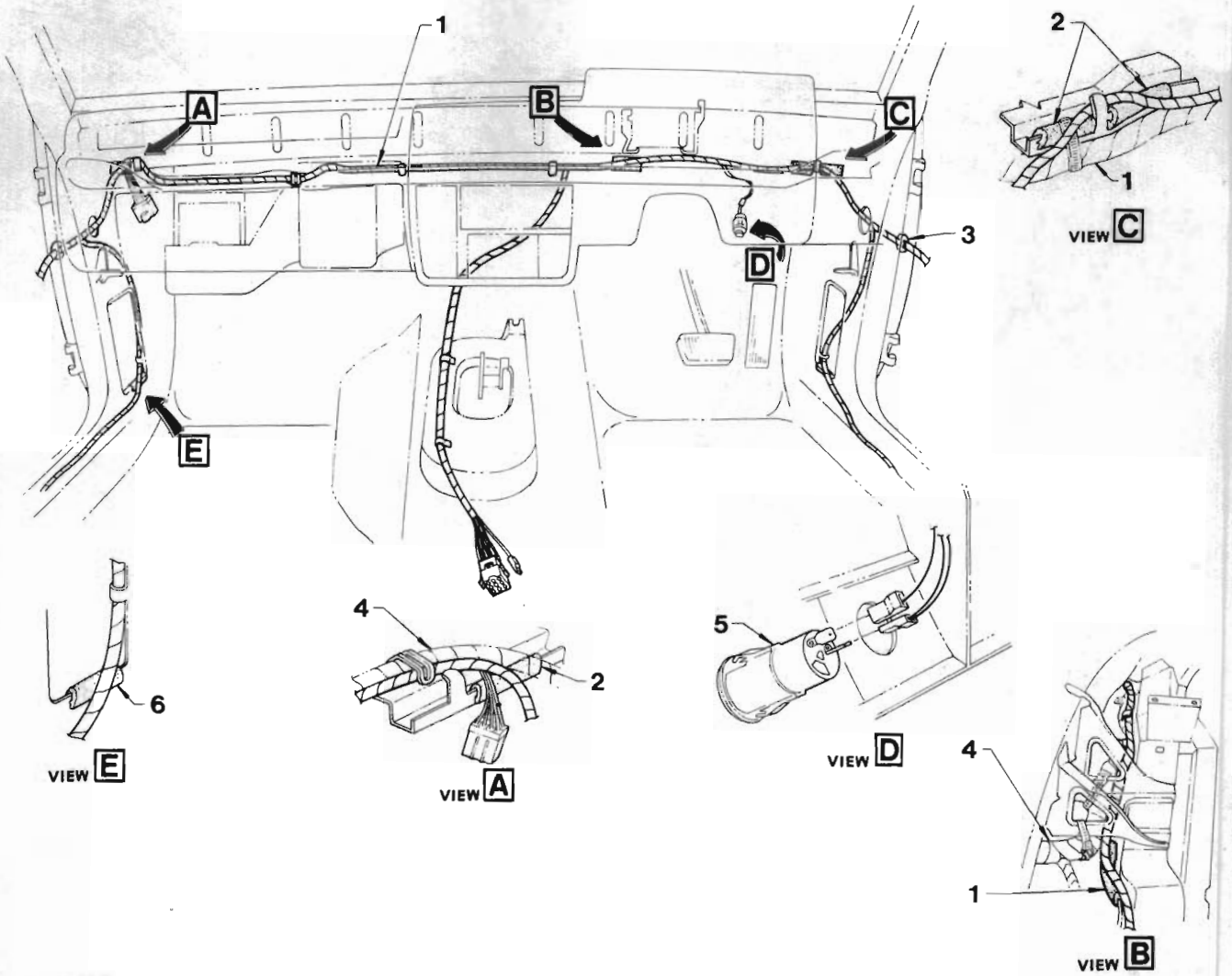
ELECTRIC DOOR LOCKS & ELECTRIC EXTERNAL REAR VISION MIRROR HARNESS VL SERIES

REF. NO.	PART NAME	GROUP
1	HARNESS ASM. - Electric door lock	10.485
2	GROMMET - Harness	10.485
3	SCREW - Electric mirror relay	10.186
4	RELAY ASM. - Electric mirror	10.186
5	SLEEVE - Harness protector, Cowl side panel....	10.485
6	SLEEVE - Harness protector	10.485
7	HARNESS ASM. - Main wiring & body	2.480



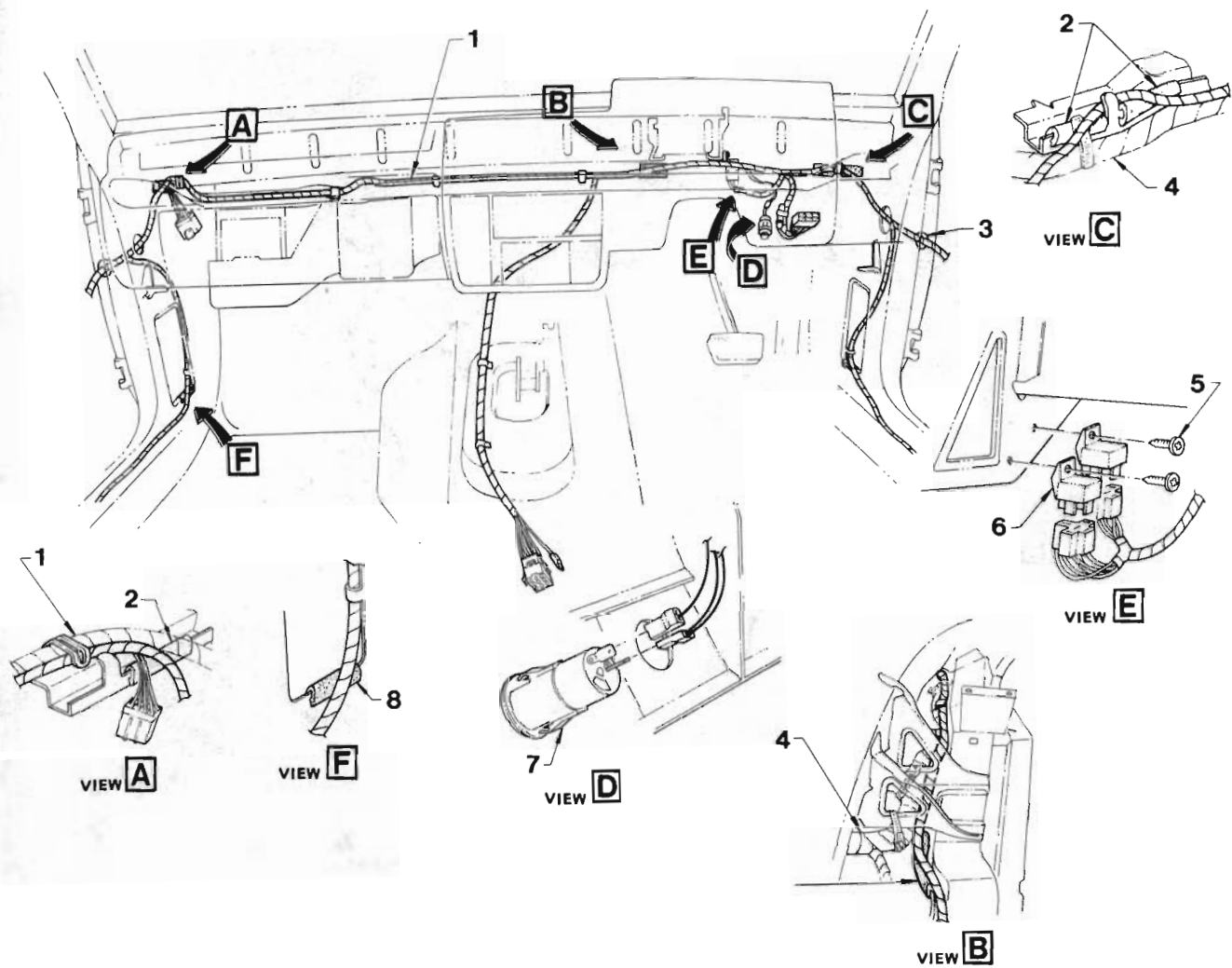
**ELECTRIC DOOR LOCKS & POWER OPERATED WINDOWS
VL SERIES**

REF. NO.	PART NAME	GROUP
1	ACTUATOR KIT - Electric door locks	10.485
2	BRACKET - Door lock actuator.....	10.485
3	SCREW - Actuator to door.....	10.485
4	SWITCH ASM. - Power operated windows, Rear door.....	10.777
5	CLIP - Power operated window switch to rear door trim.....	10.777
6	STRAP - Electric door lock harness to door panel.....	10.485



**ELECTRIC DOOR LOCKS & POWER OPERATED WINDOWS HARNESS
VL SERIES**

REF. NO.	PART NAME	GROUP
1	HARNESS ASM. - Electric door lock	10.485
2	SLEEVE - Harness protector	10.485
3	GROMMET - Electric door lock harness	10.485
4	HARNESS ASM. - Main wiring & body	2.480
5	SWITCH ASM. - Rear window override	10.777
6	SLEEVE - Harness protector, Cowl side panel....	10.485



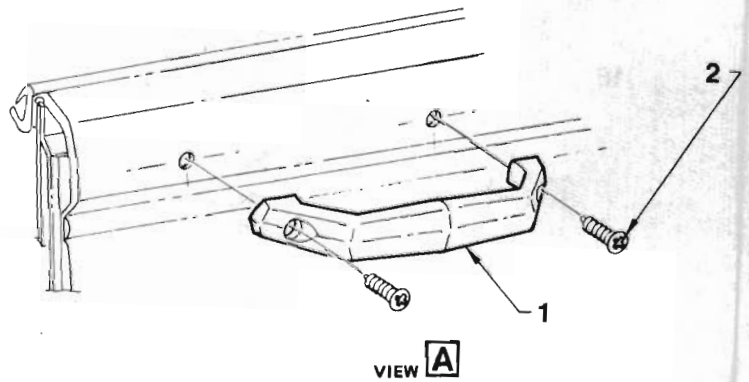
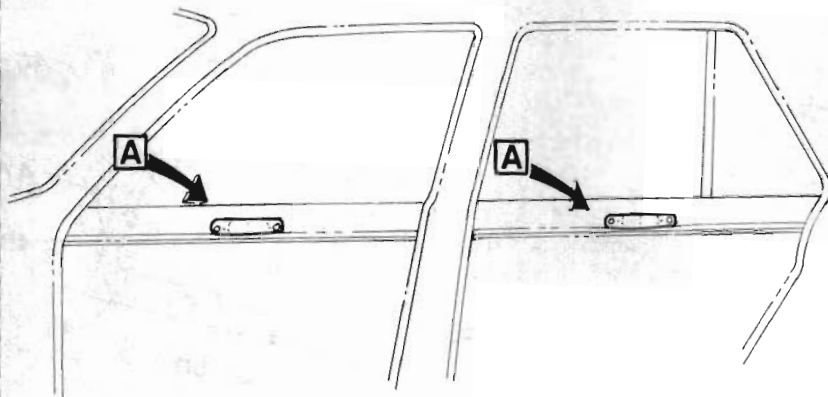
ELECTRIC DOOR LOCKS, POWER OPERATED WINDOWS & ELECTRIC EXTERNAL REAR VISION MIRROR HARNESS

VL SERIES

REF. NO.	PART NAME	GROUP
1	HARNESS ASM. - Electric door lock	10.485
2	SLEEVE - Harness protector	10.485
3	GROMMET - Electric door lock harness	10.485
4	HARNESS ASM. - Main wiring & body	2.480
5	SCREW - Electric mirror relay screw.....	10.186
6	RELAY ASM. - Electric mirror.....	10.186
7	SWITCH ASM. - Rear window override	10.777
8	SLEEVE - Harness protector - Cowl side panel..	10.485



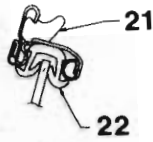
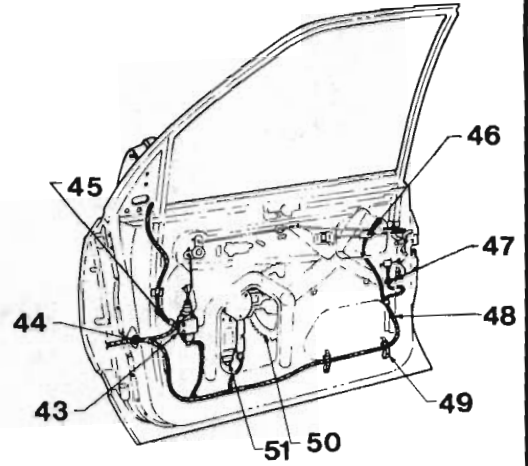
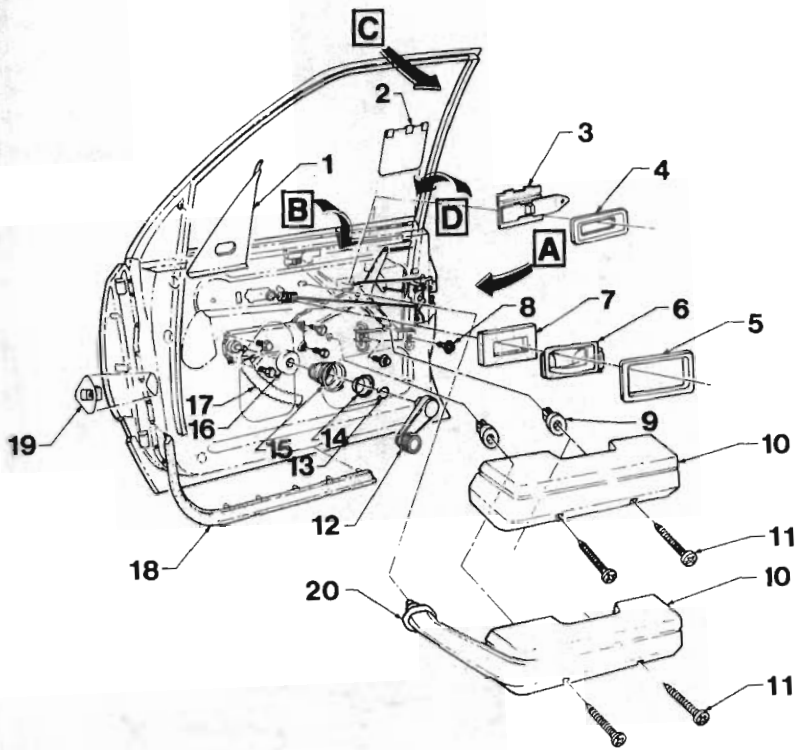
"V" SERIES PARTS CATALOGUE



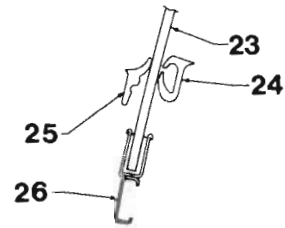
DOOR PULL TO HANDLE VL SERIES

REF. NO.	PART NAME	GROUP
1	HANDLE - Door pull to.....	10.512
2	SCREW - Handle to door.....	10.512

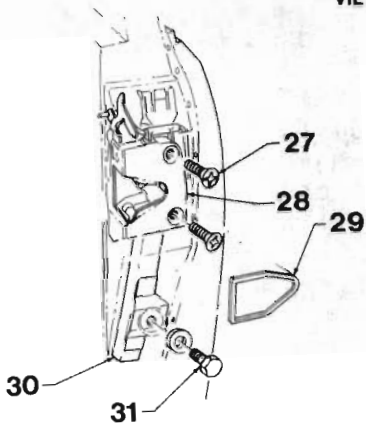
"V" SERIES PARTS CATALOGUE



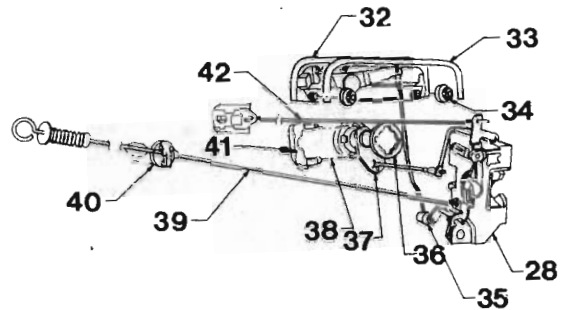
VIEW C



VIEW B



VIEW A



VIEW D

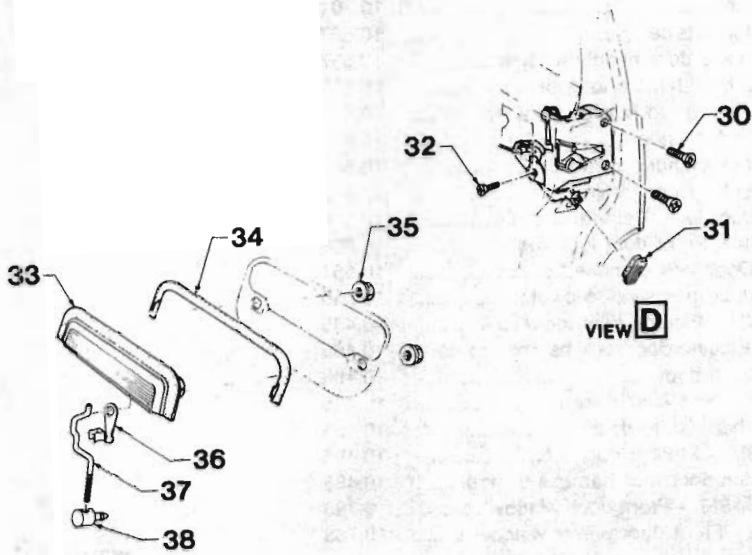
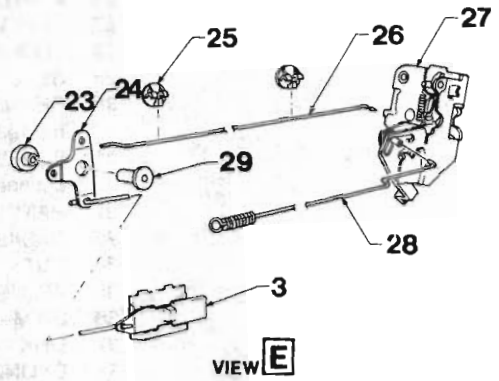
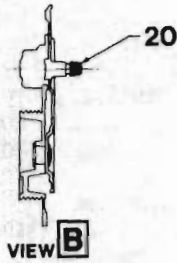
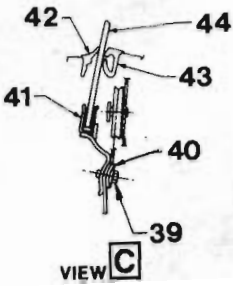
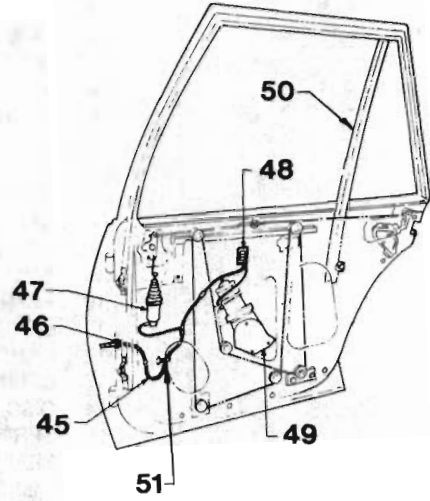
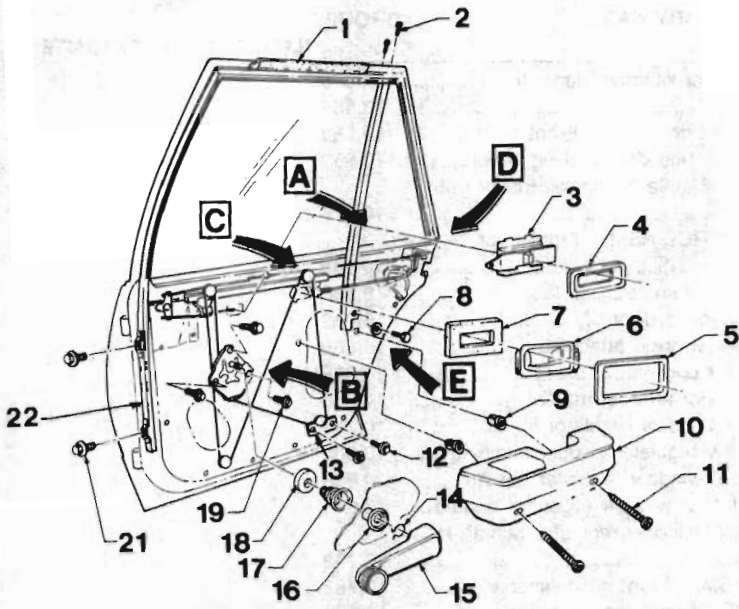


"V" SERIES PARTS CATALOGUE

FRONT DOOR HARDWARE VL SERIES

REF. NO.	PART NAME	GROUP	ILLUSTRATION OPPOSITE
1	COVER - Front door window frame, Inner	11.075	
2	SHIELD - Door lock.....	10.559	
3	SLIDER ASM. - Inside locking, Front door.....	10.559	
4	ESCUTCHEON - Inside door locking slider.....	10.559	
5	ESCUTCHEON - Handle & control, Inside front door.....	10.515	
6	HANDLE & CONTROL ASM. - Front door, Inside	10.500	
7	SEAL - Inside door handle.....	10.355	
8	SCREW - Regulator to door	10.783	
9	NUT - Front door armrest attaching.....	14.686	
10	ARMREST - Front door	14.686	
11	SCREW - Front door armrest attaching.....	14.686	
12	HANDLE ASM. - Window regulator lift.....	10.797	
13	SPRING - Window regulator handle retaining.....	10.806	
14	DISC - Front door window regulator handle.....	10.806	
15	SPRING - Front door window regulator handle...	10.806	
16	SEAL - Front door window regulator handle to shaft.....	10.792	
17	REGULATOR ASM. - Front door window.....	10.783	
18	WEATHERSTRIP - Front door, Rubber.....	10.694	
19	CHECK LINK ASM. - Front door.....	10.455	
20	ESCUTCHEON - Front door armrest.....	14.688	
21	WEATHERSTRIP - Front door, Rubber.....	10.694	
22	CHANNEL - Front door glass run, Felt.....	10.694	
23	GLASS - Front door window.....	10.681	
24	WEATHERSTRIP	NSS	
25	MOULDING ASM. - Front door belt reveal, Outer.....	10.707	
26	CHANNEL ASM. - Front door glass lifter	10.685	
27	SCREW - Door lock to door.....	10.474	
28	LOCK ASM. - Front door.....	10.470	
29	SEAL - Front door lock, Dust.....	10.470	
30	CHANNEL & SHIELD ASM. - Front door glass run rear, Metal.....	10.701	
31	SCREW & WASHER - Front door rear guide channel to door.....	10.701	
32	HANDLE - Door outside	10.527	
33	GASKET - Outside door handle to door.....	10.537	
34	NUT - Outside door handle to door	10.527	
35	ADJUSTER - Pull rod to outside door handle	10.529	
36	SHIM - Door lock cylinder.....	10.551	
37	LINK - Door lock cylinder to rod.....	10.550	
38	CYLINDER ASM. - Door locking	10.550	
39	ROD - Front door lock, Remote control	10.506	
40	CLIP - Anti rattle, Front door lock rod	10.506	
41	RETAINER - Door lock cylinder	10.551	
42	ROD - Front door lock slide to pivot.....	10.556	
43	ACTUATOR KIT - Electric door locks	10.485	
44	GROMMET - Electric door lock harness to door	10.485	
45	CLIP - Harness to door	10.186	
46	SWITCH ASM. - Rod & harness	10.485	
47	CLIP - Switch harness to door	10.485	
48	HARNES ASM. - Electric door lock	10.485	
49	STRAP - Electric door lock harness to door.....	10.485	
50	REGULATOR ASM. - Front door window.....	10.783	
51	MOTOR ASM. - Front door power window	10.783	

"V" SERIES PARTS CATALOGUE

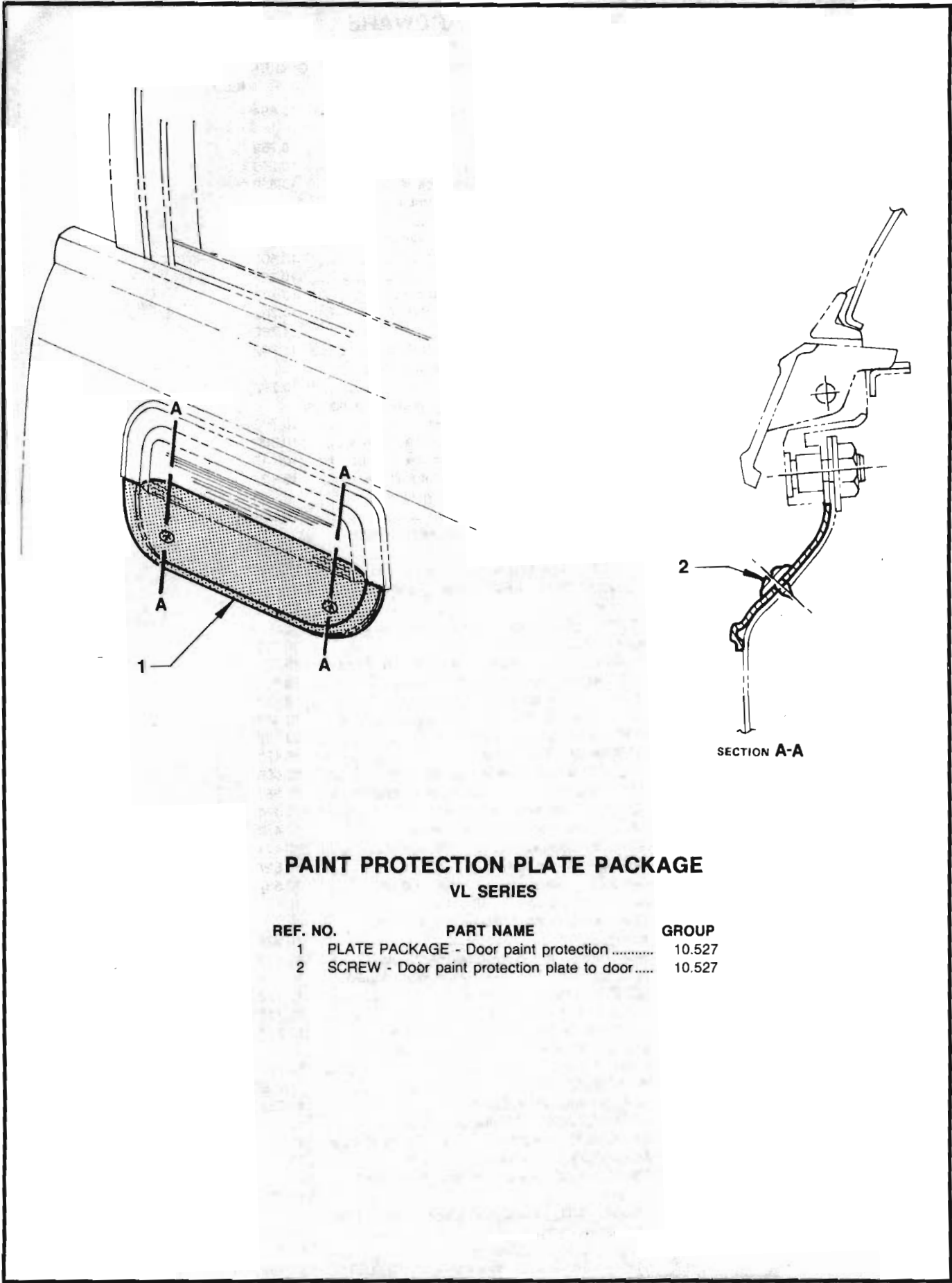




"V" SERIES PARTS CATALOGUE

REAR DOOR HARDWARE

REF. NO.	VL SERIES PART NAME	GROUP	ILLUSTRATION OPPOSITE
1	WEATHERSTRIP - Rear door, Rubber	10.694	
2	SCREW - Centre glass run channel to door, Adjusting	10.759	
3	SLIDER ASM. - Inside locking, Rear door	10.559	
4	ESCUTCHEON - Inside door lock slider	10.559	
5	ESCUTCHEON - Handle & control, Inside rear door	10.515	
6	HANDLE & CONTROL ASM. - Rear door, Inside	10.500	
7	SEAL - Inside door handle	10.355	
8	SCREW - Centre glass run channel to door	10.759	
9	NUT - Rear door armrest attaching	14.762	
10	ARMREST - Rear door	14.762	
11	SCREW - Rear door armrest attaching	14.762	
12	RIVET - Rear door window regulator guide pulley to door	10.792	
13	BRACKET - Rear door window regulator guide pulley	10.792	
14	SPRING - Window regulator handle retaining	10.806	
15	HANDLE ASM. - Rear door window regulator lift	10.797	
16	DISC - Rear door window regulator lift handle ...	10.806	
17	SPRING - Rear door window regulator lift handle	10.806	
18	SEAL - Rear door window regulator handle shaft	10.792	
19	SCREW - Rear door window regulator to door ...	10.791	
20	REGULATOR & CABLE ASM. - Rear door window	10.791	
21	SCREW - Rear door front glass run channel to door	10.759	
22	CHANNEL ASM. - Rear door glass run, Front ...	10.759	
23	RETAINER - Rear door inside locking pivot	10.556	
24	PIVOT - Inside locking rod actuating	10.556	
25	CLIP - Inside locking rod, Anti-rattle	10.556	
26	ROD - Inside locking pivot to lock	10.556	
27	LOCK ASM. - Rear door	10.473	
28	ROD - Rear door remote control locking	10.506	
29	PIN - Rear door inside locking pivot retainer	10.556	
30	SCREW - Rear door lock to door	10.474	
31	SEAL - Rear door lock safety lever	10.473	
32	SCREW - Door lock to door	10.474	
33	HANDLE - Door outside	10.527	
34	GASKET - Outside door handle to door	10.537	
35	NUT - Outside door handle to door	10.527	
36	CLIP - Outside door handle rod to handle spring	10.529	
37	ROD - Rear door outside handle to lock	10.529	
38	ADJUSTER - Pull rod to outside door handle ...	10.529	
39	SCREW - Clamp to window	10.792	
40	CLAMP - Cable attaching	10.792	
41	CHANNEL ASM. - Rear door glass lifter	10.747	
42	MOULDING ASM. - Rear door belt reveal, Outer	10.772	
43	WEATHERSTRIP	NSS	
44	GLASS - Rear door, Front	10.741	
45	HARNES ASM. - Electric door locks	10.485	
46	GROMMET - Electric door lock harness to door	10.485	
47	ACTUATOR KIT - Electric door lock	10.485	
48	SWITCH ASM. - Rear door power operated window	10.777	
49	REGULATOR, CABLE & PULLEY ASM. - Rear door power window	10.791	
50	CHANNEL ASM. - Glass run, Centre	10.759	
51	STRAP - Harness to door panel	10.485	



**PAINT PROTECTION PLATE PACKAGE
VL SERIES**

REF. NO.	PART NAME	GROUP
1	PLATE PACKAGE - Door paint protection	10.527
2	SCREW - Door paint protection plate to door	10.527



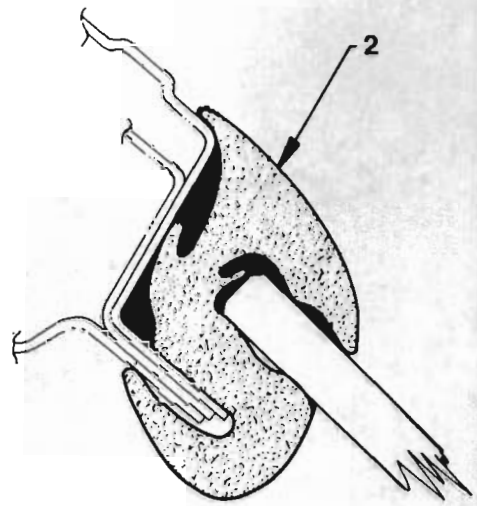
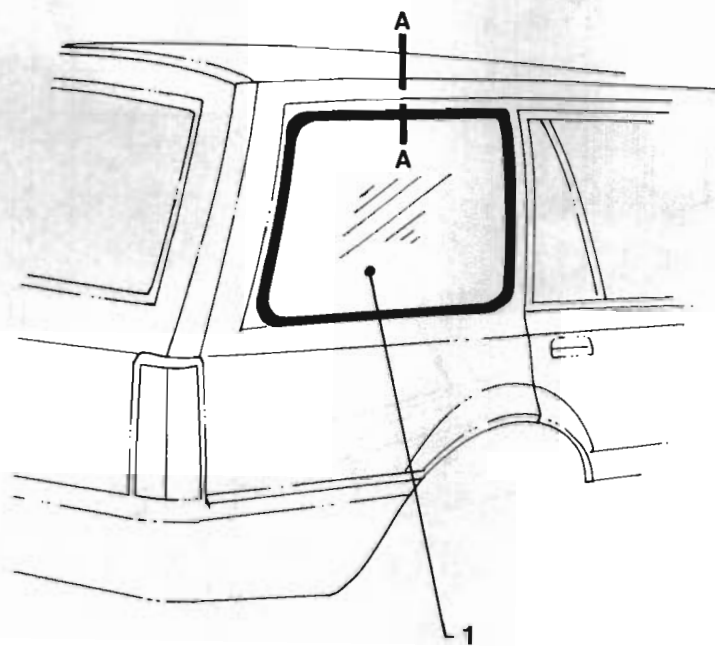
GROUP

11.000

**REAR GLASS
SEAT PARTS
INTERIOR LAMPS**

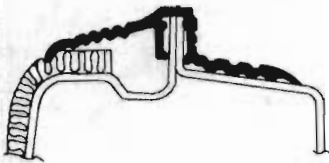
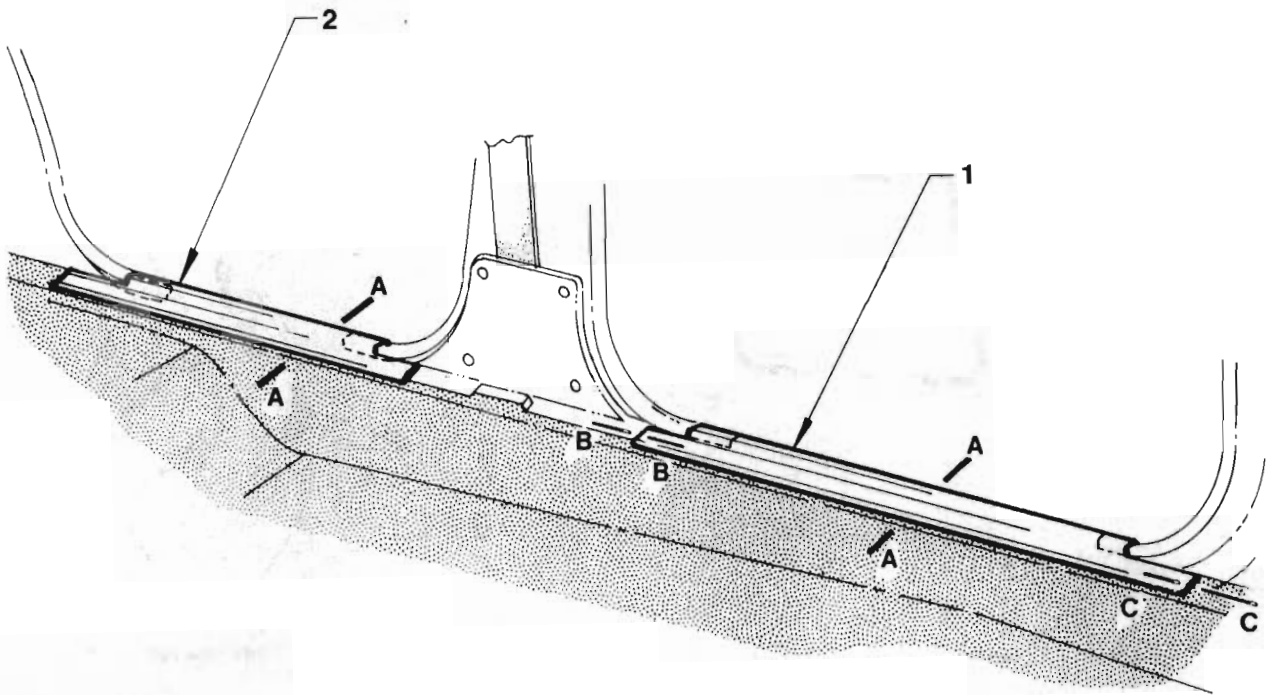


"V" SERIES PARTS CATALOGUE



REAR QUARTER GLASS CHANNEL WAGON VL SERIES

REF. NO.	PART NAME	GROUP
1	GLASS - Rear quarter window	11.011
2	CHANNEL - Rear quarter window.....	11.015



SECTION A-A



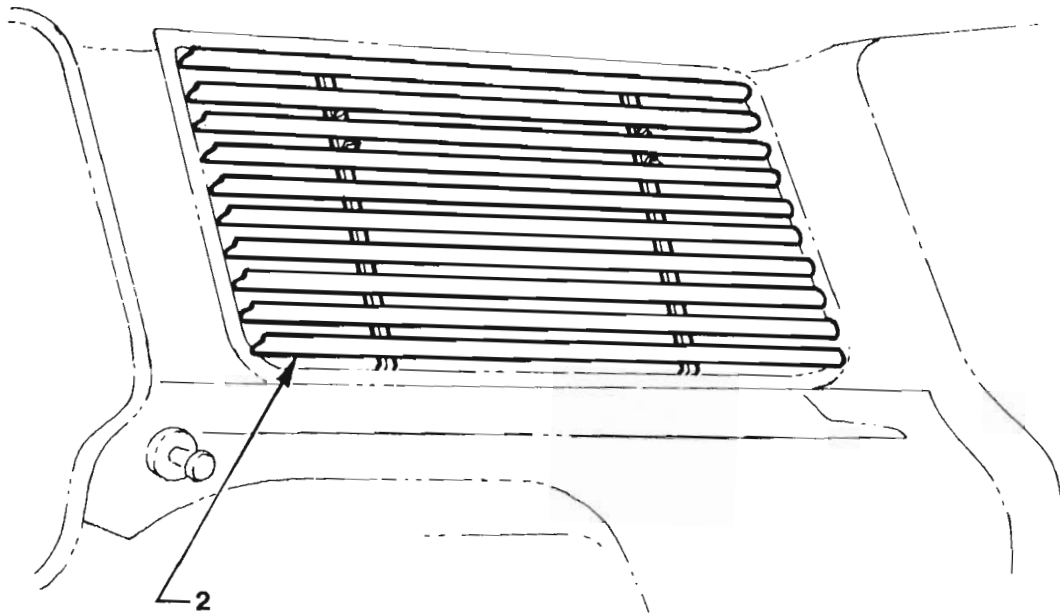
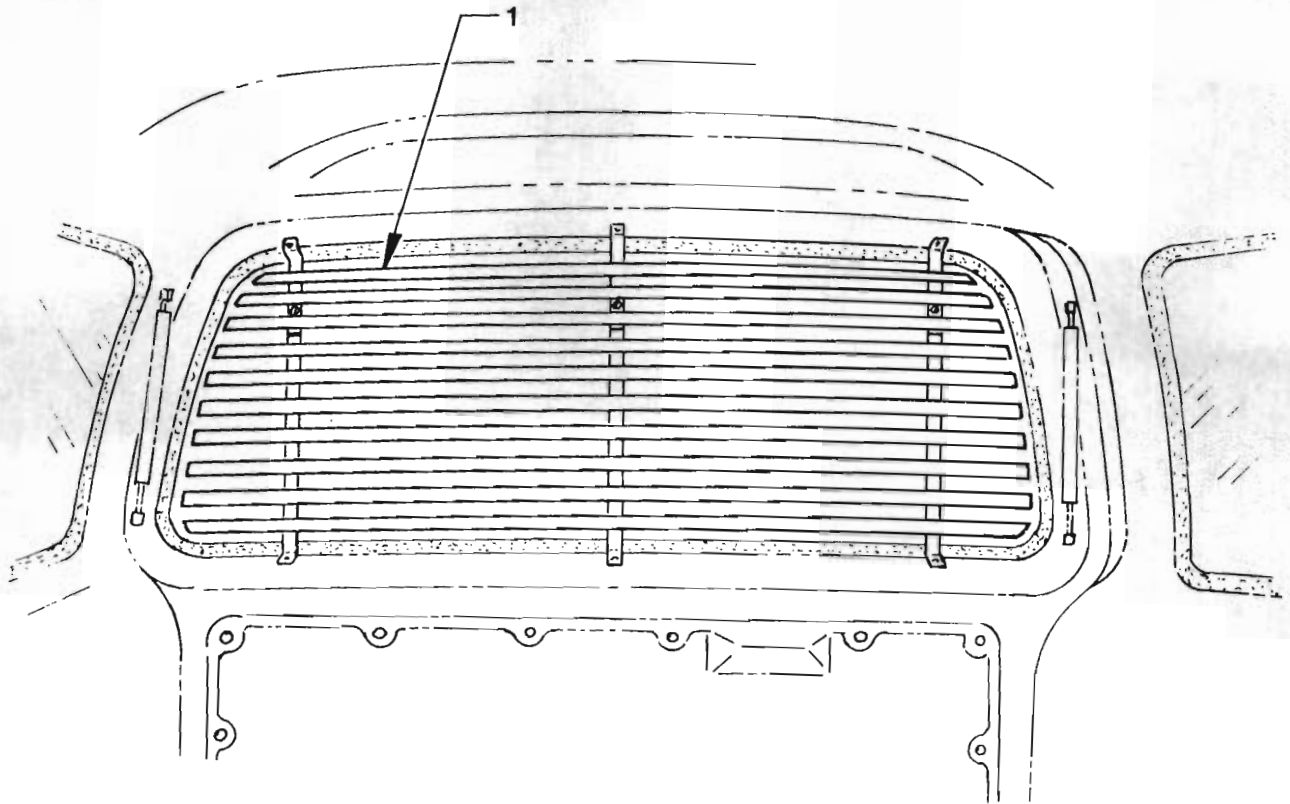
SECTION B-B



SECTION C-C

**DOOR SCUFF PLATES
VL SERIES**

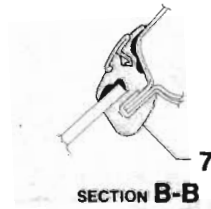
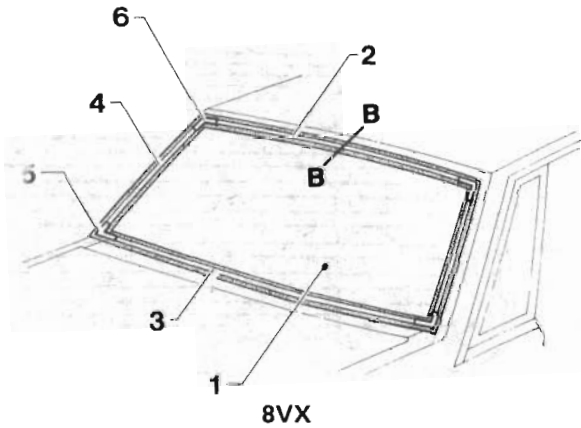
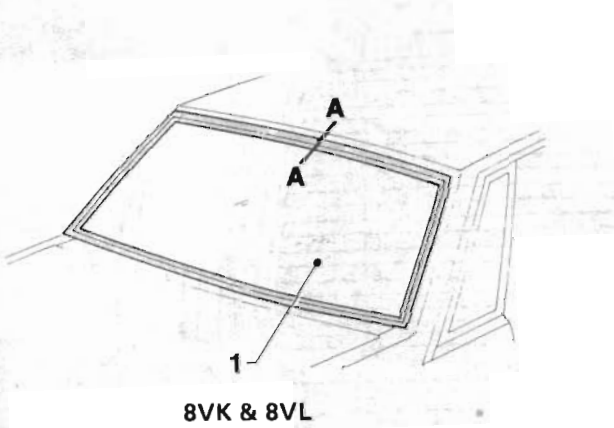
REF. NO.	PART NAME	GROUP
1	PLATE - Front door scuff.....	11.175
2	PLATE - Rear door scuff.....	11.175



REAR & SIDE WINDOW VENETIAN SHADE

**WAGON
VL SERIES**

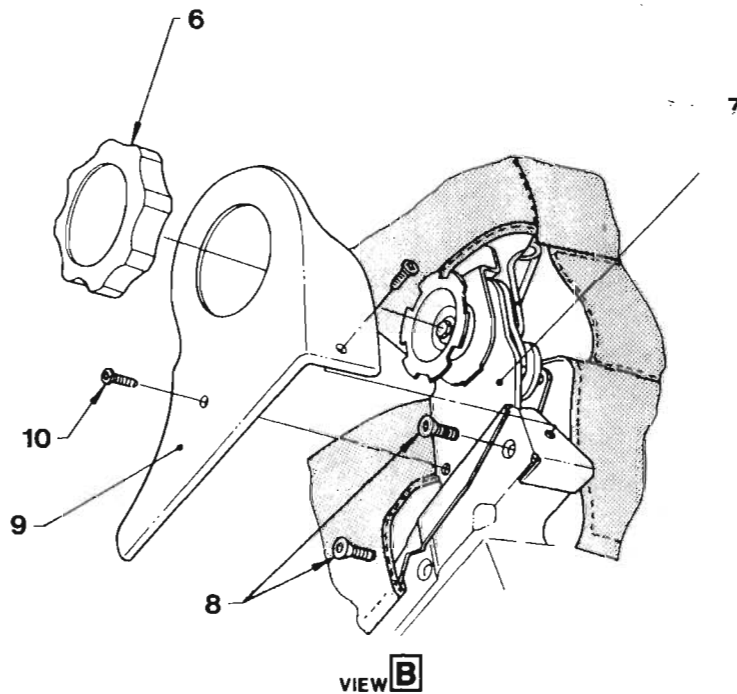
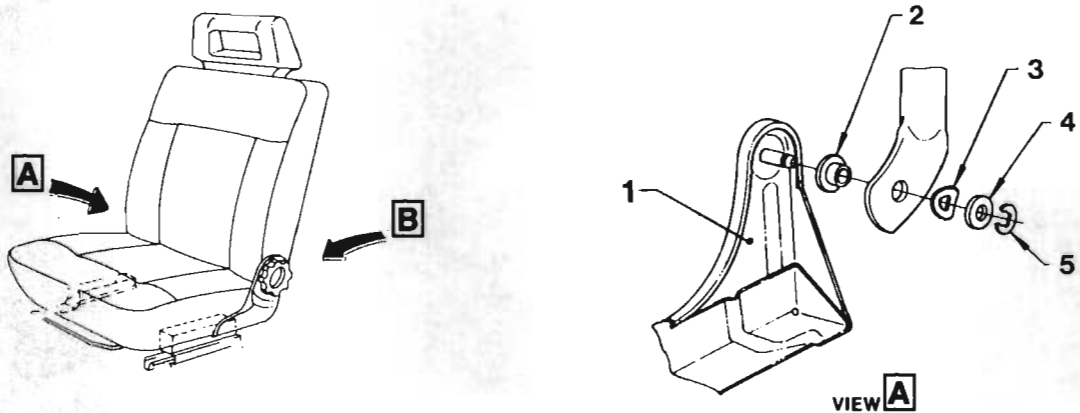
REF. NO.	PART NAME	GROUP
1	SHADE PACKAGE - Rear window.....	11.205
2	SHADE PACKAGE - Rear quarter window.....	11.205



REAR WINDOW GLASS

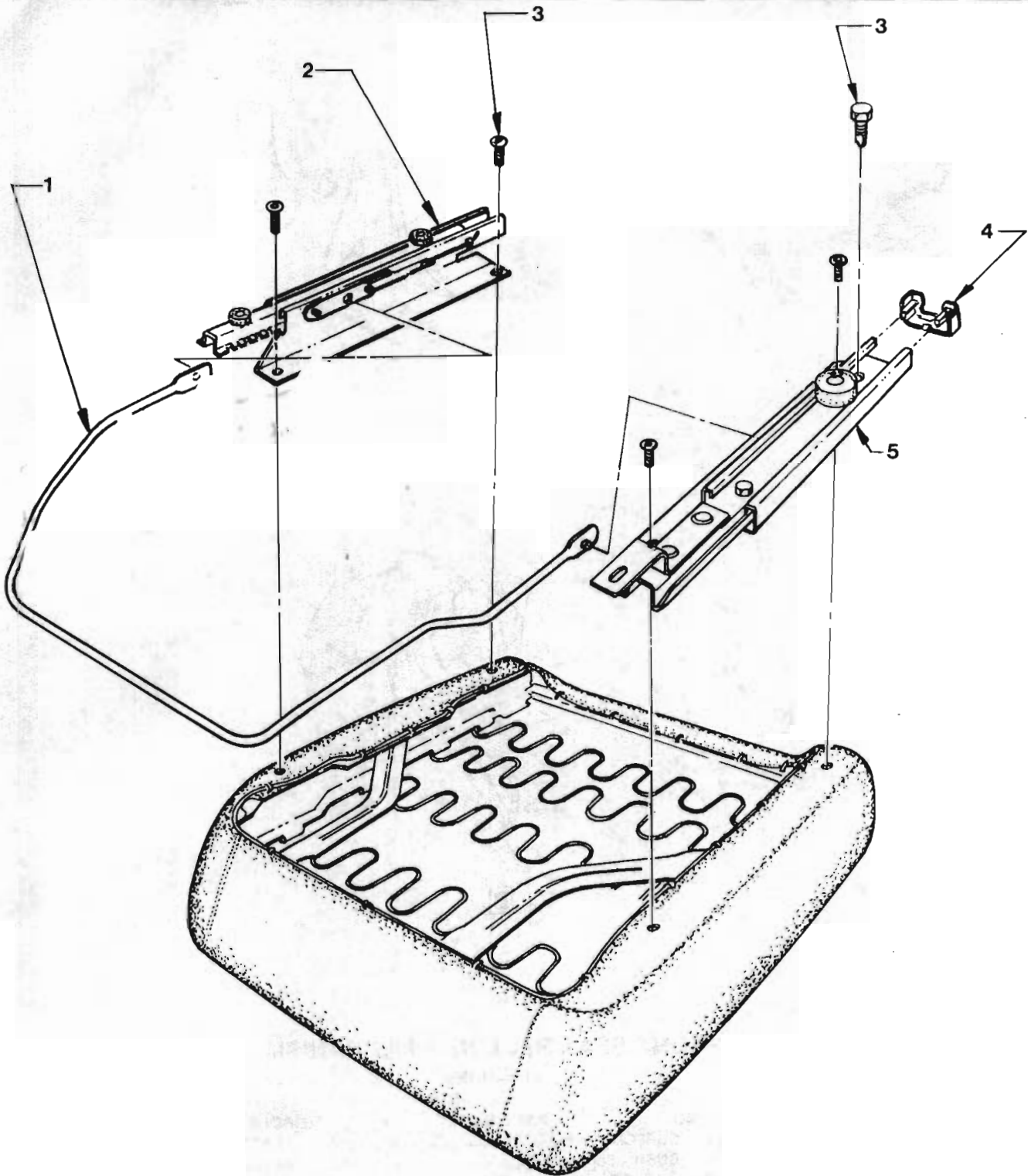
SEDAN
VL SERIES

REF. NO.	PART NAME	GROUP
1	GLASS - Rear window.....	11.204
2	MOULDING - Rear window, Upper reveal.....	11.208
3	MOULDING - Rear window, Lower reveal.....	11.208
4	MOULDING - Rear window, Side reveal.....	11.208
5	MOULDING - Rear window, Lower corner reveal.....	11.208
6	MOULDING - Rear window, Upper corner reveal.....	11.208
7	CHANNEL - Rear window glass.....	11.207



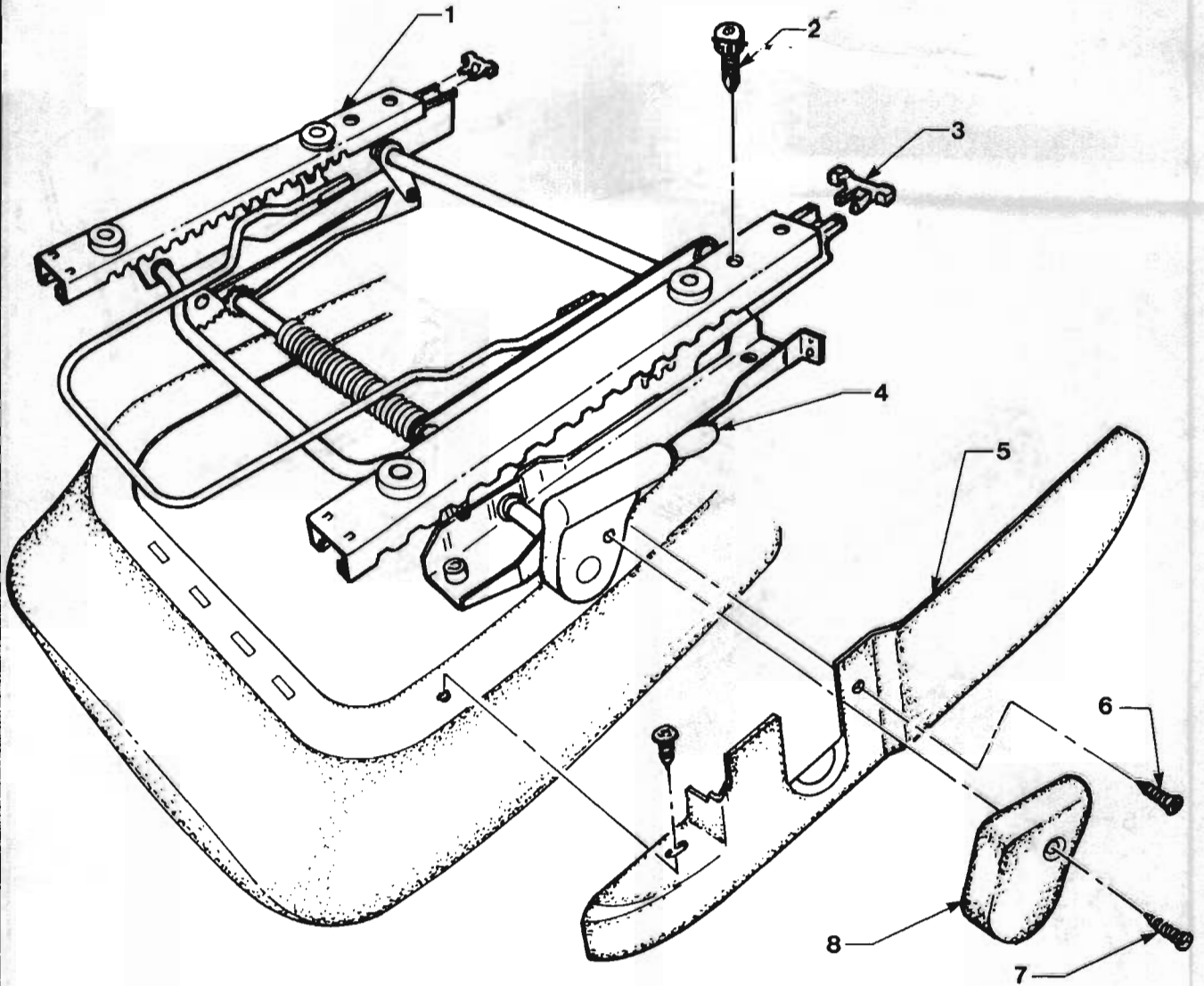
**FRONT SEAT RECLINER MECHANISM
VL SERIES**

REF. NO.	PART NAME	GROUP
1	SUPPORT ASM. - Hinge	11.377
2	BUSH - Support	11.377
3	WASHER - Tension	11.377
4	WASHER - Support	11.377
5	CIRCLIP - Support	11.377
6	KNOB - Recliner	11.377
7	RECLINER ASM.	NS
8	SCREW	NS
9	COVER - Front seat recliner mechanism	11.377
10	SCREW - Front seat recliner mechanism cover..	11.377



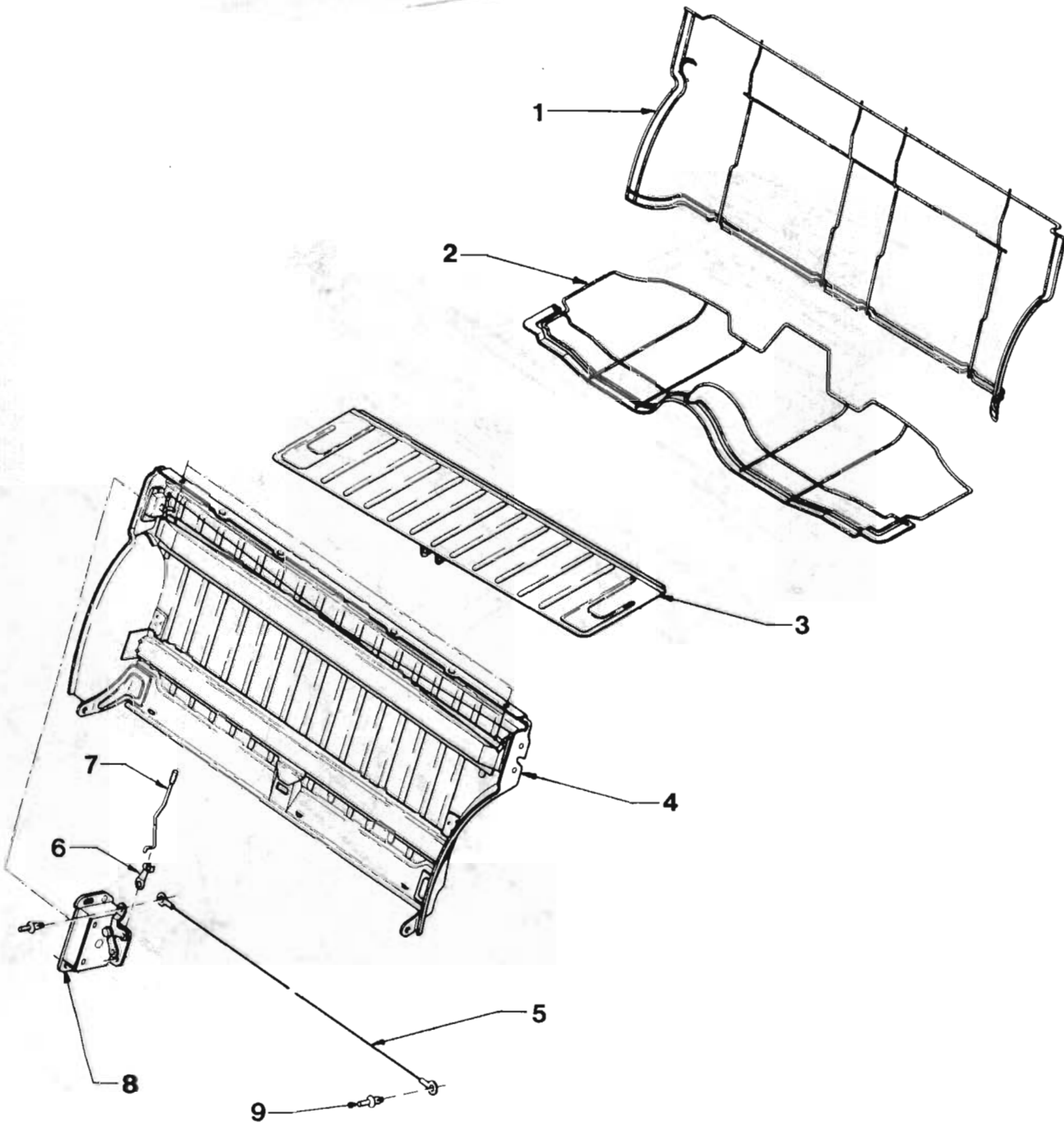
FRONT SEAT ADJUSTER - LH
VL SERIES

REF. NO.	PART NAME	GROUP
1	ROD ASM. - Operating.....	11.588
2	ADJUSTER ASM. - LH seat, LH.....	11.561
3	SCREW - Adjuster to seat.....	11.561
4	END PIECE - Seat adjuster.....	11.561
5	ADJUSTER ASM. - LH seat, RH.....	11.561



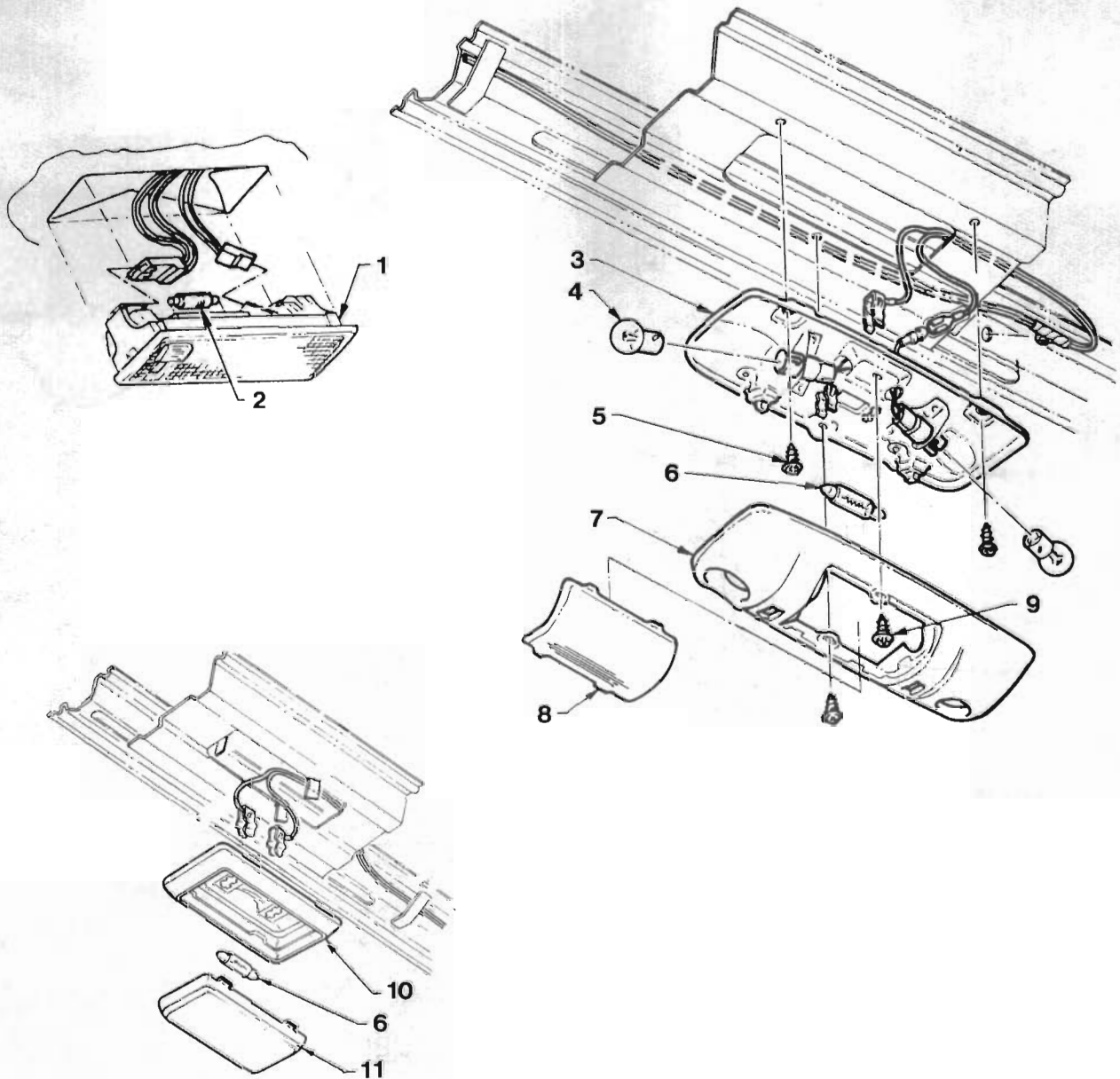
**FRONT SEAT ADJUSTER - RH
VL SERIES**

REF. NO.	PART NAME	GROUP
1	ADJUSTER ASM. - Front seat, Vertical lift	11.561
2	SCREW - Adjuster to seat	11.561
3	END PIECE - Seat adjuster	11.561
4	LEVER, PIN & SPRING ASM.	11.588
5	COVER - Vertical lift seat adjuster	11.573
6	SCREW - Cover	11.573
7	SCREW - Lever cover.....	11.573
8	COVER - Lever	11.573



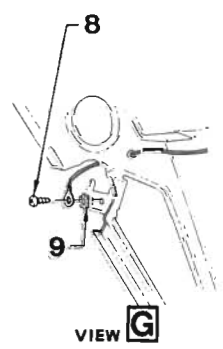
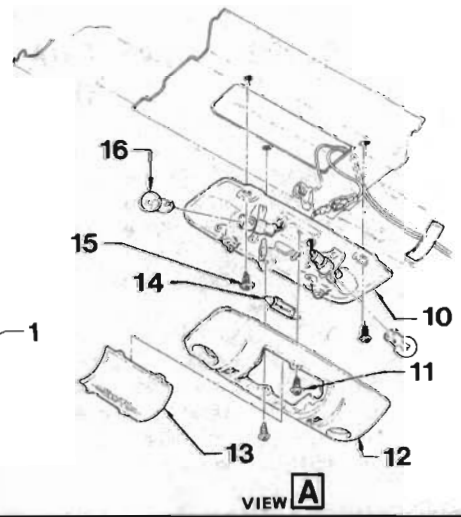
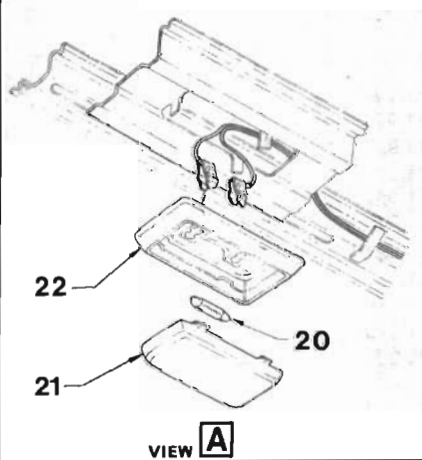
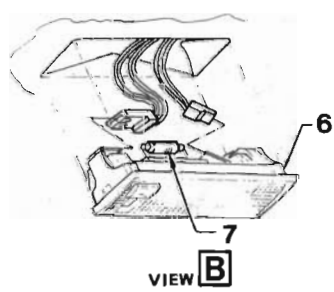
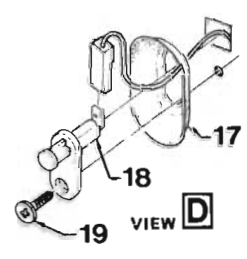
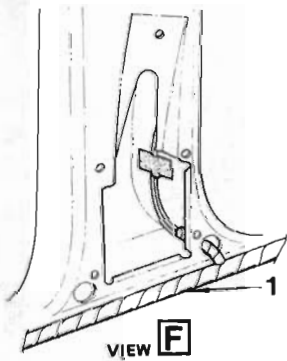
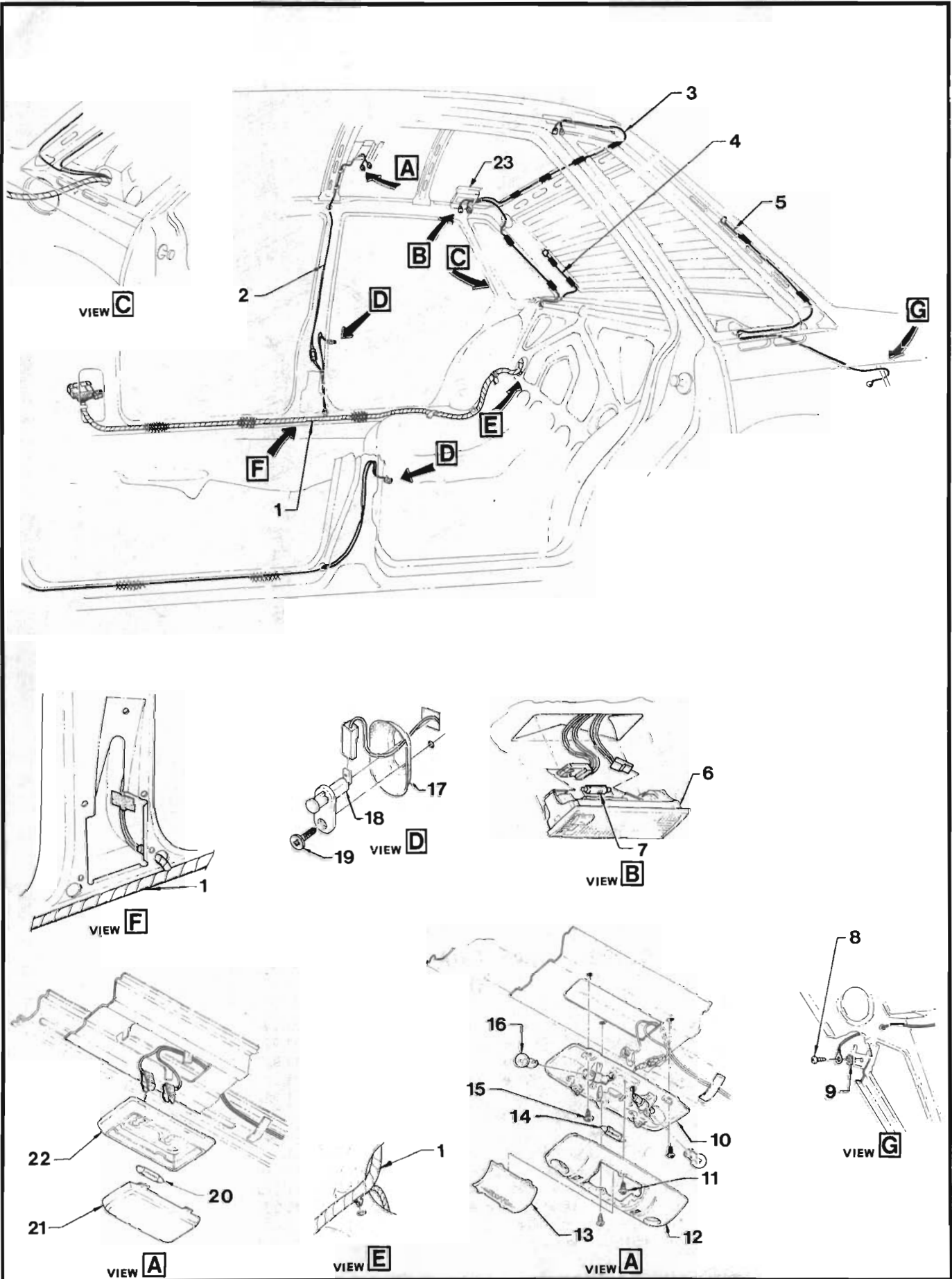
**REAR SEAT HARDWARE
WAGON
VL SERIES**

REF. NO.	PART NAME	GROUP
1	FRAME ASM. - Rear seat back	11.628
2	FRAME ASM. - Rear seat cushion	11.610
3	PANEL & HINGE - Filler	11.629
4	PANEL ASM. - Rear seat back & tonneau floor.	11.628
5	CABLE ASM. - Latch connecting	11.620
6	CLIP - Actuator rod to latch	11.620
7	ROD - Actuating	11.620
8	LATCH ASM. - Stop	11.620
9	RIVET - Cable to latch	11.620



**DOME & REAR QUARTER LAMP
VL SERIES**

REF. NO.	PART NAME	GROUP
1	LAMP ASM. - Quarter.....	11.927
2	BULB - Quarter lamp.....	11.927
3	REFLECTOR ASM. - Dome & reading lamp.....	11.927
4	BULB - Reading lamp.....	11.927
5	SCREW - Dome & reading lamp reflector to roof bow.....	11.927
6	BULB - Dome lamp.....	11.927
7	HOUSING ASM. - Dome & reading lamp.....	11.928
8	LENS - Dome & reading lamp.....	11.928
9	SCREW - Housing to reflector.....	11.927
10	BASE - Dome lamp.....	11.927
11	LENS - Dome lamp.....	11.928





PASSENGER COMPARTMENT WIRING

VL SERIES

ILLUSTRATION OPPOSITE

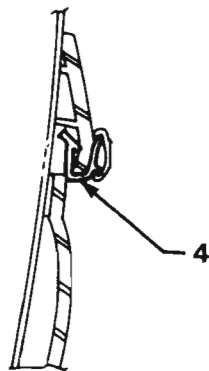
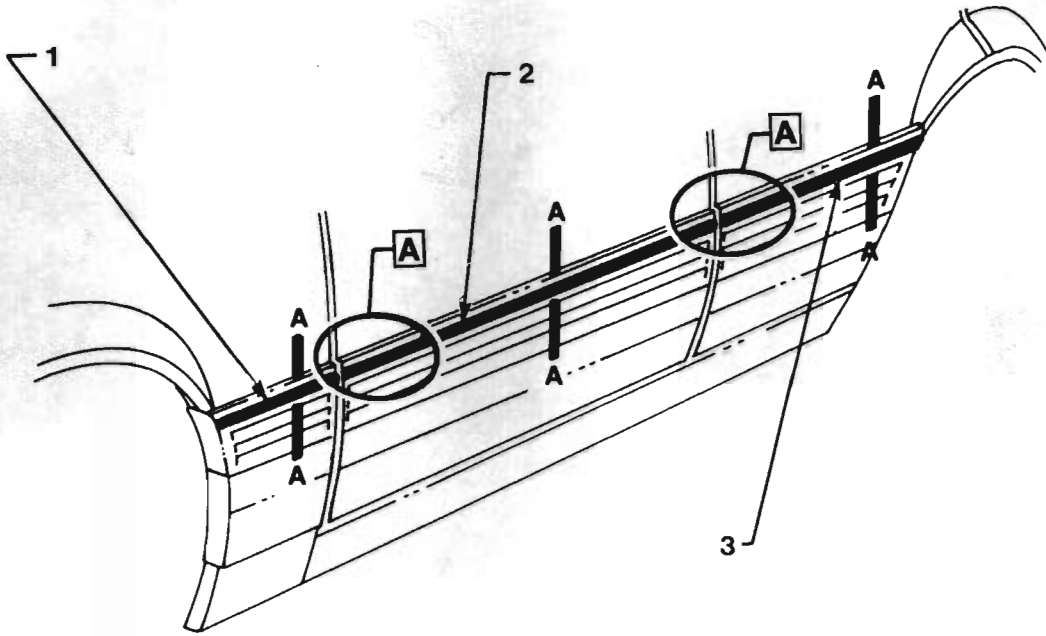
REF. NO.	PART NAME	GROUP
1	HARNESS ASM. - Body wiring.....	13.090
2	LEAD ASM. - Dome/Dome & reading lamp.....	11.927
3	HARNESS ASM. - Quarter lamp.....	11.927
4	HARNESS ASM. - Rear compartment.....	9.988
5	LEAD ASM. - Heated rear window earth.....	9.988
6	LAMP ASM. - Quarter lamp.....	11.927
7	BULB - Quarter lamp.....	11.927
8	SCREW - Earth lead to body.....	9.778
9	WASHER - Earth lead to body.....	9.778
10	REFLECTOR ASM. - Includes reading lamp, bulb holders & switches.....	11.927
11	SCREW - Reflector to roof bow.....	11.927
12	HOUSING ASM. - Dome & reading lamp.....	11.928
13	LENS - Dome lamp.....	11.928
14	BULB - Dome lamp.....	11.927
15	SCREW - Reflector to roof bow.....	11.927
16	BULB - Reading lamp.....	11.927
17	SEAL - Rear door dome lamp switch.....	11.950
18	SWITCH ASM. - Rear door dome lamp.....	11.950
19	SCREW - Switch attaching.....	11.950
20	BULB - Dome lamp.....	11.927
21	LENS - Dome lamp.....	11.928
22	BASE - Dome lamp.....	11.927
23	BRACKET - Rear quarter lamp.....	11.927



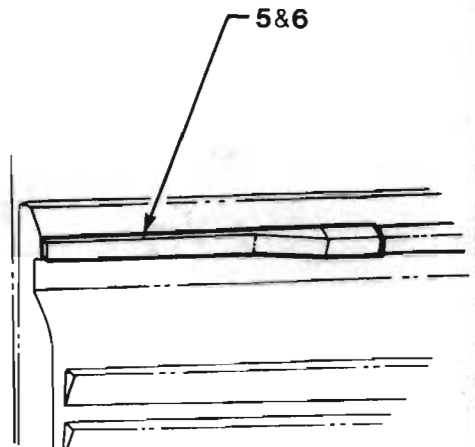
GROUP

12.000

**BODY MOULDINGS
SHEET METAL**



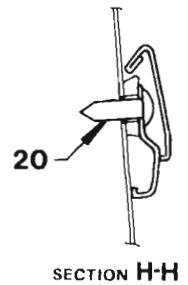
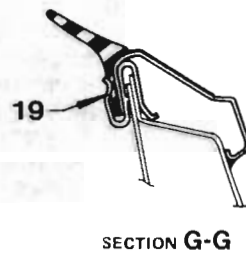
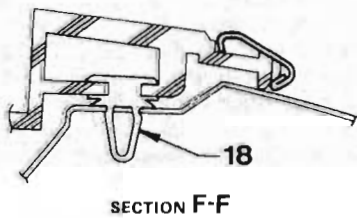
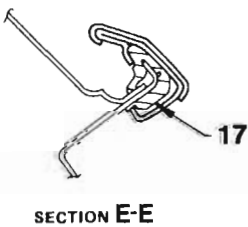
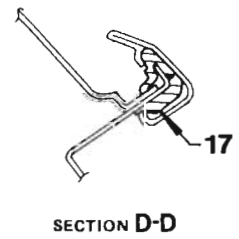
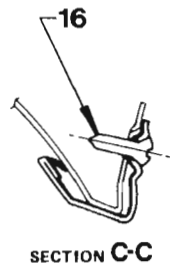
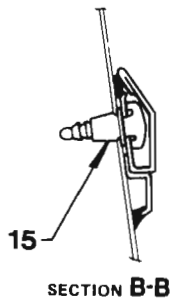
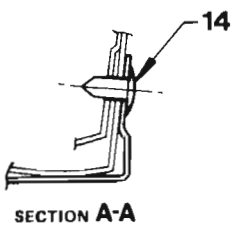
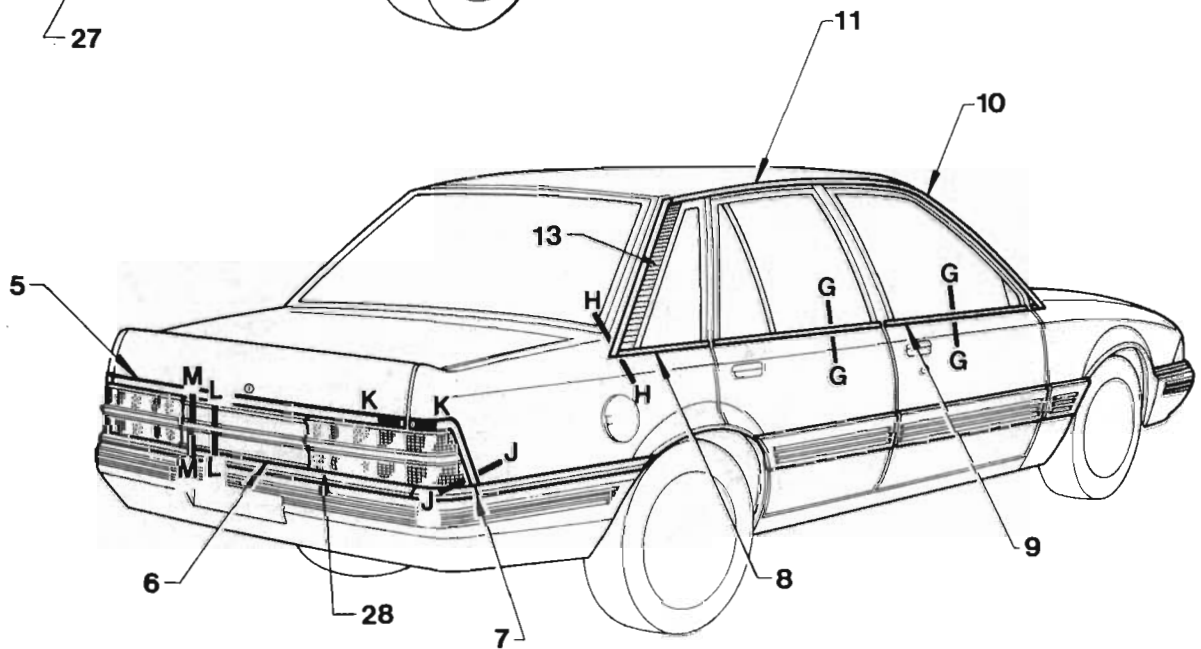
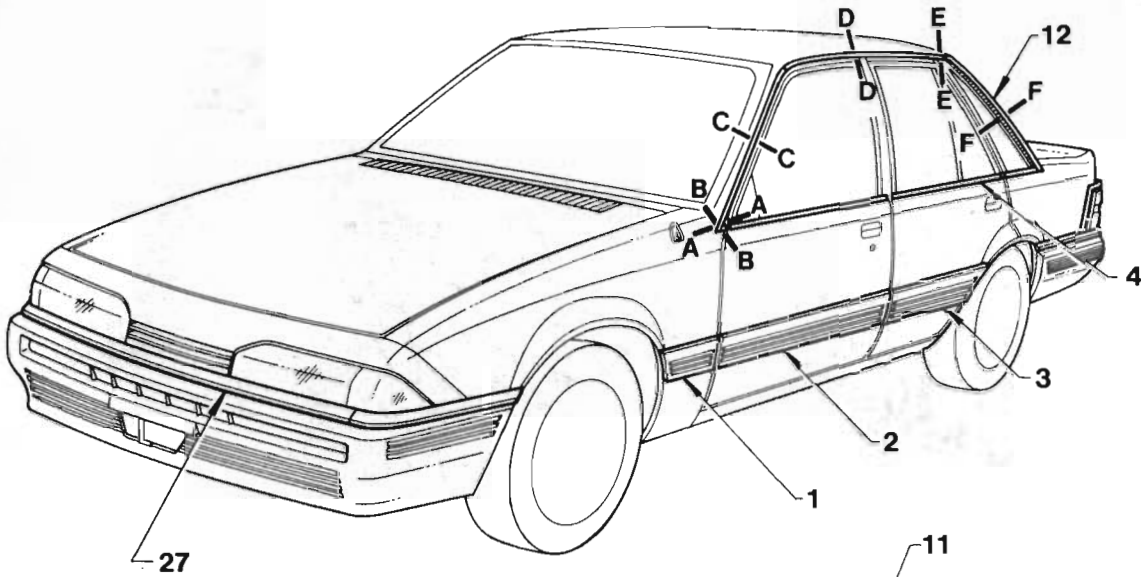
SECTION A-A

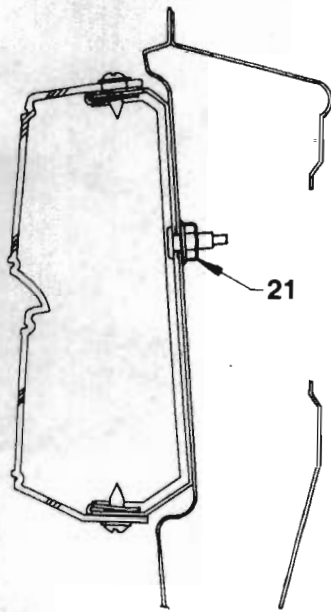


VIEW A

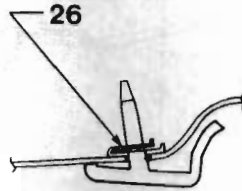
**FINISHER STRIP - BODY SIDE MOULDINGS
VL SERIES**

REF. NO.	PART NAME	GROUP
1	STRIP - Front fender moulding, Finish.....	8.132
2	STRIP - Front door side mouldings, Finish	12.112
3	STRIP - Rear door side moulding, Finish	12.114
4	RETAINER - Finisher strip to moulding.....	8.132
5	EXTENSION ASM. - Rear door side moulding finisher strip	12.114
6	EXTENSION ASM. - Front door side moulding finisher strip	12.112

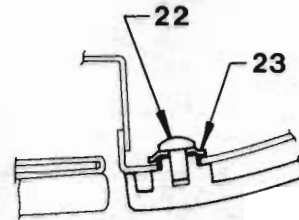




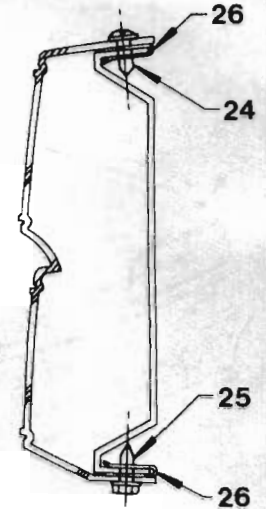
SECTION L-L



SECTION J-J



SECTION K-K



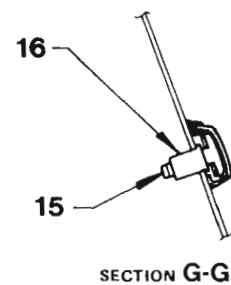
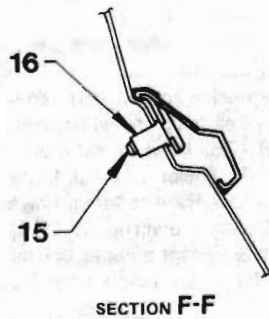
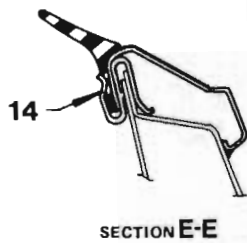
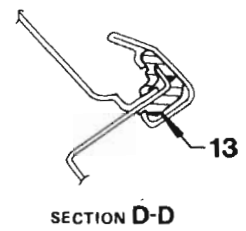
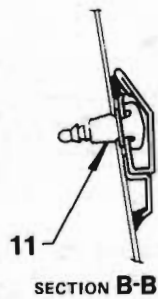
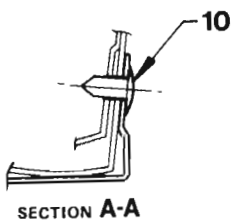
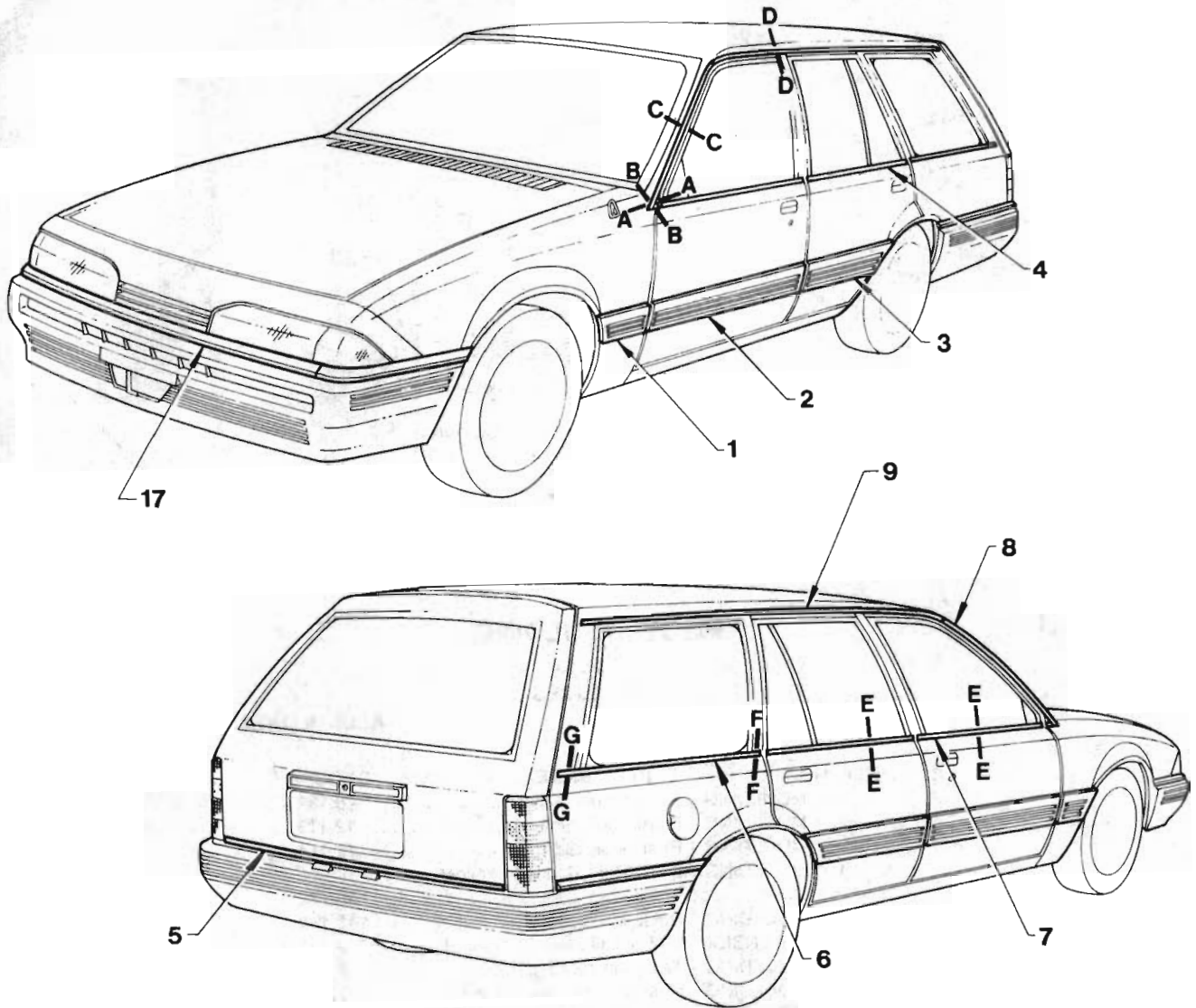
SECTION M-M

BODY MOULDINGS

**8VK19
VL SERIES**

ILLUSTRATION ABOVE & OPPOSITE

REF. NO.	PART NAME	GROUP
1	MOULDING - Front fender, Lower.....	8.132
2	MOULDING - Front door, Side.....	12.112
3	MOULDING - Rear door, Side.....	12.114
4	MOULDING ASM. - Rear door belt reveal, Outer.....	10.772
5	MOULDING - Deck lid.....	12.182
6	EXTENSION ASM. - Tail lamp.....	2.681
7	MOULDING - Tail lamp reveal.....	2.681
8	MOULDING - Rear quarter glass reveal.....	11.031
9	MOULDING ASM. - Front door belt reveal, Outer.....	10.707
10	MOULDING - Roof pillar reveal, Front.....	12.075
11	MOULDING - Roof reveal, Side.....	12.075
12	MOULDING - Roof pillar reveal, Rear.....	12.075
13	MOULDING - Rear quarter ventilation grille.....	12.942
14	SCREW - Roof pillar reveal front moulding to pillar - Lower.....	12.075
15	BUSH - Roof pillar reveal front moulding to fender.....	12.075
16	SCREW - Roof pillar reveal front moulding to pillar, Upper.....	12.075
17	CLIP - Roof reveal side moulding.....	12.075
18	RETAINER - Roof pillar reveal moulding, Rear.....	12.075
19	CLIP - Moulding to door.....	10.707
20	SCREW - Rear quarter glass garnish moulding to body.....	11.031
21	NUT - Extension to rear end panel.....	2.681
22	SCREW - Tail lamp reveal moulding.....	2.681
23	WASHER - Tail lamp reveal moulding.....	2.681
24	SCREW - Extension to lamp, Upper.....	2.681
25	SCREW - Extension to lamp, Lower.....	2.681
26	NUT - Moulding retaining.....	2.681
27	MOULDING - Front bumper bar facia, Upper.....	7.832
28	MOULDING - Rear bumper bar facia, Upper.....	7.832



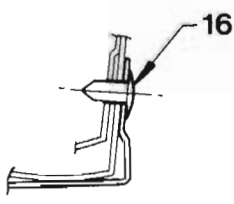
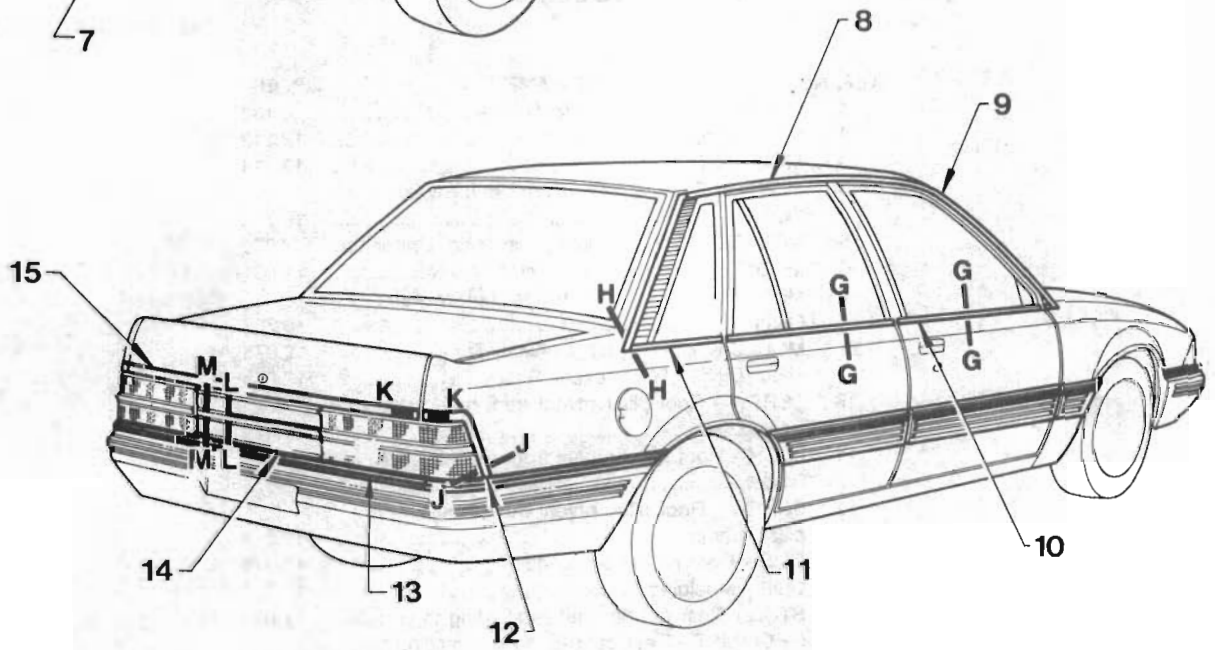
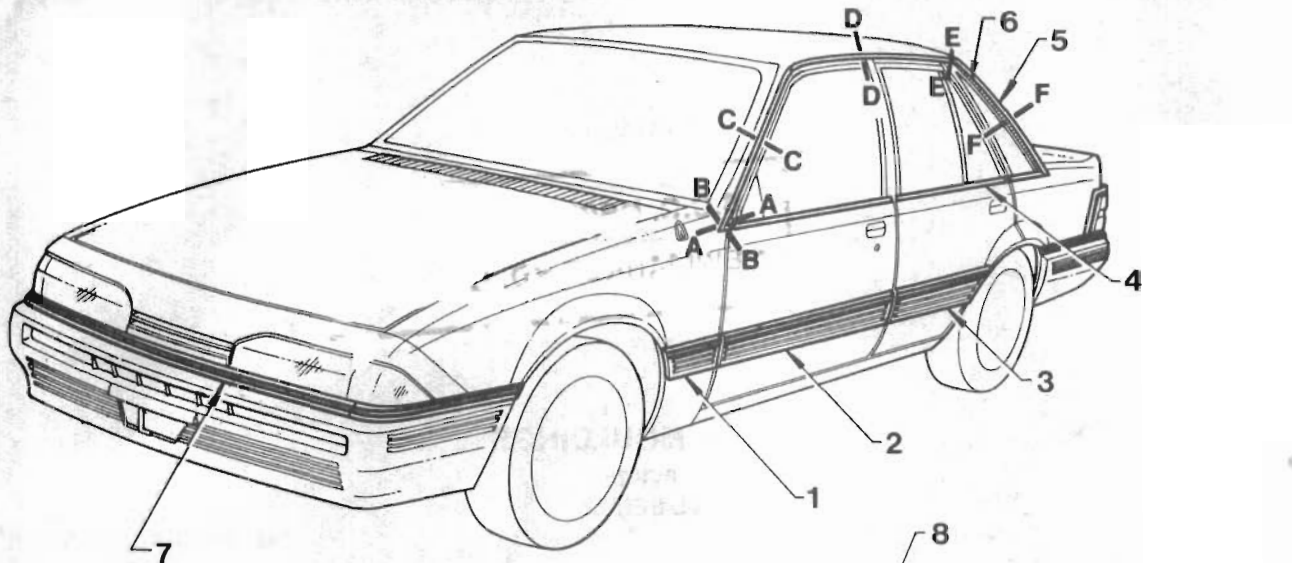


BODY MOULDINGS

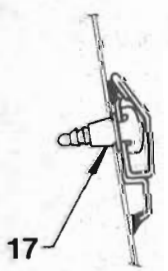
**8VK35
VL SERIES**

ILLUSTRATION OPPOSITE

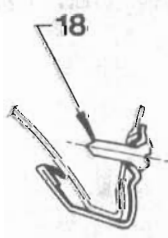
REF. NO.	PART NAME	GROUP
1	MOULDING - Front fender, Lower.....	8.132
2	MOULDING - Front door side.....	12.112
3	MOULDING - Rear door side.....	12.114
4	MOULDING ASM. - Rear door belt reveal, Outer.....	10.772
5	MOULDING - Rear bumper bar facia, Upper.....	7.832
6	MOULDING - Rear quarter glass reveal.....	11.031
7	MOULDING ASM. - Front door belt reveal, Outer.....	10.707
8	MOULDING - Roof pillar reveal, Front.....	12.075
9	MOULDING - Roof reveal, Side.....	12.075
10	SCREW - Roof pillar reveal front moulding to pillar, Lower.....	12.075
11	BUSH - Roof pillar reveal front moulding to fender.....	12.075
12	SCREW - Roof pillar reveal front moulding to pillar, Upper.....	12.075
13	CLIP - Roof reveal side moulding.....	12.075
14	CLIP - Moulding to door.....	10.707
15	STUD - Rear quarter glass moulding to body.....	11.031
16	GROMMET - Rear quarter glass moulding to body.....	11.031
17	MOULDING - Front bumper bar facia, Upper.....	7.832



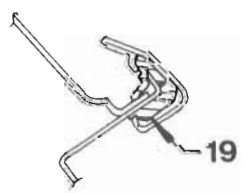
SECTION A-A



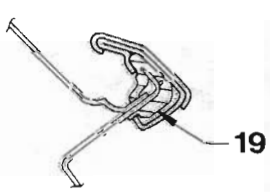
SECTION B-B



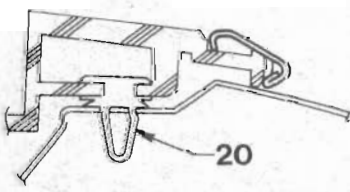
SECTION C-C



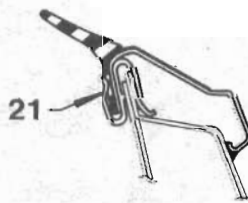
SECTION D-D



SECTION E-E



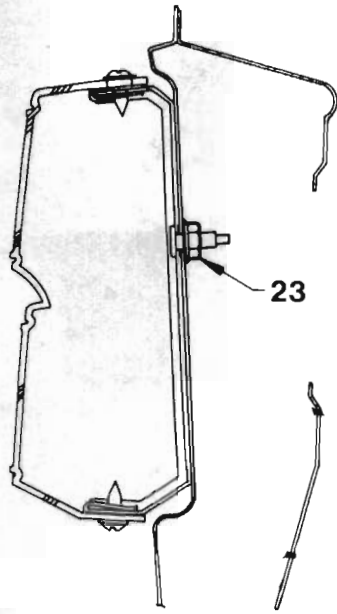
SECTION F-F



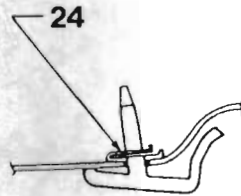
SECTION G-G



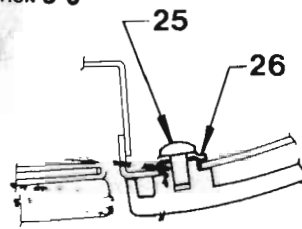
SECTION H-H



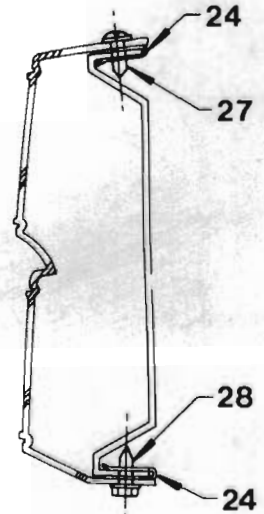
SECTION L-L



SECTION J-J



SECTION K-K



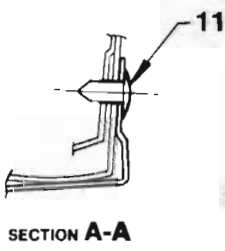
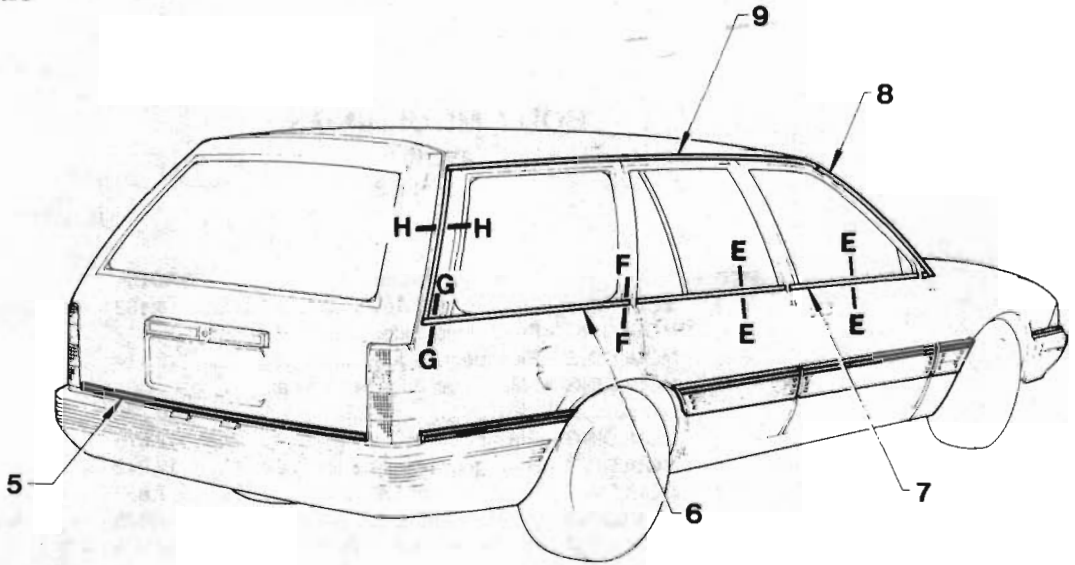
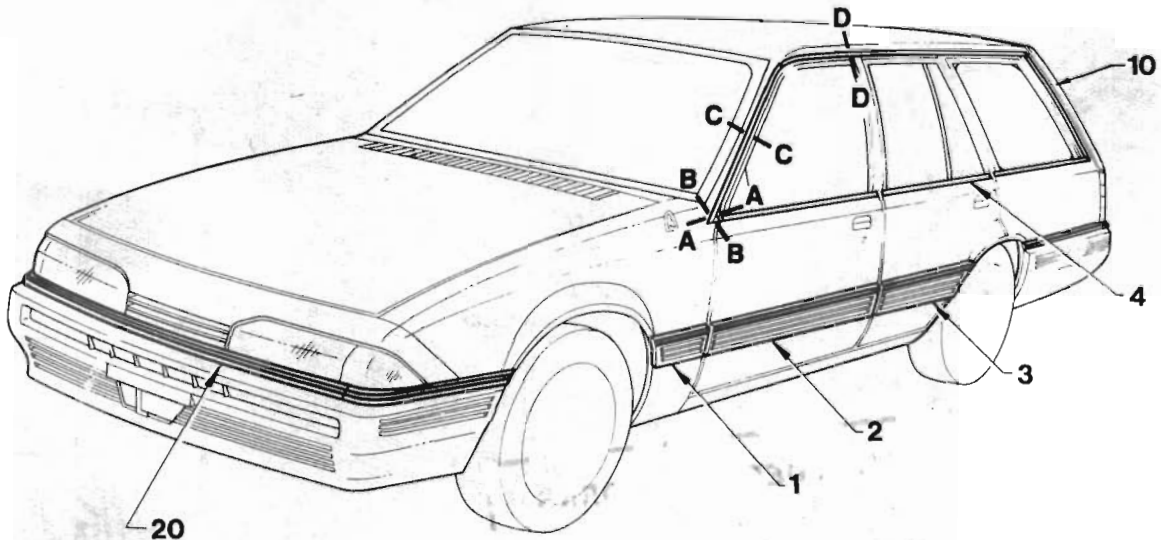
SECTION M-M

BODY MOULDINGS

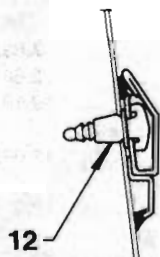
8VL19
VL SERIES

ILLUSTRATION OPPOSITE

REF. NO.	PART NAME	GROUP
1	MOULDING - Front fender, Lower.....	8.132
2	MOULDING - Front door, Side.....	12.112
3	MOULDING - Rear door, Side.....	12.114
4	MOULDING ASM. - Rear door belt reveal, Outer.....	10.772
5	MOULDING - Roof pillar reveal, Rear.....	12.075
6	MOULDING - Rear quarter ventilation grille.....	12.942
7	MOULDING - Front bumper bar facia, Upper.....	7.832
8	MOULDING - Roof reveal, Side.....	12.075
9	MOULDING - Roof pillar reveal, Front.....	12.075
10	MOULDING ASM. - Front door belt reveal, Outer.....	10.707
11	MOULDING - Rear quarter glass reveal.....	11.031
12	MOULDING - Tail lamp reveal.....	2.681
13	MOULDING - Rear bumper bar facia, Upper.....	7.832
14	EXTENSION ASM. - Tail lamp.....	2.681
15	MOULDING - Deck lid.....	12.182
16	SCREW - Roof pillar reveal front moulding to pillar, Lower.....	12.075
17	BUSH - Roof pillar reveal front moulding to fender.....	12.075
18	SCREW - Roof pillar reveal front moulding to pillar, Upper.....	12.075
19	CLIP - Roof reveal side moulding.....	12.075
20	RETAINER - Roof pillar reveal moulding, Rear...	12.075
21	CLIP - Moulding to door.....	10.707
22	SCREW - Rear quarter glass garnish moulding to body.....	11.031
23	NUT - Extension to rear end panel.....	2.681
24	NUT - Moulding retaining.....	2.681
25	SCREW - Tail lamp reveal moulding.....	2.681
26	WASHER - Moulding.....	2.681
27	SCREW - Extension to tail lamp, Upper.....	2.681
28	SCREW - Extension to tail lamp, Lower.....	2.681



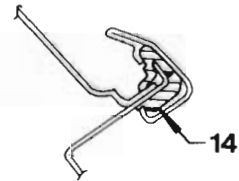
SECTION A-A



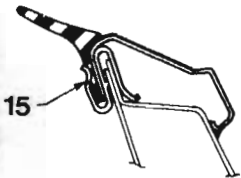
SECTION B-B



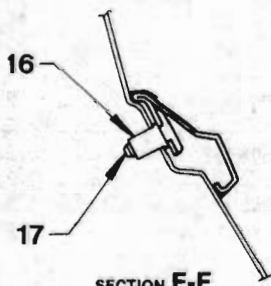
SECTION C-C



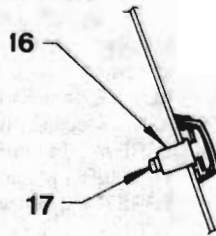
SECTION D-D



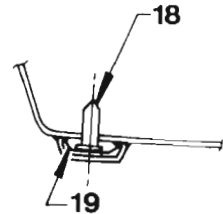
SECTION E-E



SECTION F-F



SECTION G-G



SECTION H-H

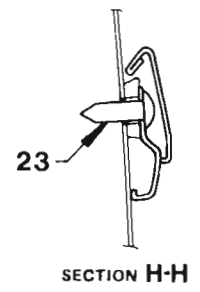
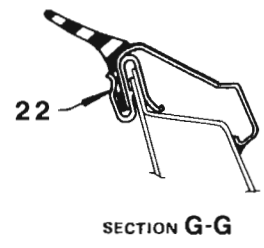
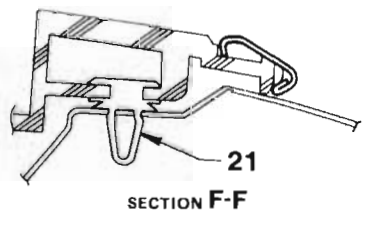
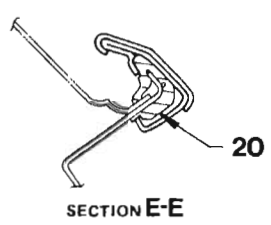
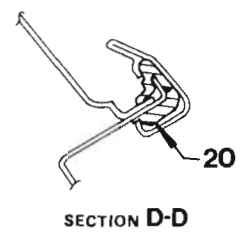
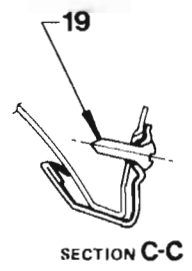
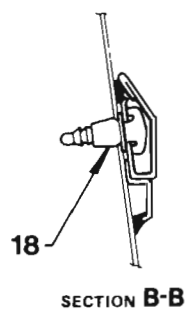
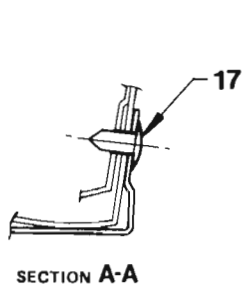
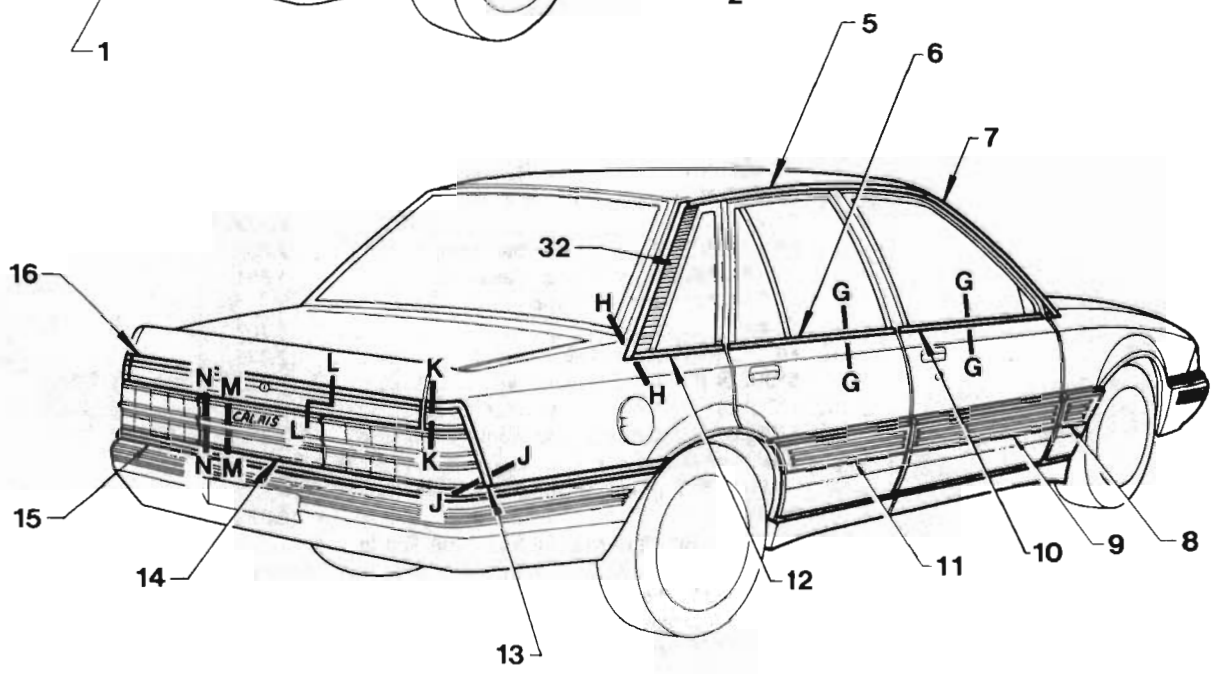
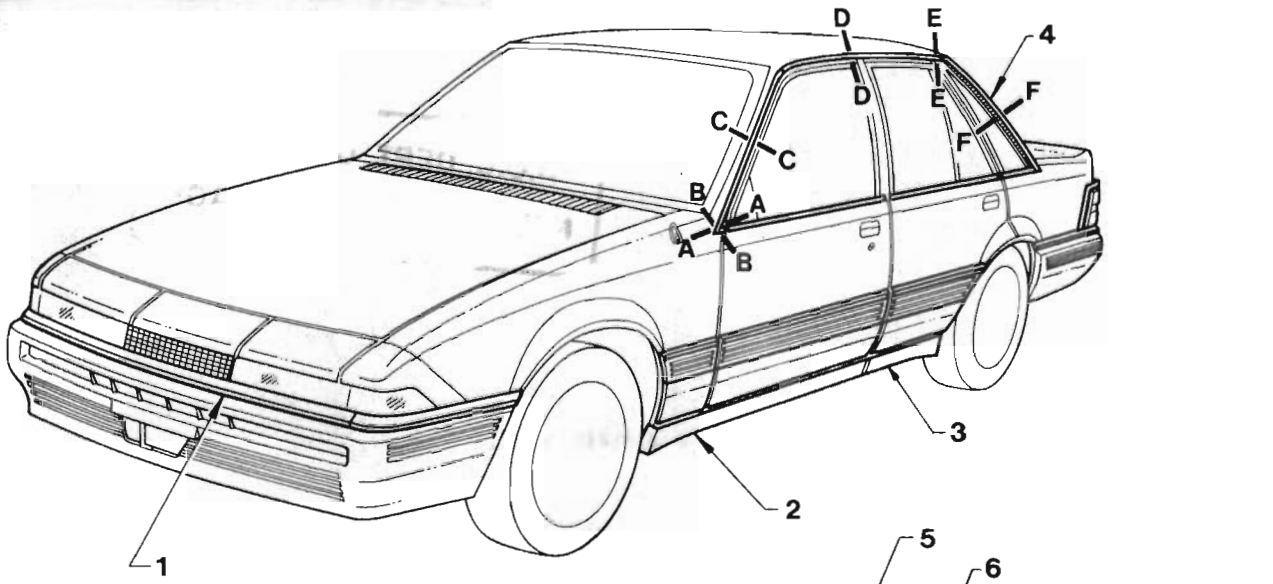


BODY MOULDINGS

**8VL35
VL SERIES**

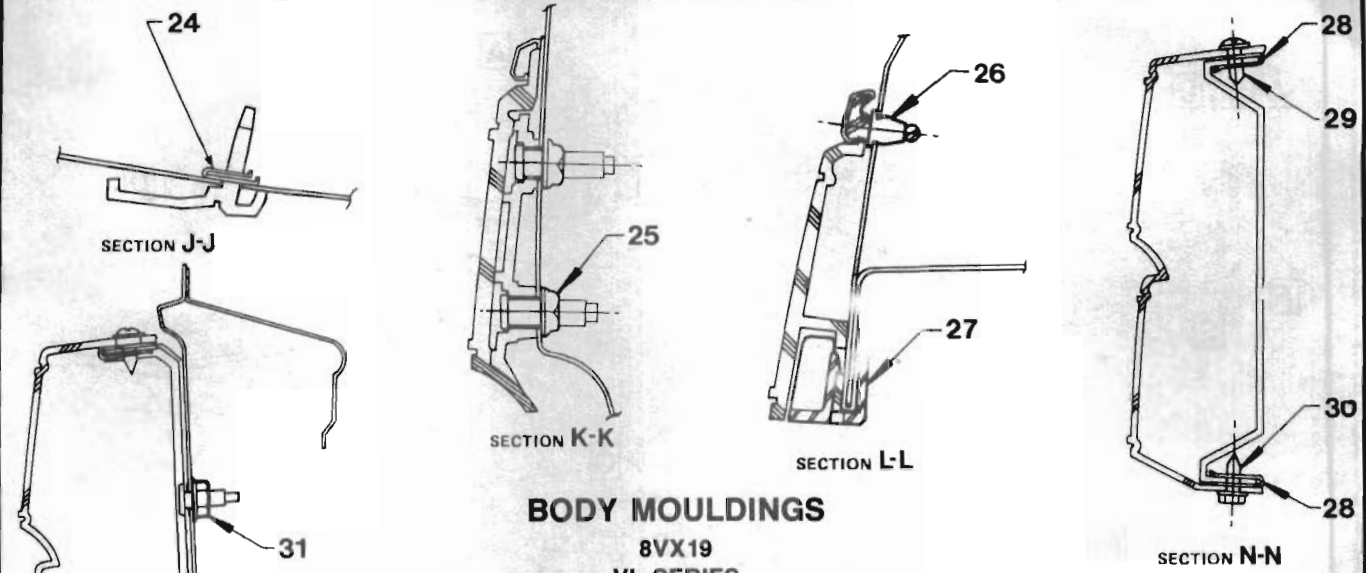
ILLUSTRATION OPPOSITE

REF. NO.	PART NAME	GROUP
1	MOULDING - Front fender, Lower.....	8.132
2	MOULDING - Front door side.....	12.112
3	MOULDING - Rear door side.....	12.114
4	MOULDING ASM. - Rear door belt reveal, Outer.....	10.772
5	MOULDING - Rear bumper bar facia, Upper.....	7.832
6	MOULDING - Rear quarter glass reveal.....	11.031
7	MOULDING ASM. - Front door belt reveal, Outer.....	10.707
8	MOULDING - Roof pillar reveal, Front.....	12.075
9	MOULDING - Roof reveal side.....	12.075
10	MOULDING - Rear quarter pillar.....	12.116
11	SCREW - Roof pillar reveal front moulding to pillar, Lower.....	12.075
12	BUSH - Roof pillar reveal front moulding to fender.....	12.075
13	SCREW - Roof pillar reveal front moulding to pillar, Upper.....	12.075
14	CLIP - Roof reveal side moulding.....	12.075
15	CLIP - Moulding to door.....	10.707
16	GROMMET - Rear quarter glass moulding to body.....	11.031
17	STUD - Rear quarter glass moulding to body.....	11.031
18	SCREW - Moulding to rear quarter pillar.....	12.116
19	CLIP - Moulding to rear quarter pillar.....	12.116
20	MOULDING - Front bumper bar facia, Upper.....	7.832





"V" SERIES PARTS CATALOGUE

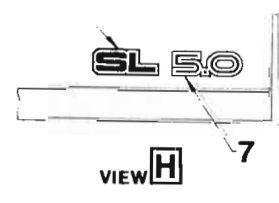
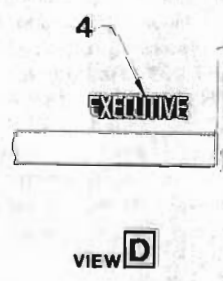
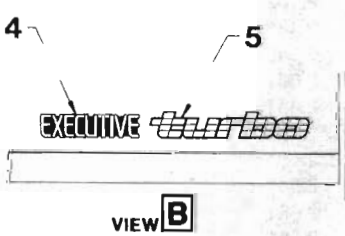
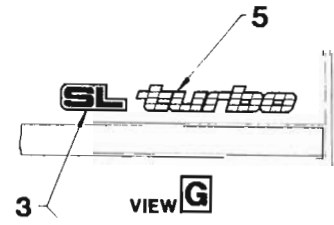
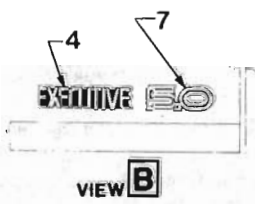
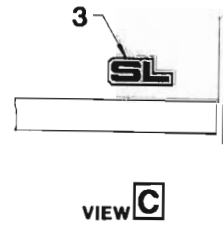
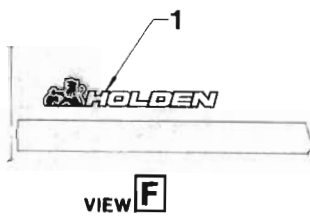
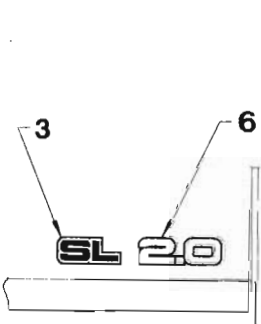
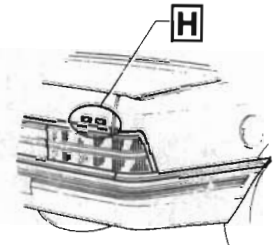
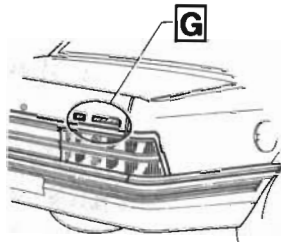
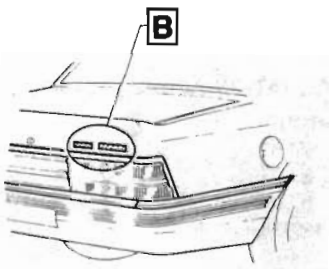
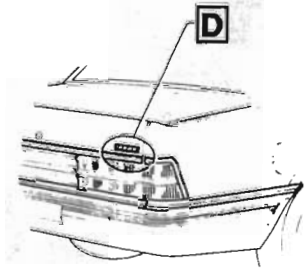
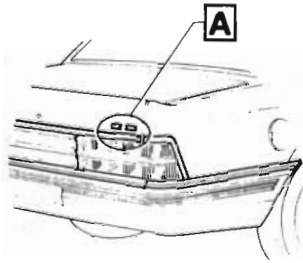
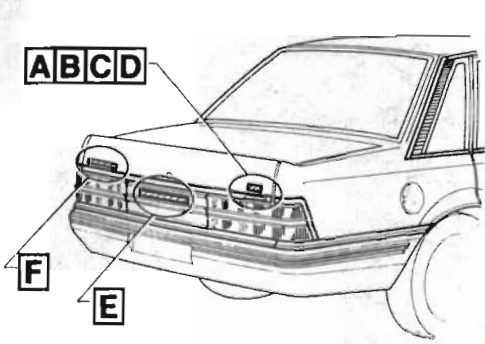


BODY MOULDINGS

8VX19
VL SERIES

ILLUSTRATION ABOVE & OPPOSITE

REF. NO.	PART NAME	GROUP
1	MOULDING - Front bumper bar facia, Upper	7.832
2	MOULDING - Rocker panel, Front.....	8.304
3	MOULDING - Rocker panel, Rear	8.304
4	MOULDING - Roof pillar reveal, Rear.....	12.075
5	MOULDING - Roof reveal, Side	12.075
6	MOU' _ ASM. - Rear door belt reveal, Outer.....	10.772
7	MOULDING - Roof pillar reveal, Front.....	12.075
8	MOULDING - Front fender, Lower.....	8.132
9	MOULDING - Front door, Side.....	12.112
10	MOULDING ASM. - Front door belt reveal, Outer.....	10.707
11	MOULDING - Rear door, Side.....	12.114
12	MOULDING - Rear quarter glass reveal.....	11.031
13	MOULDING - Tail lamp reveal.....	2.681
14	EXTENSION ASM. - Tail lamp	2.681
15	MOULDING - Rear bumper bar facia, Upper.....	7.832
16	MOULDING - Deck lid	12.182
17	SCREW - Roof pillar reveal front moulding to pillar, Lower	12.075
18	BUSH - Roof pillar reveal front moulding to fender.....	12.075
19	SCREW - Roof pillar reveal front moulding to pillar, Upper	12.075
20	CLIP - Roof reveal side moulding.....	12.075
21	RETAINER - Roof pillar reveal moulding, Rear...	12.075
22	CLIP - Moulding to door	10.707
23	SCREW - Rear quarter glass garnish moulding to body	11.031
24	NUT - Moulding retaining.....	2.681
25	NUT - Moulding retaining.....	2.681
26	BUSH - Moulding retaining, Deck lid.....	12.182
27	CLIP - Moulding retaining, Deck lid	12.182
28	NUT - Moulding retaining, Deck lid.....	12.182
13	MOULDING - Rear quarter ventilation grille	12.942
22	WASHER - Tail lamp reveal moulding	2.681
23	SCREW - Tail lamp reveal moulding	2.681
24	WASHER - Tail lamp reveal moulding	2.681
28	NUT - Moulding retaining.....	2.681
29	SCREW - Extension to tail lamp, Upper.....	2.681
30	SCREW - Extension to tail lamp, Lower.....	2.681
30	WASHER - Moulding	2.681
31	NUT - Extension to rear end panel	2.681
32	MOULDING - Rear quarter ventilation grille.....	12.942



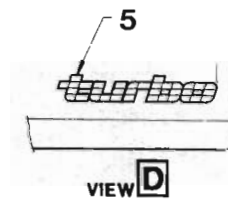
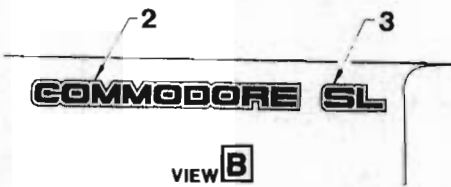
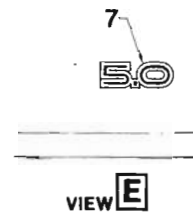
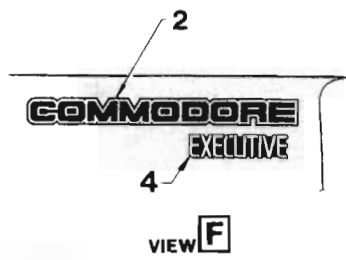
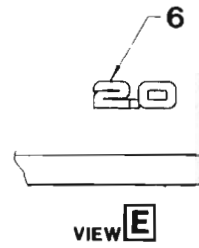
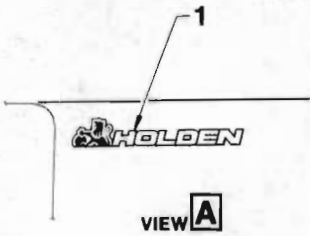
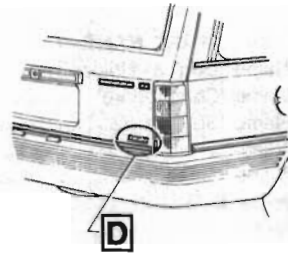
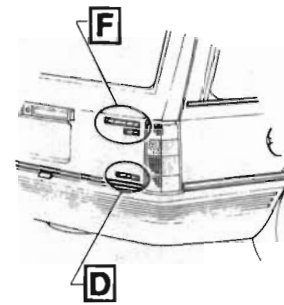
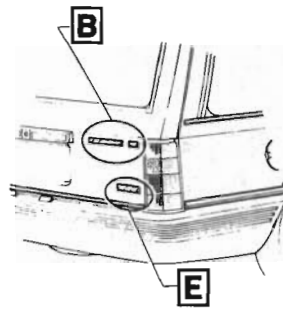
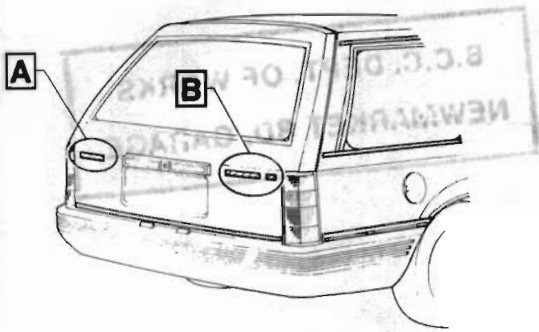


REAR END NAME PLATES

**8VK19
VL SERIES**

ILLUSTRATION OPPOSITE

REF. NO.	PART NAME	GROUP
1	PLATE - Name 'Lion' & 'Holden'	12.182
2	PLATE - Name 'Commodore'	12.182
3	PLATE - Name 'SL'	12.182
4	PLATE - Name 'Executive'	12.182
5	PLATE - Name 'Turbo'	12.182
6	PLATE - Name '2.0'	12.182
7	PLATE - Name '5.0'	12.182



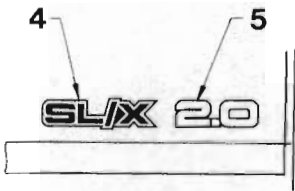
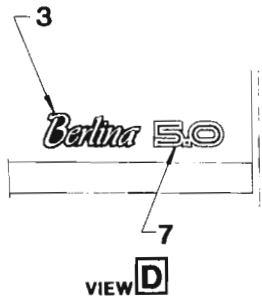
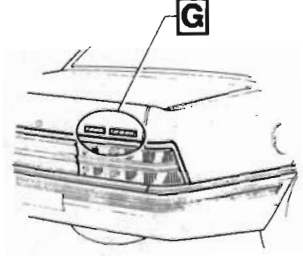
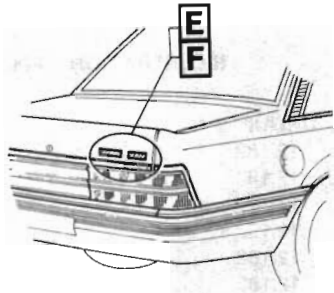
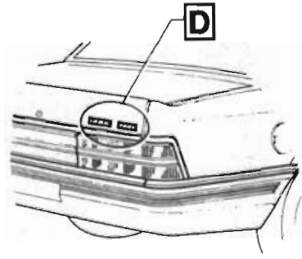
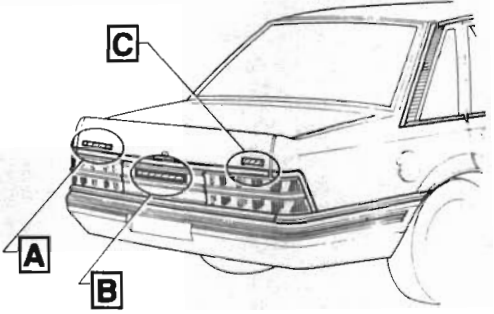


REAR END NAME PLATES

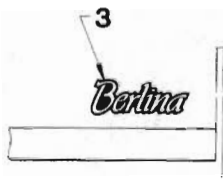
**8VK35
VL SERIES**

ILLUSTRATION OPPOSITE

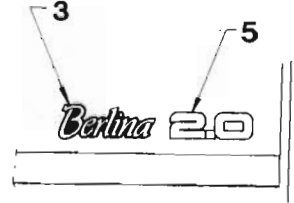
REF. NO.	PART NAME	GROUP
1	PLATE - Name 'Lion' & 'Holden'	12.182
2	PLATE - Name 'Commodore'	12.182
3	PLATE - Name 'SL'	12.182
4	PLATE - Name 'Executive'	12.182
5	PLATE - Name 'Turbo'	12.182
6	PLATE - Name '2.0'	12.182
7	PLATE - Name '5.0'	12.182



VIEW F



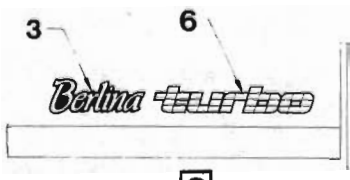
VIEW C



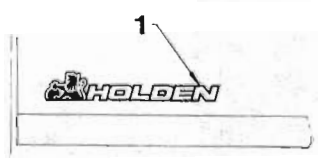
VIEW E



VIEW B



VIEW G



VIEW A

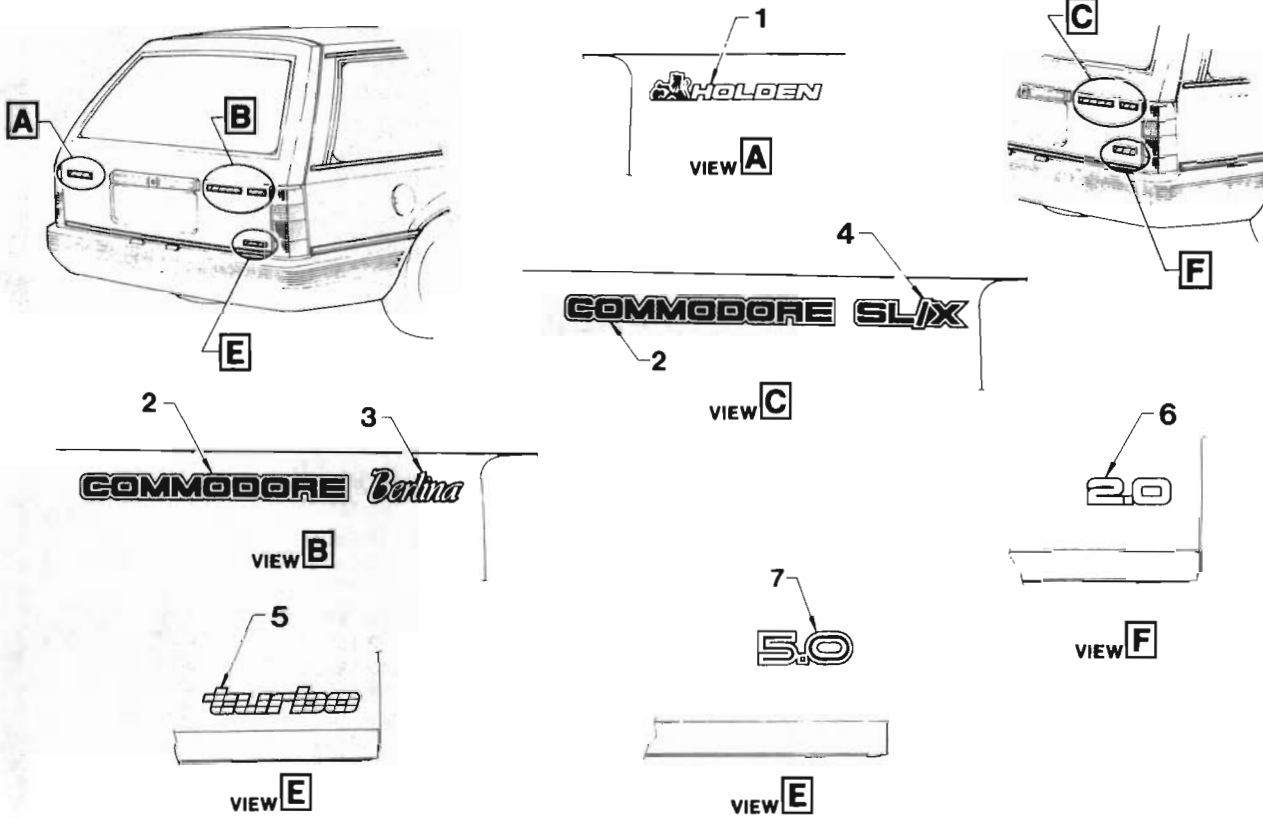


REAR END NAME PLATES

**8VL19
VL SERIES**

ILLUSTRATION OPPOSITE

REF. NO.	PART NAME	GROUP
1	PLATE - Name 'Lion' & 'Holden'	12.182
2	PLATE - Name 'Commodore'	12.182
3	PLATE - Name 'Berlina'	12.182
4	PLATE - Name 'SL/X'	12.182
5	PLATE - Name '2.0'	12.182
6	PLATE - Name 'Turbo'	12.182
7	PLATE - Name '5.0'	12.182



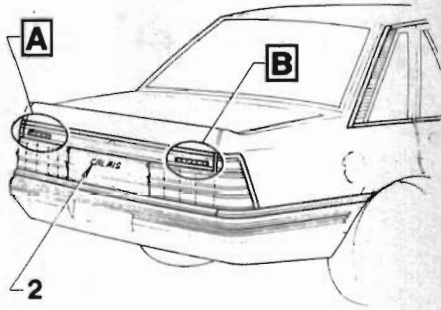
REAR END NAME PLATES

8VL35
VL SERIES

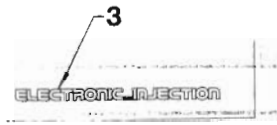
REF. NO.	PART NAME	GROUP
1	PLATE - Name 'Lion' & 'Holden'	12.182
2	PLATE - Name 'Commodore'	12.182
3	PLATE - Name 'Berlina'	12.182
4	PLATE - Name 'SL/X'	12.182
5	PLATE - Name 'Turbo'	12.182
6	PLATE - Name '2.0'	12.182
7	PLATE - Name '5.0'	12.182



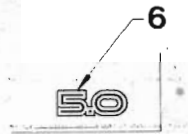
"V" SERIES PARTS CATALOGUE



VIEW **A**



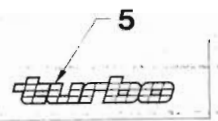
VIEW **B**



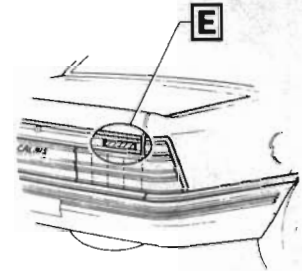
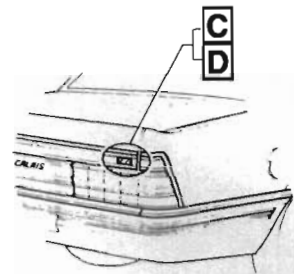
VIEW **C**



VIEW **D**



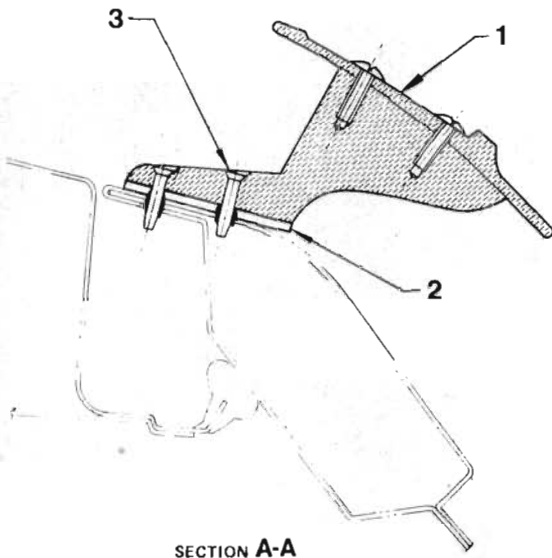
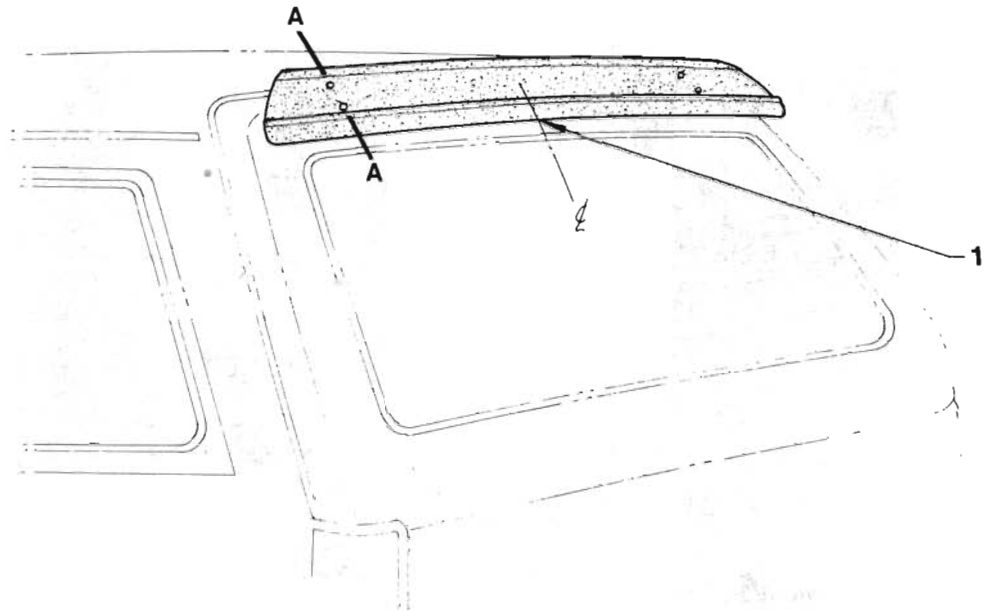
VIEW **E**



REAR END NAME PLATES

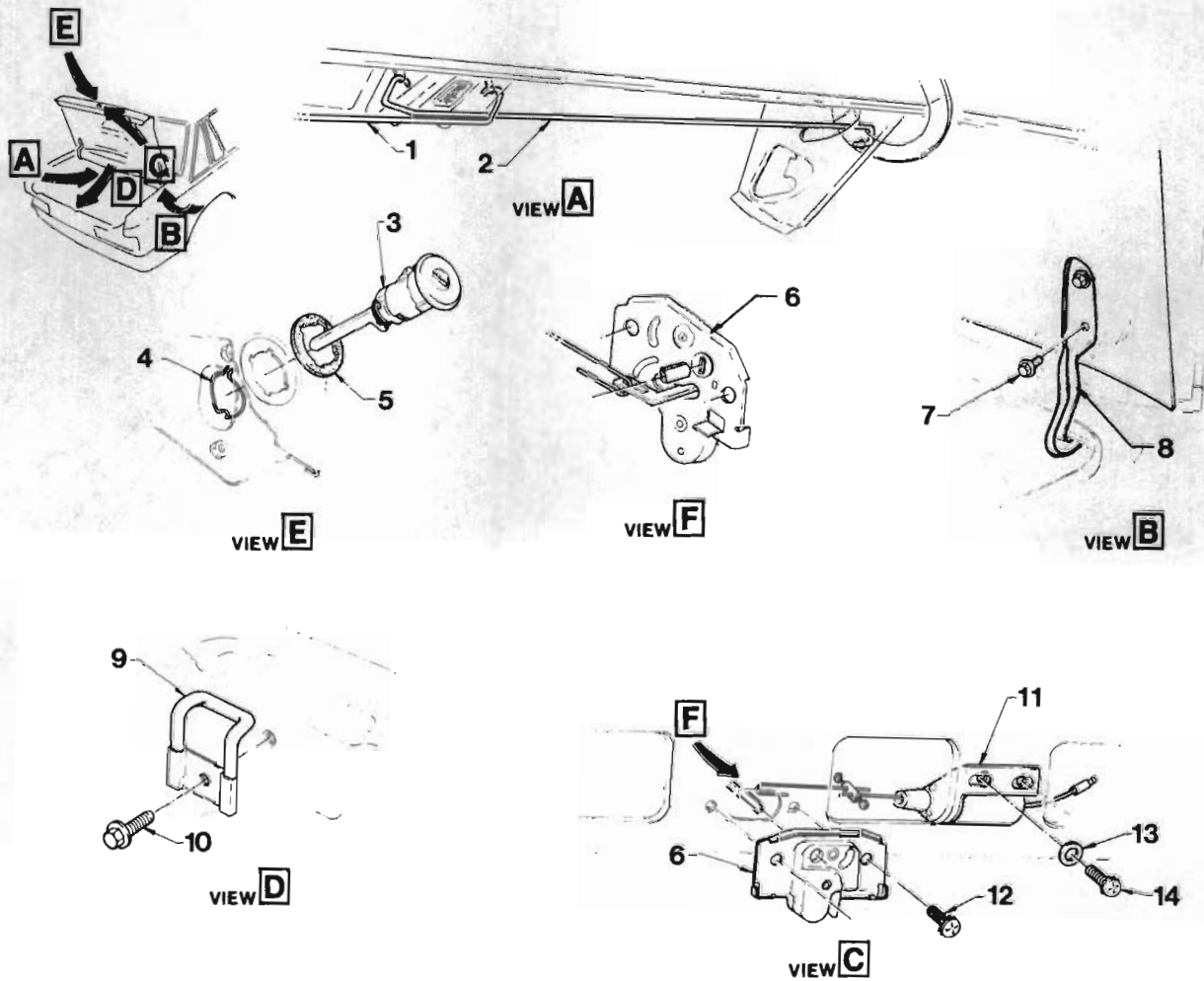
8VX19
VL SERIES

REF. NO.	PART NAME	GROUP
1	PLATE - Name 'Lion' & 'Holden'	12.182
2	PLATE - Name 'Calais'	12.182
3	PLATE - Name 'Electronic Injection'	12.182
4	PLATE - Name '2.0'	12.182
5	PLATE - Name 'Turbo'	12.182
6	PLATE - Name '5.0'	12.182



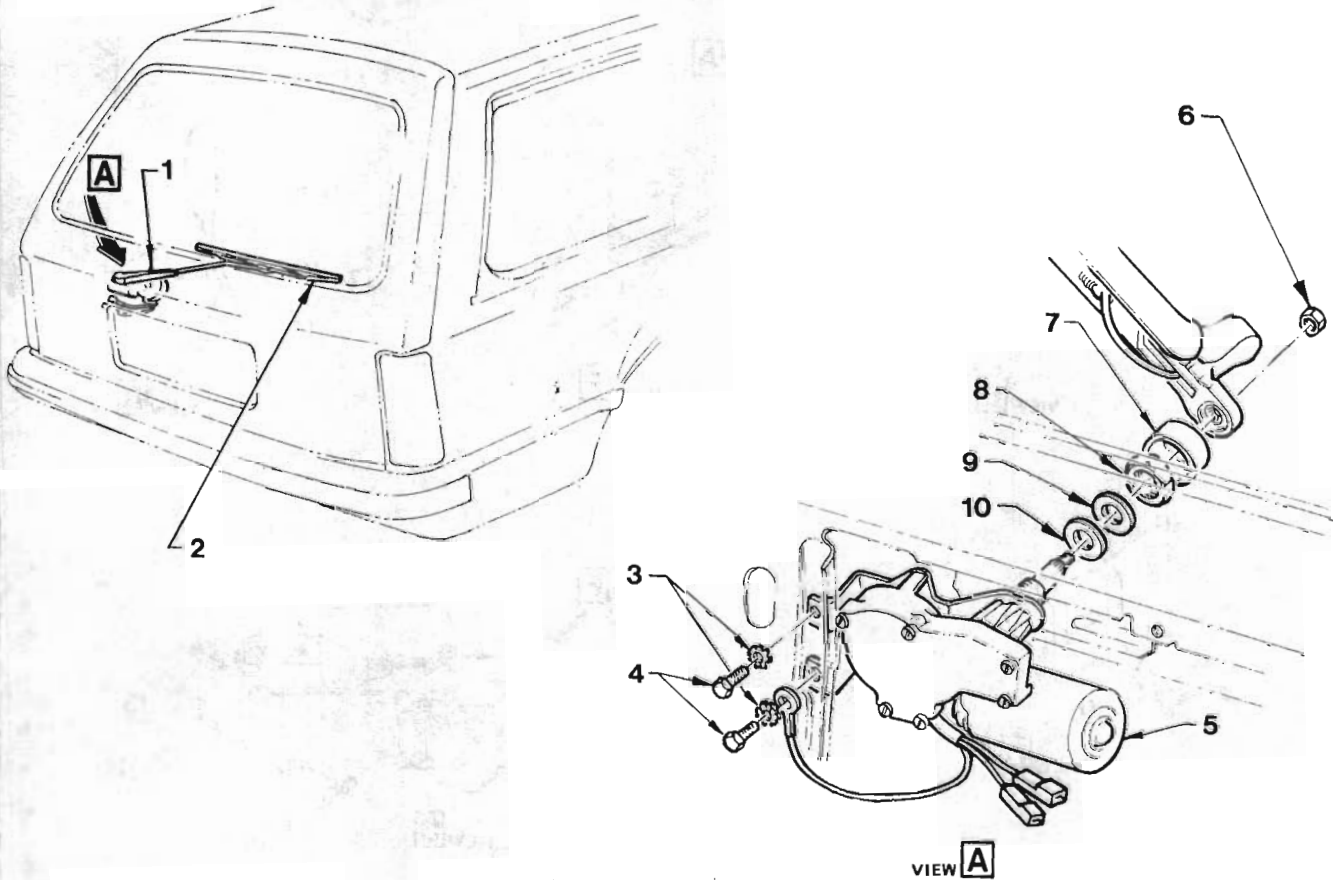
END GATE DUST DEFLECTOR
WAGON
VL SERIES

REF. NO.	PART NAME	GROUP
1-3	DEFLECTOR PACKAGE - End gate dust.....	12.180
1	DEFLECTOR - End gate dust.....	NSS
2	GASKET	NSS
3	SCREW - Dust deflector.....	NSS



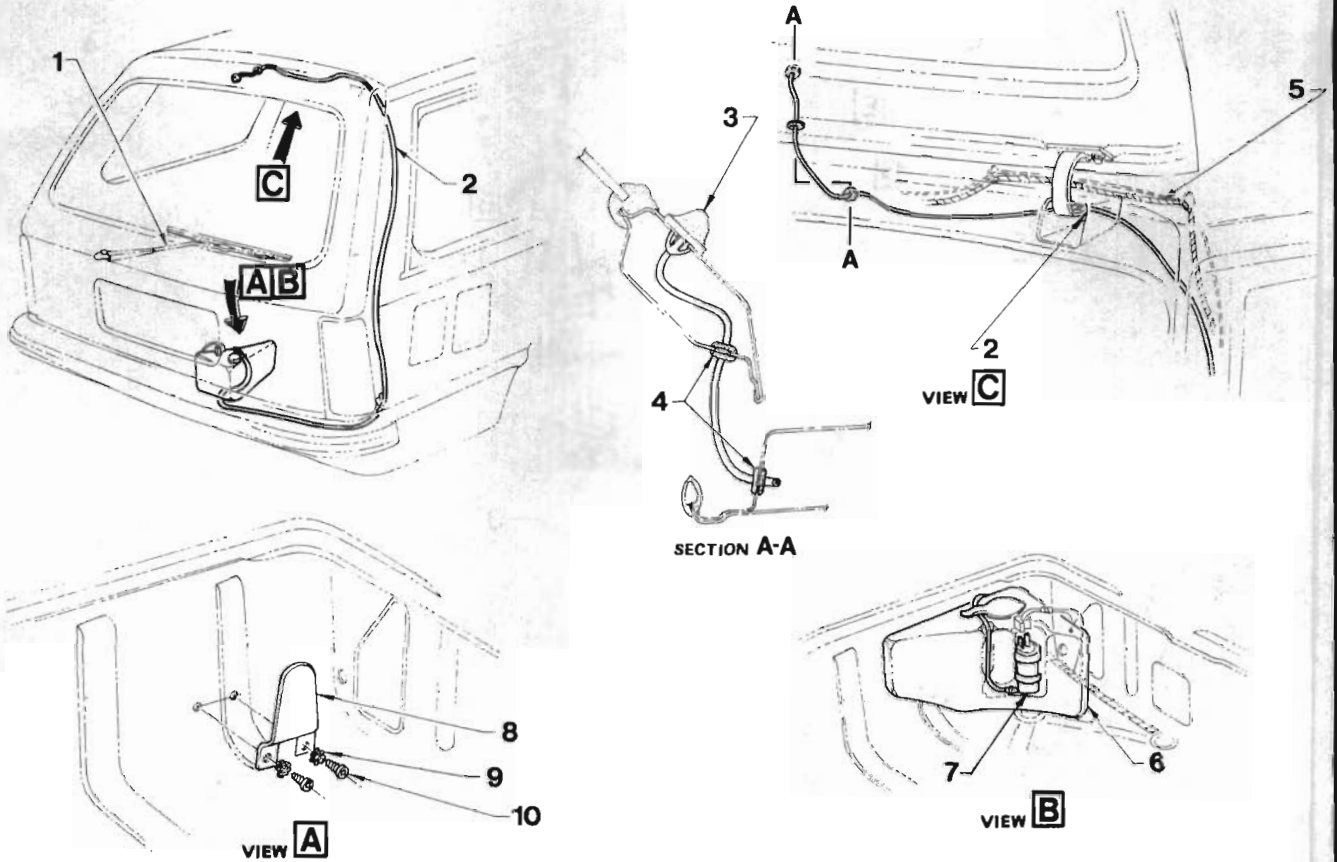
DECK LID HARDWARE
SEDAN
VL SERIES

REF. NO.	PART NAME	GROUP
1	ROD - Deck lid torque, LH.....	12.187
2	ROD - Deck lid torque, RH.....	12.187
3	LOCK CYLINDER ASM.....	12.148
4	SPRING - Lock cylinder retaining.....	12.248
5	SEAL - Lock cylinder.....	12.248
6	LOCK ASM. - Remote control.....	12.242
7	SCREW - Hinge to deck lid.....	12.184
8	HINGE & SUPPORT ASM.....	12.184
9	STRIKER - Deck lid lock.....	12.237
10	SCREW - Striker.....	12.237
11	SOLENOID ASM.....	12.243
12	SCREW - Lock to deck lid.....	12.242
13	WASHER - Solenoid to deck lid.....	12.243
14	SCREW - Solenoid to deck lid.....	12.243



**END GATE WINDOW WIPER
WAGON
VL SERIES**

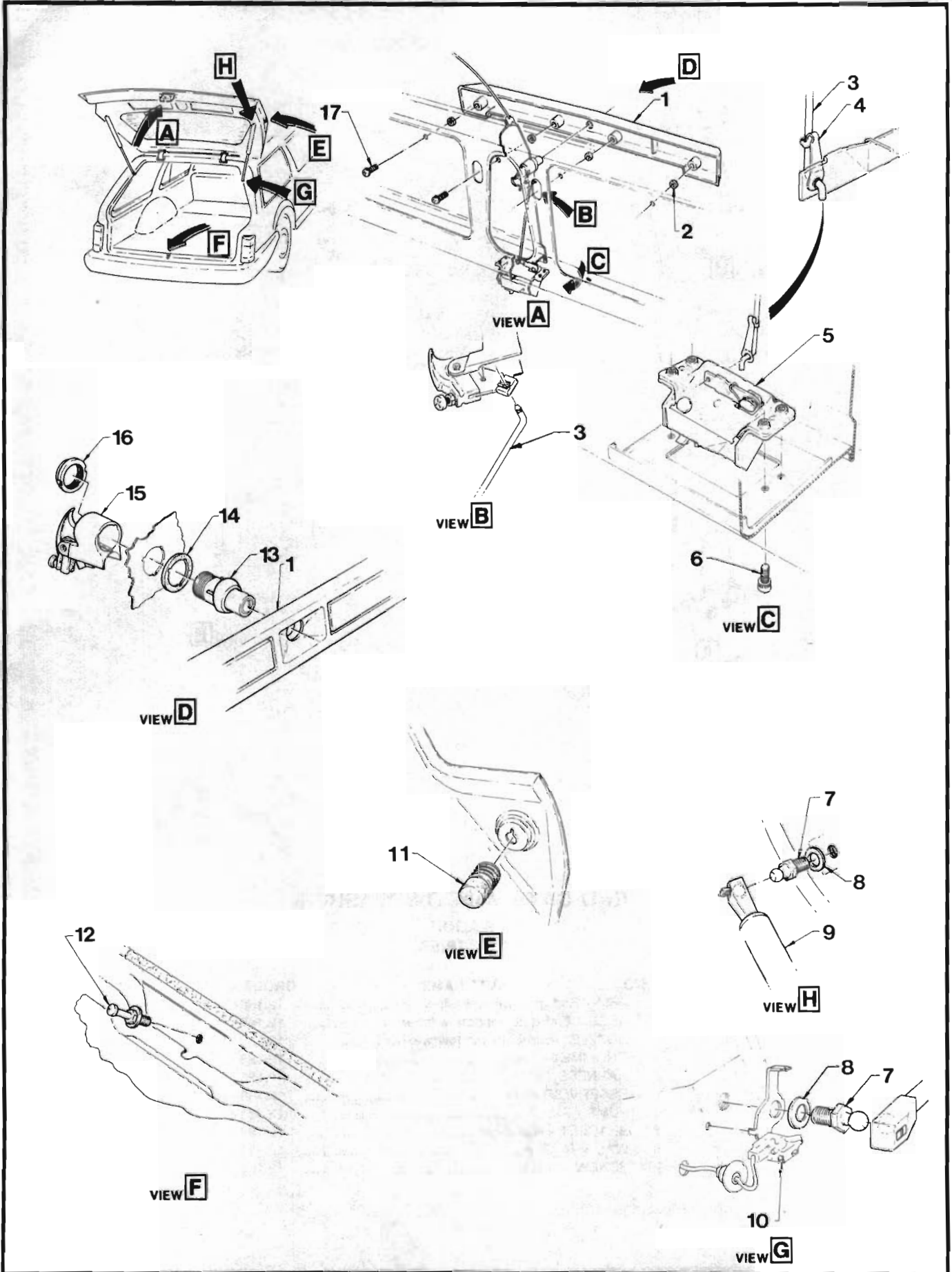
REF. NO.	PART NAME	GROUP
1	ARM - End gate window wiper.....	12.188
2	BLADE - End gate window wiper.....	12.188
3	WASHER - Motor mounting.....	12.188
4	SCREW - Motor mounting.....	12.188
5	MOTOR ASM. - End gate window wiper.....	12.188
6	NUT - Drive shaft, Exterior.....	12.188
7	CAP - Drive shaft.....	12.188
8	NUT - Drive shaft, Interior.....	12.188
9	WASHER - Drive shaft, Interior.....	12.188
10	PAD - Drive shaft.....	12.188



END GATE WINDOW WASHER

**WAGON
VL SERIES**

REF. NO.	PART NAME	GROUP
1	ARM - End gate window wiper.....	12.188
2	HOSE - End gate window washer.....	12.188
3	NOZZLE - End gate window washer.....	12.188
4	GROMMET - Hose.....	12.188
5	HARNESS ASM.....	12.188
6	RESERVOIR ASM.....	12.188
7	PUMP ASM.....	12.188
8	BRACKET - Reservoir.....	12.188
9	WASHER - Bracket.....	12.188
10	SCREW - Bracket.....	12.188



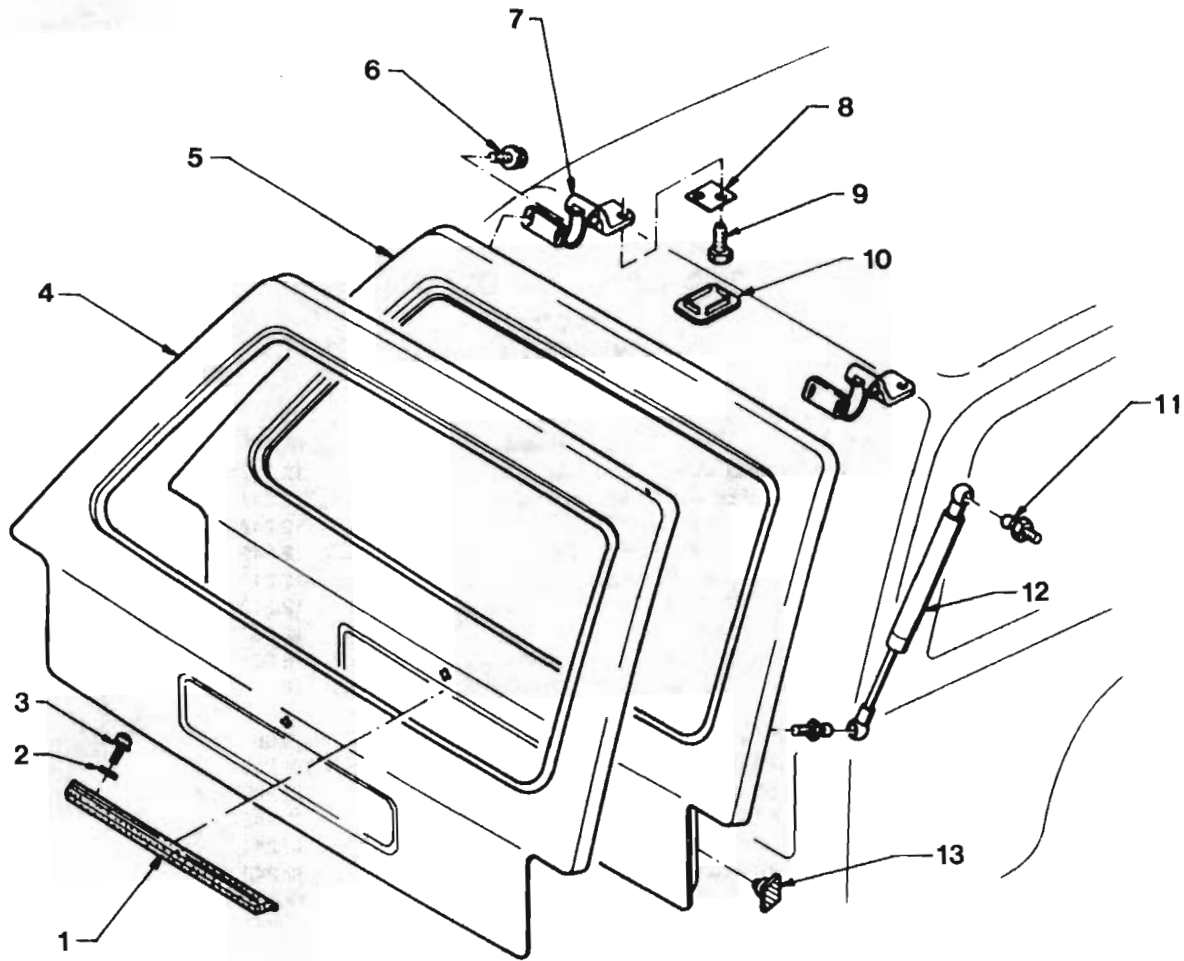


END GATE HARDWARE

**WAGON
VL SERIES**

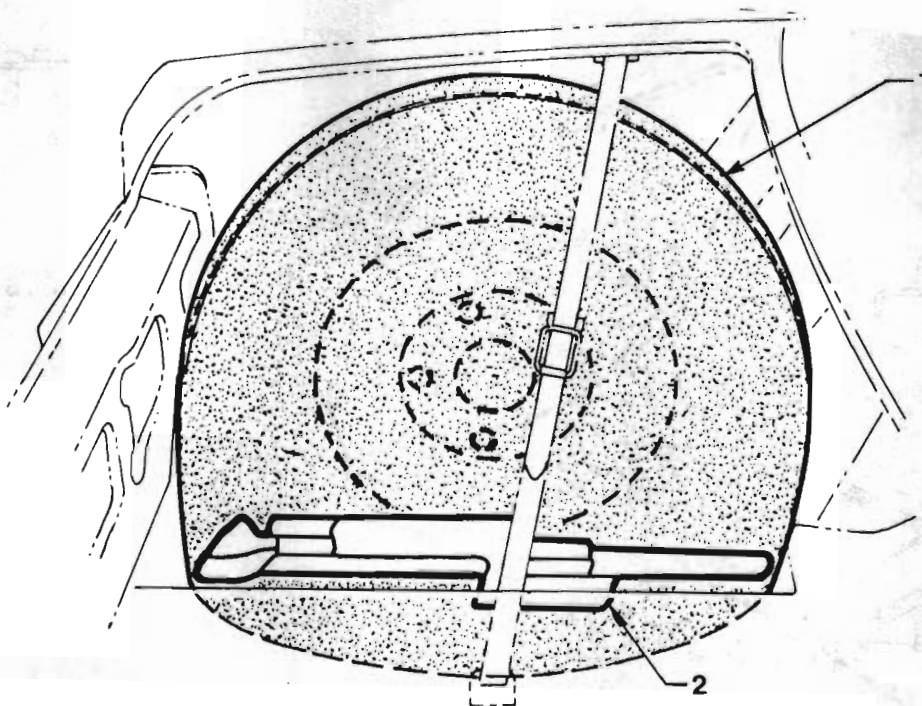
ILLUSTRATION OPPOSITE

REF. NO.	PART NAME	GROUP
1	HANDLE ASM. - End gate.....	12.247
2	WASHER - Handle to end gate.....	12.247
3	ROD - Connector, End gate lock.....	12.242
4	CLIP - Spring, Rod locking.....	12.242
5	LOCK ASM. - End gate.....	12.242
6	SCREW - End gate lock.....	12.242
7	STUD - Support ball.....	12.203
8	WASHER - Stud to end gate.....	12.203
9	SUPPORT ASM. - Counter balance.....	12.203
10	SWITCH & LEAD ASM. - Rear compartment illumination.....	9.988
11	BUMPER - End gate.....	12.212
12	STRIKER - End gate.....	12.237
13	HOUSING, PUSH BUTTON & BARREL ASM.....	12.242
14	WASHER - Push button.....	12.242
15	HOUSING ASM. - Push button.....	12.242
16	NUT - Push button.....	12.242
17	SCREW - Handle to end gate.....	12.247



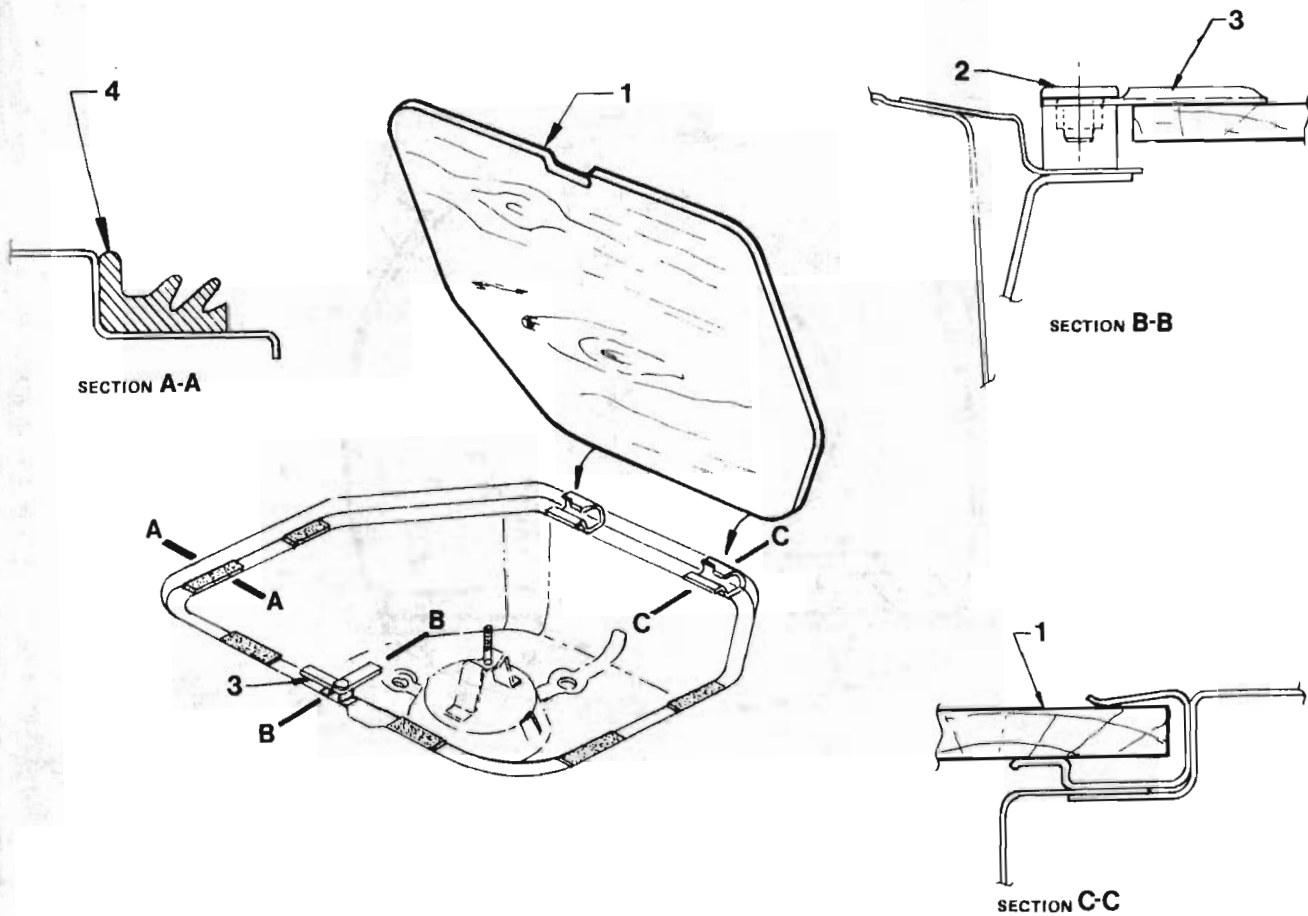
**END GATE HARDWARE
WAGON
VL SERIES**

REF. NO.	PART NAME	GROUP
1	HANDLE - End gate.....	12.247
2	WASHER - Handle to end gate.....	12.247
3	SCREW - Handle to end gate.....	12.247
4	PANEL - End gate.....	12.179
5	GATE ASM.	12.179
6	BOLT - Hinge to end gate.....	12.184
7	HINGE ASM. - End gate.....	12.184
8	GASKET - Hinge to roof.....	12.184
9	BOLT - Hinge to roof.....	12.184
10	COVER - Hinge.....	12.184
11	STUD - Support ball.....	12.203
12	SUPPORT - End gate.....	12.203
13	BUMPER - End gate.....	12.212



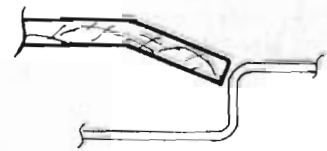
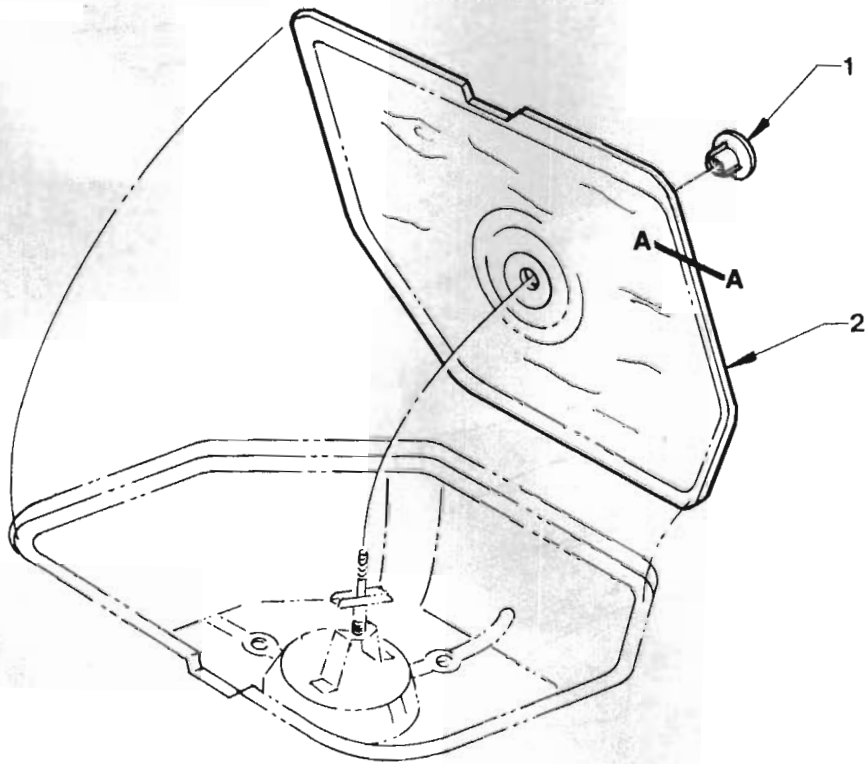
**SPARE WHEEL COVER
VL SERIES**

REF. NO.	PART NAME	GROUP
1	COVER ASM. - Spare wheel	12.579
2	JACK ASM. - Vehicle lifting	8.820



SPARE WHEEL COMPARTMENT COVER
WAGON WITH 14" WHEELS
VL SERIES

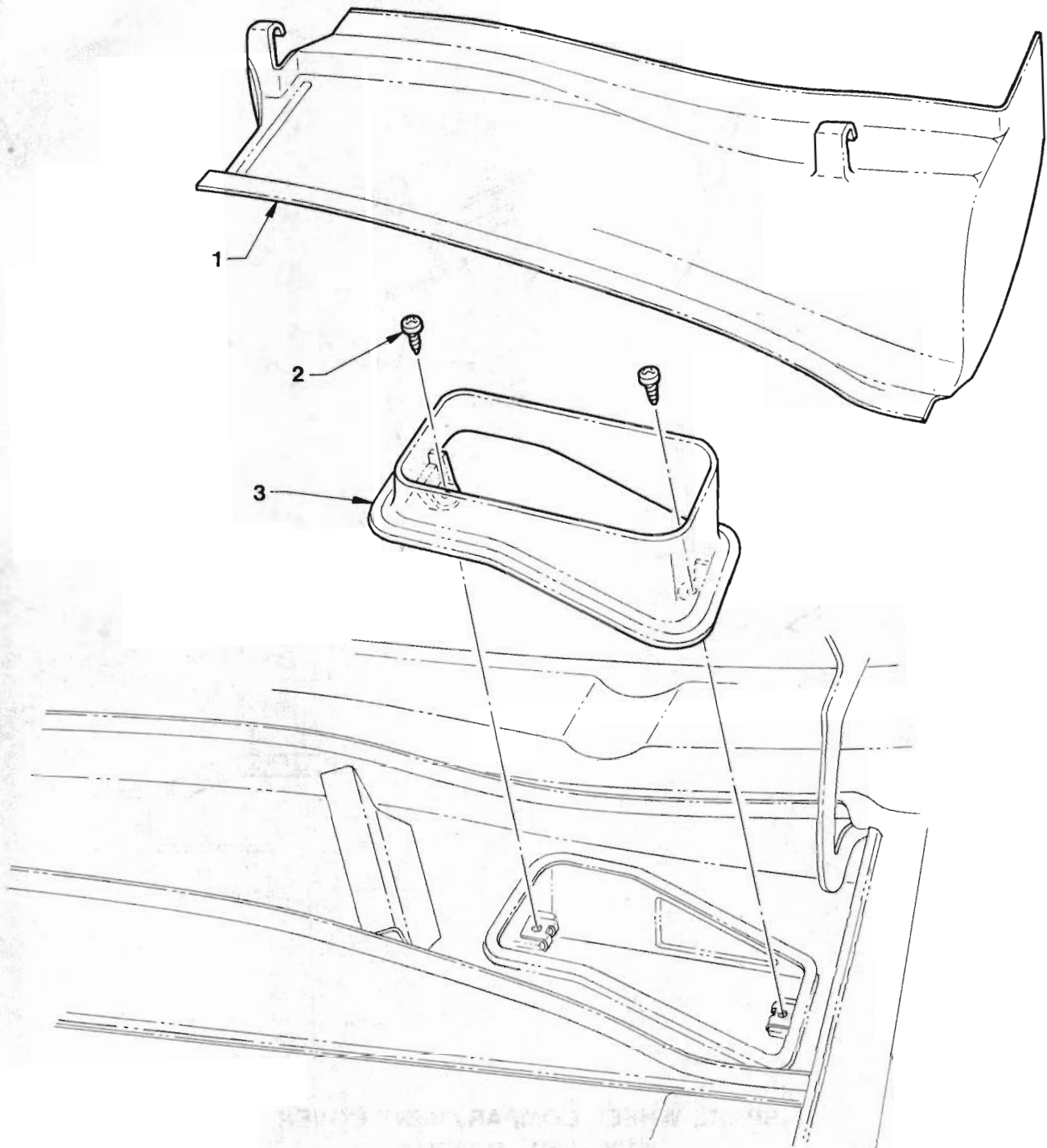
REF. NO.	PART NAME	GROUP
1	PANEL ASM. - Chipboard	12.579
2	SCREW - Lever to bracket	12.579
3	LEVER - Spare wheel panel	12.579
4	DAMPER - Panel	12.579



SECTION A-A

SPARE WHEEL COMPARTMENT COVER
WAGON WITH 15" WHEELS
VL SERIES

REF. NO.	PART NAME	GROUP
1	NUT - Panel attaching	12.579
2	PANEL ASM.	12.579



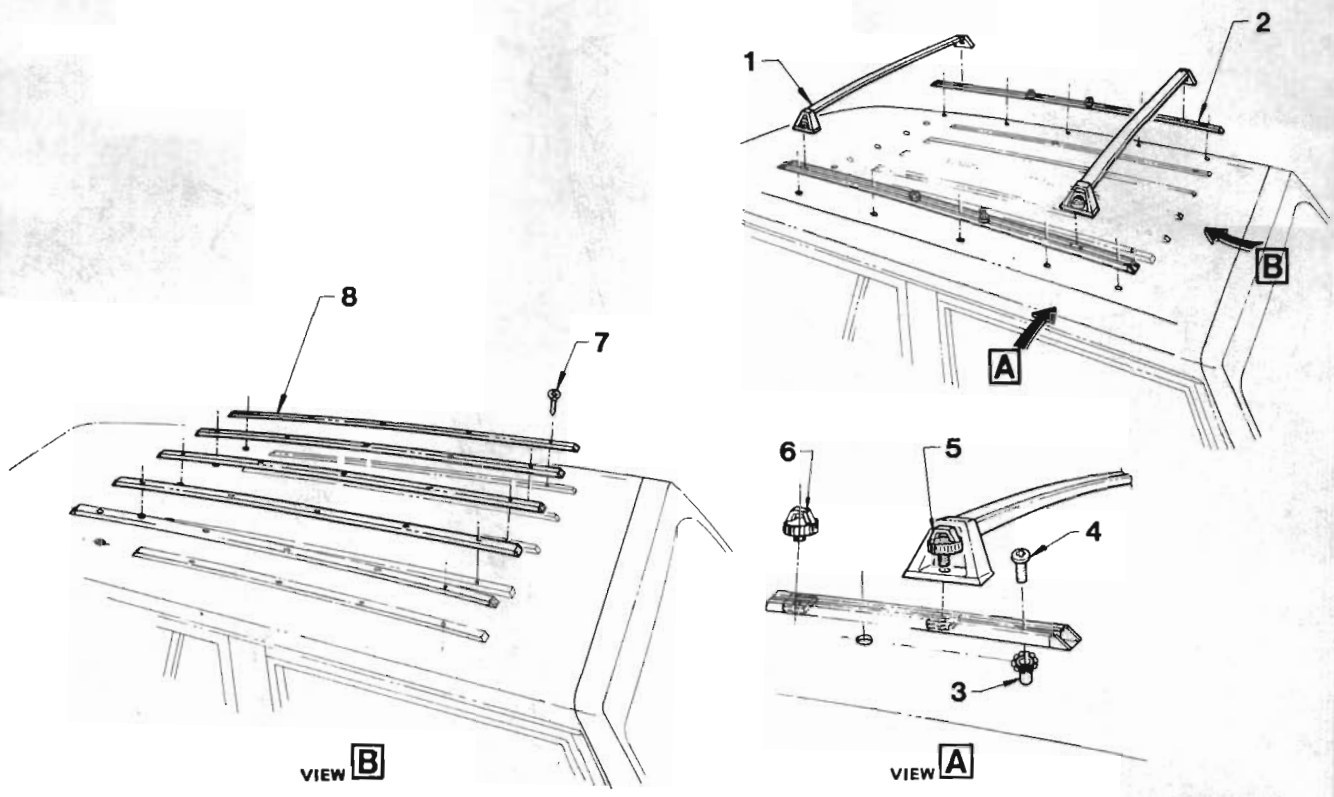
**PLENUM CHAMBER DEFLECTOR
VL SERIES**

REF. NO.	PART NAME	GROUP
1	DEFLECTOR - Air.....	12.800
2	SCREW - Housing to heater blower inlet.....	9.786
3	HOUSING & SEAL ASM. - Air inlet.....	9.786



"V" SERIES PARTS CATALOGUE

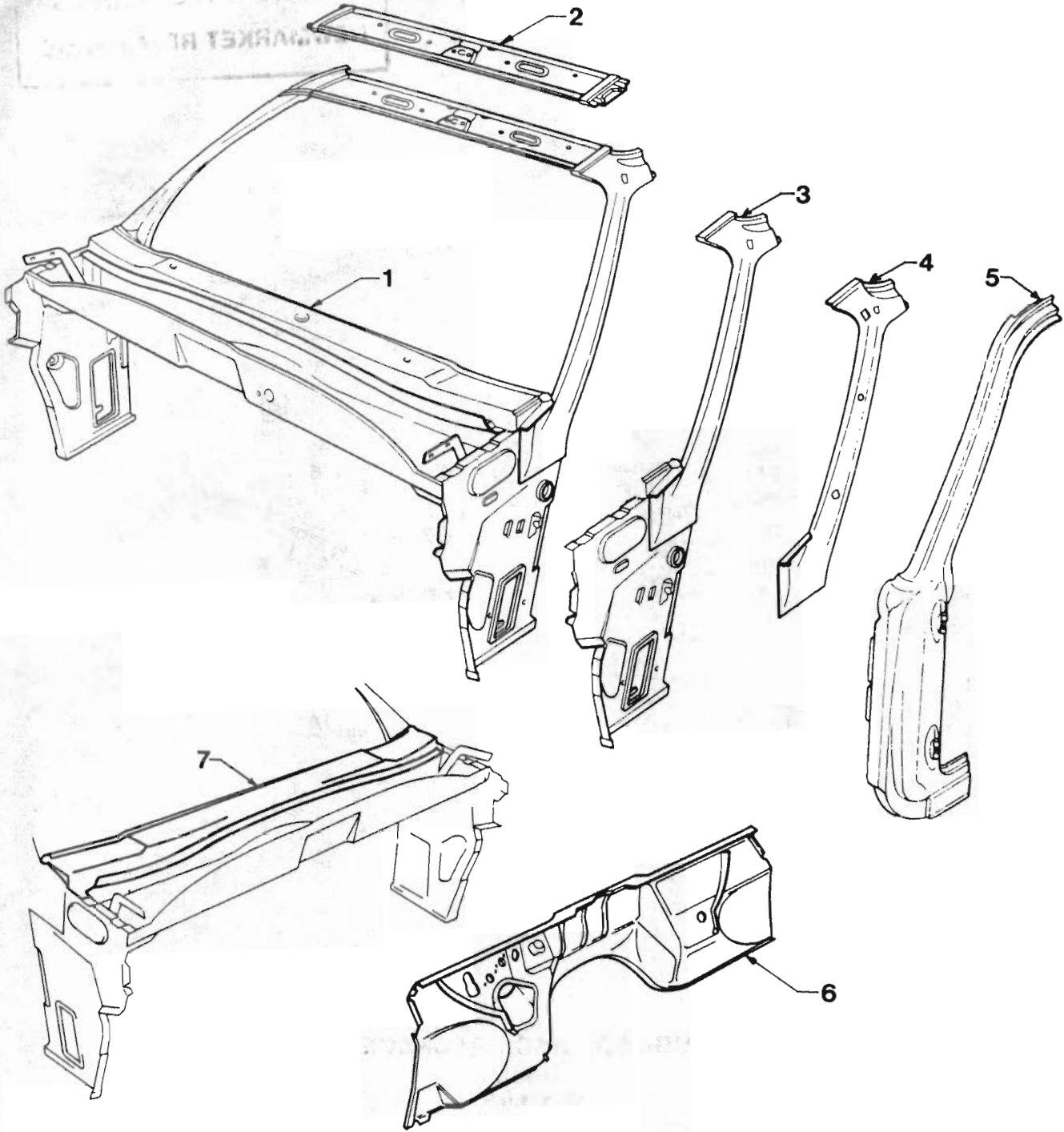
B.C.C. DEPT. OF WORKS
NEWMARKET RD. GARAGE



LUGGAGE RACK PACKAGE

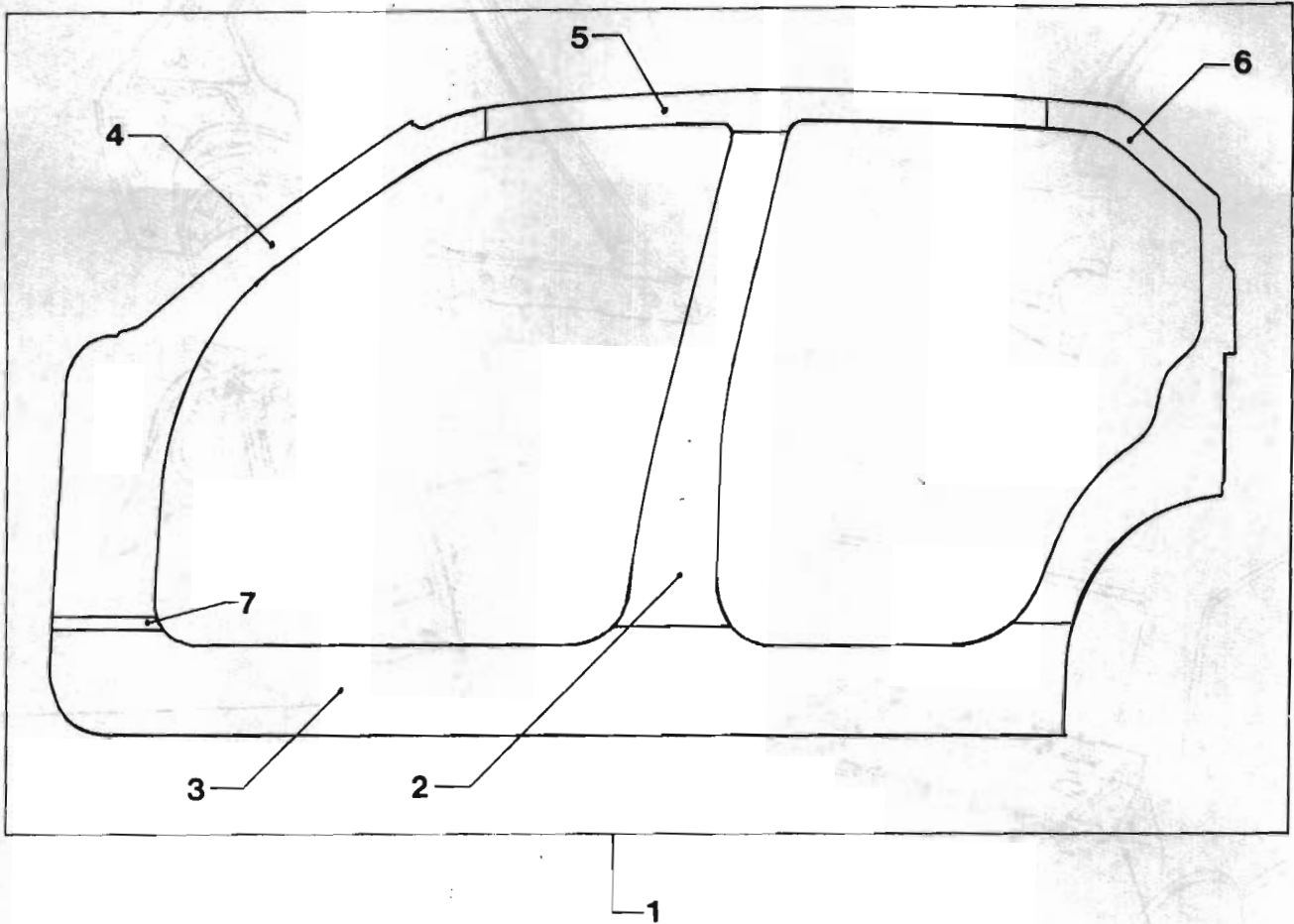
WAGON
VL SERIES

REF. NO.	PART NAME	GROUP
1-8	LUGGAGE RACK PACKAGE.....	12.815
1	BAR ASM. - Cross.....	12.815
2	SLAT - Outer.....	12.815
3	NUTSERT - Outer slat to roof.....	12.815
4	SCREW - Outer slat to roof.....	12.815
5	SCREW - Cross bar.....	12.815
6	SCREW - Tie down.....	12.815
7	SCREW - Inner slat to roof.....	12.815
8	SLAT - Inner.....	12.815



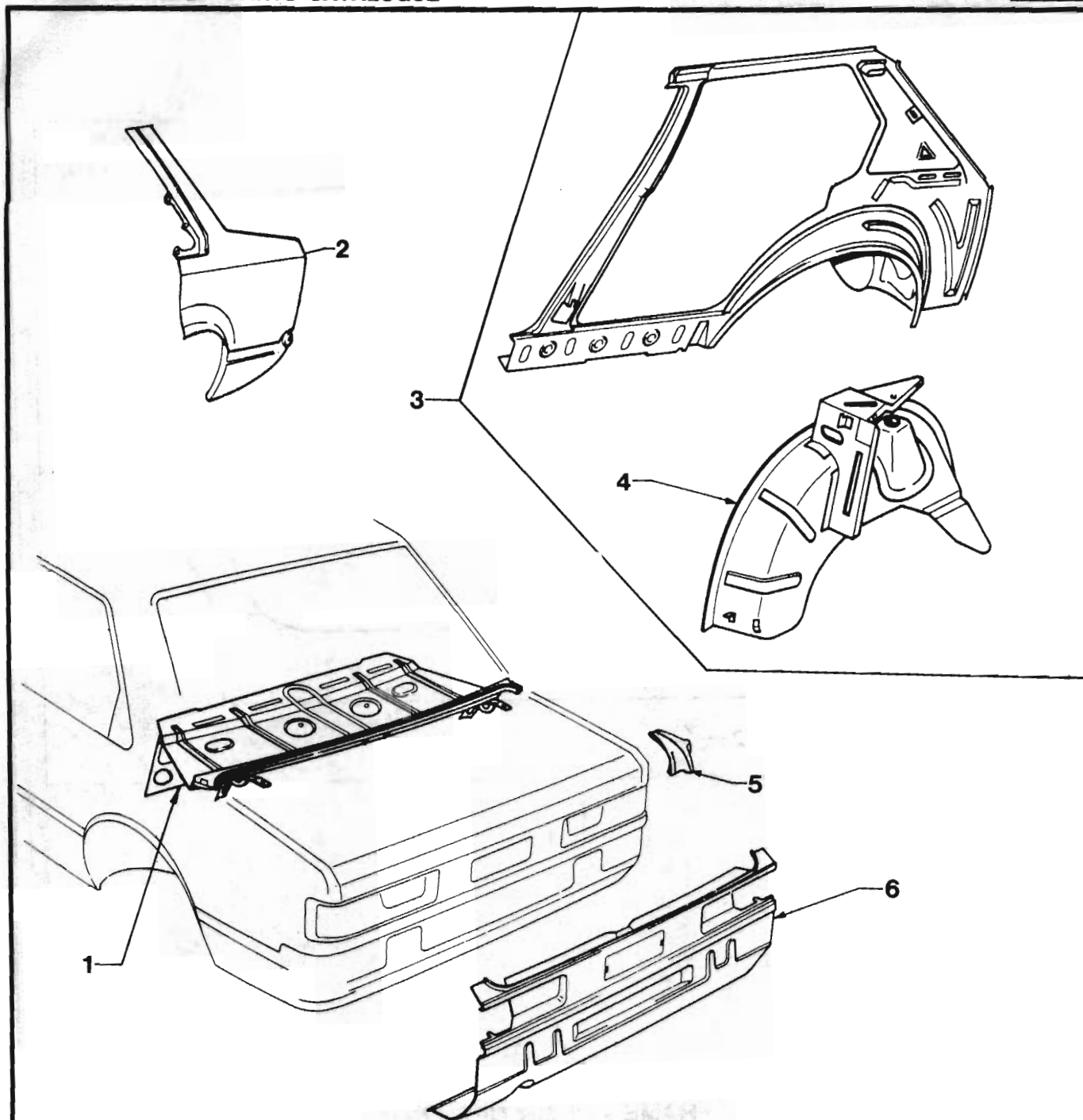
**COWL FRONT
VL SERIES**

REF. NO.	PART NAME	GROUP
1	COWL ASM. - Body front end.....	12.804
2	FRAME - Windshield upper.....	12.807
3	PANEL - Cowl & pillar side.....	12.804
4	REINFORCEMENT - Pillar.....	12.840
5	PILLAR ASM. - Outer.....	12.840
6	PANEL - Dash lower.....	12.804
7	PANEL - Cowl upper.....	12.804



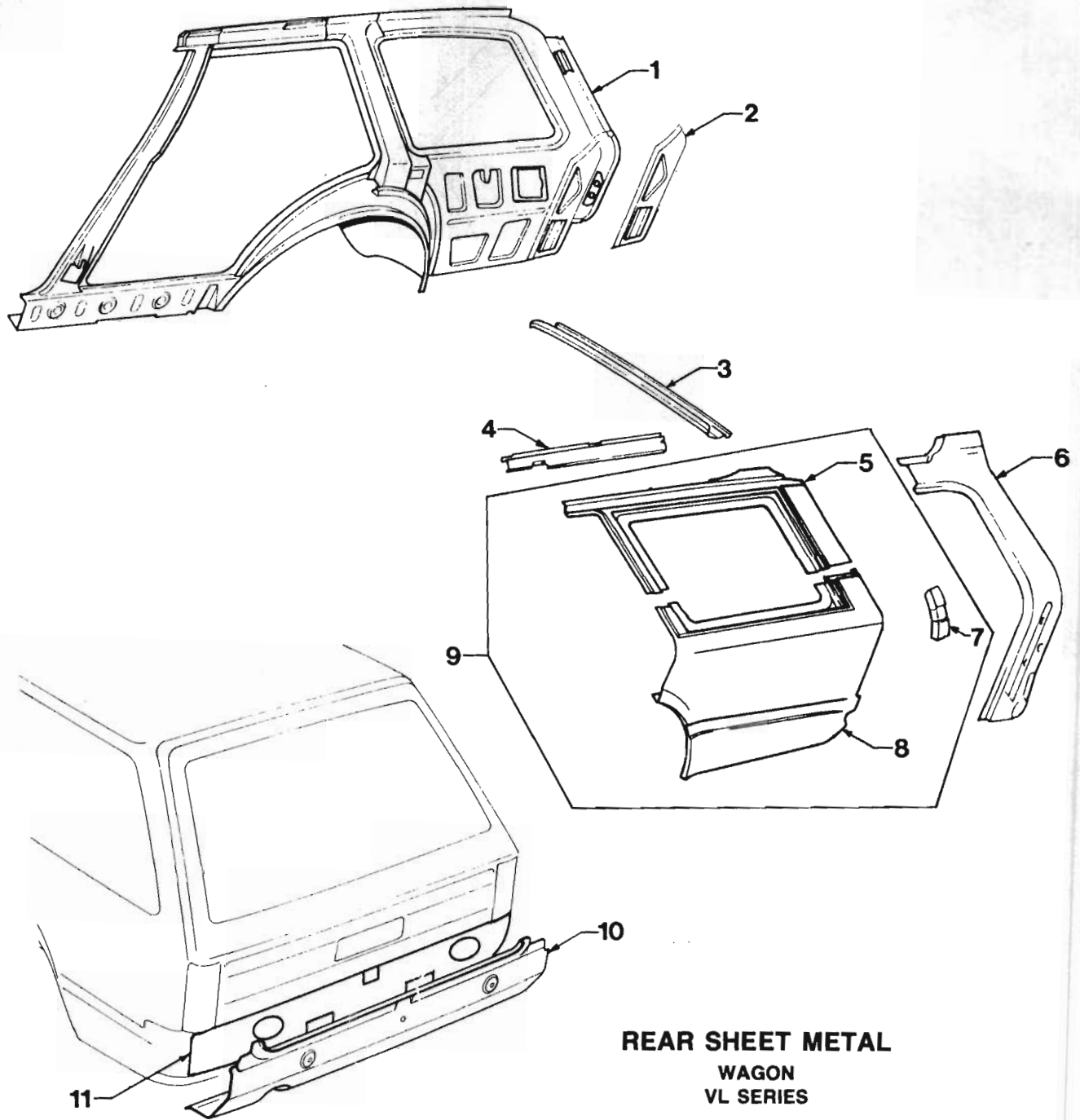
**FRAME - DOOR OPENING
VL SERIES**

REF. NO.	PART NAME	GROUP
1	FRAME ASM. - Door opening	12.491
2	PANEL ASM. - Centre pillar, Outer.....	12.491
2	PANEL ASM. - Centre pillar, Inner	NSS
3	PANEL ASM. - Rocker.....	12.934
4	PILLAR ASM. - Front body	12.840
5	RAIL - Roof side.....	12.956
6	PANEL ASM. - Rear body lock pillar.....	12.942
7	PANEL - Lower sealing.....	12.840



REAR SHEET METAL
SEDAN
VL SERIES

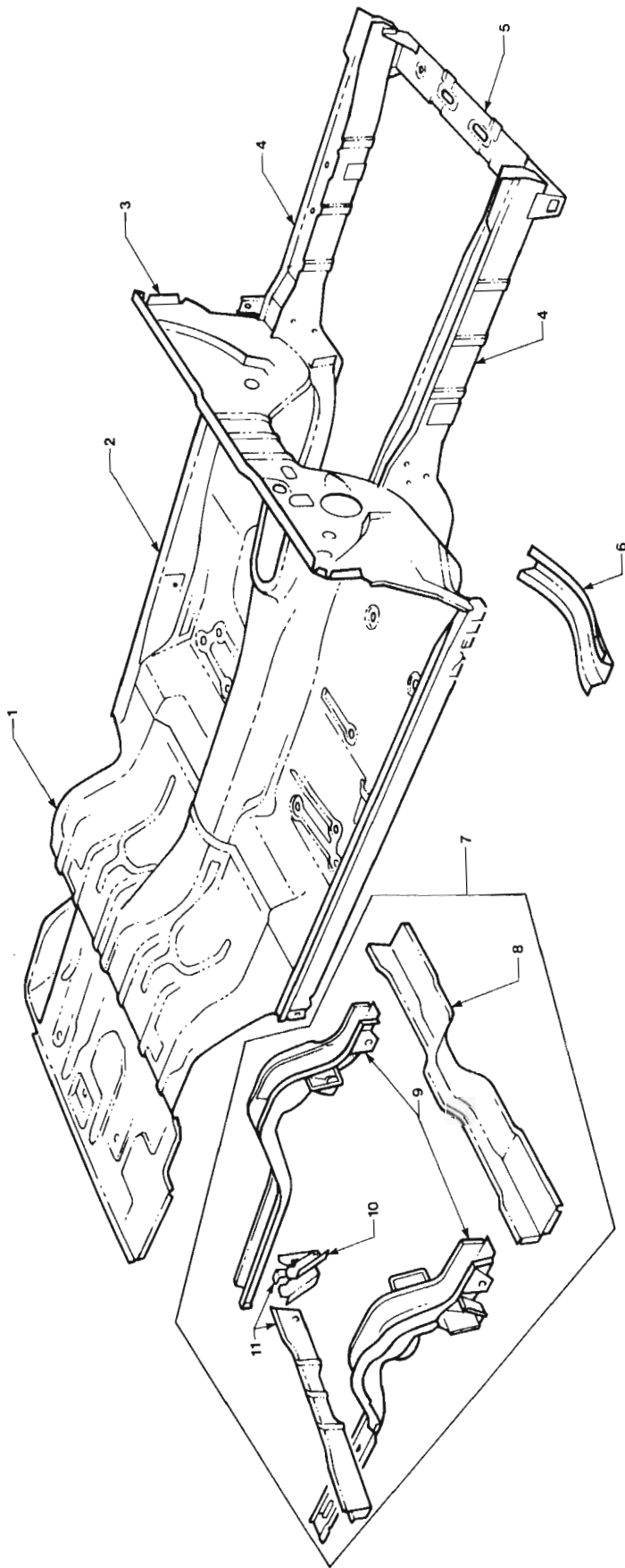
REF. NO.	PART NAME	GROUP
1	PANEL ASM. - Upper, Rear Compartment.....	12.971
2	PANEL ASM. - Rear quarter outer.....	12.940
3	PANEL ASM - Side, inner complete.....	12.941
4	PANEL - Rear wheelhouse, Inner.....	12.944
5	GUSSET - Side panel outer rear.....	12.940
6	PANEL ASM. - Rear end lower, Outer.....	12.966



**REAR SHEET METAL
WAGON
VL SERIES**

REF. NO.	PART NAME	GROUP
1	PANEL ASM. - Rear quarter inner.....	12.941
2	EXTENSION - Rear quarter inner.....	12.941
3	FRAME ASM. - Roof rear.....	12.964
4	REINFORCEMENT - Frame, Rear side.....	12.957
5	PANEL ASM. - Rear quarter outer, Upper.....	12.940
6	REINFORCEMENT - Side panel rear.....	12.941
7	GUSSET - Rear quarter inner.....	12.941
8	PANEL - Rear quarter outer, Lower.....	12.940
9	PANEL ASM. - Rear quarter outer.....	12.940
10	PANEL ASM. - Rear end outer.....	12.966
11	PANEL ASM. - Rear end inner.....	12.966

"V" SERIES PARTS CATALOGUE

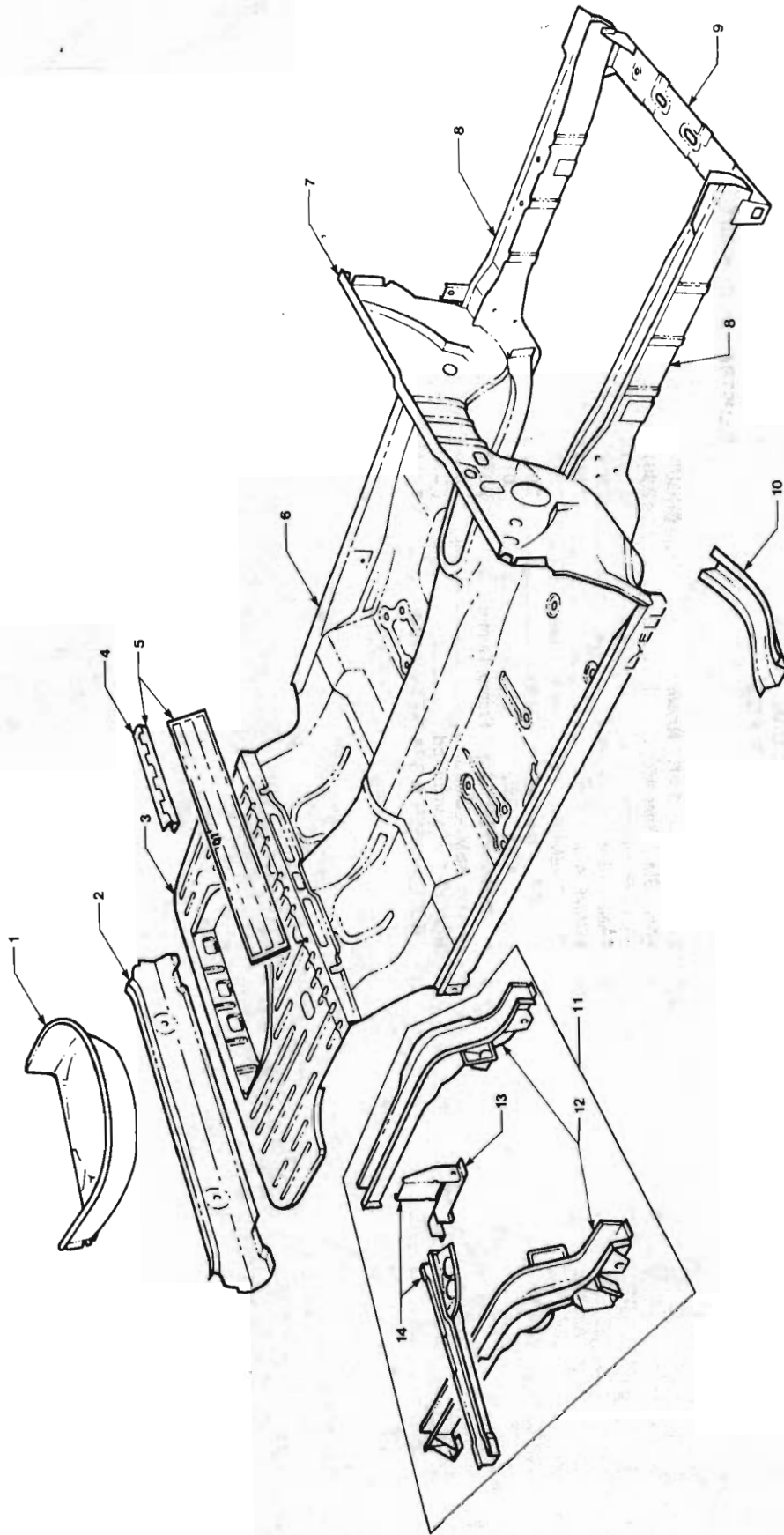




UNDERBODY PANELS
SEDAN
VL SERIES

ILLUSTRATION OPPOSITE

REF. NO.	PART NAME	GROUP
1	PAN ASM. - Rear floor.....	12.981
2	PAN - Front floor.....	12.980
3	PANEL ASM. - Dash lower.....	12.804
4	FRAME ASM. - Front.....	7.003
5	CROSSMEMBER ASM. - Frame, Front.....	7.010
6	BRIDGE - Crossmember, Centre.....	7.012
7	FRAME ASM. - Rear.....	7.014
8	CROSSMEMBER ASM. - Frame, Centre.....	7.012
9	FRAME ASM. - Side.....	7.006
10	BRACKET - Panhard rod.....	5.418
11	CROSSMEMBER & BRACKET - Panhard rod.....	7.014



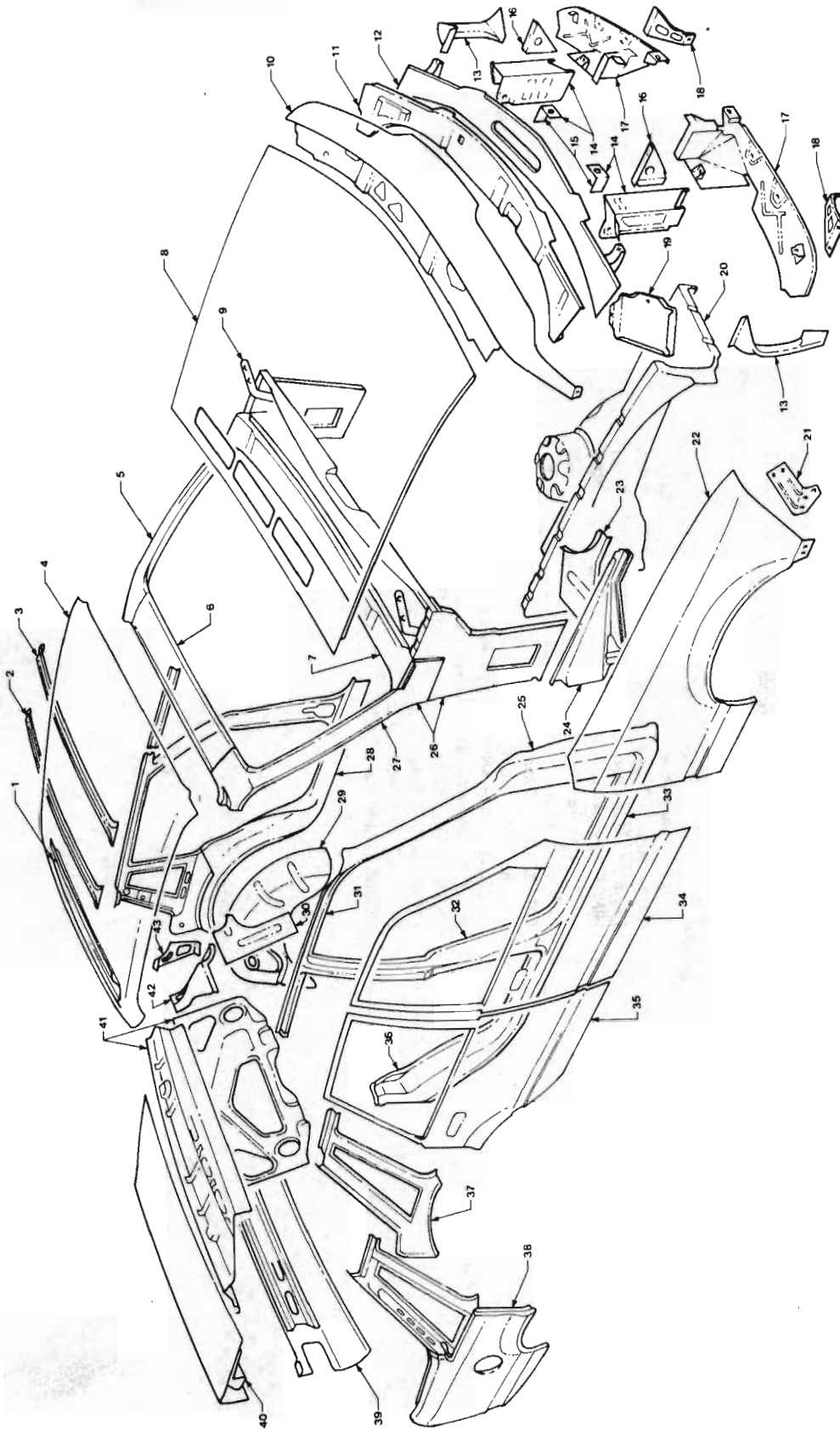


UNDERBODY PANELS

**WAGON
VL SERIES**

ILLUSTRATION OPPOSITE

REF. NO.	PART NAME	GROUP
1	PANEL - Spare wheel trough	12.981
2	PANEL ASM. - Rear end lower	12.966
3	PANEL ASM. - Rear floor	12.981
4	HINGE - Panel	NSS
5	PANEL & HINGE ASM. - Filler	11.629
6	PAN - Front floor	12.980
7	PANEL ASM. - Dash lower	12.804
8	FRAME ASM. - Front	7.003
9	CROSSMEMBER ASM. - Frame, Front	7.010
10	BRIDGE - Crossmember, Centre	7.012
11	FRAME ASM. - Rear	7.014
12	FRAME ASM. - Side	7.006
13	BRACKET - Panhard rod	5.418
14	CROSSMEMBER & BRACKET - Panhard rod	7.014



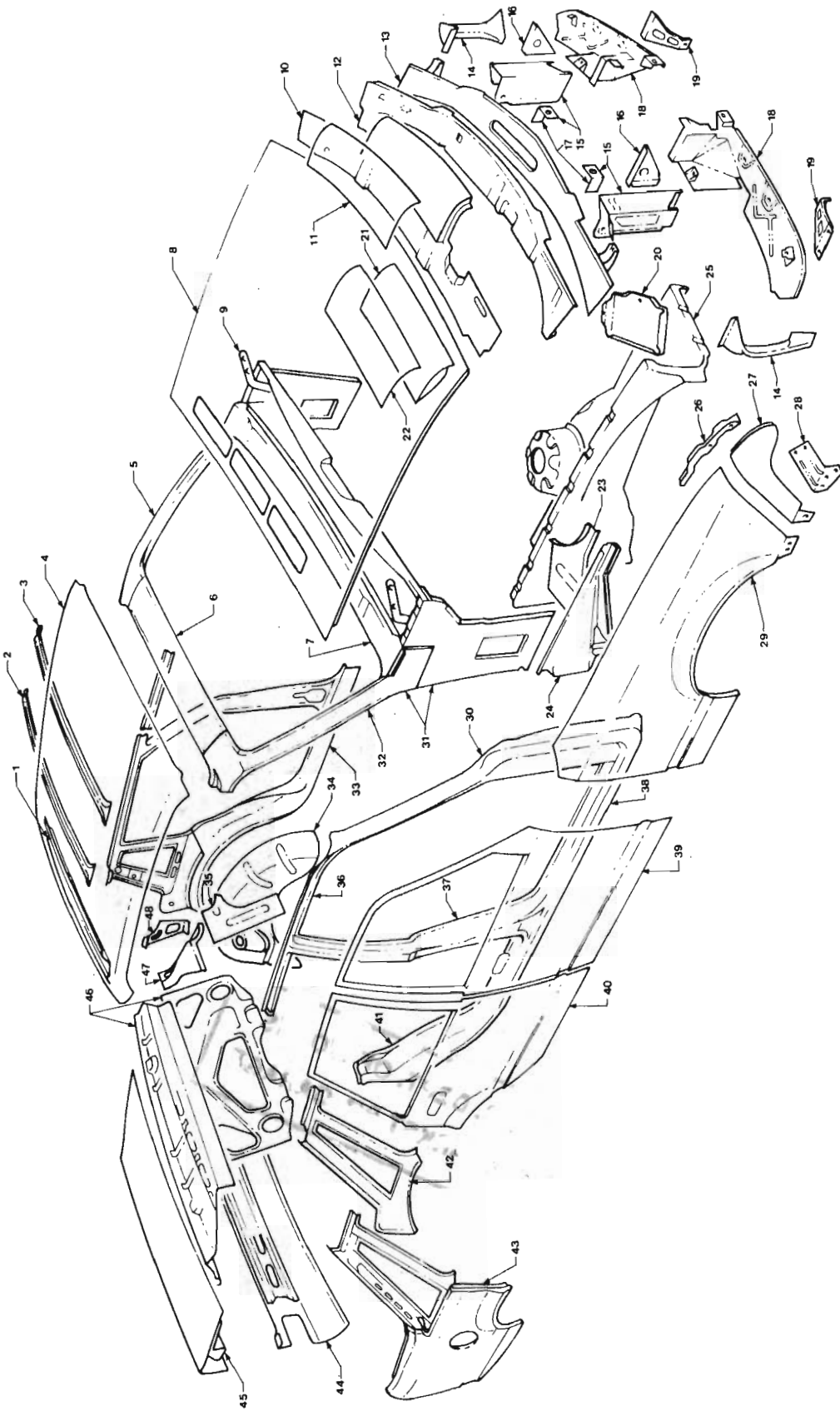


BODY PANELS
8VK & 8VL SEDAN
VL SERIES

ILLUSTRATION OPPOSITE

REF. NO.	PART NAME	GROUP
1	FRAME - Roof, Rear.....	12.964
2	BOW - Roof, Rear.....	12.952
3	BOW ASM. - Roof, Centre, Includes light bracket.....	12.952
4	PANEL - Roof.....	12.810
5	PANEL - Cowl & pillar side.....	12.804
6	FRAME - Windshield upper.....	12.807
7	PANEL ASM. - Cowl upper.....	12.804
8	PANEL ASM. - Hood.....	8.000
9	HINGE ASM. - Hood.....	8.015
10	PANEL ASM. - Front end, Upper.....	1.263
11	PANEL - Hood lock, Upper.....	1.263
12	REINFORCEMENT - Front panel, Upper.....	1.263
13	REINFORCEMENT - Front panel to fender skirt.	1.263
14	SUPPORT ASM. - Front panel.....	1.263
15	BRACKET - Condenser, Upper.....	NSS
16	BRACKET - Headlamp mounting.....	2.726
17	SUPPORT ASM. - Headlamp.....	2.726
18	BRACE - Headlamp support.....	1.263
19	CARRIER ASM. - Battery.....	2.330
20	PANEL - Fender skirt.....	8.153
21	BRACE - Fender.....	8.143
22	FENDER ASM. - Front.....	8.130
23	SUPPORT - Fender skirt panel to brace.....	8.153
24	BRACE - Fender skirt panel.....	8.153
25	PILLAR ASM. - Front body, Outer.....	12.840
26	PANEL - Cowl & pillar side.....	12.804
27	REINFORCEMENT - Pillar.....	12.840
28	PANEL - Rear quarter inner.....	12.941
29	PANEL - Rear wheelhouse, Inner.....	12.944
30	BRACE - Rear wheelhouse.....	NSS
31	RAIL - Roof side.....	12.956
32	PANEL - Centre pillar.....	12.491
33	PANEL - Rocker outer.....	12.934
34	PANEL - Front door outer.....	12.895
35	PANEL - Rear door outer.....	12.913
36	PANEL ASM. - Rear body lock pillar.....	12.942
37	PANEL - Window frame, Inner.....	12.941
38	PANEL - Rear quarter outer.....	12.940
39	PANEL - Rear end lower.....	12.966
40	LID ASM. - Deck.....	12.181
41	PANEL ASM. - Rear compartment upper.....	12.971
42	EXTENSION - Rear wheelhouse brace.....	NSS
43	HINGE & SUPPORT ASM. - Deck lid.....	12.184

"V" SERIES PARTS CATALOGUE



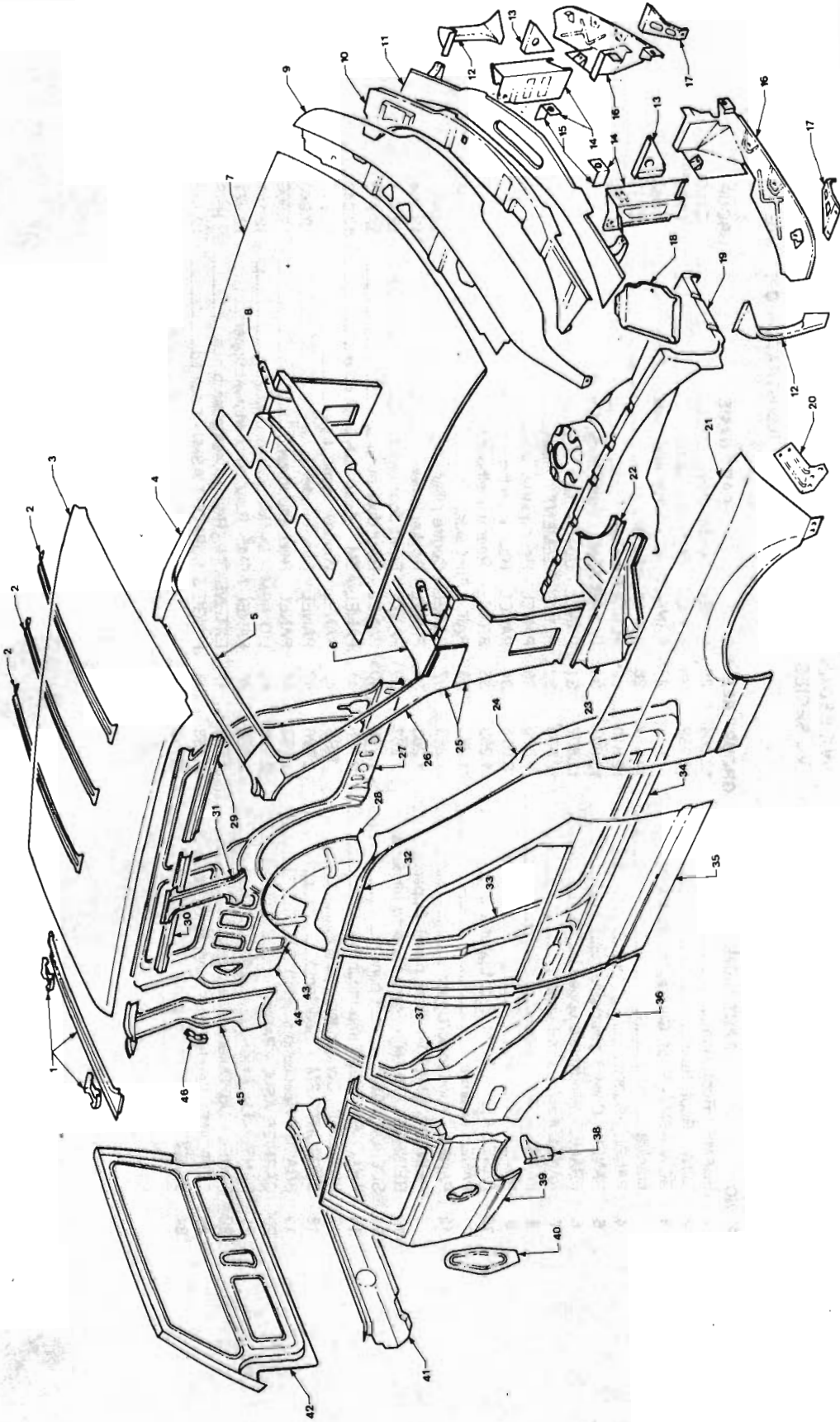


BODY PANELS
8VX SEDAN
VL SERIES

ILLUSTRATION OPPOSITE

REF. NO.	PART NAME	GROUP	REF. NO.	PART NAME	GROUP
1	FRAME - Roof, Rear.....	12.964	25	PANEL - Fender skirt.....	8.153
2	BOW - Roof, Rear.....	12.952	26	BRACE - Front end panel.....	1.263
3	BOW ASM. - Roof, Centre, Includes light bracket.....	12.952	27	PANEL ASM. - Front end, Side.....	1.263
4	PANEL - Roof.....	12.810	28	BRACE - Fender.....	8.143
5	PANEL - Cowl & pillar side.....	12.804	29	FENDER ASM. - Front.....	8.130
6	FRAME - Windshield upper.....	12.807	30	PILLAR ASM. - Front body, Outer.....	12.840
7	PANEL ASM. - Cowl upper.....	12.804	31	PANEL - Cowl & pillar side.....	12.804
8	PANEL ASM. - Hood.....	8.000	32	REINFORCEMENT - Pillar.....	12.840
9	HINGE ASM. - Hood.....	8.015	33	PANEL - Rear quarter inner.....	12.941
10	PANEL ASM. - Front end, Upper.....	1.263	34	PANEL - Rear wheelhouse, Inner.....	12.944
11	PANEL - Centre.....	1.263	35	BRACE - Rear wheelhouse.....	NSS
12	PANEL - Hood lock, Upper.....	1.263	36	RAIL - Roof side.....	12.956
13	REINFORCEMENT - Front panel, Upper.....	1.263	37	PANEL - Centre pillar.....	12.491
14	REINFORCEMENT - Front panel to fender skirt.....	1.263	38	PANEL - Rocker outer.....	12.934
15	SUPPORT ASM. - Front panel.....	1.263	39	PANEL - Front door outer.....	12.895
16	BRACKET - Headlamp mounting.....	2.726	40	PANEL - Rear door outer.....	12.913
17	BRACKET - Condenser, Upper.....	NSS	41	PANEL ASM. - Rear body lock pillar.....	12.942
18	SUPPORT ASM. - Headlamp.....	2.726	42	PANEL - Window frame, Inner.....	12.941
19	BRACE - Headlamp support.....	1.263	43	PANEL - Rear quarter outer.....	12.940
20	CARRIER ASM. - Battery.....	2.330	44	PANEL - Rear end lower.....	12.966
21	PANEL - Lid, Inner.....	2.728	45	LID ASM. - Deck.....	12.181
22	PANEL - Lid, Outer.....	2.728	46	PANEL ASM. - Rear compartment upper.....	12.971
23	SUPPORT - Fender skirt panel to brace.....	8.153	47	EXTENSION - Rear wheelhouse brace.....	NSS
24	BRACE - Fender skirt panel.....	8.153	48	HINGE & SUPPORT ASM. - Deck lid.....	12.184

"V" SERIES PARTS CATALOGUE

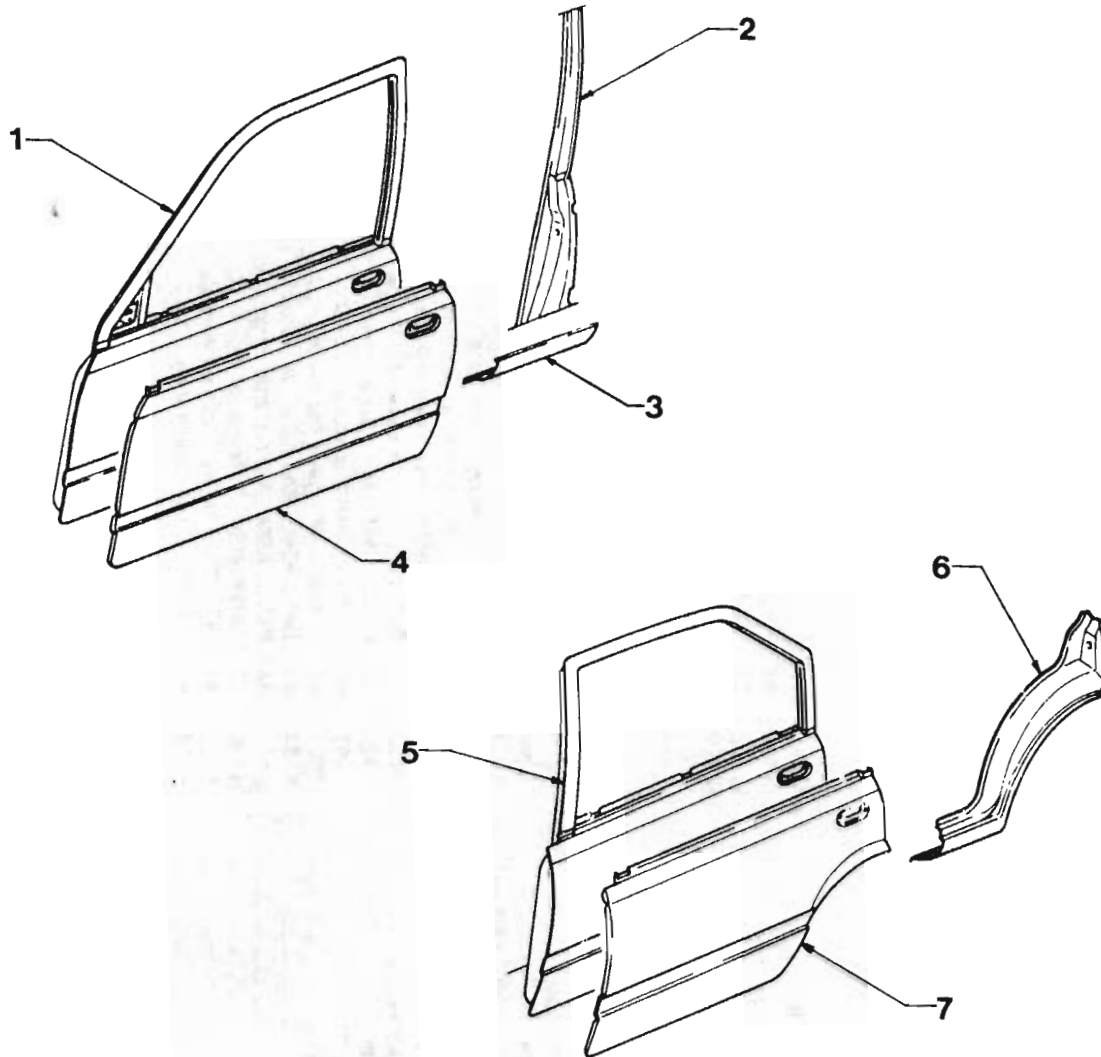




BODY PANELS
WAGON
VL SERIES

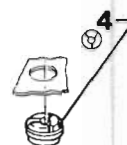
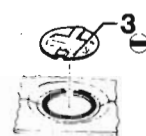
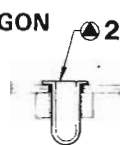
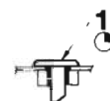
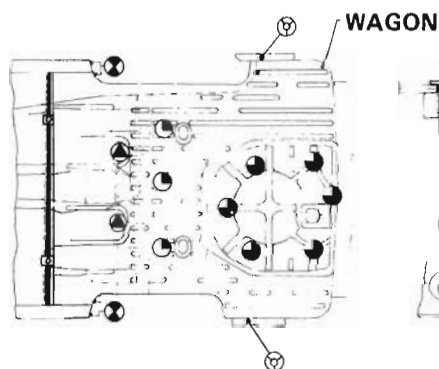
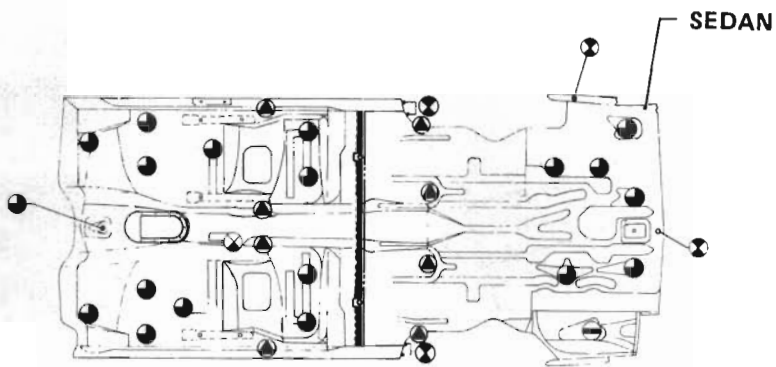
ILLUSTRATION OPPOSITE

REF. NO.	PART NAME	GROUP REF. NO.	PART NAME	GROUP
1	FRAME - Roof, Rear.....	12.964	PILLAR ASM. - Front body, Outer.....	12.840
2	BOW - Roof.....	12.952	PANEL - Cowl & pillar side.....	12.804
3	PANEL - Roof.....	12.810	REINFORCEMENT - Pillar.....	12.840
4	PANEL - Cowl & pillar side.....	12.804	PANEL - Rear quarter inner.....	12.941
5	FRAME - Windshield upper.....	12.807	PANEL - Rear wheelhouse, Inner.....	12.944
6	PANEL ASM. - Cowl upper.....	12.804	REINFORCEMENT - Frame, Front side.....	12.957
7	PANEL ASM. - Hood.....	8.000	REINFORCEMENT - Frame, Rear side.....	12.957
8	HINGE ASM. - Hood.....	8.015	REINFORCEMENT ASM. - Lock pillar.....	12.942
9	PANEL ASM. - Front end, Upper.....	1.263	RAIL - Roof side.....	12.956
10	PANEL - Hood lock, Upper.....	1.263	PANEL - Centre pillar.....	12.491
11	REINFORCEMENT - Front panel, Upper.....	1.263	PANEL - Rocker outer.....	12.934
12	REINFORCEMENT - Front panel to fender skirt.....	1.263	PANEL - Front door outer.....	12.895
13	BRACKET - Headlamp mounting.....	2.726	PANEL - Rear door outer.....	12.913
14	SUPPORT ASM. - Front panel.....	1.263	PANEL ASM. - Rear body lock pillar, Lower.....	12.942
15	BRACKET - Condenser, Upper.....	NSS	EXTENSION - Rear wheelhouse, Inner RH.....	12.944
16	SUPPORT ASM. - Headlamp.....	2.726	PANEL ASM. - Rear quarter outer.....	12.940
17	BRACE - Headlamp support.....	1.263	GUARD - Fuel filler stone.....	3.003
18	CARRIER ASM. - Battery.....	2.330	PANEL ASM. - Rear end lower.....	12.966
19	PANEL - Fender skirt.....	8.153	GATE ASM. - End.....	12.179
20	BRACE - Fender.....	8.143	PANEL ASM. - Rear quarter inner.....	12.941
21	FENDER ASM. - Front.....	8.130	EXTENSION - Rear quarter inner.....	12.941
22	SUPPORT - Fender skirt panel to brace.....	8.153	REINFORCEMENT - Side panel rear.....	12.941
23	BRACE - Fender skirt panel.....	8.153	GUSSET - Rear quarter inner.....	12.941



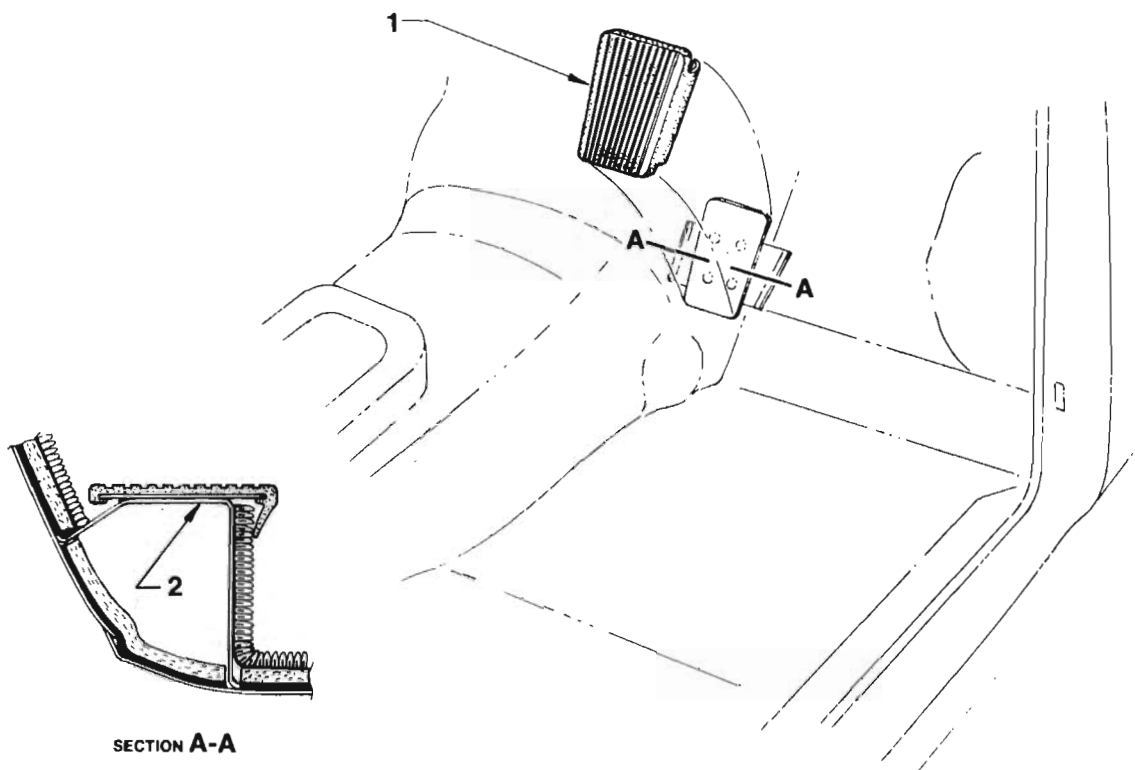
**DOOR PANELS
VL SERIES**

REF. NO.	PART NAME	GROUP
1	DOOR SHELL ASM. - Front	12.895
2	PANEL - Centre pillar, Outer	12.491
2	PANEL - Centre pillar, Inner	NSS
3	PANEL - Centre pillar, Lower.....	12.491
4	PANEL ASM. - Front door outer	12.895
5	DOOR SHELL ASM. - Rear.....	12.913
6	PANEL - Rear body lock pillar	12.942
7	PANEL ASM. - Rear door outer	12.913



**UNDERBODY SEALING
VL SERIES**

REF. NO.	PART NAME	GROUP
1	PLUG - Child seat anchorage.....	12.981
2	PLUG - Floor pan seat belt hole blanking.....	14.875
3	PLUG - Paint drain hole sealing.....	NS
4	PLUG - Drain, Rubber.....	12.981
5	PLUG - Cable hole sealing, Rubber.....	12.980
6	PLUG - Paint drain hole sealing, Rubber.....	12.980
7	PLUG - Paint drain hole sealing, Rubber.....	12.980



**FOOT REST TRIM PAD
VL SERIES**

REF. NO.	PART NAME	GROUP
1	PAD - Footrest.....	12.980
2	BRACKET ASM.....	NS



GROUP

13.000

BODY WIRING



BODY WIRING

- **NOTE : FOR WIRING ILLUSTRATIONS REFER GROUP 2.000 & 11.000**



"V" SERIES PARTS CATALOGUE

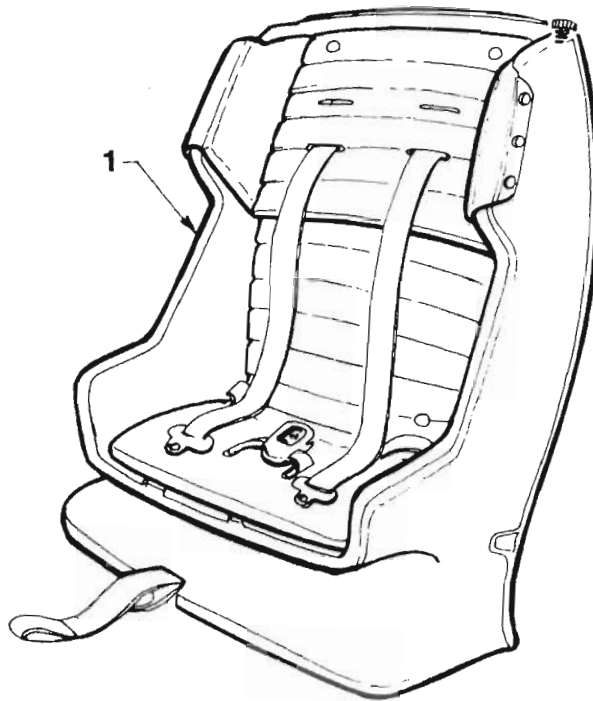
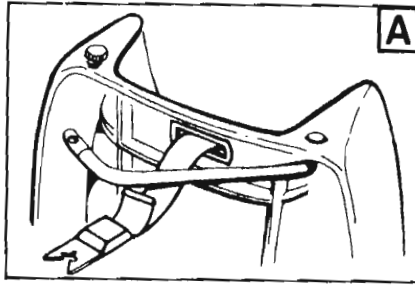
GROUP

14.000

**INTERIOR TRIM
SEAT BELTS**

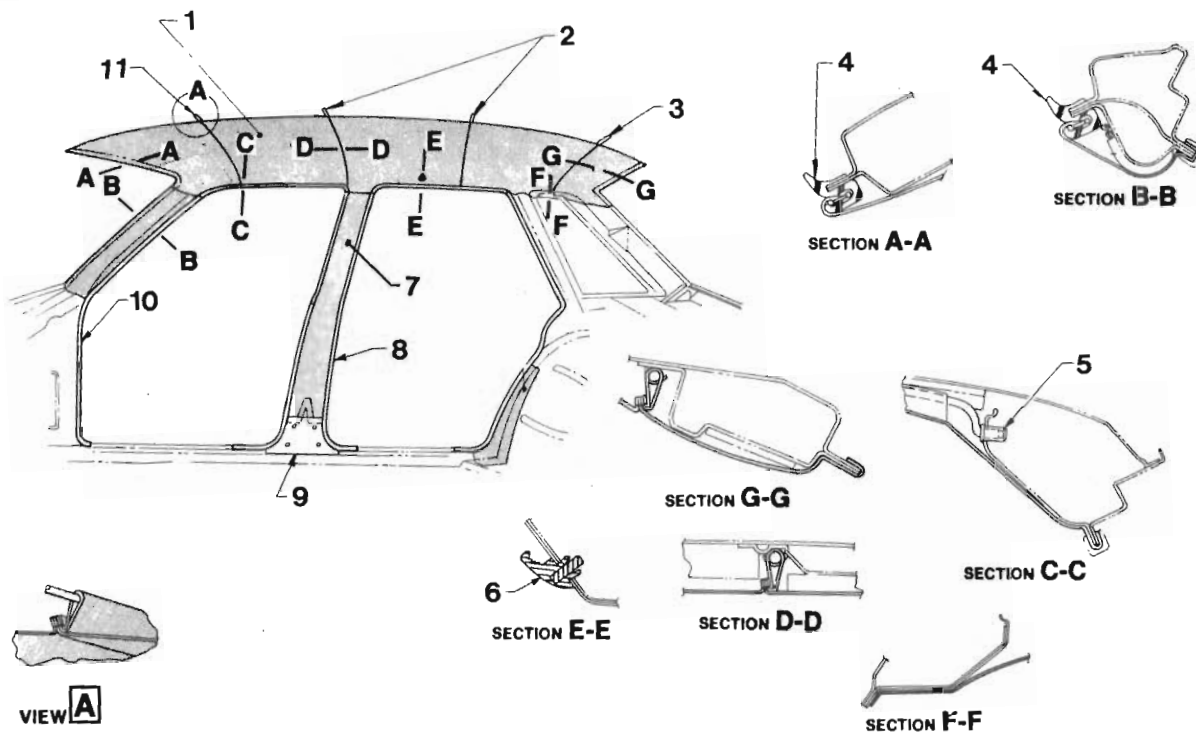


"V" SERIES PARTS CATALOGUE



CHILD SEAT VL SERIES

REF. NO.	PART NAME	GROUP
1	SEAT PACKAGE - CHILD	14.870



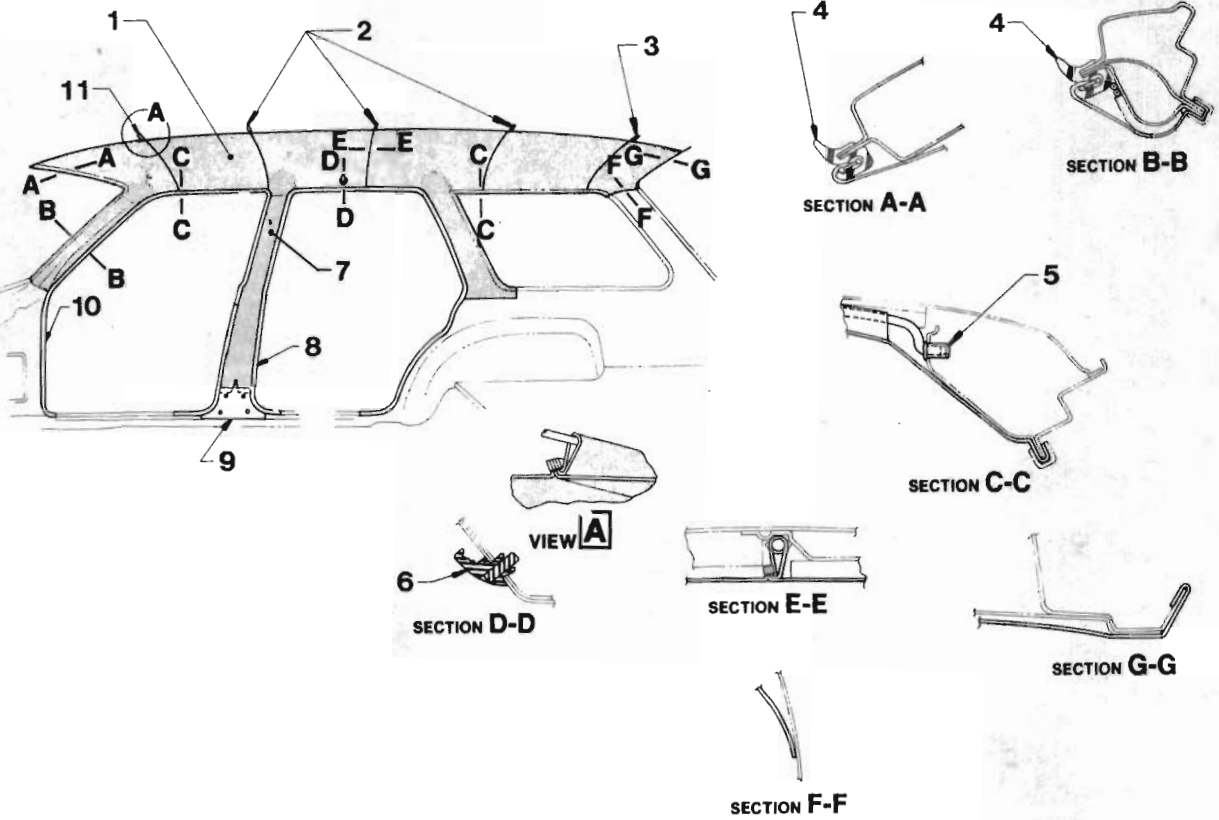
**HEADLINING
SEDAN
VL SERIES**

REF. NO.	PART NAME	GROUP
1	HEADLINING ASM.	14.640
2	WIRE - Nos.2 & 3	12.955
3	WIRE - No.4	12.955
4	LACING - Windshield glass.....	10.092
5	GROMMET - Headlining listing.....	12.955
6	HOOK & PIN - Coat.....	15.388
7(A)	TRIM - Centre pillar, Upper.....	N.S.S.
8	WINDLACE - Rear door opening	10.694
9	COVER - Front seat belt retractor, Outer.....	14.875
10	WINDLACE/WINDLACE & WEATHERSTRIP - Front door opening.....	10.694
11	WIRE - Headlining listing No.1	12.955

NOTE:- (A Part of HEADLINING Refer Group 14.640)



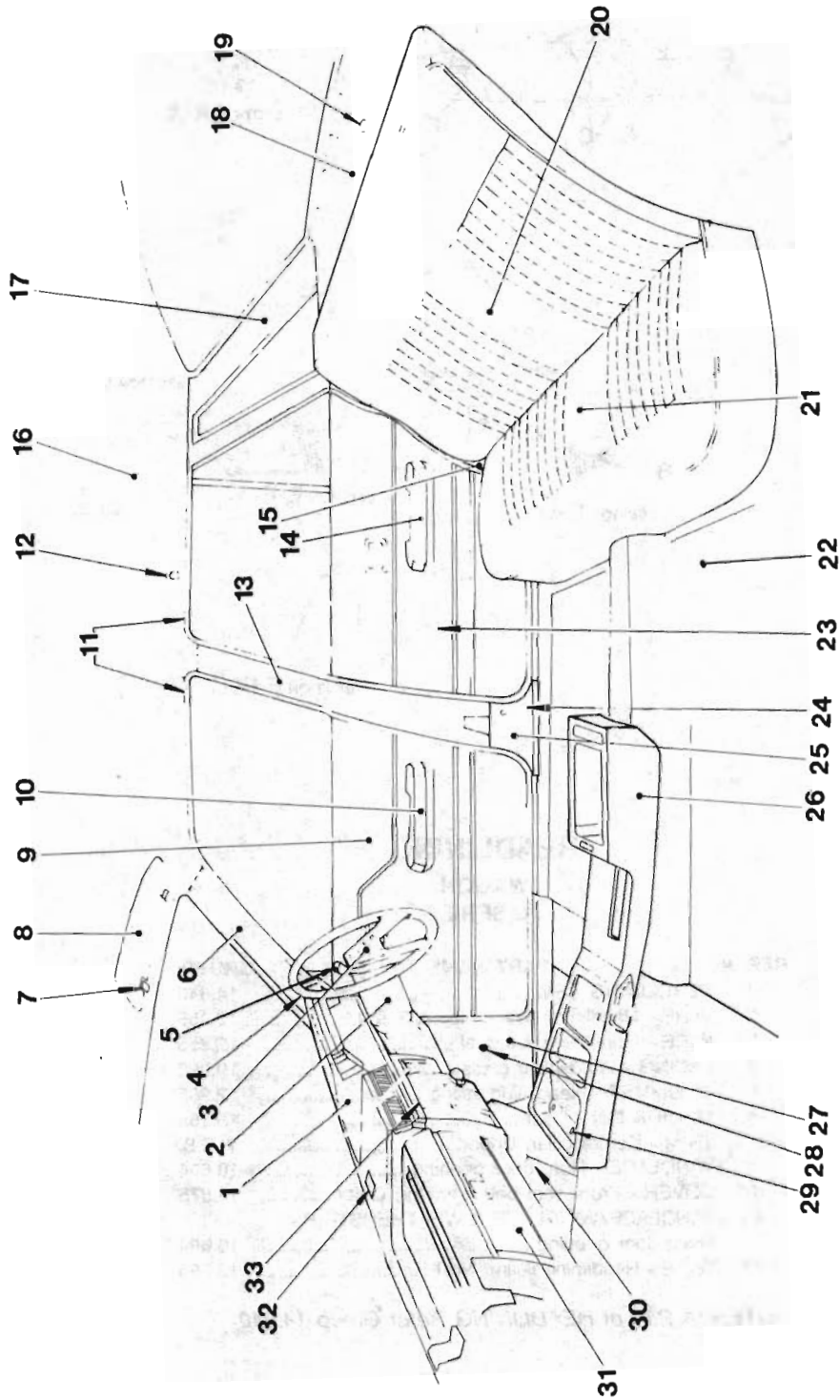
"V" SERIES PARTS CATALOGUE



**HEADLINING
WAGON
VL SERIES**

REF. NO.	PART NAME	GROUP
1	HEADLINING ASM.	14.640
2	WIRE - Headlining listing Nos.2, 3 & 4.....	12.955
3	WIRE - Headlining listing No.5.....	12.955
4	LACING - Windshield glass.....	10.092
5	GROMMET - Headlining listing.....	12.955
6	HOOK & PIN - Coat.....	15.388
7(A)	TRIM - Centre pillar, Upper.....	N.S.S.
8	WINDLACE - Rear door opening.....	10.694
9	COVER - Front seat belt retractor, Outer.....	14.875
10	WINDLACE/WINDLACE & WEATHERSTRIP - Front door opening.....	10.694
11	WIRE - Headlining listing No.1.....	12.955

NOTE:- (A Part of HEADLINING Refer Group 14.640)



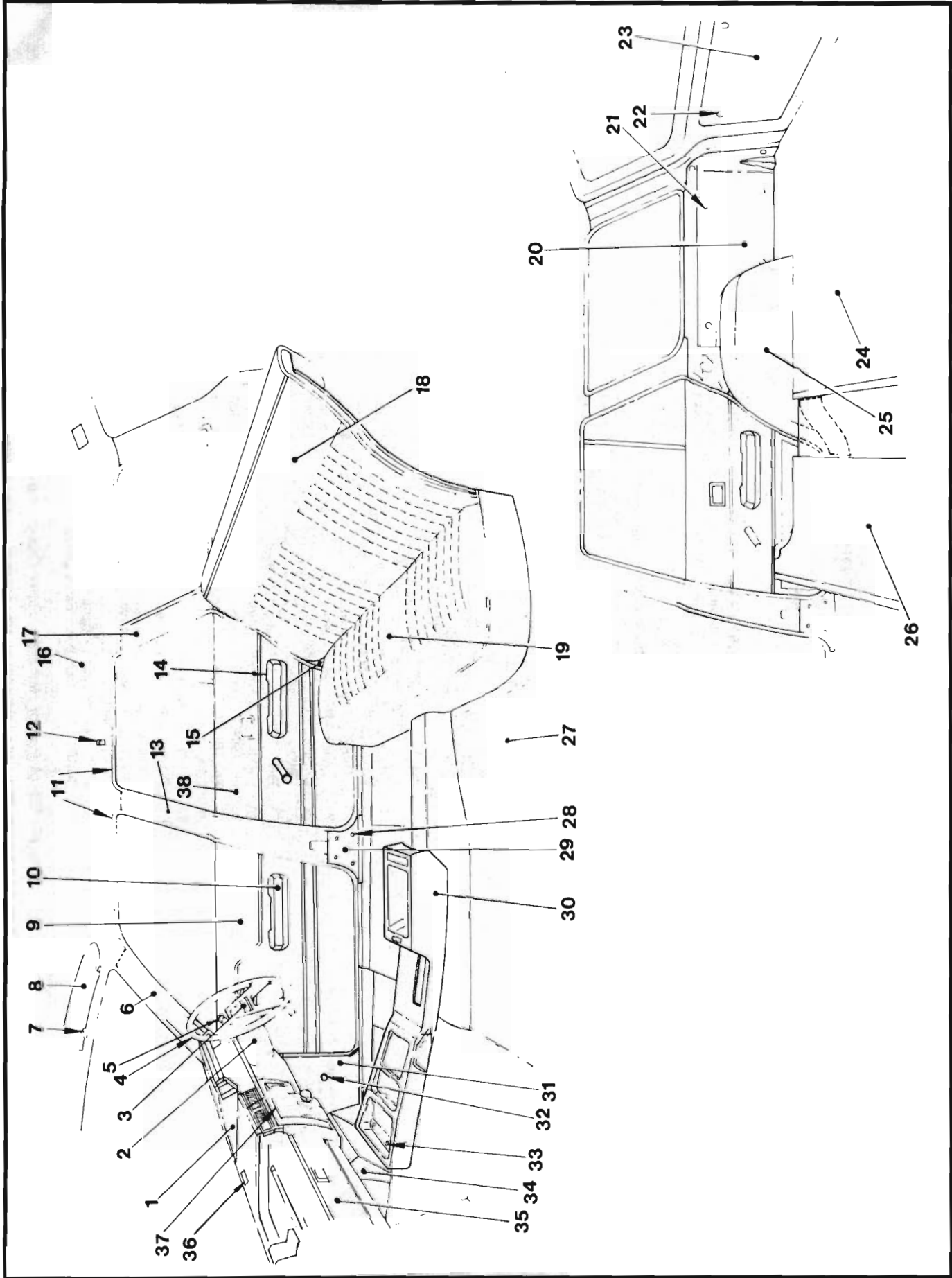


INTERIOR TRIM
8VK19 MODEL CODE
VL SERIES

ILLUSTRATION OPPOSITE

REF. NO.	PART NAME	GROUP
1	PAD ASM. - Instrument panel.....	10.230
2	HOUSING - Steering column.....	6.518
3	BAR - Horn actuating.....	2.830
4	WHEEL ASM. - Steering.....	6.513
5	SWITCH ASM. - Headlamp, park lamp, dimmer & turn signal.....	2.459
6	TRIM - Front door pillar.....	10.051
7	RETAINER - Sunvisor.....	10.219
8	SUNVISOR & PIVOT ASM.....	10.203
9	TRIM - Front door.....	14.685
10	ARMREST - Front door.....	14.685
11	WINDLACE - Door.....	10.694
12	HOOK & PIN - Coat.....	15.388
13A)	TRIM - Centre pillar - Upper.....	14.730
14	ARMREST - Rear door.....	14.762
15	TRIM - Rear quarter side - Lower.....	15.100
16	HEADLINING ASM.....	14.640
17	TRIM - Rear quarter side - Upper.....	15.100
18	SHELF ASM. - Package tray rear.....	15.024
19	FASTENER - Package tray rear shelf.....	15.024
20	COVER - Rear seat back.....	15.000
21	COVER - Rear seat cushion.....	15.085
22	CARPET - One piece, front & rear floor.....	15.286
23	TRIM - Rear door.....	14.760
24	PIN - Front seat belt retractor cover.....	14.875
25	COVER - Front seat belt retractor outer.....	14.875
26	HOUSING ASM. - Console.....	10.240
27	FASTENER - Cowl side panel lower trim.....	14.630
28	TRIM ASM. - Cowl side panel lower.....	14.630
29	PLUG - Console front.....	10.240
30	COVER ASM. - Heater case to lower instrument panel.....	8.849
31	MOULDING ASM. - Instrument panel compartment.....	10.252
32	CAP - Pad mounting - Centre.....	10.230
33	SURROUND - Instrument panel centre.....	10.230

NOTE:- (A Part of Headlining Refer Group 14.640





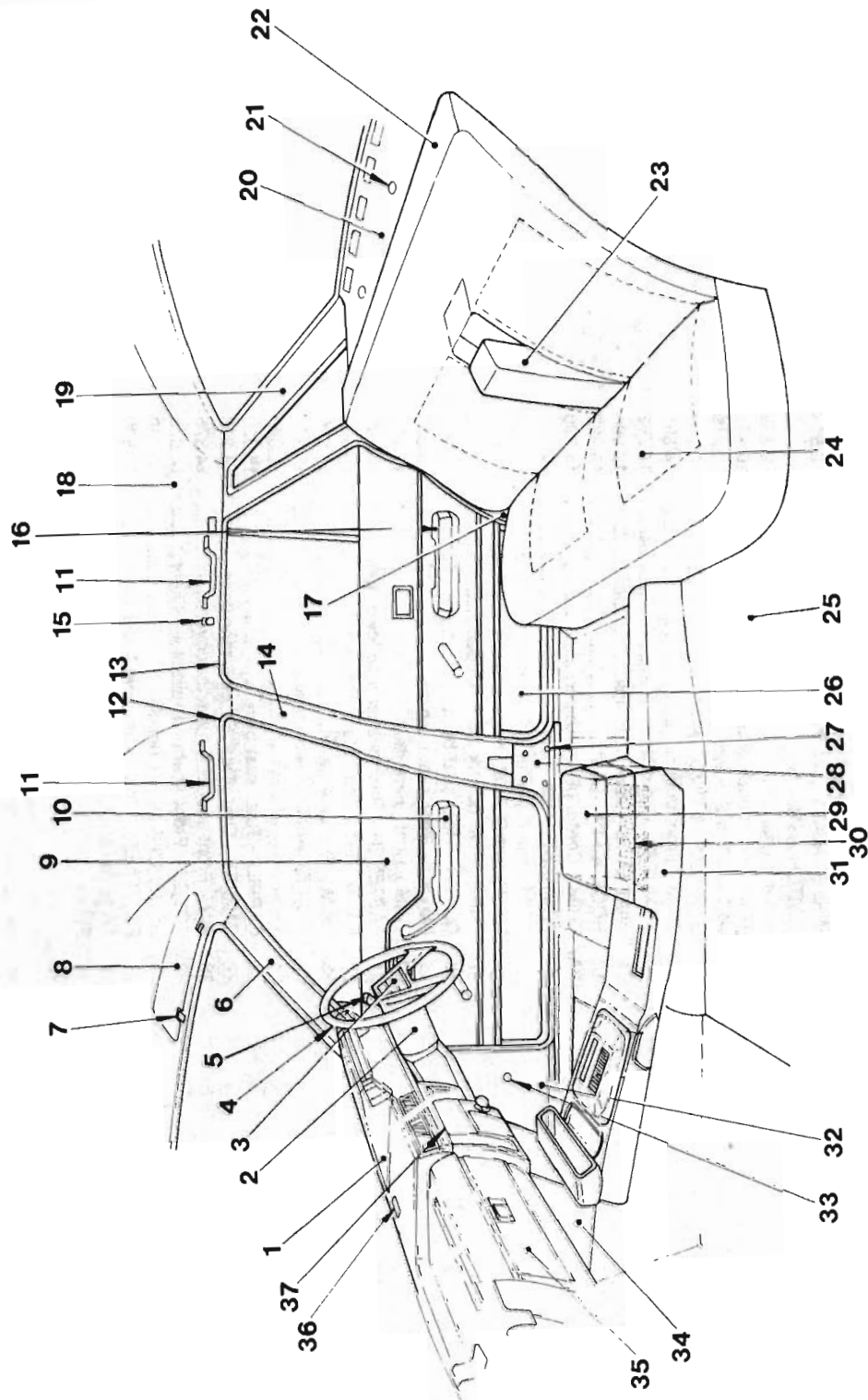
"V" SERIES PARTS CATALOGUE

INTERIOR TRIM 8VK35 MODEL CODE VL SERIES

ILLUSTRATION OPPOSITE

REF. NO.	PART NAME	GROUP
1	PAD ASM. - Instrument panel.....	10.230
2	HOUSING - Steering column.....	6.518
3	BAR - Horn actuator.....	2.830
4	WHEEL ASM. - Steering.....	6.513
5	SWITCH ASM. - Headlamp, park lamp, dimmer & turn signal.....	2.459
6	TRIM - Front body pillar.....	10.051
7	RETAINER - Sunvisor.....	10.219
8	SUNVISOR & PIVOT ASM.....	10.203
9	TRIM - Front door.....	14.685
10	ARMREST - Front door.....	14.762
11	WINDLACE - Door openings.....	10.694
12	HOOK & PIN - Coat.....	15.388
13A)	TRIM - Centre pillar - Upper.....	14.730
14	ARMREST - Rear door.....	14.762
15	TRIM - Rear quarter side - Lower.....	15.100
16	HEADLINING ASM.....	14.640
17	TRIM - Rear quarter side - Upper.....	15.100
18	COVER - Rear seat back.....	15.000
19	COVER - Rear seat cushion.....	15.035
20	TRIM - Rear quarter side - Lower.....	15.100
21	FASTENER - Rear quarter side lower trim.....	15.100
22	FASTENER - End gate panel trim.....	15.320
23	TRIM - End gate panel.....	15.320
24	CARPET ASM. - Rear compartment floor.....	15.320
25	TRIM - Wheelhouse.....	15.099
26	CARPET - Rear seat back.....	15.320
27	CARPET - One piece, Front & rear floor.....	15.286
28	PIN - Front seat belt retractor cover.....	14.875
29	COVER - Front seat belt retractor - Outer.....	14.875
30	HOUSING ASM. - Console.....	10.240
31	FASTENER - Cowl side panel lower trim.....	14.630
32	TRIM ASM. - Cowl side panel lower.....	14.630
33	PLUG - Console front.....	10.240
34	COVER ASM. - Heater case to lower instrument panel.....	8.849
35	MOULDING ASM. - Instrument panel compartment.....	10.252
36	CAP - Pad mounting - Centre.....	10.230
37	SURROUND - Instrument panel centre.....	10.230
38	TRIM - Rear door.....	14.760

NOTE:- (A. Part of Headlining Refer Group 14.640)





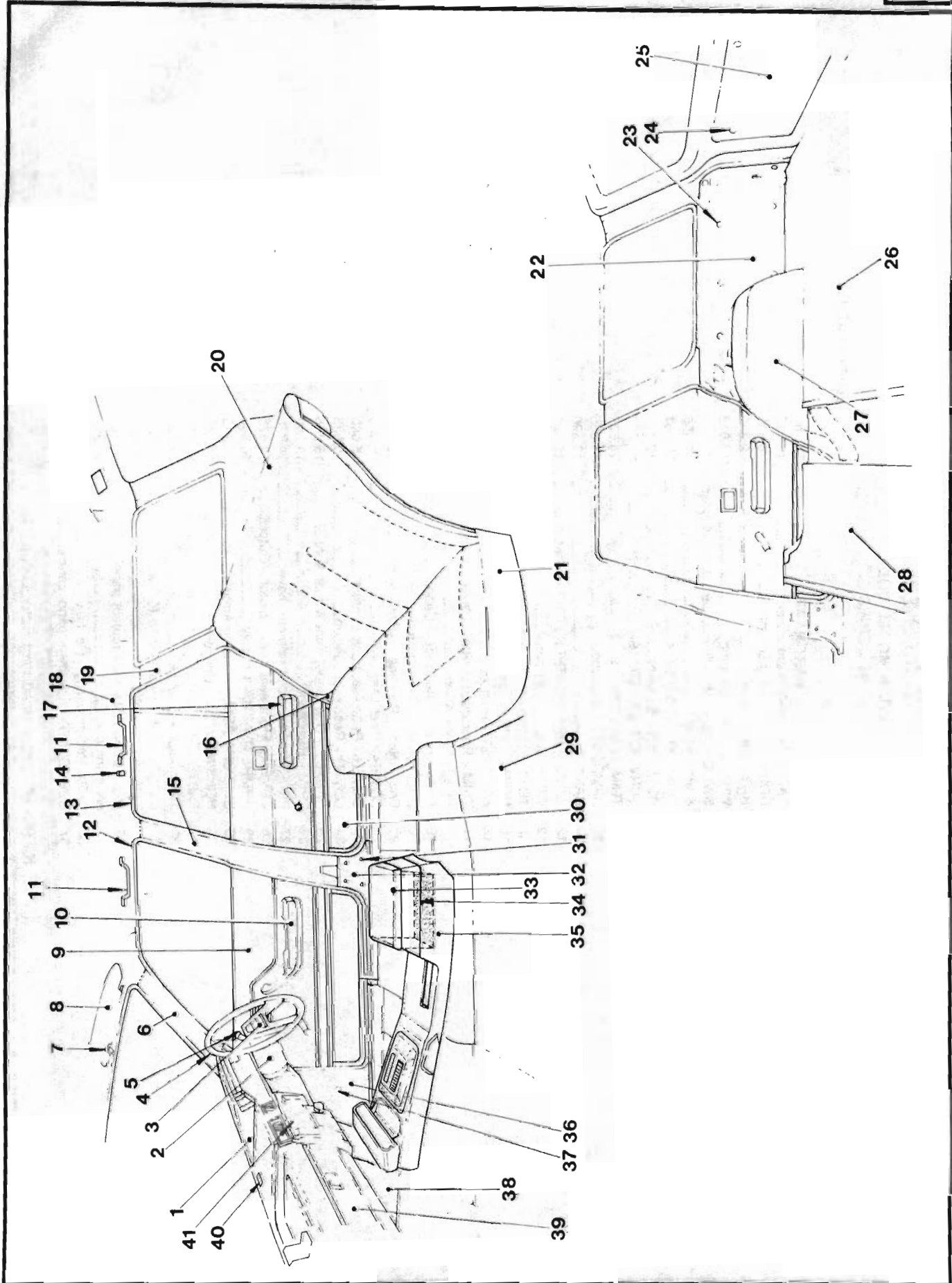
"V" SERIES PARTS CATALOGUE

INTERIOR TRIM 8VL19 MODEL CODE VL SERIES

ILLUSTRATION OPPOSITE

REF. NO.	PART NAME	GROUP
1	PAD ASM. - Instrument panel.....	10.230
2	HOUSING - Steering column.....	6.518
3	BAR - Horn actuator.....	2.830
4	WHEEL ASM. - Steering.....	6.513
5	SWITCH ASM. - Headlamp, park lamp, dimmer & turn signal.....	2.459
6	TRIM - Front body pillar.....	10.051
7	RETAINER - Sunvisor.....	10.219
8	SUNVISOR & PIVOT ASM.....	10.203
9	TRIM - Front door.....	14.685
10	ARMREST - Front door.....	14.685
11	HANDLE - Assist.....	15.390
12	WINDLACE & WEATHERSTRIP - Front door.....	10.694
13	WINDLACE - Rear door.....	10.694
14A)	TRIM - Centre pillar - Upper.....	14.730
15	HOOK & PIN - Coat.....	15.388
16	ARMREST - Rear door.....	14.762
17	TRIM - Rear quarter side - Lower.....	15.100
18	HEADLINING ASM.....	14.640
19	TRIM - Rear quarter side - Upper.....	15.100
20	SHELF ASM. - Package tray rear.....	15.024
21	FASTENER - Package tray rear shelf.....	15.024
22	COVER - Rear seat back.....	15.000
23	COVER - Rear seat back armrest.....	15.040
24	COVER - Rear seat cushion.....	15.085
25	CARPET - One piece, front & rear floor.....	15.286
26	TRIM - Rear door.....	14.760
27	PIN - Front seat belt retractor cover.....	14.875
28	COVER - Front seat belt retractor - Outer.....	14.875
29	ARMREST ASM. - Console.....	10.240
30	SUPPORT ASM. - Console armrest.....	10.240
31	HOUSING ASM. - Console.....	10.240
32	FASTENER - Cowl side panel lower trim.....	14.630
33	TRIM ASM. - Cowl side panel lower.....	14.630
34	COVER ASM. - Heater case to lower instrument panel.....	8.849
35	MOULDING ASM. - Instrument panel compartment.....	10.252
36	CAP - Pad mounting - Centre.....	10.230
37	SURROUND - Instrument panel centre.....	10.230

NOTE:- (A Part of Headlining Refer Group 14.640



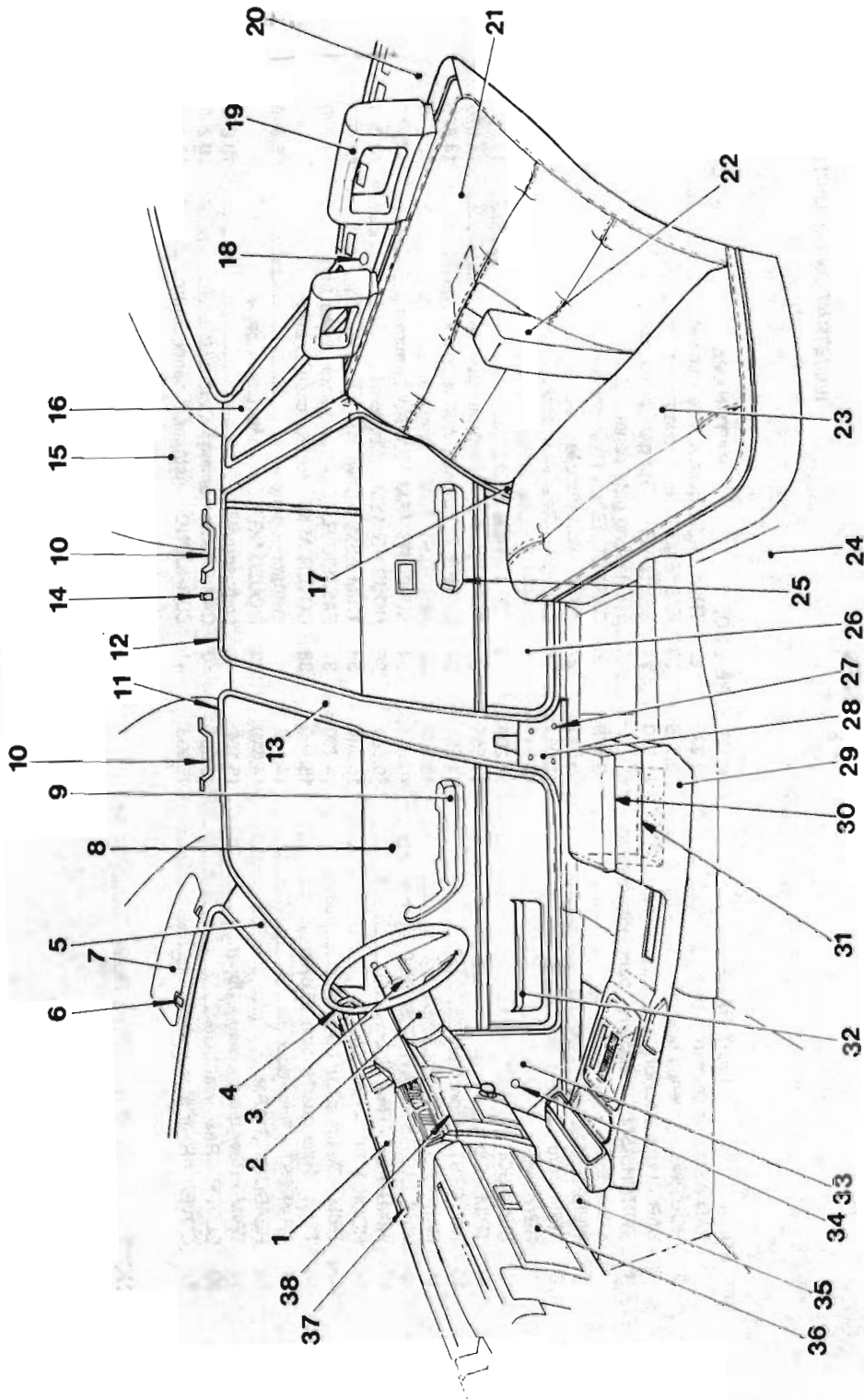


INTERIOR TRIM
8VL35 MODEL CODE
VL SERIES

ILLUSTRATION OPPOSITE

REF. NO.	PART NAME	GROUP	REF. NO.	PART NAME	GROUP
1	PAD ASM. - Instrument panel.....	10.230	22	TRIM - Rear quarter side - Lower.....	15.100
2	HOUSING - Steering column.....	6.518	23	FASTENER - Rear quarter side lower trim.....	15.100
3	BAR - Horn actuator.....	2.830	24	FASTENER - End gate panel trim.....	15.320
4	SWITCH ASM. - Headlamp, park lamp, dimmer & turn signal.....	3.459	25	TRIM - End gate panel.....	15.320
5	WHEEL ASM. - Steering.....	6.513	26	CARPET ASM. - Rear compartment floor.....	15.320
6	TRIM - Front body pillar.....	10.051	27	TRIM - Wheelhouse.....	15.099
7	RETAINER - Sunvisor.....	10.219	28	CARPET - Rear seat back.....	15.320
8	SUNVISOR & PIVOT ASM.....	10.203	29	CARPET - One piece, Front & rear floor.....	15.286
9	TRIM - Front door.....	14.685	30	TRIM - Rear door.....	14.760
10	ARMREST - Front door.....	14.685	31	PIN - Front seat belt retractor cover.....	14.875
11	HANDLE - Assist.....	15.390	32	COVER - Front seat belt retractor outer.....	14.875
12	WINDLAGE & WEATHERSHIELD - Front door.....	10.694	33	ARMREST ASM. - Console.....	10.240
13	WINDLAGE - Rear door.....	10.694	34	SUPPORT ASM. - Console armrest.....	10.240
14	HOOK & PIN - Coat.....	15.388	35	HOUSING ASM. - Console.....	10.240
15A)	TRIM - Centre pillar - Upper.....	14.730	36	TRIM ASM. - Cowl side panel lower.....	14.630
16	TRIM - Rear quarter side - Lower.....	15.100	37	FASTENER - Cowl side panel lower trim.....	14.630
17	ARMREST - Rear door.....	14.762	38	COVER ASM. - Heater case to lower instrument panel.....	8.849
18	HEADLINING ASM.....	14.640	39	MOULDING ASM. - Instrument panel compartment.....	10.252
19	TRIM - Rear quarter side - Upper.....	15.100	40	CAP - Pad mounting - Centre.....	10.230
20	COVER - Rear seat back.....	15.000	41	SURROUND - Instrument panel centre.....	10.230
21	COVER - Rear seat cushion.....	15.035			

NOTE:- (A Part of Headlining Refer Group 14.640



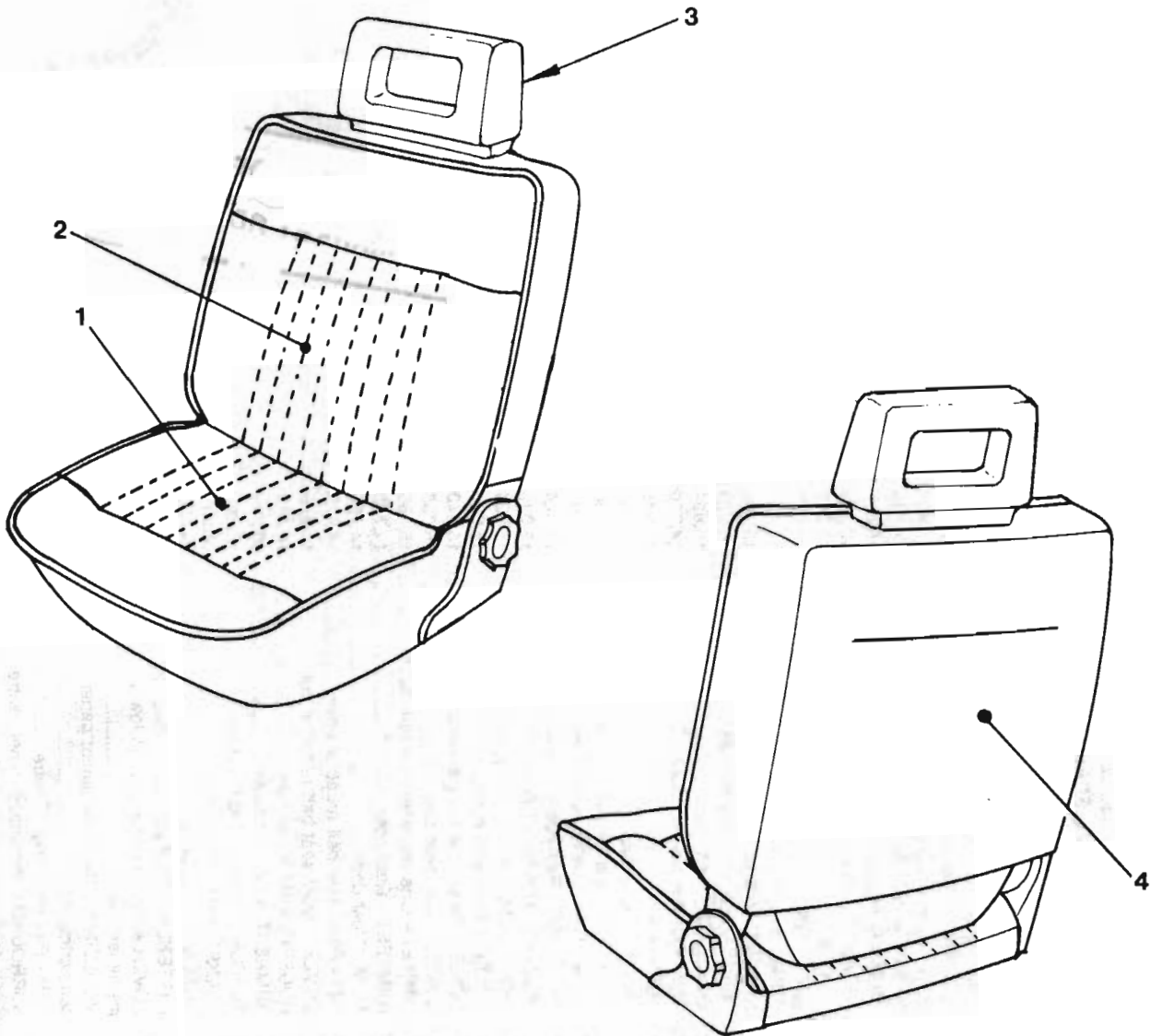


INTERIOR TRIM
8VX19 MODEL CODE
VL SERIES

ILLUSTRATION OPPOSITE

REF. NO.	PART NAME	GROUP
1	PAD ASM. - Instrument panel.....	10.230
2	HOUSING - Steering column.....	6.518
3	BAR - Horn actuator.....	2.830
4	WHEEL ASM. - Steering.....	6.513
5	TRIM - Front body pillar.....	10.051
6	RETAINER - Survivor.....	10.219
7	SUNVISOR & PIVOT ASM.....	10.203
8	TRIM - Front door.....	14.685
9	ARMREST - Front door.....	14.685
10	HANDLE - Assist.....	15.390
11	WINDLACE & WEATHERSHIELD - Front door ...	10.694
12	WINDLACE - Rear door.....	10.694
13A)	TRIM - Centre pillar - Upper.....	14.730
14	HOOK & PIN - Coat.....	15.388
15	HEADLINING ASM.....	14.640
16	TRIM - Rear quarter side - Upper.....	15.100
17	TRIM - Rear quarter side - Lower.....	15.100
18	FASTENER - Package tray rear shelf.....	15.024
19	HEAD RESTRAINT - Rear seat.....	15.038
20	SHELF ASM. - Package tray rear.....	15.024
21	COVER - Rear seat back.....	15.000
22	COVER - Rear seat back armrest.....	15.040
23	COVER - Rear seat cushion.....	15.085
24	CARPET - One piece, front & rear floor.....	15.286
25	ARMREST - Rear door.....	14.762
26	TRIM - Rear door.....	14.760
27	PIN - Front seat belt retractor cover.....	14.875
28	COVER - Front seat belt retractor outer.....	14.875
29	HOUSING ASM. - Console.....	10.240
30	ARMREST ASM. - Console.....	10.240
31	SUPPORT ASM. - Console armrest.....	10.240
32	POCKET ASM. - Front door.....	14.692
33	TRIM ASM. - Cowl side panel lower.....	14.630
34	FASTENER - Cowl side panel lower trim.....	14.630
35	COVER ASM. - Heater case to lower instrument panel.....	8.849
36	MOULDING ASM. - Instrument panel compartment.....	10.252
37	CAP - Pad mounting - Centre.....	10.230
38	SURROUND - Instrument panel centre.....	10.230

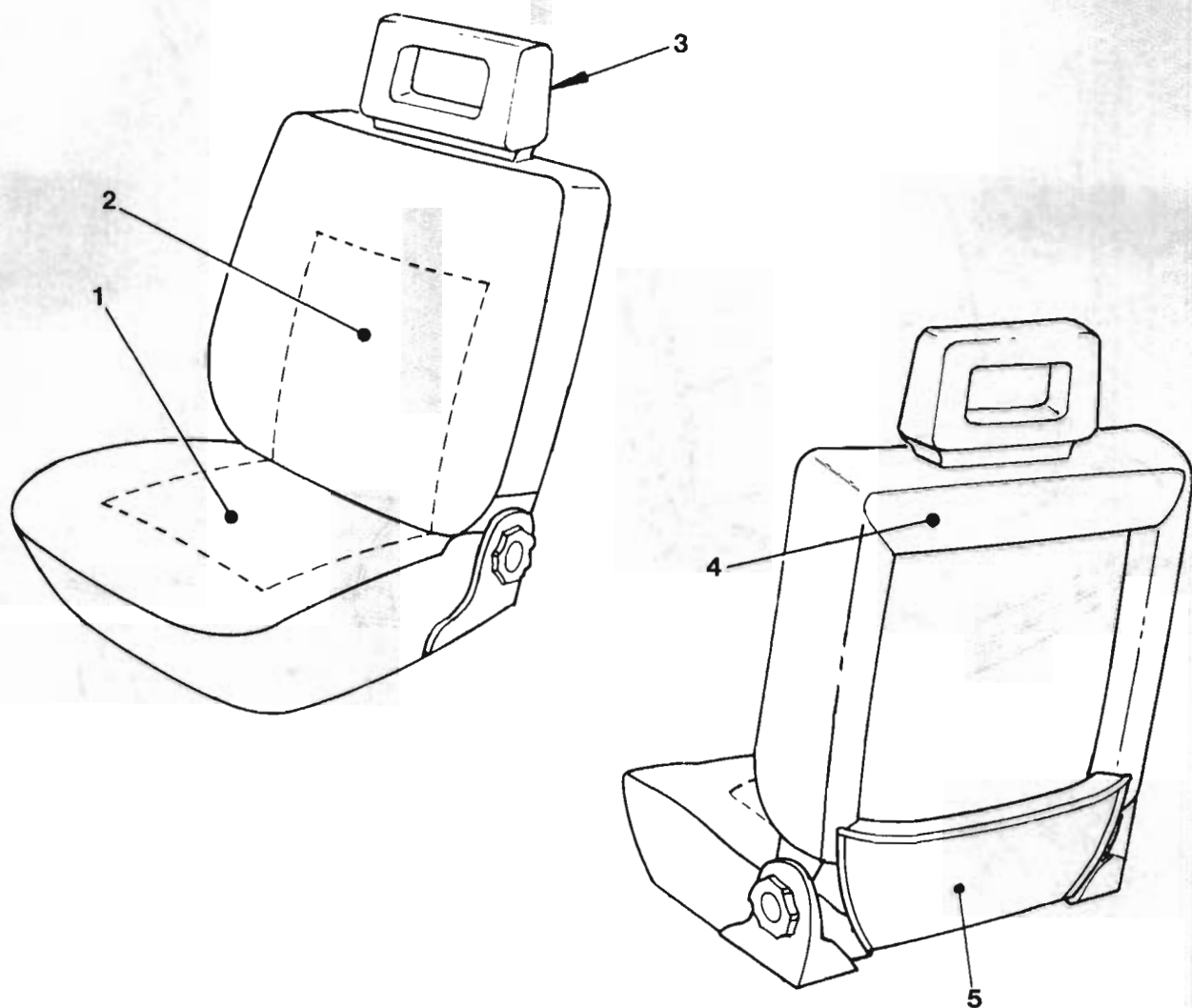
NOTE:- (A Part of Headlining Refer Group 14.640)



FRONT BUCKET SEAT

**8VK MODEL CODE
VL SERIES**

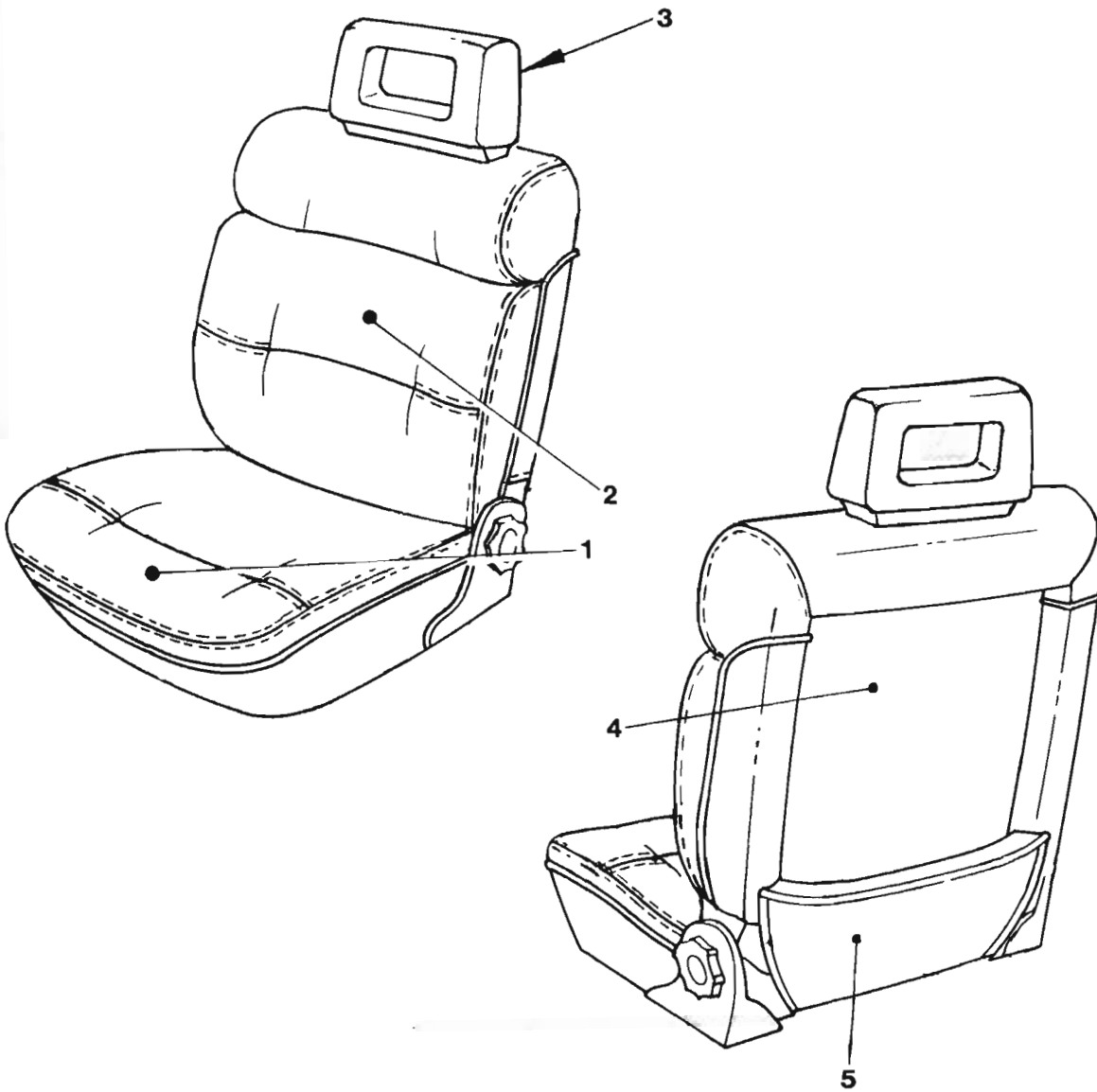
REF. NO.	PART NAME	GROUP
1	COVER - Front seat cushion.....	14.880
2	COVER - Front seat back.....	14.800
3	HEAD RESTRAINT - Front seat.....	14.924
4	TRIM - Front seat back, Rear.....	14.810



FRONT BUCKET SEAT

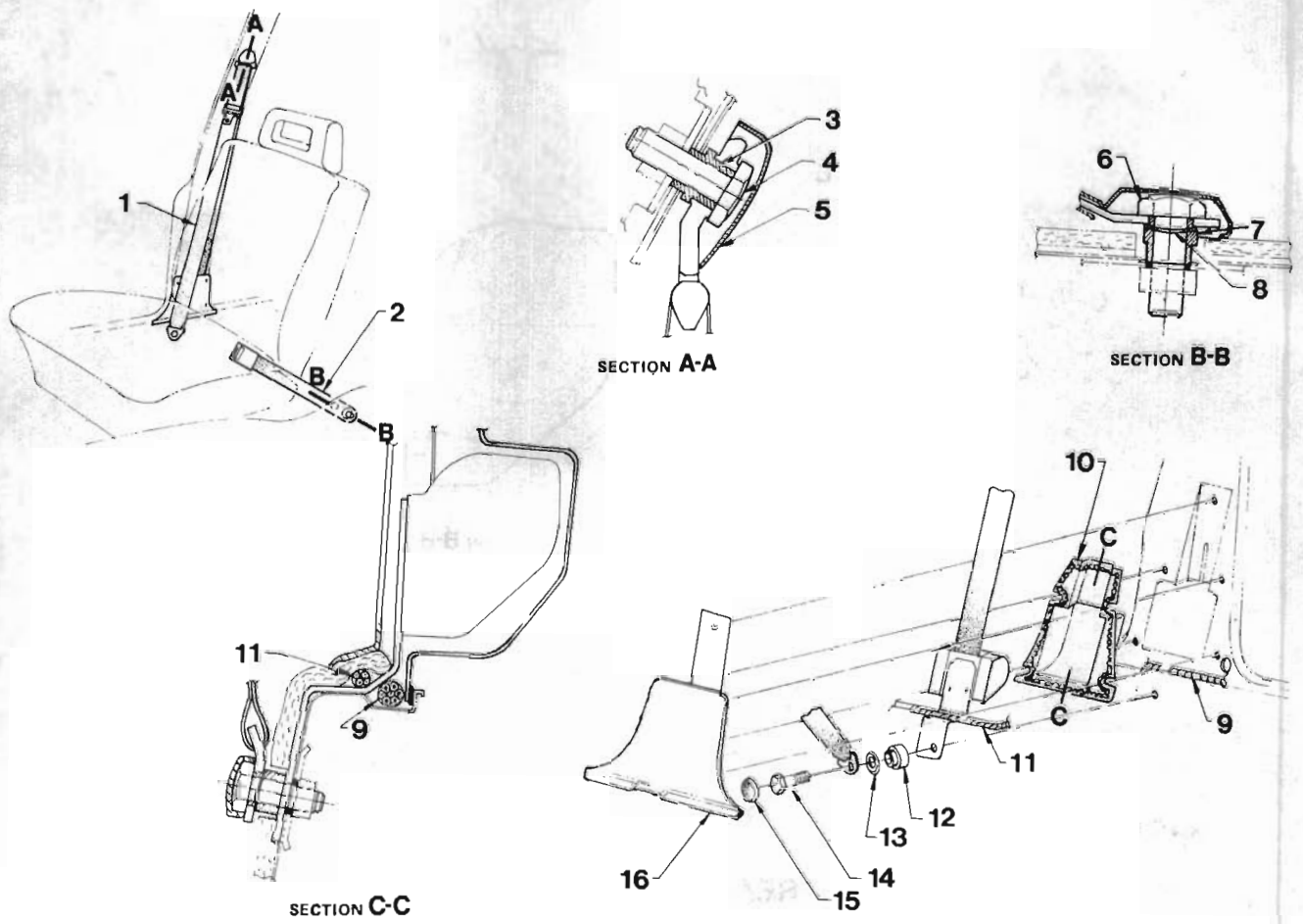
**8VL MODEL CODE
VL SERIES**

REF. NO.	PART NAME	GROUP
1	COVER - Front seat cushion	14.880
2	COVER - Front seat back	14.800
3	HEAD RESTRAINT - Front seat.....	14.924
4	TRIM - Front seat back, Rear	14.810
5	CARPET - Front seat back lower	14.810



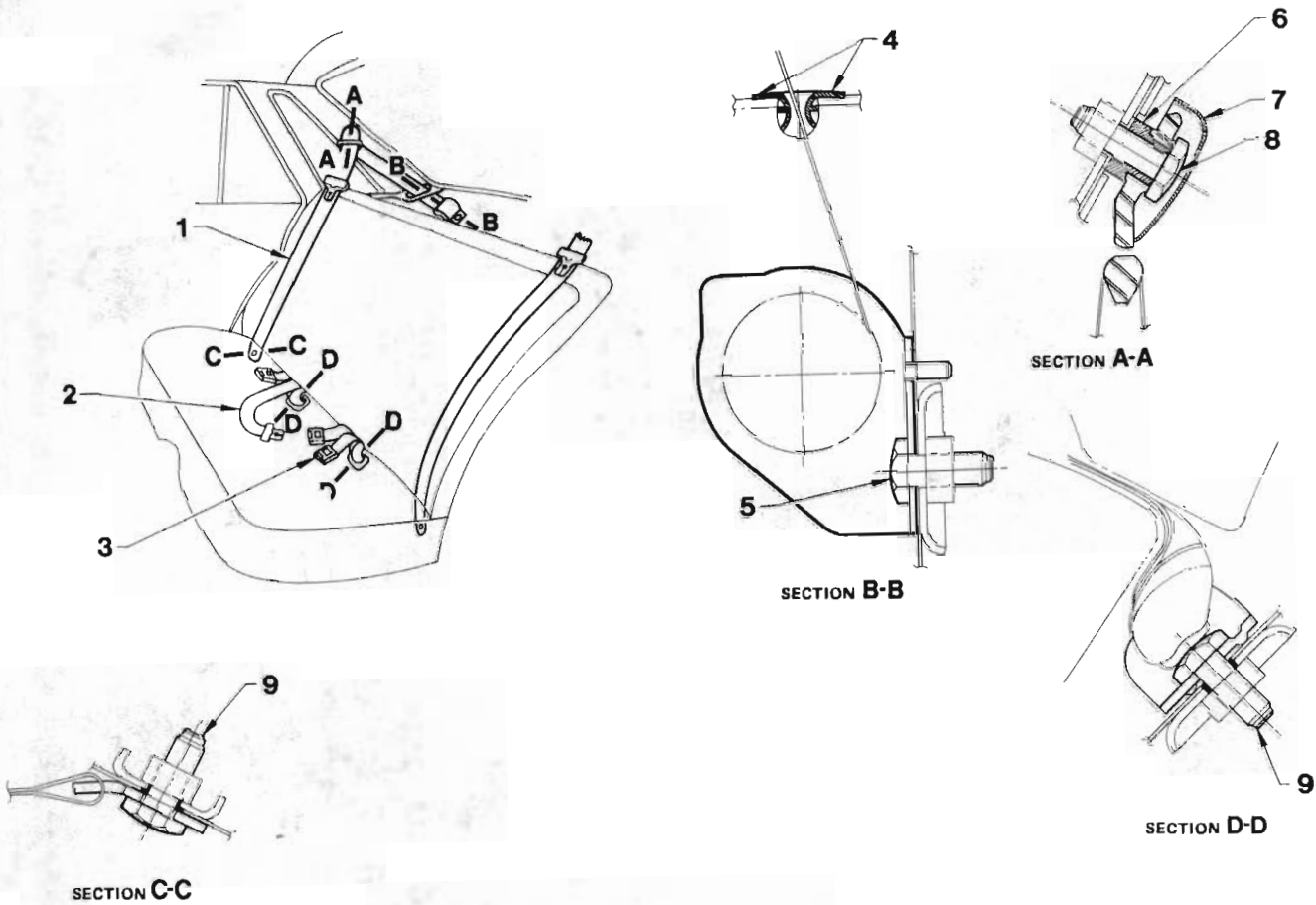
FRONT BUCKET SEAT
8VX19 MODEL CODE
VL SERIES

REF. NO.	PART NAME	GROUP
1	COVER - Front seat cushion.....	14.880
2	COVER - Front seat back.....	14.800
3	HEAD RESTRAINT - Front seat.....	14.924
4	TRIM - Front seat back rear.....	14.810
5	CARPET - Front seat back lower.....	14.810



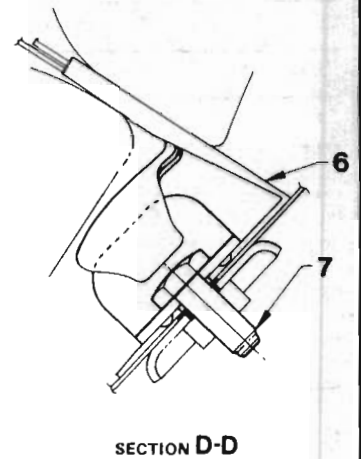
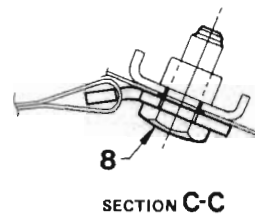
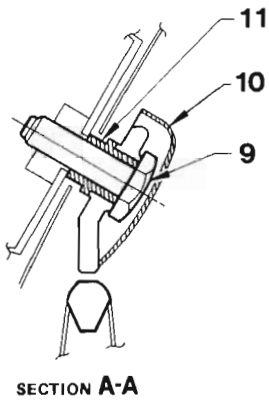
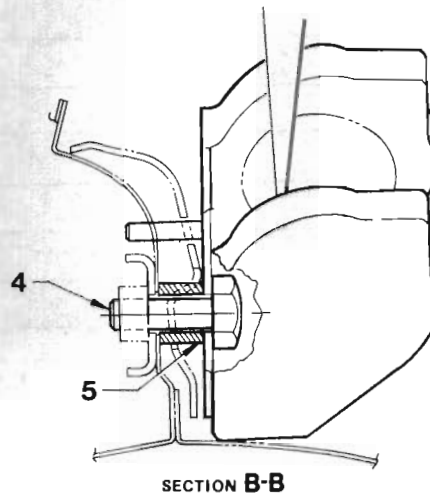
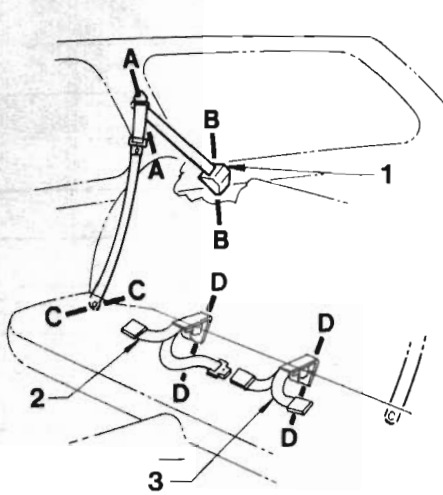
**FRONT SEAT BELTS
VL SERIES**

REF. NO.	PART NAME	GROUP
1	BELT & RETRACTOR ASM.....	14.875
2	BUCKLE ASM.....	14.875
3	SPACER - Sash guide to pillar.....	14.875
4	BOLT - Sash guide to centre pillar.....	14.875
5	COVER - Seat belt bolt, Upper.....	14.875
6	BOLT - Buckle to underbody.....	14.875
7	SPACER - Buckle to underbody.....	14.875
8	WASHER - Buckle to underbody.....	NS
9	HARNESS ASM. - Main wiring & body.....	2.480
10	CAP - Retractor, Inner.....	14.875
11	HARNESS ASM. - Electric door locks & power windows.....	10.485
12	SPACER - Retractor to rocker panel.....	14.875
13	WASHER - Retractor to rocker panel.....	14.875
14	BOLT - Retractor to rocker panel.....	14.875
15	COVER - Bolt to rocker panel.....	14.875
16	COVER - Retractor, Outer.....	14.875



**REAR SEAT BELTS
SEDAN
VL SERIES**

REF. NO.	PART NAME	GROUP
1	BELT & RETRACTOR ASM. - Lap & shoulder....	14.875
2	BELT & BUCKLE ASM. - Centre lap belt & RH shoulder buckle.....	14.875
3	BUCKLE ASM. - Twin, Centre lap & LH shoulder.....	14.875
4	GUIDE - Retractor.....	14.875
5	BOLT - Belt to wheelhouse.....	14.875
6	SPACER - Belt to side panel, Upper.....	14.875
7	COVER - Belt bolt, Upper, Retractor type.....	14.875
8	BOLT - Belt to side panel, Upper.....	14.875
9	BOLT - Belt to underbody.....	14.875
10	BOLT - Belt to wheelhouse.....	14.875



**REAR SEAT BELTS
WAGON
VL SERIES**

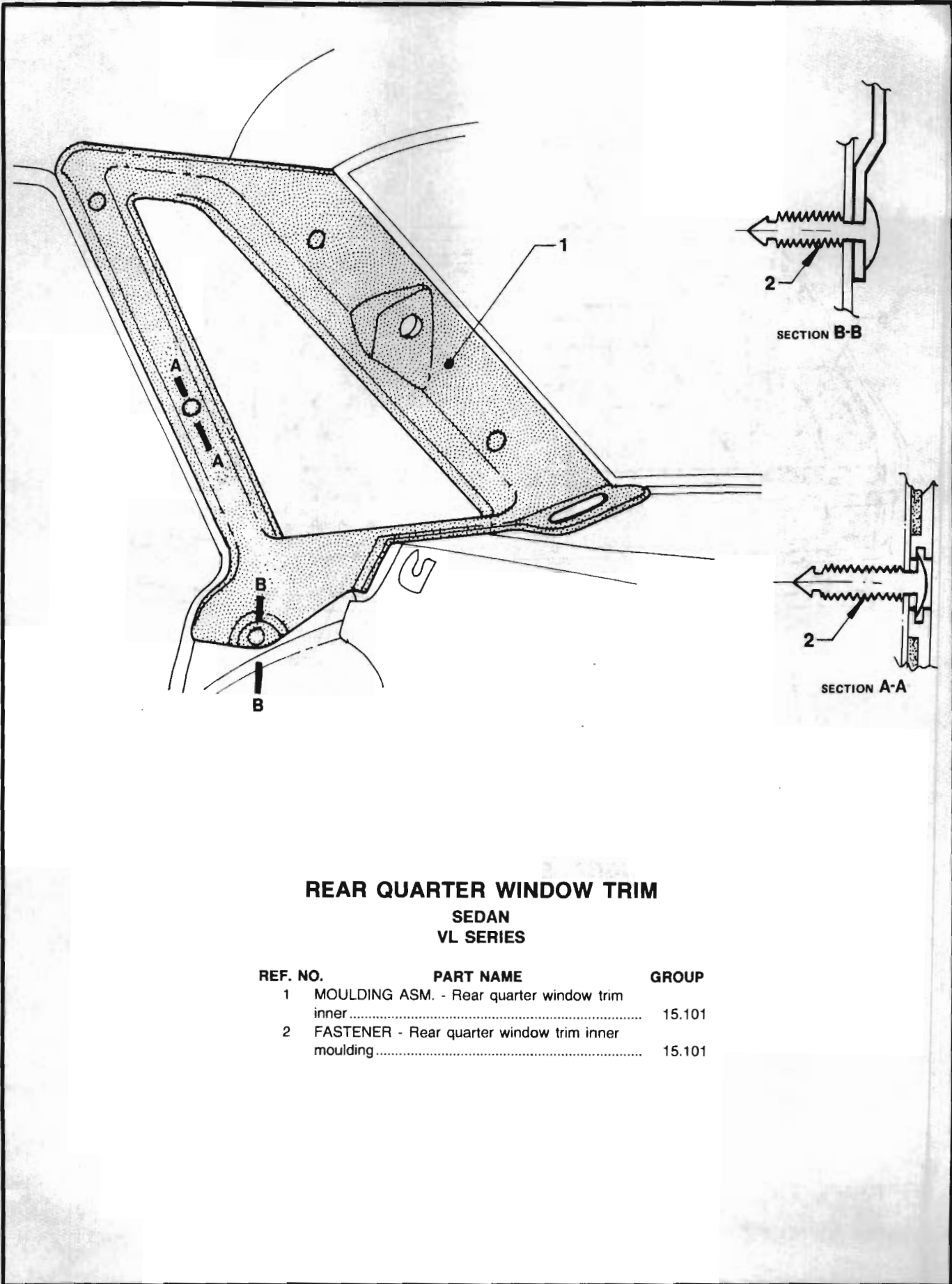
REF. NO.	PART NAME	GROUP
1	BELT & RETRACTOR ASM. - Lap & shoulder....	14.875
2	BELT & BUCKLE ASM. - Centre lap belt & RH shoulder buckle.....	14.875
3	BUCKLE ASM. - Twin, Centre lap & LH shoulder.....	14.875
4	BOLT - Retractor to side panel.....	14.875
5	SPACER - Retractor to side panel.....	14.875
6	SLEEVE - Belt retainer.....	14.875
7	BOLT - Belt to underbody.....	14.875
8	BOLT - Belt to wheelhouse.....	14.875
9	BOLT - Belt to side panel, Upper.....	14.875
10	COVER - Seat belt bolt, Upper, Retractor type...	14.875
11	SPACER - Seat belt to side panel, Upper.....	14.875



GROUP

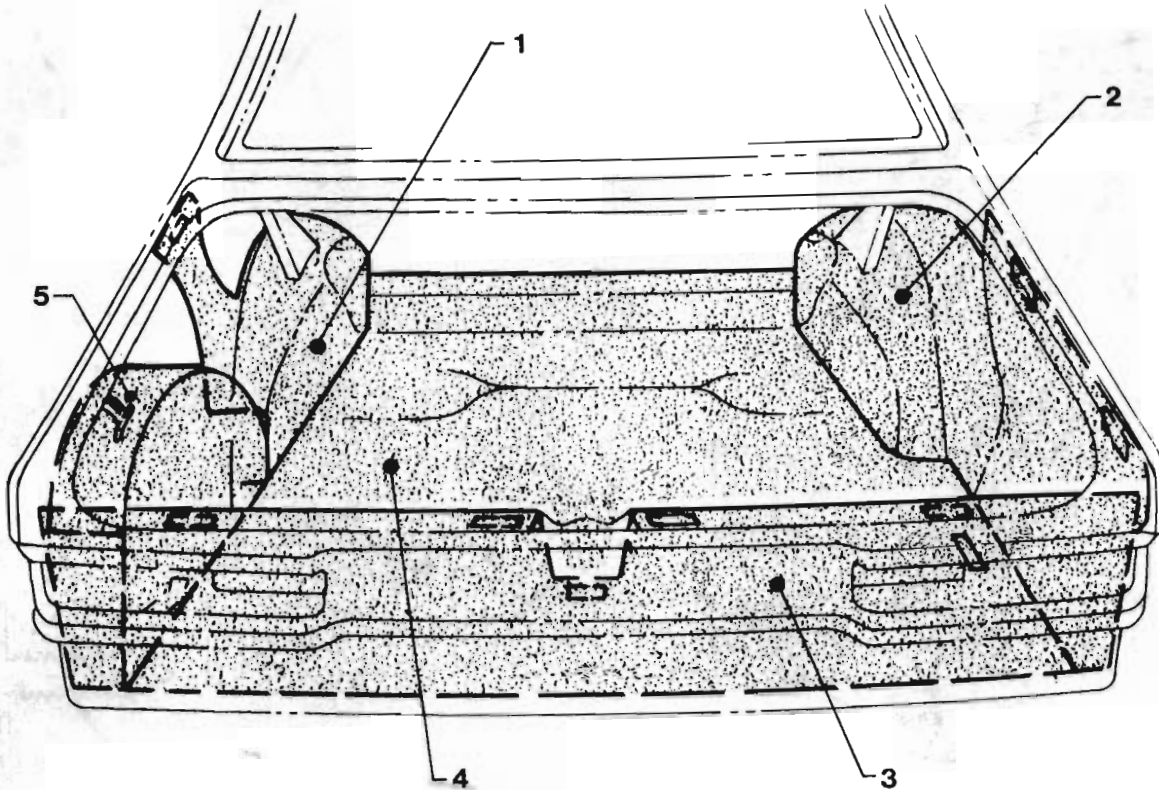
15.000

**REAR SEAT TRIM
CARPETS**



REAR QUARTER WINDOW TRIM
SEDAN
VL SERIES

REF. NO.	PART NAME	GROUP
1	MOULDING ASM. - Rear quarter window trim inner.....	15.101
2	FASTENER - Rear quarter window trim inner moulding.....	15.101

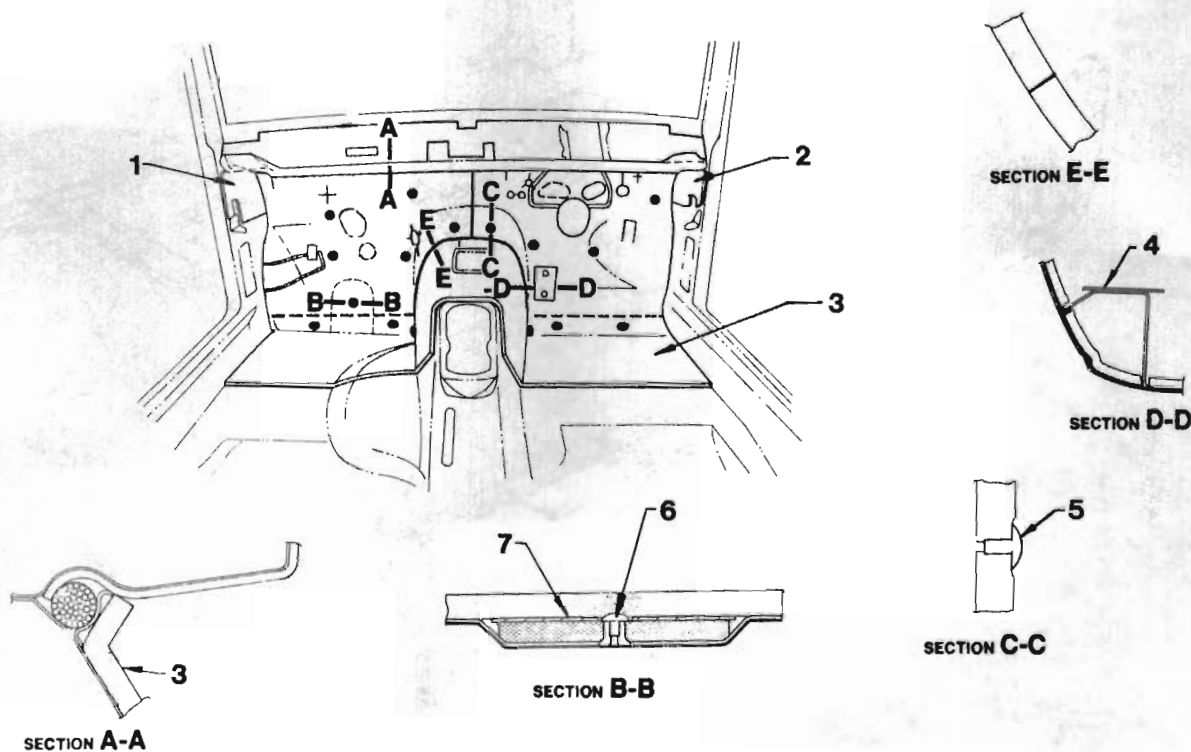


LUGGAGE COMPARTMENT TRIM
SEDAN
VL SERIES

REF. NO.	PART NAME	GROUP
1	CARPET ASM. - Wheelhouse, LH	15.222
2	CARPET ASM. - Wheelhouse, RH.....	15.222
3	CARPET ASM. - Rear	15.222
4	CARPET - Compartment floor	15.222
5	COVER - Spare wheel	12.579

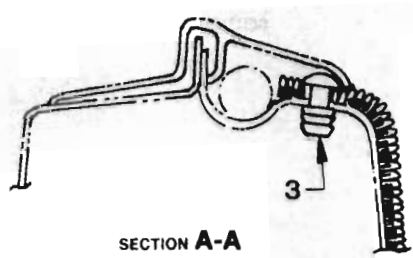
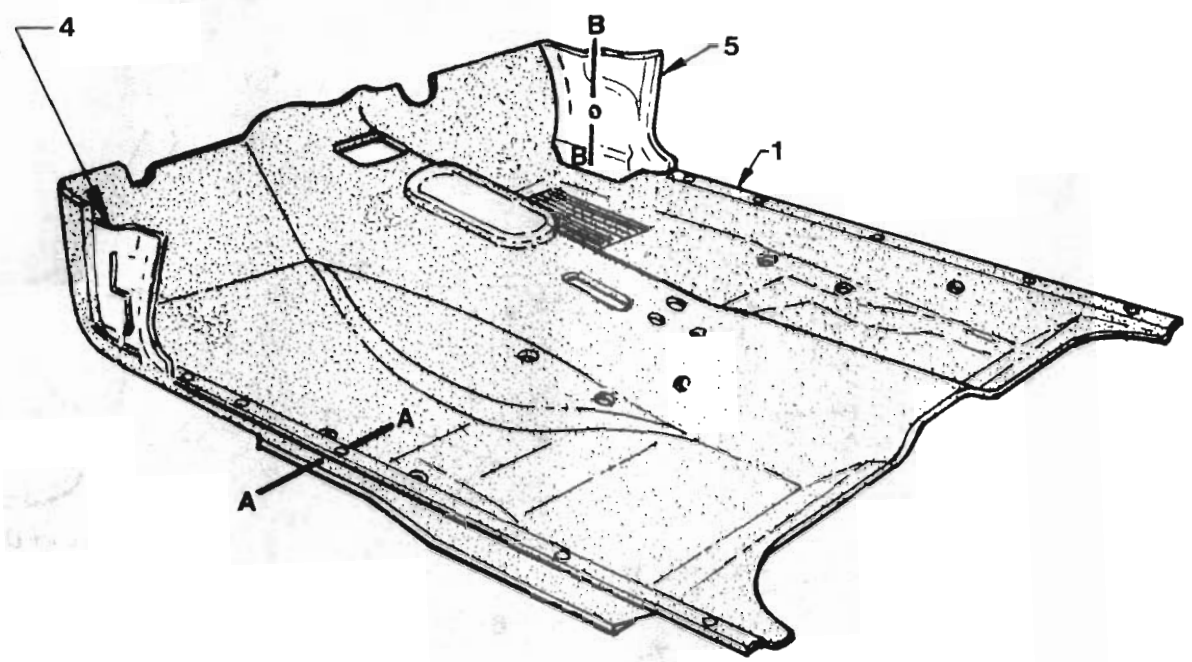


"V" SERIES PARTS CATALOGUE

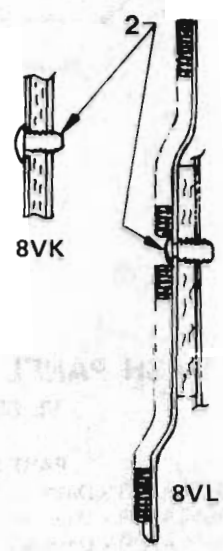


DASH PANEL INSULATORS VL SERIES

REF. NO.	PART NAME	GROUP
1	INSULATOR - Dash panel, Cowl side, LH	15.280
2	INSULATOR - Dash panel, Cowl side, RH.....	15.280
3	INSULATOR - Dash & front floor.....	15.280
4	PAD - Footrest.....	12.980
5	RETAINER - Dash panel insulator to floor & cowl.....	15.280
6	FASTENER - Front floor filler to floor.....	15.300
7	FILLER - Front floor insulator.....	15.286



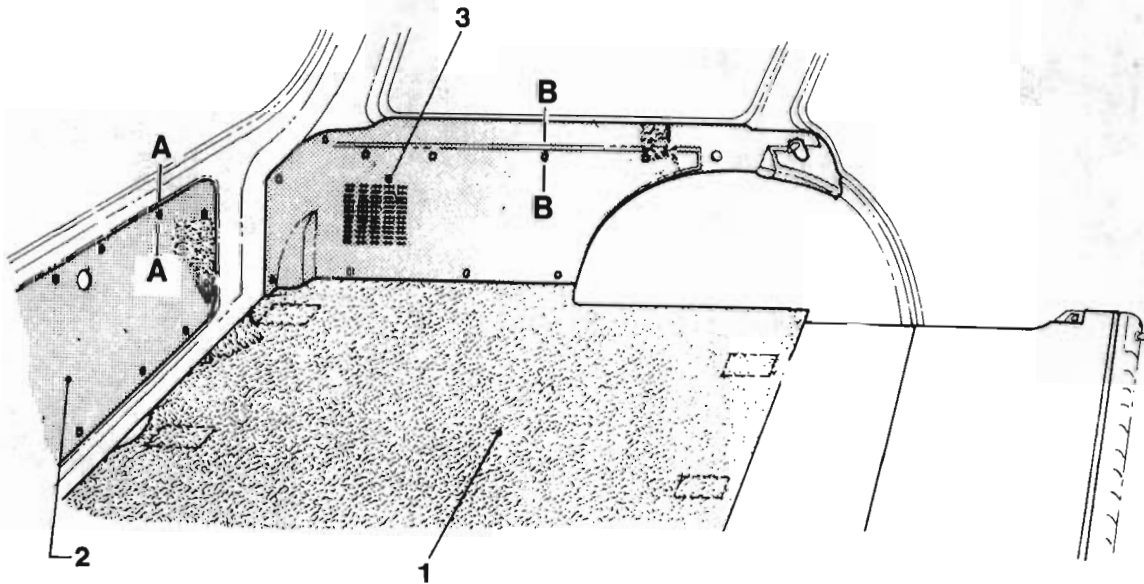
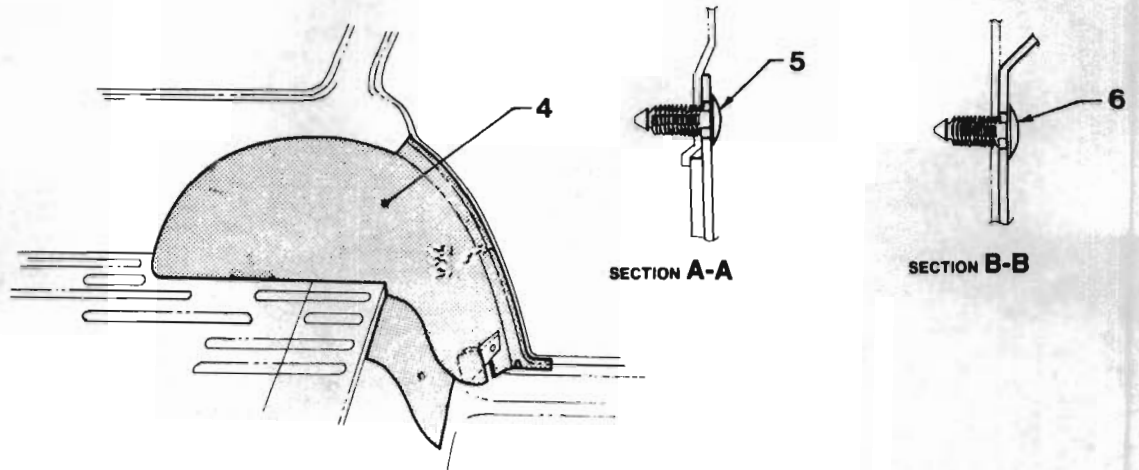
SECTION A-A



SECTION B-B

**FLOOR CARPETS
VL SERIES**

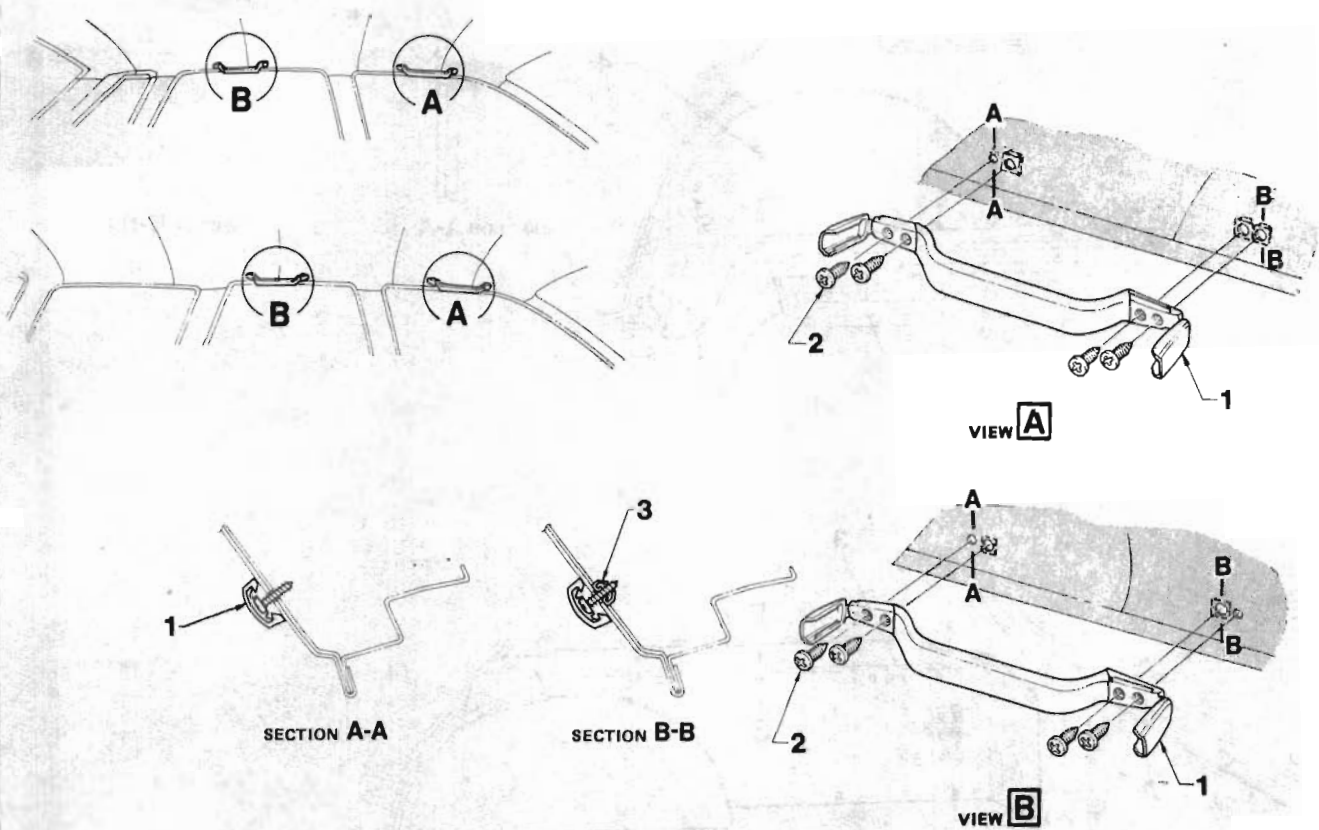
REF. NO.	PART NAME	GROUP
1	CARPET ASM. - One piece, Front & rear.....	15.286
2	FASTENER - Cowl side panel lower trim.....	14.630
3	BUTTON - Floor carpet attaching.....	15.300
4	TRIM ASM. - Cowl LH side panel, Lower.....	14.630
5	TRIM ASM. - Cowl RH side panel, Lower.....	14.630



REAR COMPARTMENT TRIM

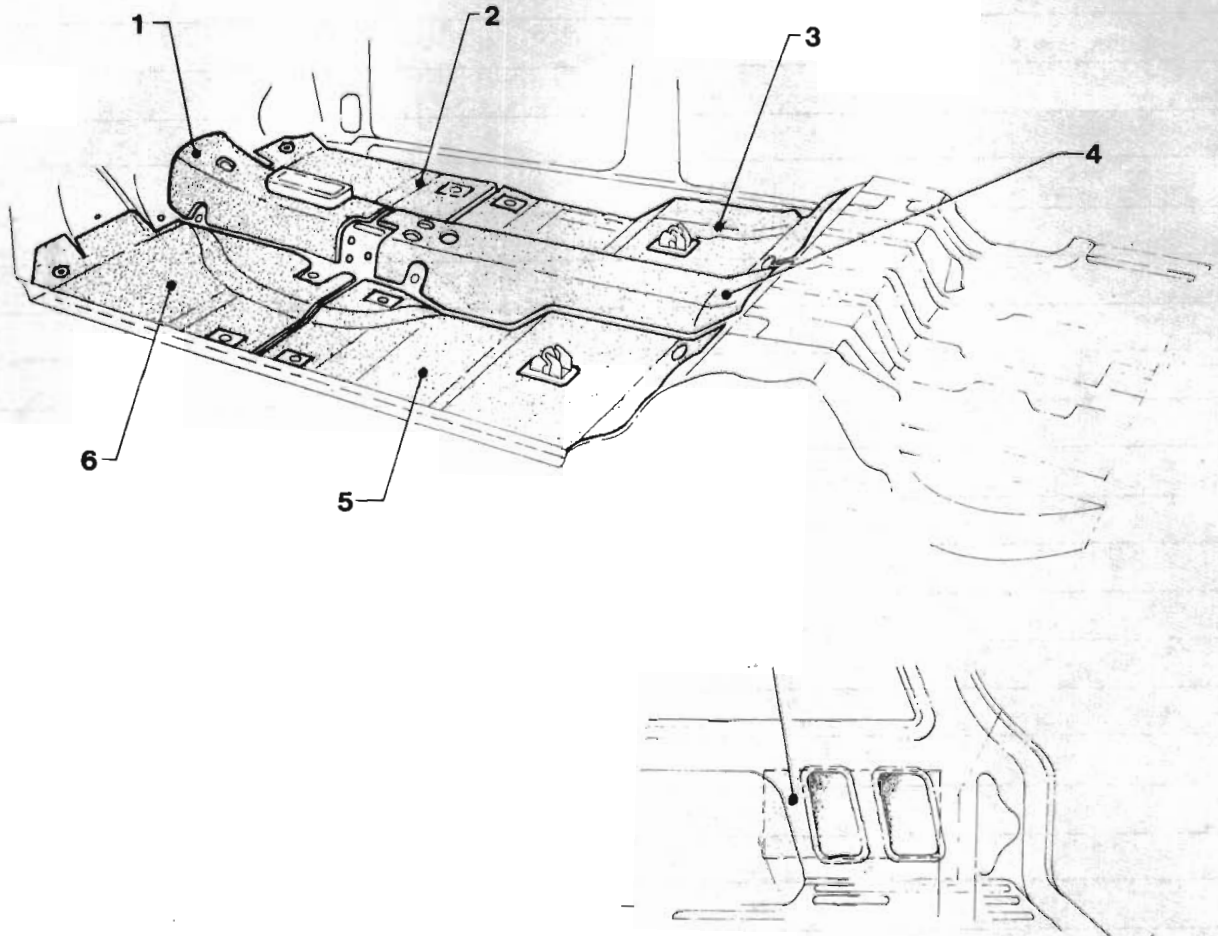
**WAGON
VL SERIES**

REF. NO.	PART NAME	GROUP
1	CARPET - Rear compartment floor	15.320
2	TRIM - End gate panel	15.320
3	TRIM - Rear quarter side, Lower	15.100
4	TRIM - Wheelhouse	15.099
5	FASTENER - End gate panel trim	15.320
6	FASTENER - Rear quarter side trim, Lower	15.100



ASSIST GRIP HANDLE
VL SERIES

REF. NO.	PART NAME	GROUP
1	HANDLE - Assist	15.390
2	SCREW - Assist handle.....	15.390
3	NUT - Assist handle.....	15.390



WAGON

**DEADENERS
VL SERIES**

REF. NO.	PART NAME	GROUP
1	DEADENER - Front tunnel.....	15.492
2	DEADENER - Front floor, RH.....	15.492
3	DEADENER - Rear floor, RH.....	15.492
4	DEADENER - Rear tunnel.....	15.492
5	DEADENER - Rear floor, LH.....	15.492
6	DEADENER - Front floor, LH.....	15.492
7	DEADENER - Rear compartment side.....	15.492

VL Series – Parts Catalogue – Illustrations

Holden. Australia's Driving Future.

